



US00D755122S

(12) **United States Design Patent**
Gecawicz et al.

(10) **Patent No.:** **US D755,122 S**
(45) **Date of Patent:** **** May 3, 2016**

- (54) **MULTI-BAY BATTERY CHARGER**
- (71) Applicants: **Raymond Gecawicz**, Acton, MA (US);
William Kyle, Reading, MA (US)
- (72) Inventors: **Raymond Gecawicz**, Acton, MA (US);
William Kyle, Reading, MA (US)
- (**) Term: **15 Years**
- (21) Appl. No.: **29/541,855**
- (22) Filed: **Oct. 8, 2015**
- (51) **LOC (10) Cl.** **13-02**
- (52) **U.S. Cl.**
USPC **D13/107**
- (58) **Field of Classification Search**
USPC D13/107–110, 118–119, 184, 199;
D14/251, 253, 432, 434
CPC Y02E 60/12; Y02T 90/14; Y02T 90/122;
Y02T 90/128; Y02T 90/163; H02J 7/025;
H02J 7/0042; H02J 7/0044; H02J 7/0045;
H02J 7/0003; H01F 38/14; H01R 13/6675;
H01M 2/1022; H01M 2/1055; H01M 10/44;
H01M 10/46; H01M 10/425; B60L 11/182
See application file for complete search history.

- D530,667 S * 10/2006 Viduya D13/107
- D554,107 S 10/2007 Calco et al.
- D588,536 S * 3/2009 Wahl D13/108
- D601,953 S * 10/2009 Asai D13/107
- D609,637 S * 2/2010 Chu D13/108
- D626,537 S 11/2010 Lee
- D629,355 S * 12/2010 Bodley D13/108
- D631,435 S * 1/2011 Cacioppo D13/107
- D638,020 S 5/2011 Johnson et al.
- D638,790 S 5/2011 Daniel
- 7,956,573 B1 * 6/2011 Rosen H02J 7/0045
320/107
- D653,206 S 1/2012 Heine et al.
- 8,169,191 B2 * 5/2012 Werthman A61B 5/0002
320/107
- D680,066 S * 4/2013 Kinoshita D13/107
- 8,454,190 B2 * 6/2013 Hau F21S 6/001
320/108
- D692,824 S 11/2013 Fiaschetti

(Continued)

Primary Examiner — Rosemary K Tarcza
(74) *Attorney, Agent, or Firm* — Thomas P. O’Connell;
O’Connell Law Firm

(57) **CLAIM**
We claim the ornamental design for a multi-bay battery charger, as shown and described.

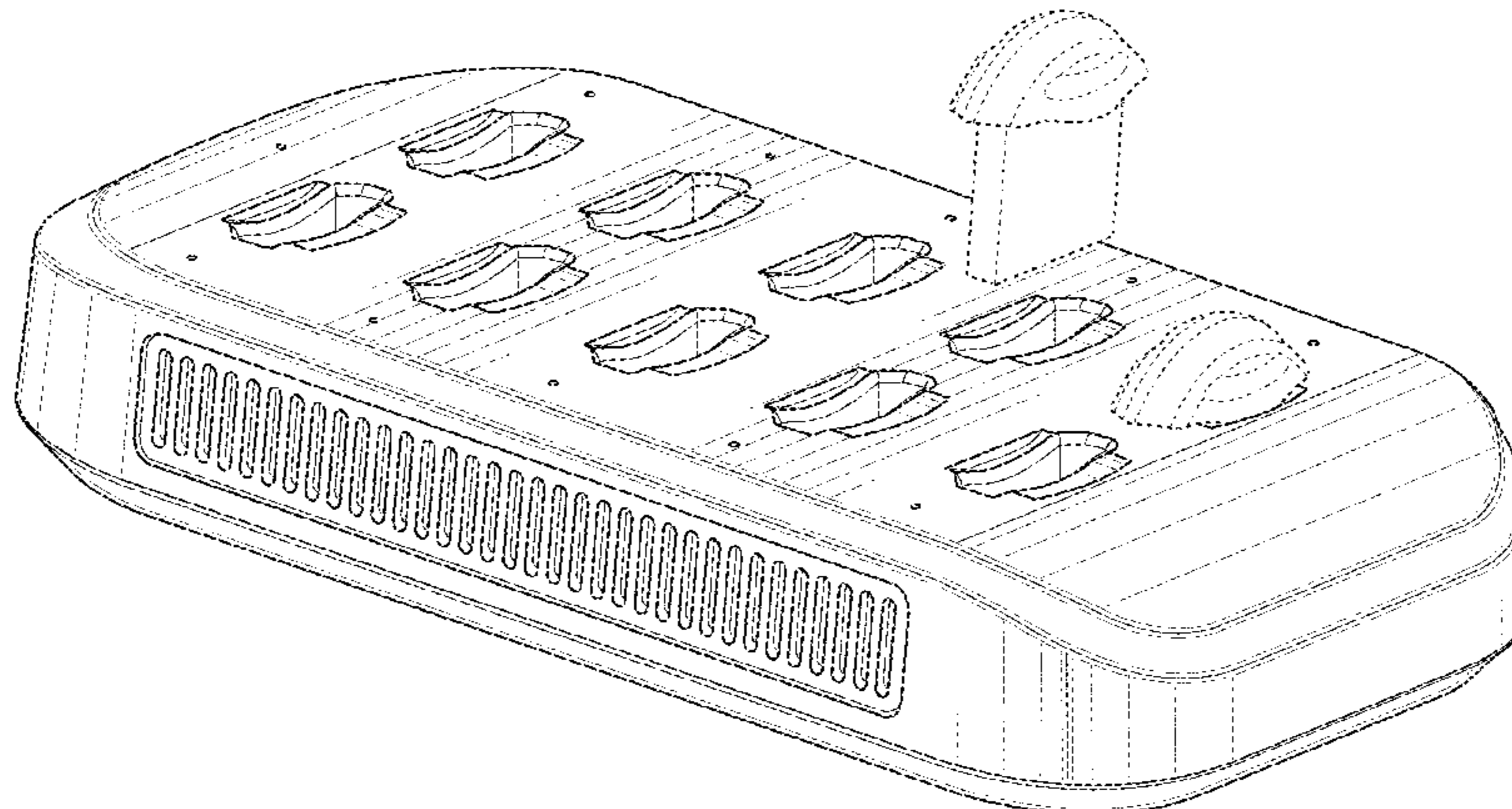
DESCRIPTION

FIG. 1 is a perspective view of a multi-bay battery charger showing our design with a first battery received in a battery bay and a second battery positioned for insertion into a battery bay, the batteries forming no part of the claimed design; FIG. 2 is a top plan view thereof; FIG. 3 is a bottom plan view thereof; FIG. 4 is a view in left side elevation thereof; FIG. 5 is a view in right side elevation thereof; FIG. 6 is a view in front elevation thereof; and, FIG. 7 is a view in rear elevation thereof. The batteries and the port shown in broken lines are for illustrative purposes only and do not form a part of the claimed design.

1 Claim, 5 Drawing Sheets

(56) **References Cited**
U.S. PATENT DOCUMENTS

- D278,426 S 4/1985 Lanci et al.
- D278,702 S 5/1985 Chiodo et al.
- D278,703 S 5/1985 Chiodo et al.
- D278,704 S * 5/1985 Claxton D13/107
- D322,060 S 12/1991 Iino
- D348,046 S * 6/1994 Hulsebus D13/119
- D350,329 S 9/1994 Lindeman et al.
- D397,084 S * 8/1998 Siddoway D13/107
- D446,184 S 8/2001 Parker
- D476,659 S * 7/2003 Ying D14/434
- D506,725 S * 6/2005 Watson D13/108
- D510,562 S * 10/2005 Lodato D13/108
- D520,447 S * 5/2006 Liu D13/108
- D526,995 S 8/2006 Claxton et al.
- D528,072 S * 9/2006 Chen D13/108



(56)

References Cited

U.S. PATENT DOCUMENTS

D702,631 S	4/2014	Esses	
D710,797 S *	8/2014	Awiszus	D13/107
D710,798 S	8/2014	Awiszus et al.	
D712,828 S	9/2014	Delrue et al.	
D720,696 S *	1/2015	Huang	D13/119
D722,957 S	2/2015	Kotaniemi et al.	
D727,256 S *	4/2015	Badie	D13/107
D730,284 S	5/2015	Dorn et al.	
D734,718 S *	7/2015	Fournier	D13/108
D736,703 S	8/2015	Kotaniemi et al.	
D743,884 S *	11/2015	Kotaniemi	D13/108
2004/0080298 A1	4/2004	Maggert et al.	
2007/0090788 A1 *	4/2007	Hansford	H01M 2/1055 320/107
2010/0060232 A1 *	3/2010	Boyles	H02J 7/0027 320/107

* cited by examiner

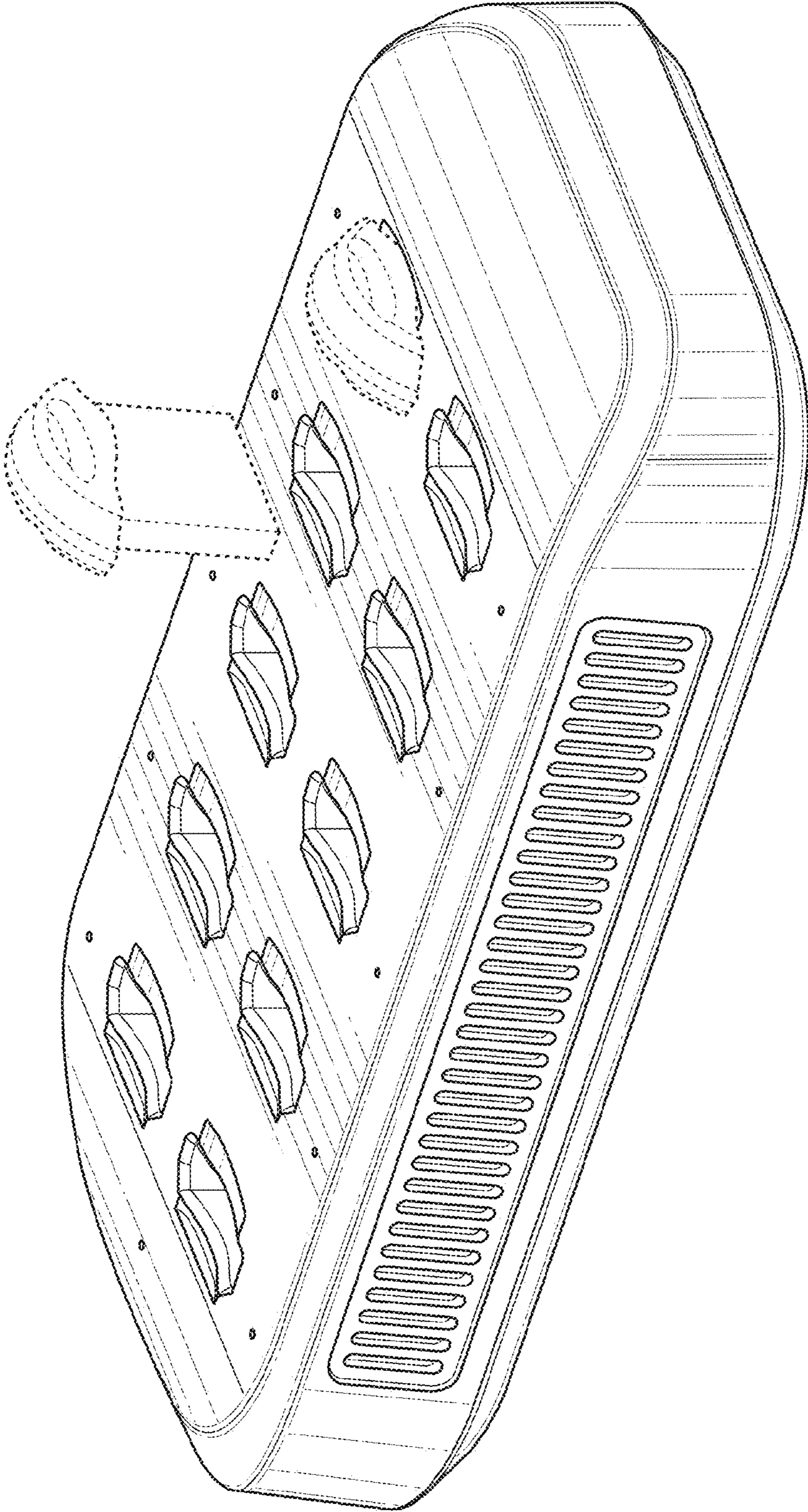


FIG. 1

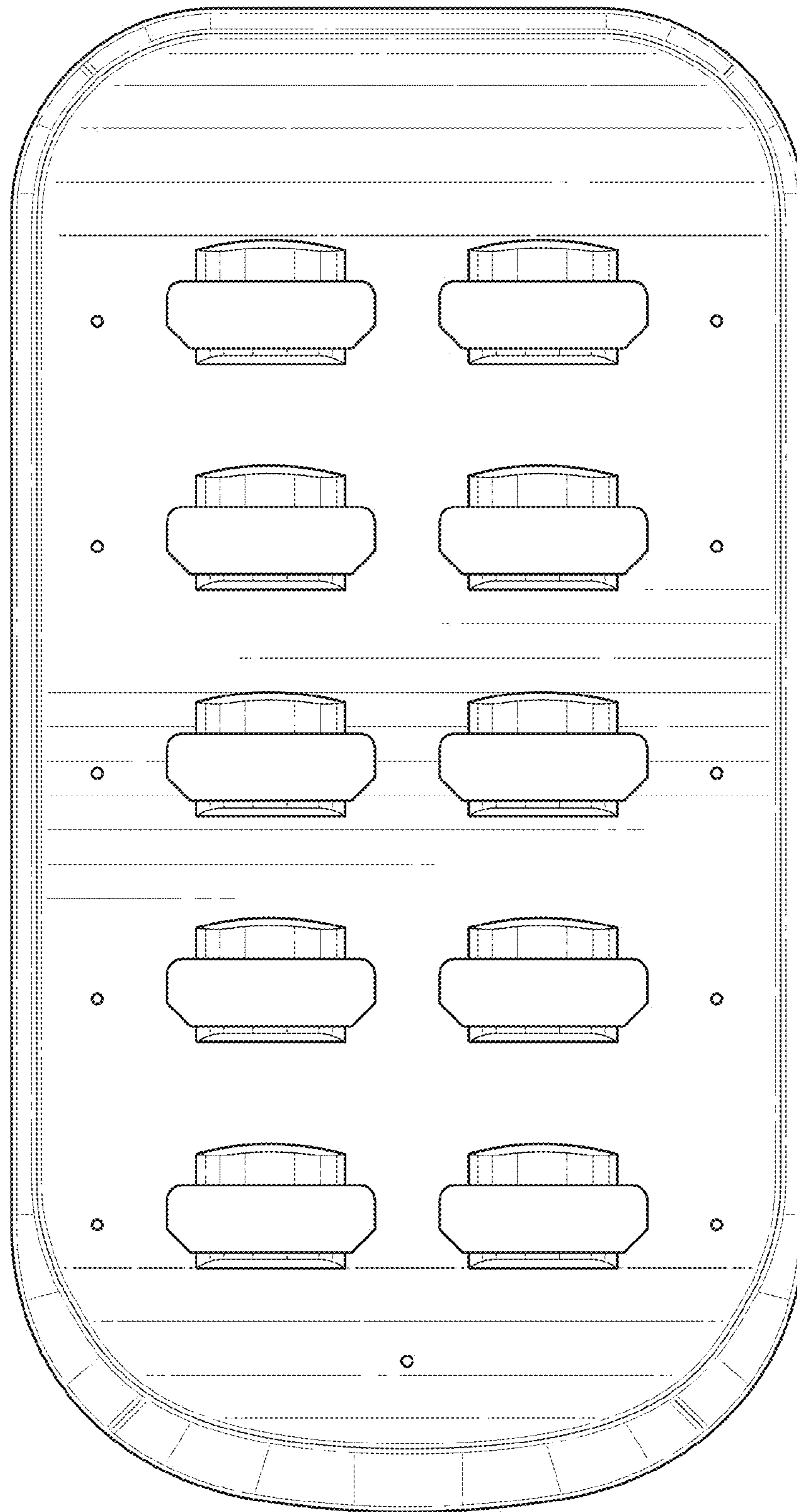


FIG. 2

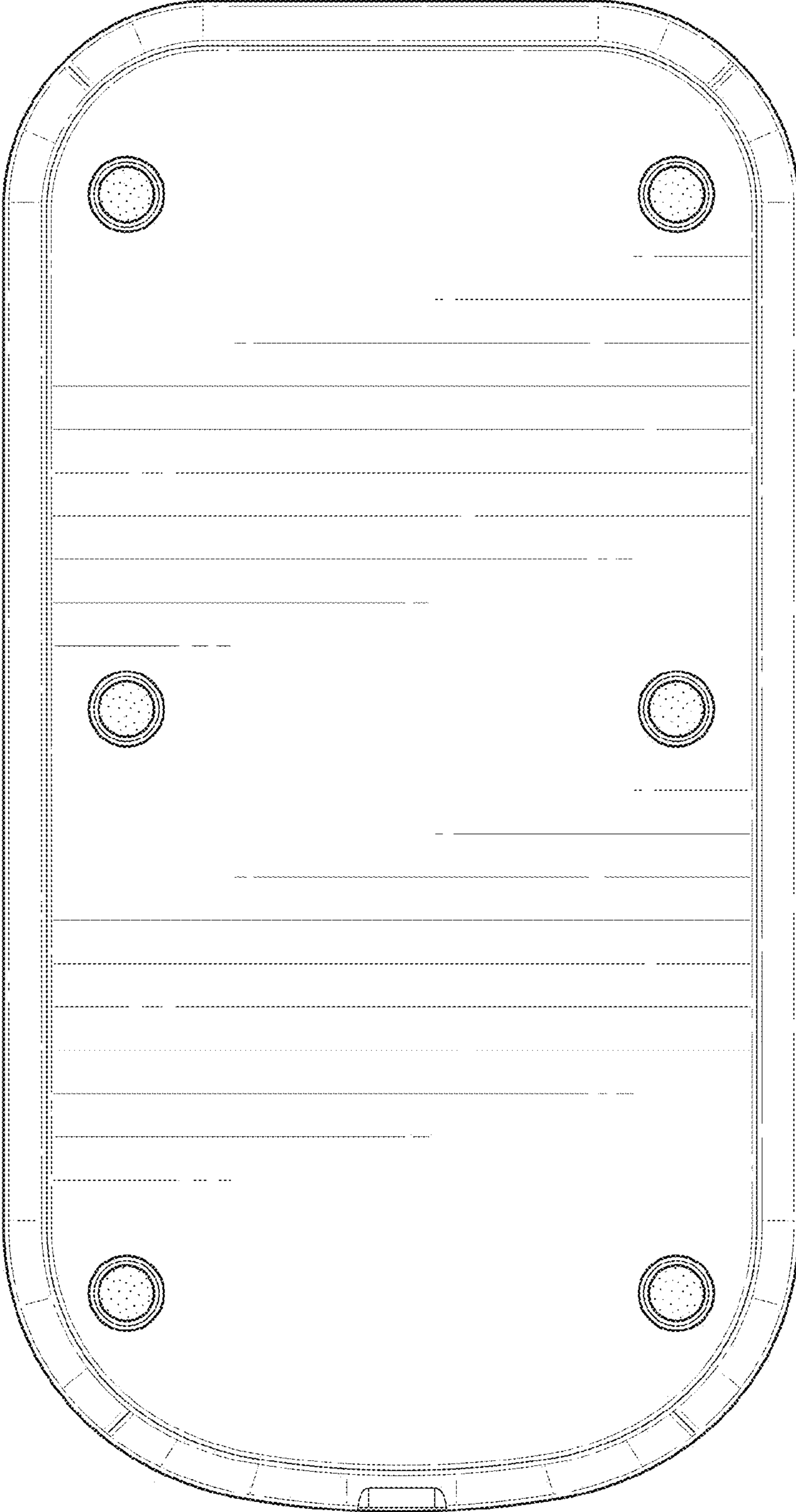


FIG. 3

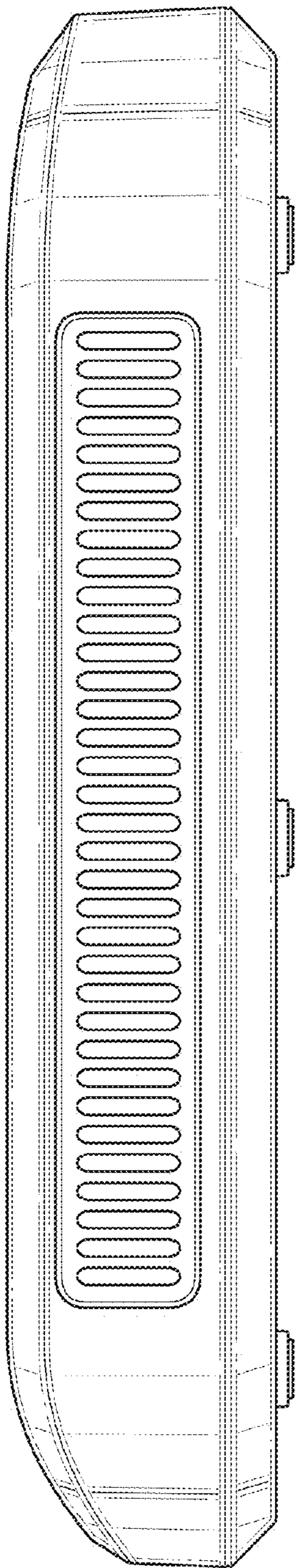


FIG. 4

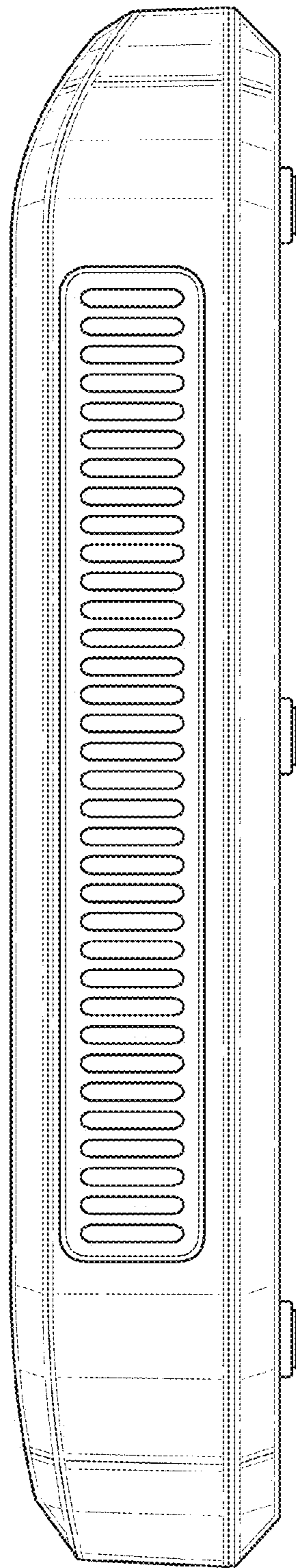


FIG. 5

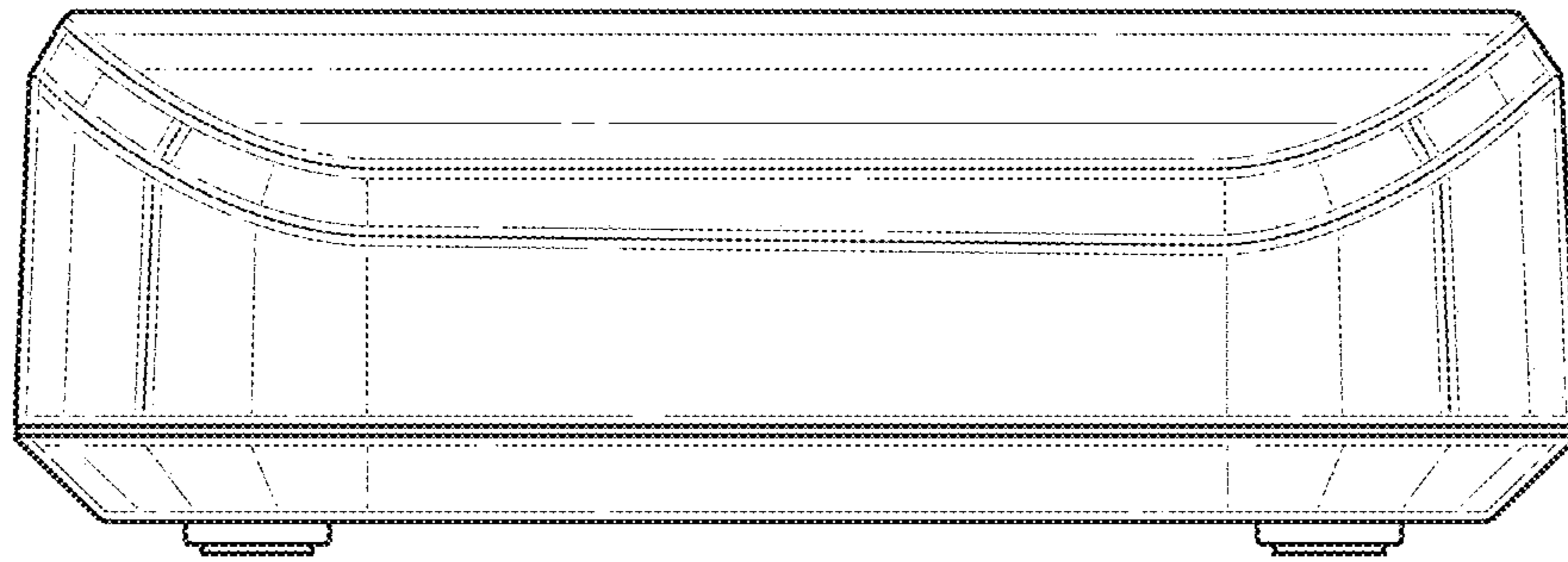


FIG. 6

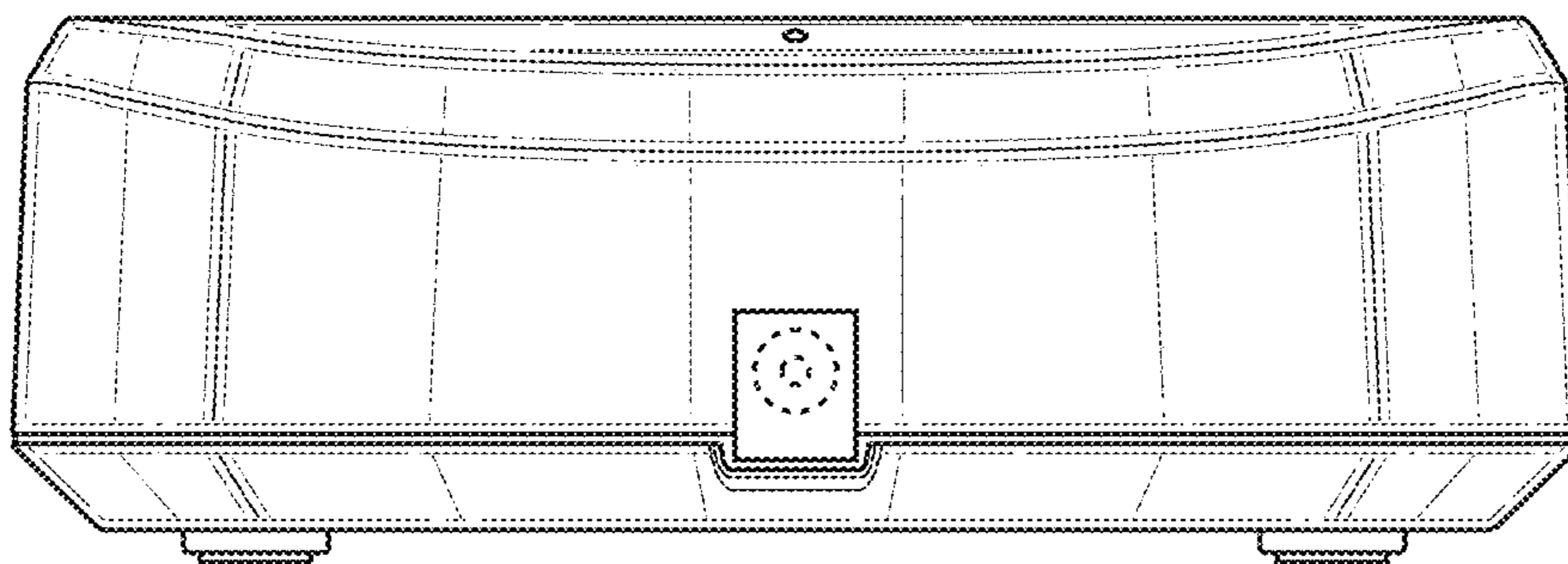


FIG. 7