



US00D755121S

(12) **United States Design Patent**
Barajas et al.

(10) **Patent No.:** **US D755,121 S**

(45) **Date of Patent:** **** May 3, 2016**

(54) **BATTERY CHARGER**

(71) Applicant: **TRAXXAS LP**, McKinney, TX (US)

(72) Inventors: **Jaime Felix Barajas**, Dallas, TX (US);
Terry Dale Soward, Van Alstyne, TX (US); **Kent Poteet**, Lucas, TX (US)

(73) Assignee: **TRAXXAS LP**, McKinney, TX (US)

(**) Term: **14 Years**

(21) Appl. No.: **29/503,563**

(22) Filed: **Sep. 26, 2014**

(51) **LOC (10) Cl.** **13-02**

(52) **U.S. Cl.**
USPC **D13/107**

(58) **Field of Classification Search**
USPC D13/103, 107, 108, 109, 110, 118, 119,
D13/123, 133, 182, 199; D14/188, 253,
D14/432, 434; 320/107, 108, 109, 110, 111,
320/112, 113, 114, 115; 439/131, 172, 626,
439/628, 638
CPC ... H01F 38/14; H01R 13/6675; B60L 11/182;
Y02T 90/122; Y02T 90/128; Y02T 90/163;
H02J 7/025; H02J 7/0042; H02J 7/0044;
H02J 7/0045; H02J 7/0003; H01M 10/44;
H01M 10/46; H01M 10/425
See application file for complete search history.

(56) **References Cited**

U.S. PATENT DOCUMENTS

D511,743 S *	11/2005	Hriscu et al.	D13/107
D523,557 S *	6/2006	Jones et al.	D24/155
D549,645 S *	8/2007	Prelec, Sr.	D13/108
D550,153 S *	9/2007	Lee	D13/108
D568,243 S *	5/2008	Jidaisho	D13/110
D573,089 S *	7/2008	Mandel et al.	D13/107
D575,225 S *	8/2008	Ahlgren	D13/107
D581,356 S *	11/2008	Ahlgren	D13/107
D587,269 S *	2/2009	Keeports et al.	D14/358
D606,936 S *	12/2009	Nakayama et al.	D13/110

D615,929 S *	5/2010	Maurer et al.	D13/137.4
D617,267 S *	6/2010	Li	D13/107
D624,013 S *	9/2010	Lingott	D13/107

(Continued)

OTHER PUBLICATIONS

“Traxxas 4amp NIMH Peak Detection Charger Review.” Published Jan. 3, 2015. YouTube. <https://www.youtube.com/watch?v=3Waio27VMlc>.*

(Continued)

Primary Examiner — Manpreet Matharu

Assistant Examiner — Suzanne Tisdell

(74) *Attorney, Agent, or Firm* — CARR Law Firm PLLC

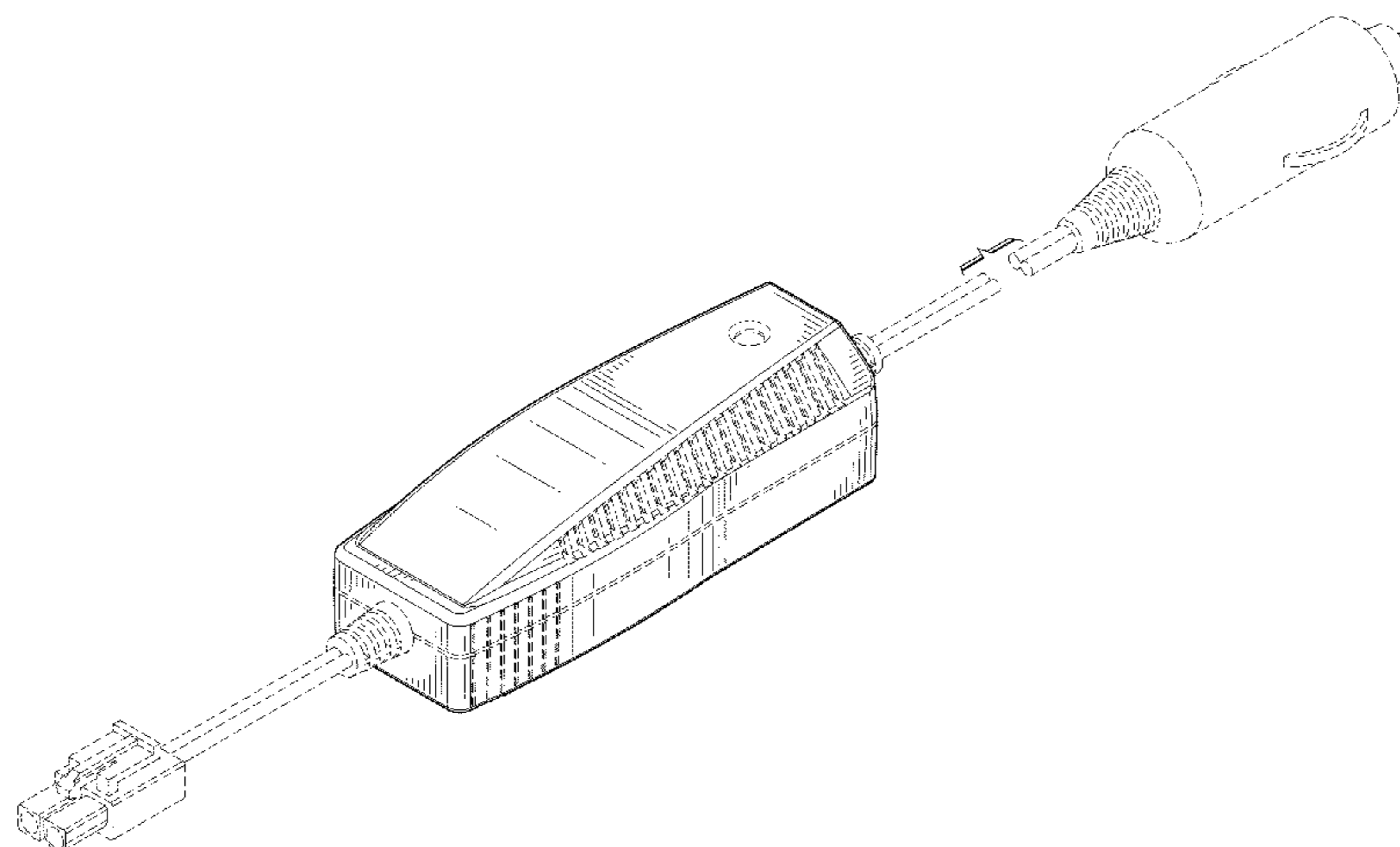
(57) **CLAIM**

We claim the ornamental design for a battery charger, as shown and described.

DESCRIPTION

FIG. 1 is a top, right, front perspective view of a battery charger;
FIG. 2 is a right side view thereof;
FIG. 3 is a left side view thereof;
FIG. 4 is a front view thereof;
FIG. 5 is a rear view thereof;
FIG. 6 is a top view thereof;
FIG. 7 is a bottom view thereof;
FIG. 8 is a top, right, front perspective view of a battery charger;
FIG. 9 is a right side view thereof;
FIG. 10 is a left side view thereof;
FIG. 11 is a front view thereof;
FIG. 12 is a rear view thereof;
FIG. 13 is a top view thereof; and,
FIG. 14 is a bottom view thereof.
Structural elements depicted by broken lines have been shown for the purpose of illustrating portions of the battery charger that form no part of the claimed design.

1 Claim, 6 Drawing Sheets



(56)

References Cited

U.S. PATENT DOCUMENTS

D624,014 S * 9/2010 Lingott D13/107
 D637,953 S * 5/2011 Huang et al. D13/108
 D654,854 S * 2/2012 Inskeep D13/107
 D654,867 S * 2/2012 Huppe D13/110
 D656,896 S * 4/2012 Fung D13/110
 D660,229 S * 5/2012 Tseng D13/110
 D666,972 S * 9/2012 Kuo D13/139.1
 D680,065 S * 4/2013 Shibamura et al. D13/107
 D693,295 S * 11/2013 Inskeep D13/107
 D693,762 S * 11/2013 Inskeep D13/107
 D694,180 S * 11/2013 Inskeep D13/107
 D696,188 S * 12/2013 Loeck et al. D13/108
 D716,730 S * 11/2014 Liu et al. D13/110
 D731,979 S * 6/2015 Edwards et al. D13/147

D736,704 S * 8/2015 Liu D13/108
 D739,354 S * 9/2015 Nook et al. D13/133
 D742,819 S * 11/2015 Nuovo et al. D13/107

OTHER PUBLICATIONS

“Traxxas 4amp DC Charger” First Communication: Jul. 2015. HobbyTown. <https://www.hobbytown.com/Shop/TRA2975-Traxxas-4-AMP-DC-Charger/>.
 “Traxxas 1/10 Slash 4x4 VXL DC 4 Amp Battery Car Charger with iD.” First Review: Feb. 7, 2015. <http://www.dollarhobbyz.com/traxxas-1-10-slash-4x4-vxl-dc-4-amp-battery-car-charger-with-id.html>.
 “Traxxas 4-amp NiMH Peak Detecting DC Charger” Accessed: Nov. 30, 2015. <http://www.bestbuy.ca/en-CA/product/traxxas-traxxas-4-amp-nimh-peak-detecting-dc-charger-2974/10327926.aspx>.

* cited by examiner

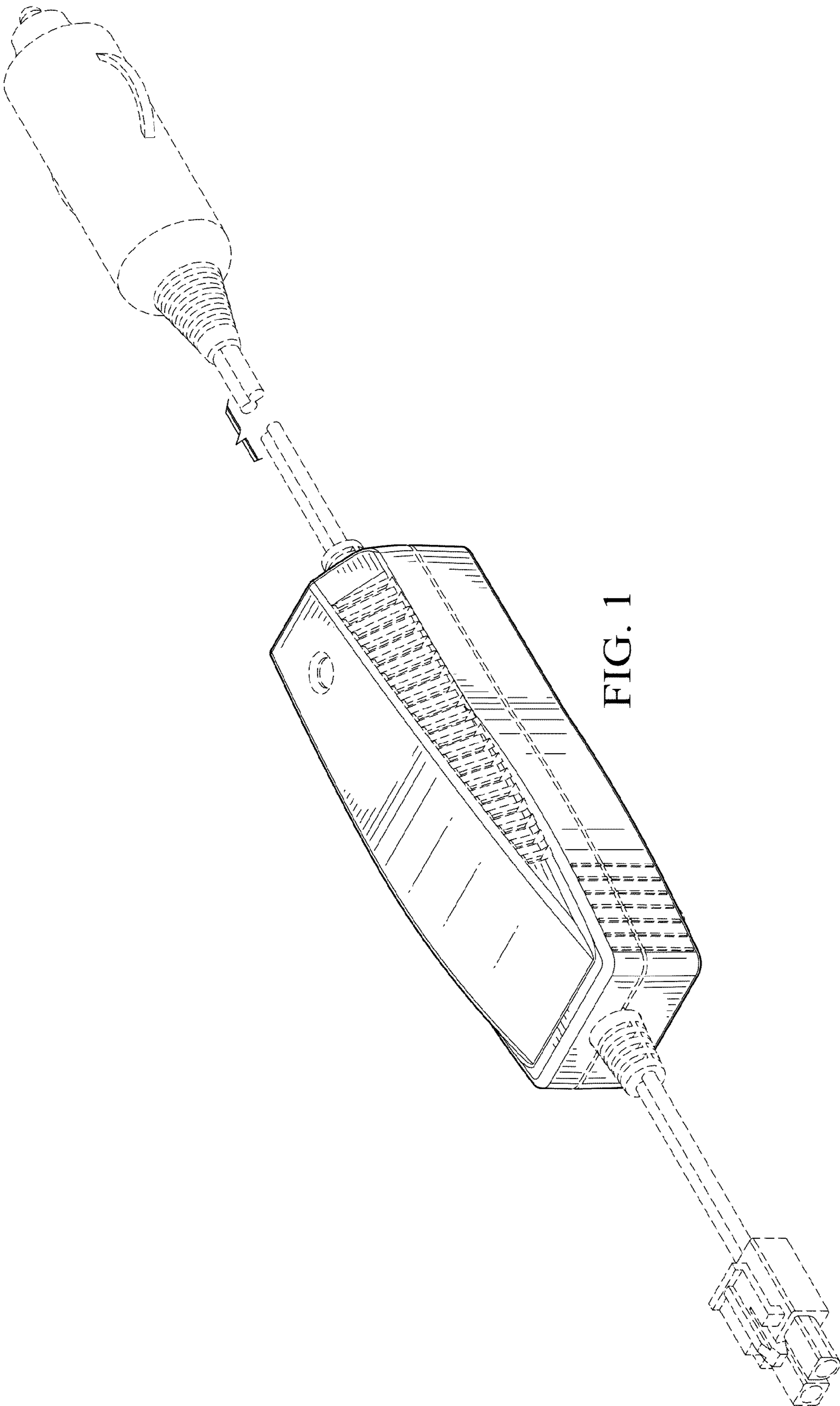


FIG. 1

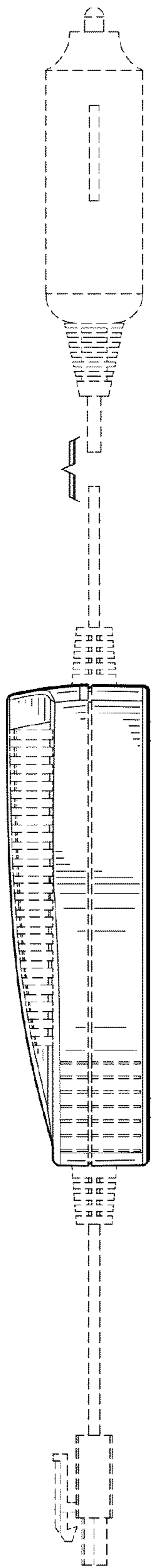


FIG. 2

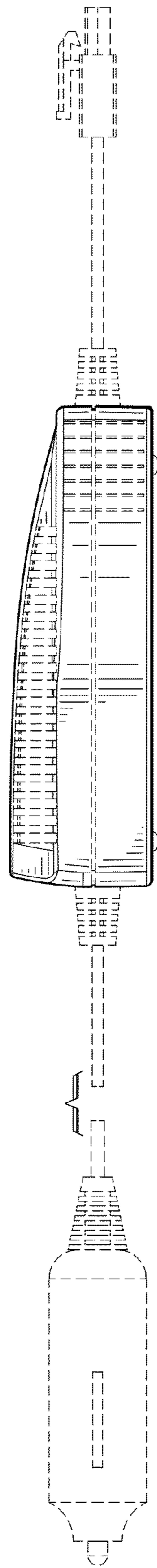


FIG. 3

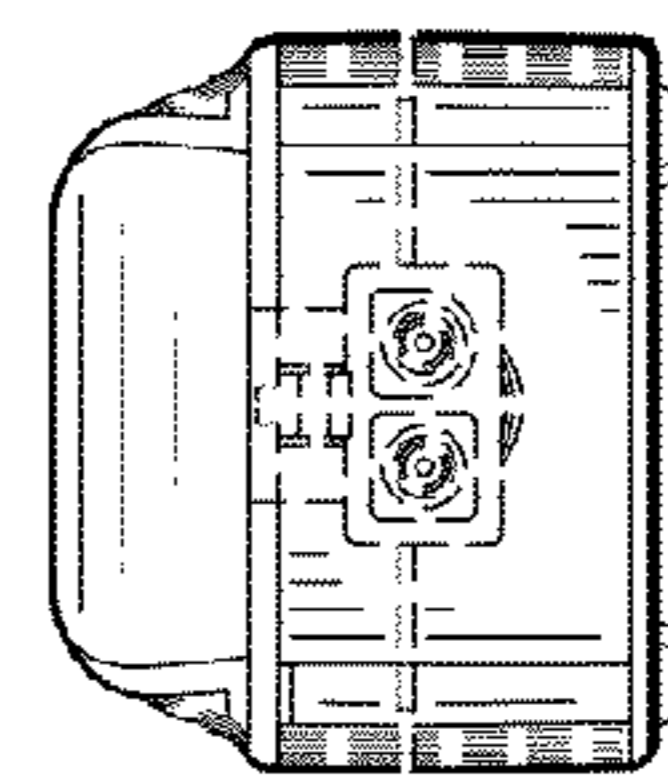


FIG. 4

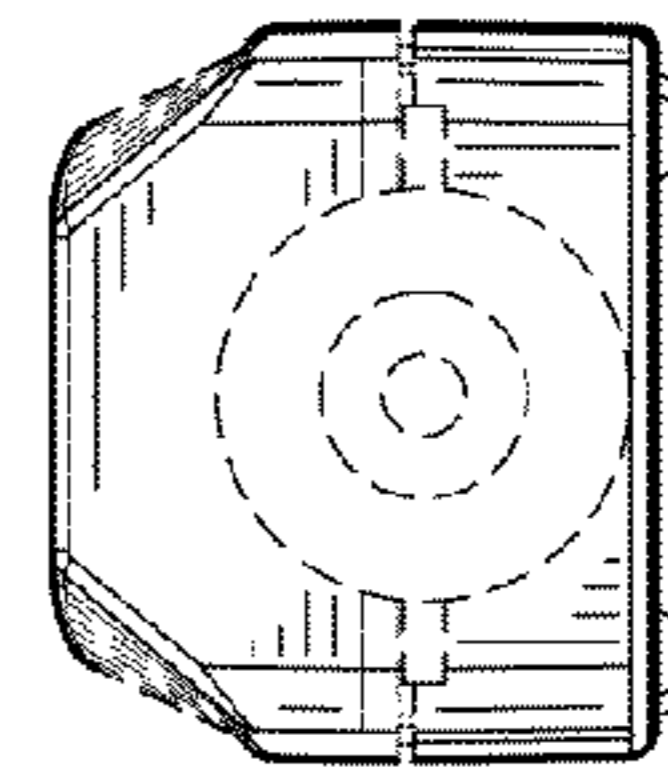


FIG. 5

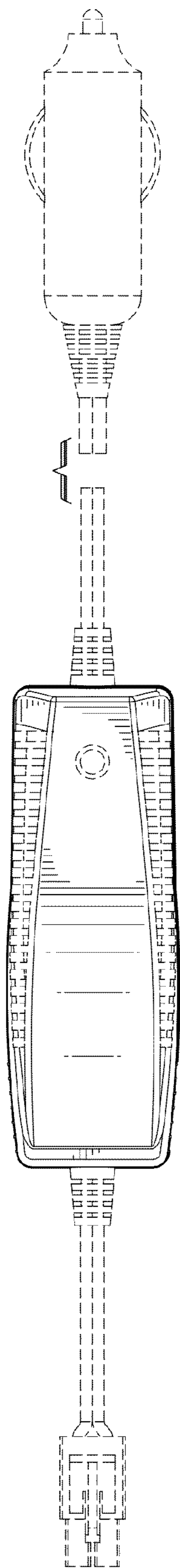


FIG. 6

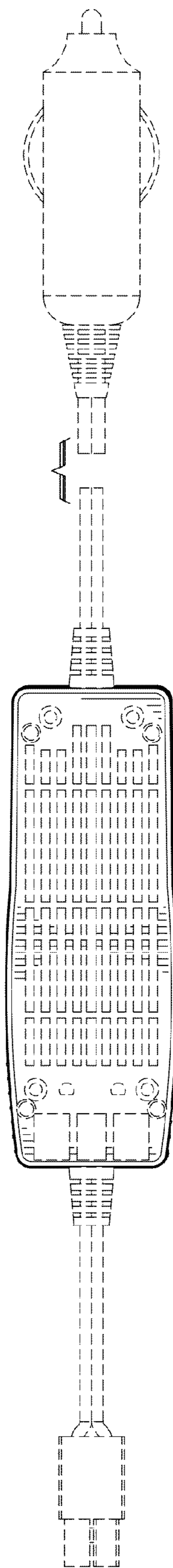


FIG. 7

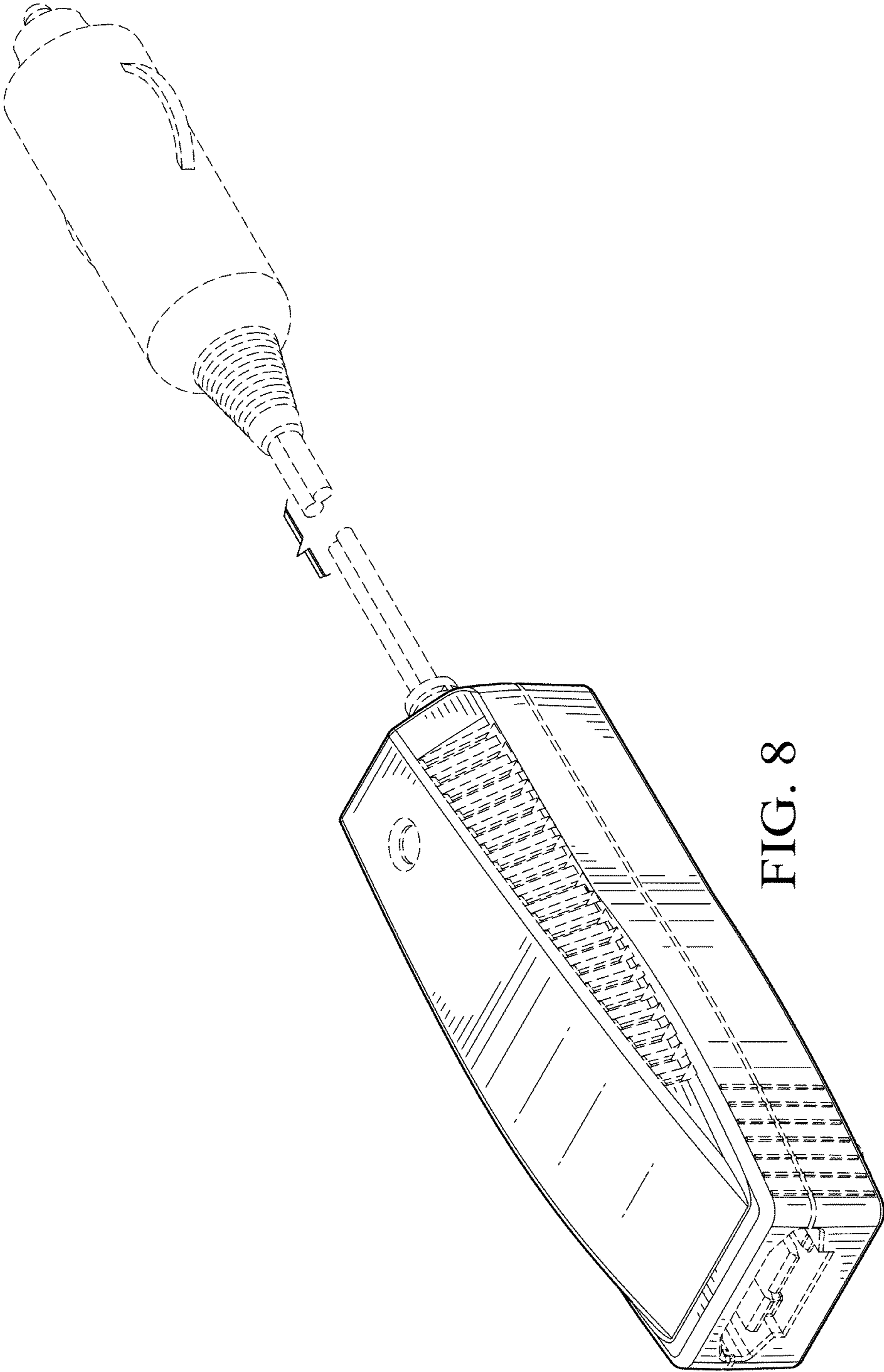


FIG. 8

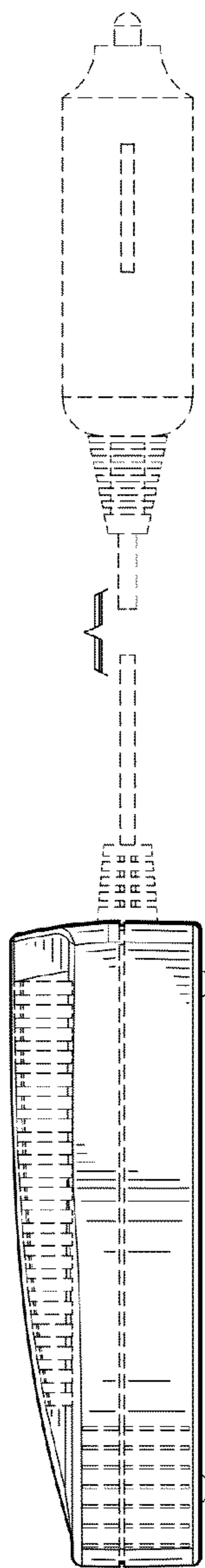


FIG. 9

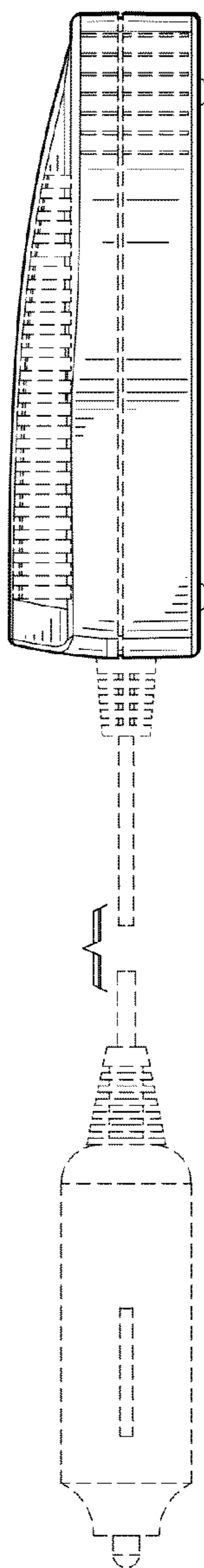


FIG. 10

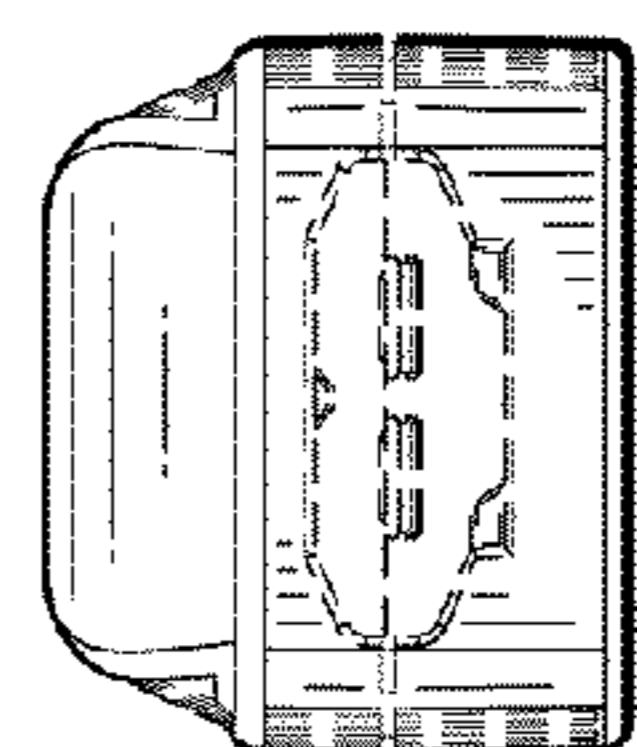


FIG. 11

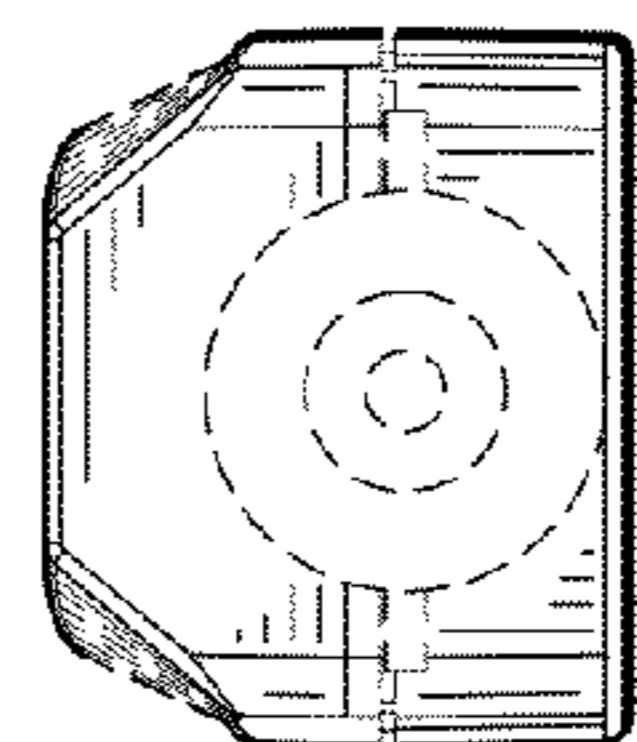


FIG. 12

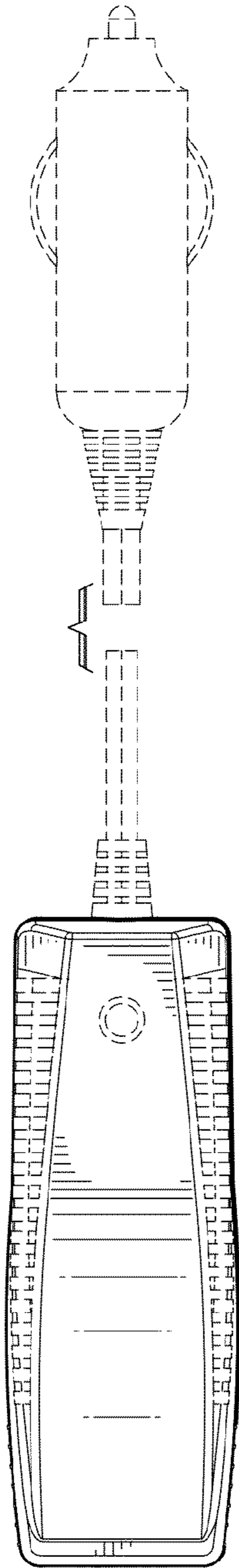


FIG. 13

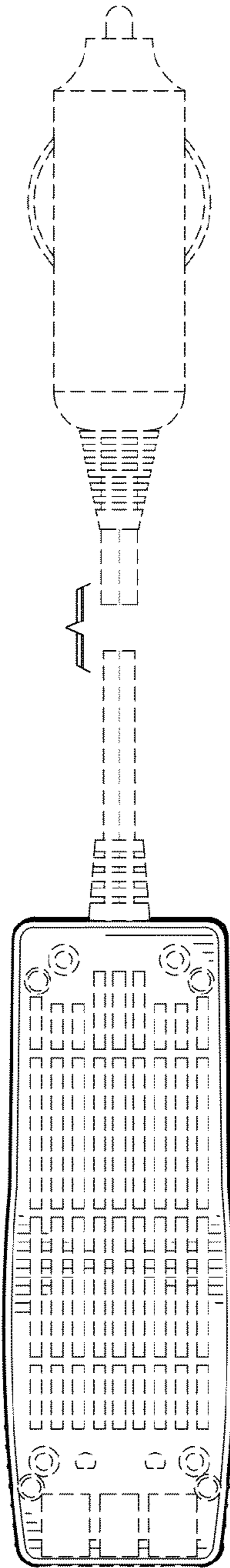


FIG. 14