



US00D755120S

(12) **United States Design Patent**
Pauschitz

(10) **Patent No.:** **US D755,120 S**

(45) **Date of Patent:** **** May 3, 2016**

- (54) **SOLAR POWER MODULE**
- (71) Applicant: **Smart Flower Energy Technology GmbH, Gussing (AT)**
- (72) Inventor: **Christoph Pauschitz, Vienna (AT)**
- (73) Assignee: **Smart Flower Energy Technology GmbH, Gussing (AT)**

(**) Term: **14 Years**

(21) Appl. No.: **29/510,798**

(22) Filed: **Dec. 3, 2014**

(30) **Foreign Application Priority Data**

Jun. 4, 2014 (EM) 002476267-0001

(51) **LOC (10) Cl.** **13-02**

(52) **U.S. Cl.**
USPC **D13/102**

(58) **Field of Classification Search**
USPC 126/580, 581, 611, 621, 622, 623;
136/200, 243, 244, 245, 251, 256, 291;
438/66, 72, 80; D13/101, 102, 103,
D13/107, 110, 184, 199
CPC Y02E 10/50; Y02E 10/544; H01L 31/042;
H02S 30/20
See application file for complete search history.

(56) **References Cited**

U.S. PATENT DOCUMENTS

- 4,030,102 A * 6/1977 Kaplan et al. 343/915
- 4,552,438 A * 11/1985 Murphy 359/847
- 4,811,034 A * 3/1989 Kaminskas 343/915
- 5,090,399 A * 2/1992 Tarcici 126/682
- 5,296,044 A * 3/1994 Harvey et al. 136/245
- D443,409 S * 6/2001 Pilz et al. D3/5

- D530,269 S * 10/2006 Fowler et al. D13/102
- 7,138,960 B2 * 11/2006 Carroll et al. 343/882
- 8,111,034 B2 * 2/2012 Fowler 320/101
- 8,230,685 B2 * 7/2012 Lin 60/641.8
- D680,949 S 4/2013 Swatek
- D688,621 S * 8/2013 Mozzardi et al. D13/102
- 8,664,511 B2 3/2014 Swatek et al.
- D703,939 S * 5/2014 Akin et al. D3/5
- D712,824 S 9/2014 Pauschitz
- D724,524 S * 3/2015 Garrett-Schesch D13/102
- 2004/0069341 A1 * 4/2004 Heidrich 136/244
- 2009/0126775 A1 * 5/2009 White et al. 136/245
- 2009/0283132 A1 * 11/2009 Huang 136/245
- 2009/0293933 A1 * 12/2009 Clark 136/245
- 2010/0154860 A1 * 6/2010 Fereday 136/245
- 2012/0216850 A1 * 8/2012 Chu 136/245
- 2013/0082637 A1 * 4/2013 Eaton et al. 320/101
- 2013/0327371 A1 * 12/2013 Hui et al. 136/245
- 2015/0059825 A1 * 3/2015 Swatek et al. 136/245

* cited by examiner

Primary Examiner — Derrick Holland

Assistant Examiner — Jennifer O King

(74) *Attorney, Agent, or Firm* — Hoffmann & Baron, LLP

(57) **CLAIM**

The ornamental design for a solar power module, as shown and described.

DESCRIPTION

FIG. 1 is a rear perspective view of a solar power module shown in a closed position;

FIG. 2 is a front view thereof;

FIG. 3 is a right side elevational view thereof;

FIG. 4 is a rear view thereof;

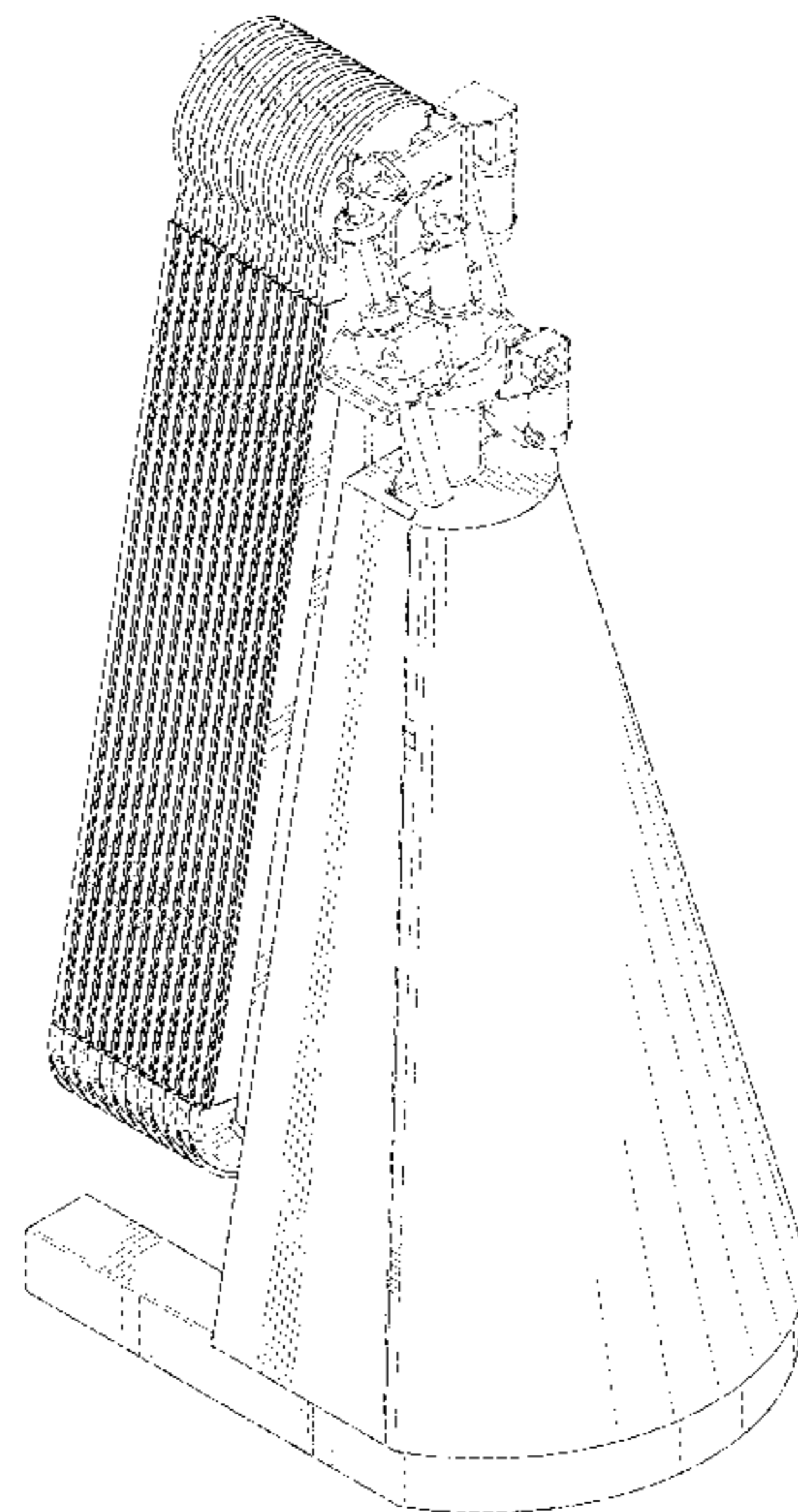
FIG. 5 is a left side elevational view thereof;

FIG. 6 is a top plan view thereof; and,

FIG. 7 is a bottom plan view thereof.

The broken lines shown represent unclaimed subject matter and form no part of the claimed design.

1 Claim, 7 Drawing Sheets



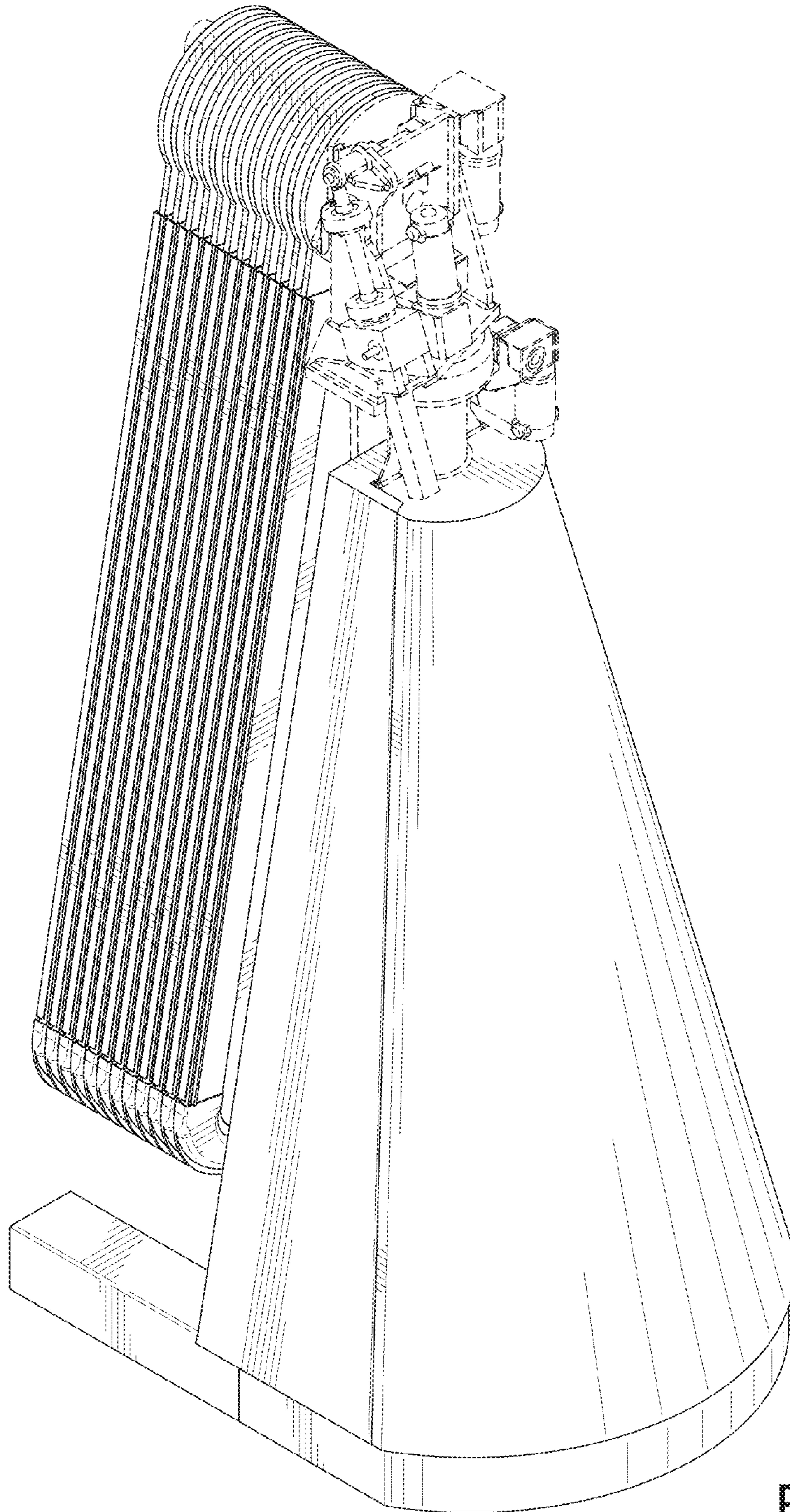


FIG. 1

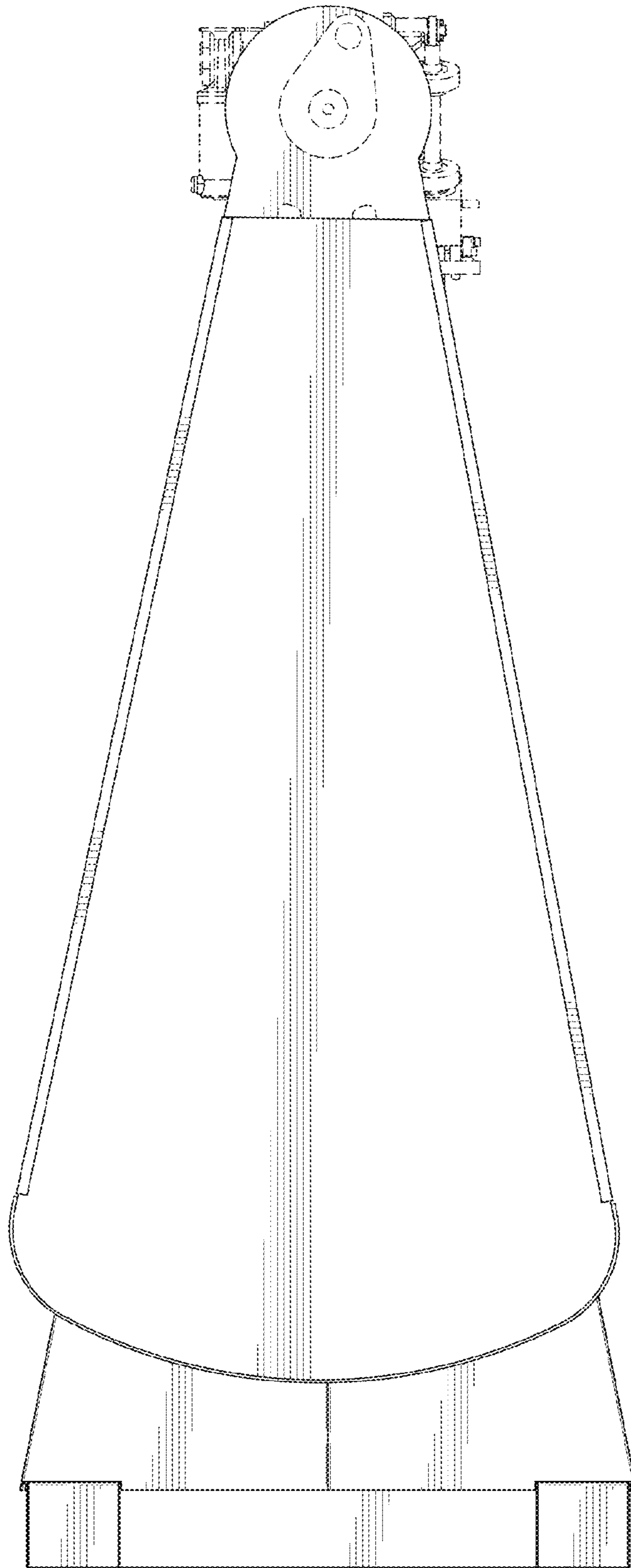


FIG. 2

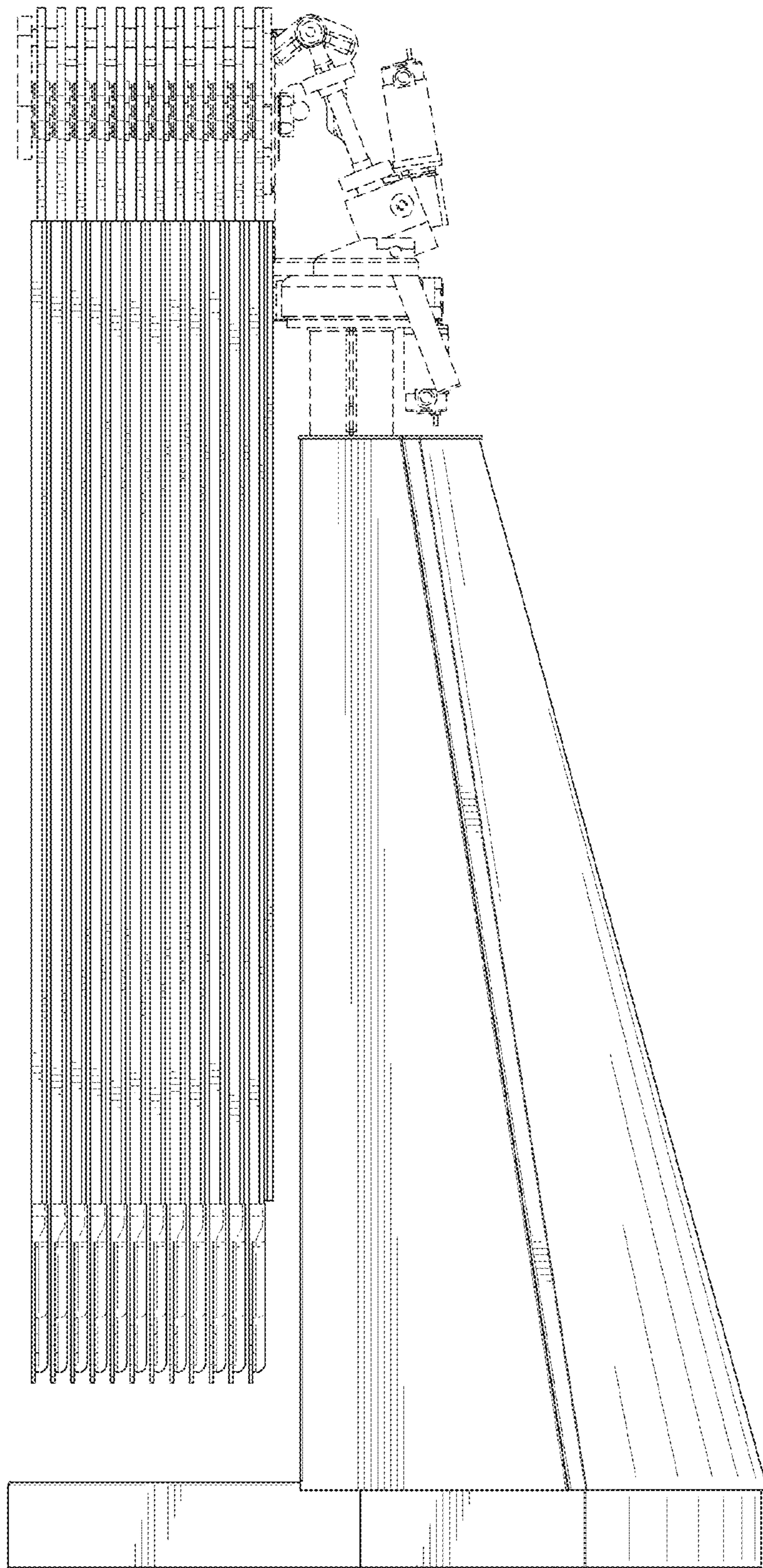


FIG. 3

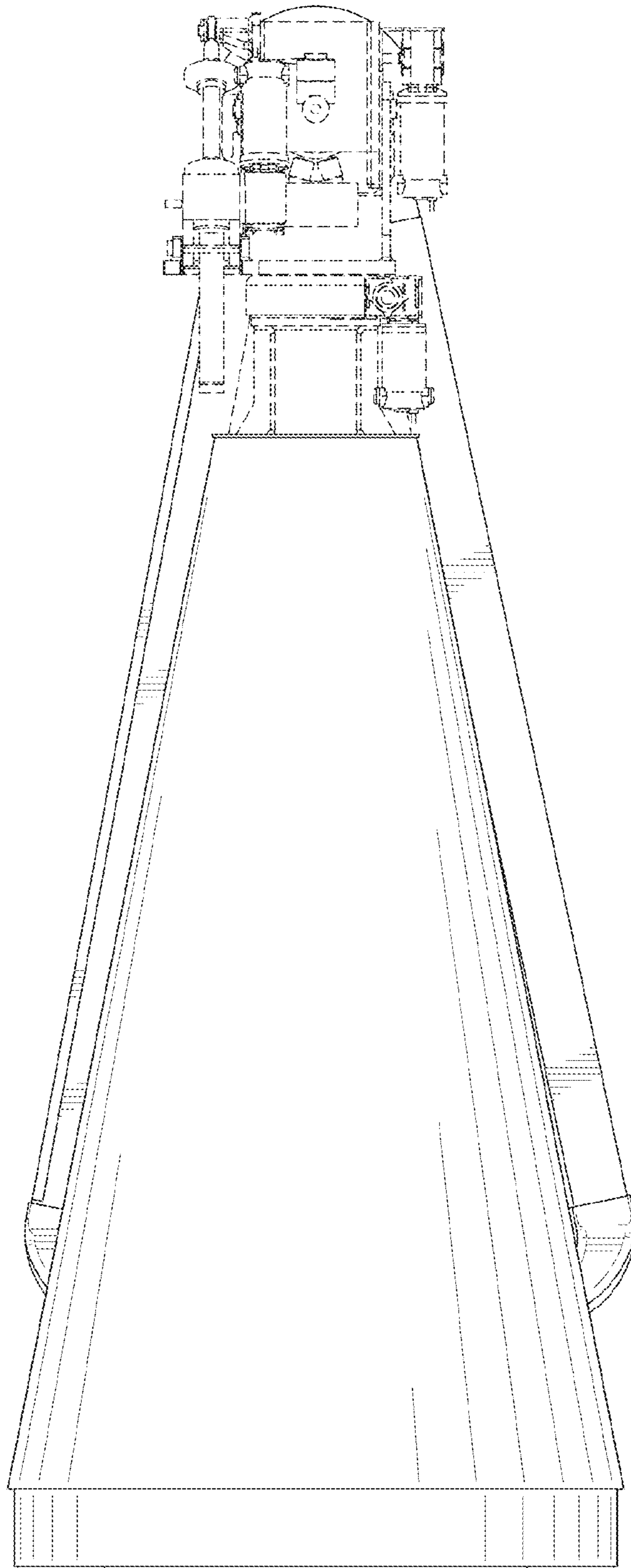


FIG. 4

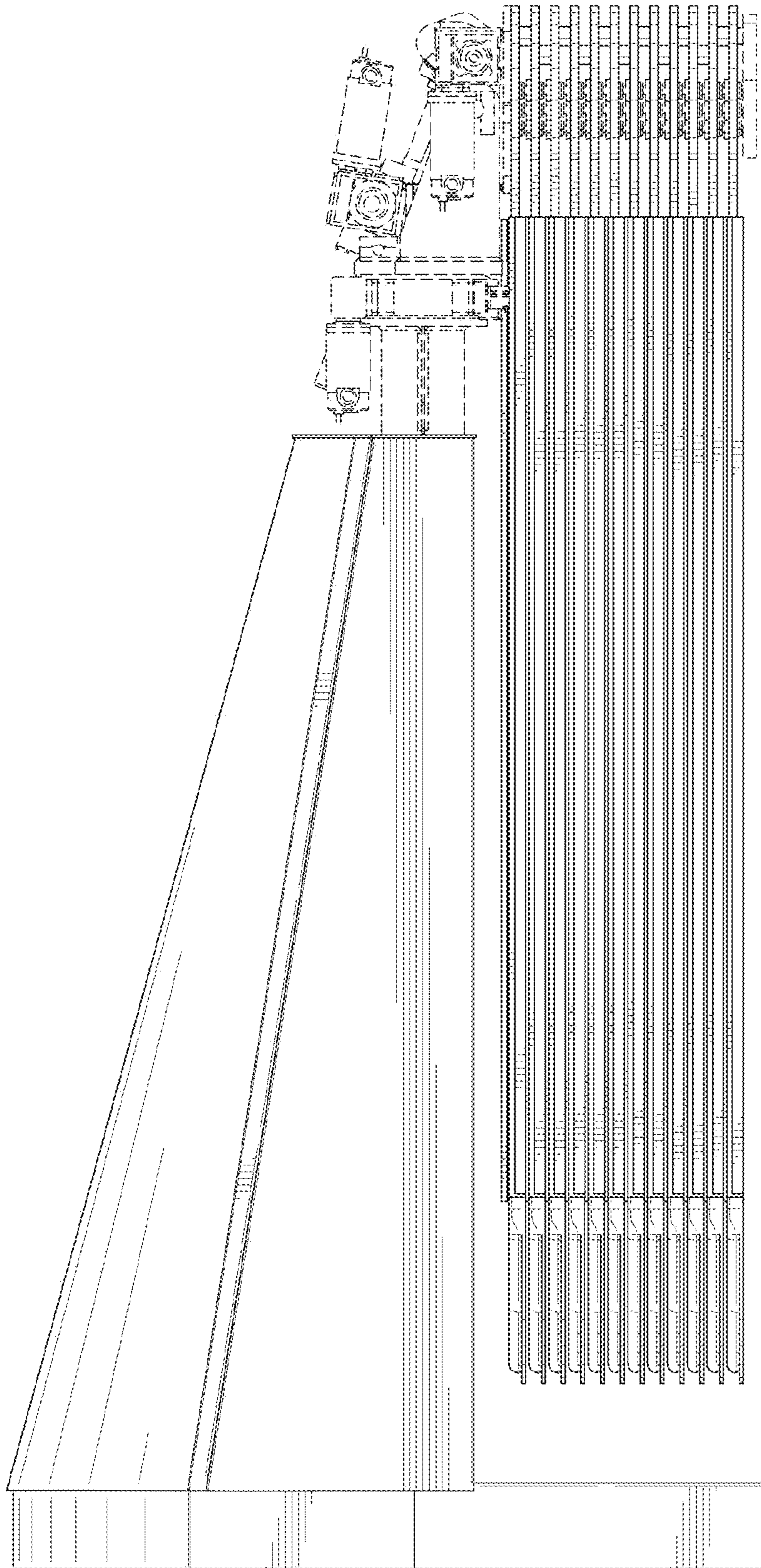


FIG. 5

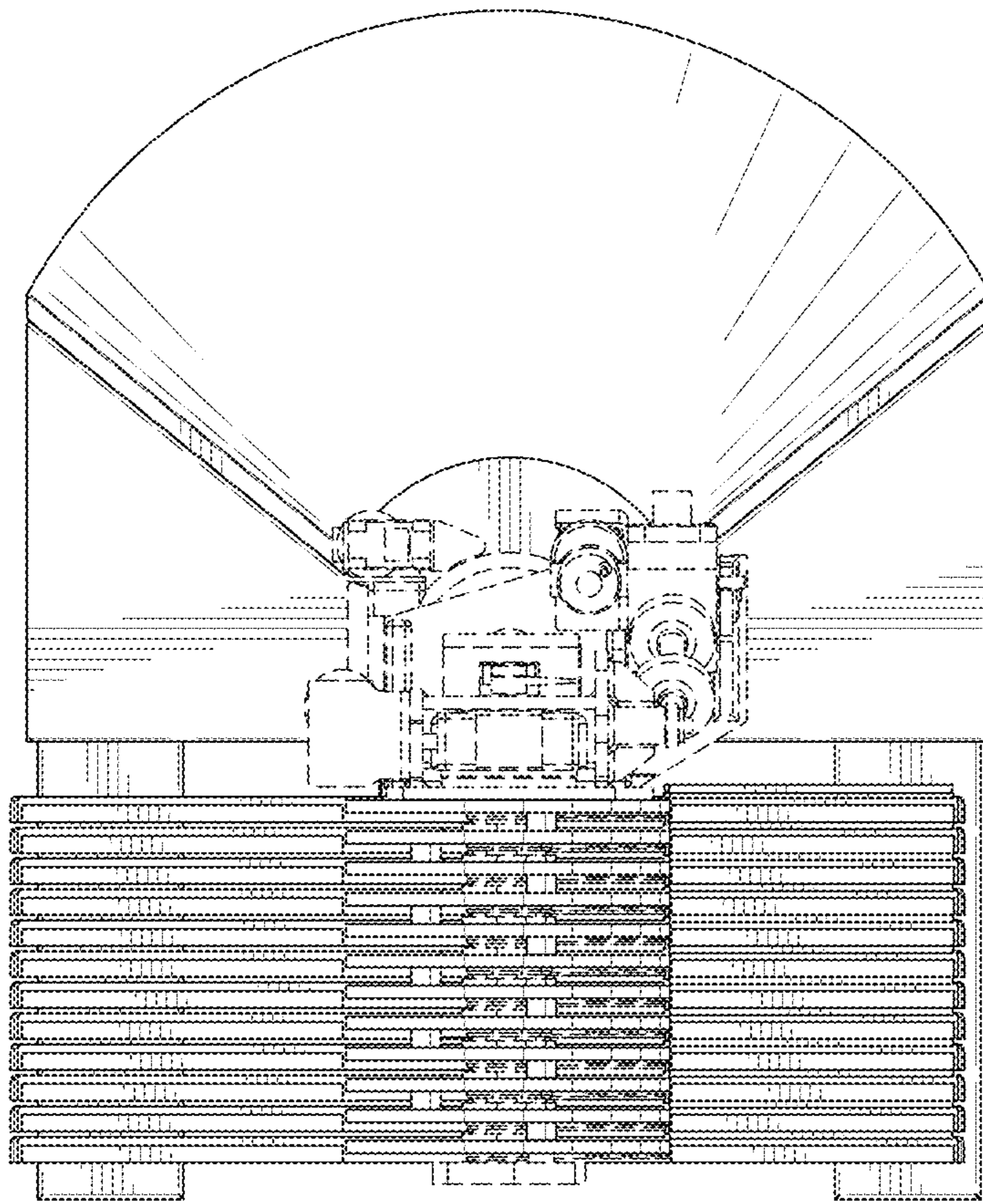


FIG. 6

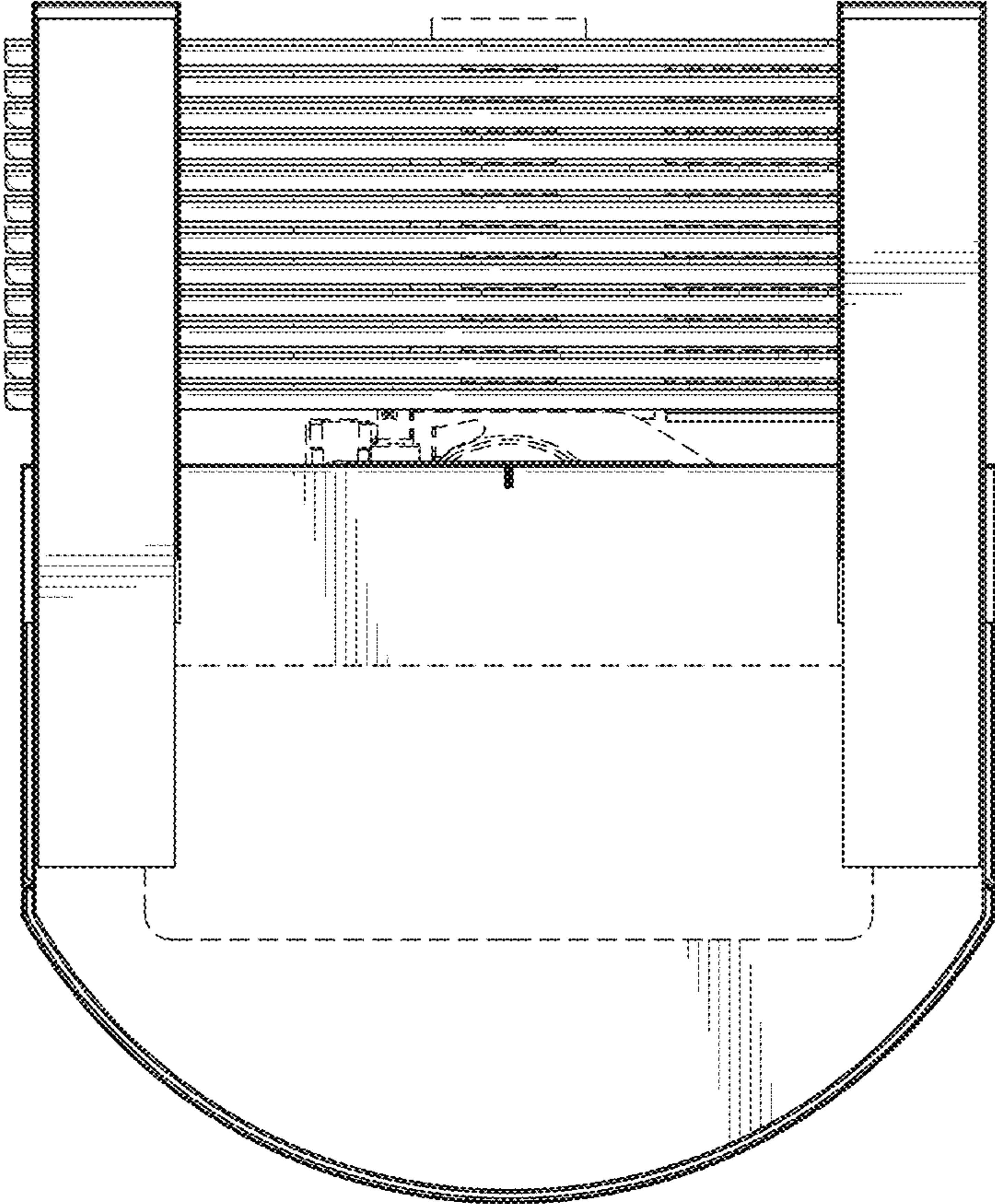


FIG. 7