



US00D755117S

(12) **United States Design Patent**
Sareen

(10) **Patent No.:** **US D755,117 S**
(45) **Date of Patent:** **** May 3, 2016**

(54) **TIRE TREAD**

- (71) Applicant: **Omni United (S) PTE Ltd.**, Singapore (SG)
- (72) Inventor: **Gajendra Singh Sareen**, Singapore (SG)
- (73) Assignee: **Omni United (S) Pte Ltd**, Singapore (SG)
- (**) Term: **14 Years**
- (21) Appl. No.: **29/499,074**
- (22) Filed: **Aug. 11, 2014**
- (51) **LOC (10) Cl.** **12-15**
- (52) **U.S. Cl.**
USPC **D12/595**
- (58) **Field of Classification Search**
CPC B60C 1/0016; B60C 11/0306; B60C 11/0302; B60C 11/0309
See application file for complete search history.

(56) **References Cited**

U.S. PATENT DOCUMENTS

D377,330 S *	1/1997	Kakegawa	D12/601
D379,792 S *	6/1997	Consolacion	D12/601
D381,605 S	7/1997	DellaGrotte		
D381,606 S *	7/1997	Graas	D12/601
D386,730 S	11/1997	Hubbell, Jr.		
D390,515 S	2/1998	Godsey et al.		
D397,648 S	9/1998	Allen et al.		
D403,994 S *	1/1999	Williams	D12/595
D427,551 S	7/2000	Weber		
D429,667 S	8/2000	Fierro et al.		
D480,352 S *	10/2003	Dixon	D12/601
D484,093 S	12/2003	Masuko		
D497,876 S *	11/2004	Williams	D12/595
D554,054 S *	10/2007	Welbes	D12/589
D619,958 S	7/2010	Maxwell		
D621,779 S *	8/2010	Yonetsu	D12/586
D624,488 S *	9/2010	Nakamura	D12/588
D639,235 S *	6/2011	Reim	D12/600
D645,392 S	9/2011	Hutz et al.		
D738,298 S *	9/2015	Wang	D12/600

OTHER PUBLICATIONS

Michelin Energy Saver A/S Tire found online [Nov. 16, 2015] http://tiresaddict.com/vendor/michelin/energy_saver_as/.
Ironman Radial A/P found online [Nov. 16, 2015] http://tiresaddict.com/vendor/ironman/radial_ap/.

* cited by examiner

Primary Examiner — Robert M Spear
Assistant Examiner — John Voytek

(74) *Attorney, Agent, or Firm* — Steptoe & Johnson LLP

(57) **CLAIM**

I claim the ornamental design for a tire tread, as shown and described.

DESCRIPTION

FIG. 1 is a perspective view of a section of a tire tread as defined by lines A-A and B-B;
FIG. 2 is an enlarged view of the section of the tire tread defined by lines A-A and B-B in FIG. 1;
FIG. 3 is a front view of a section of the tire tread as defined by lines C-C and D-D;
FIG. 4 is an enlarged view of the section of the tire tread defined by lines C-C and D-D in FIG. 3; FIG. 5 is a side view of a section of the tire tread as defined by lines E-E and F-F;
FIG. 6 is an enlarged view of the section of the tire tread defined by lines E-E and F-F;
FIG. 7 is another side view of a section of the tire tread as defined by lines G-G and H-H; and,
FIG. 8 is an enlarged view of the section of the tire tread defined by lines G-G and H-H.
The evenly-spaced broken lines in the drawings represent unclaimed environmental subject matter and form no part of the claim. The dash-dot-dash lines in the drawings represent the boundaries of the claim and form no part thereof.

1 Claim, 8 Drawing Sheets

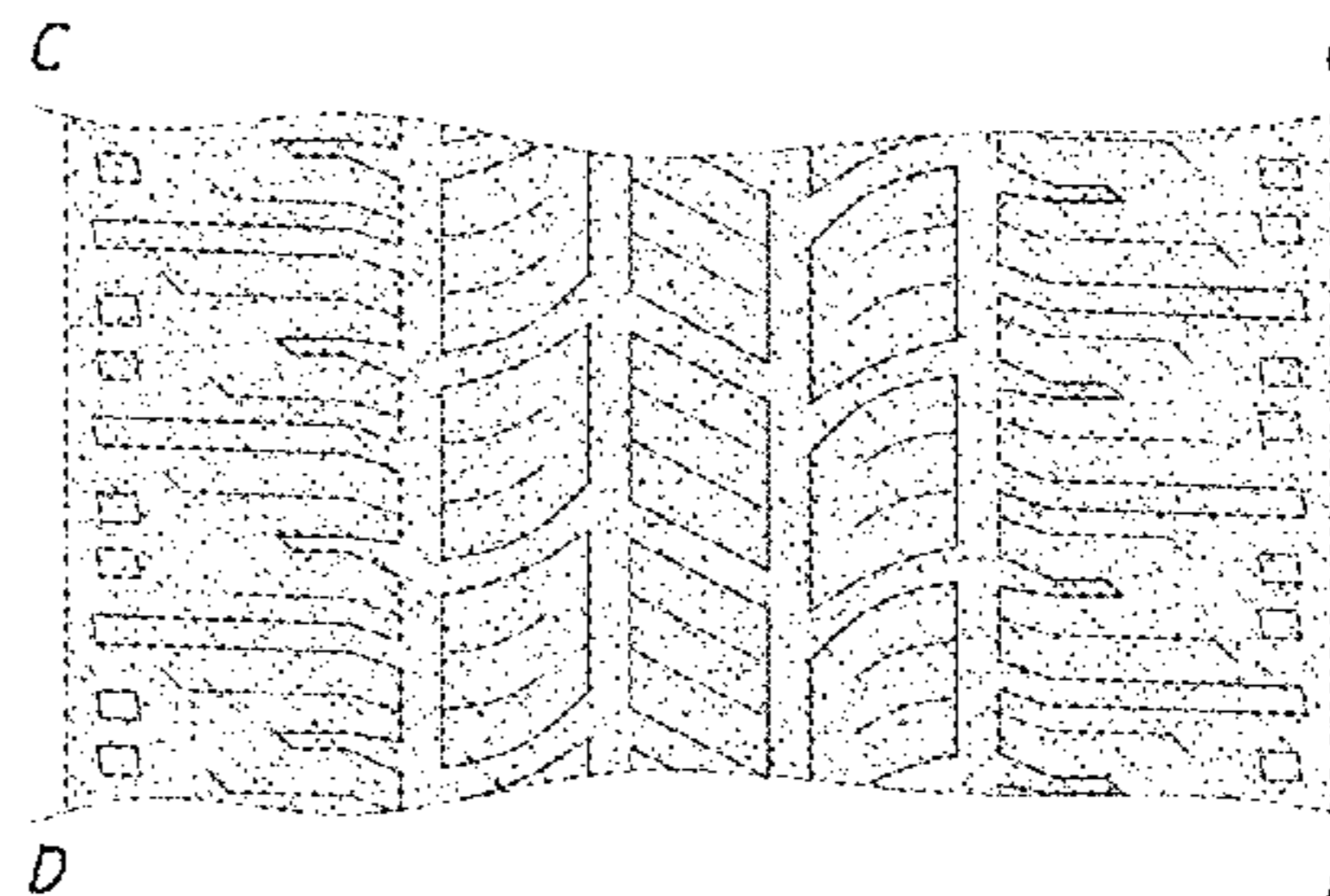
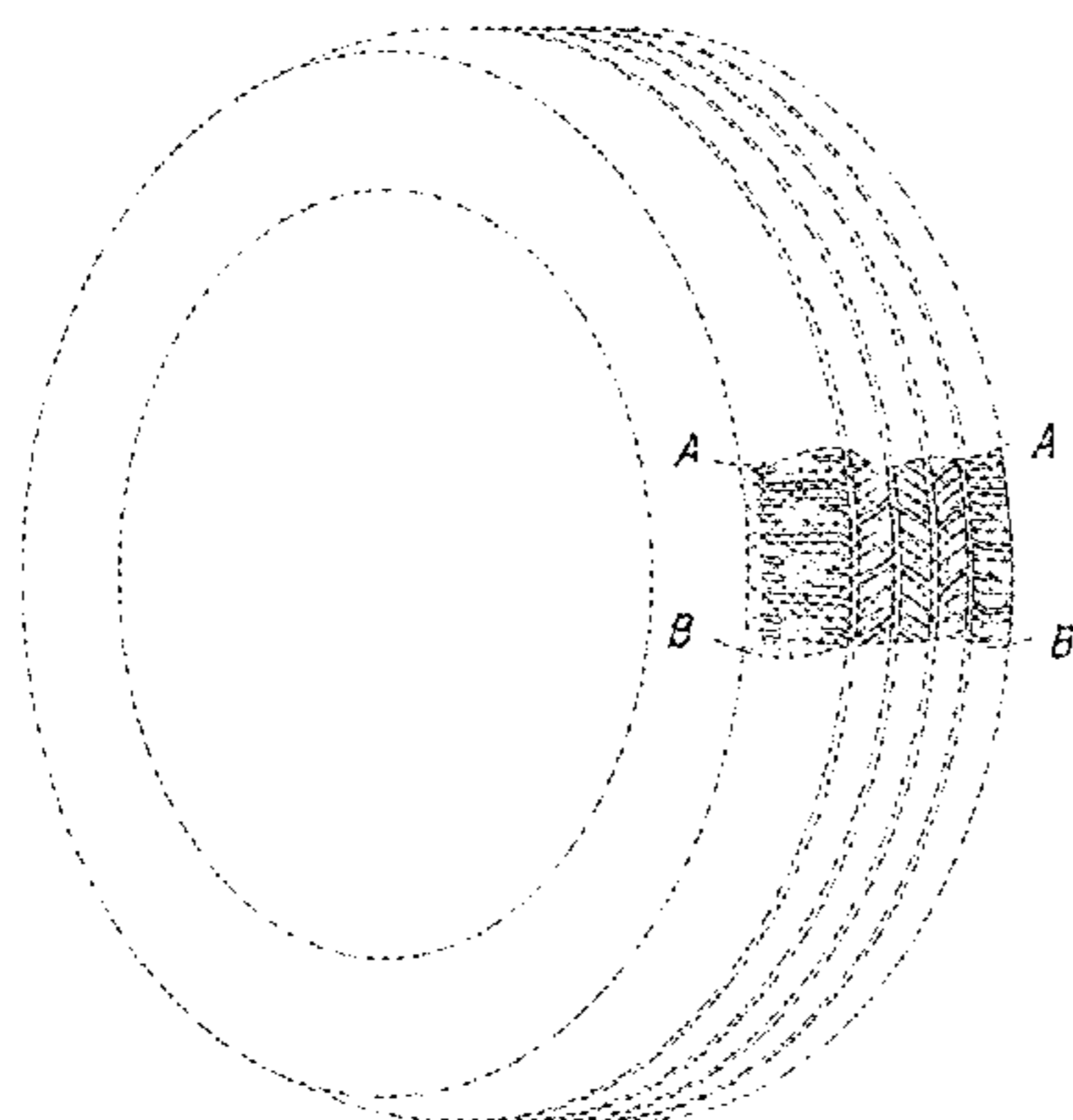
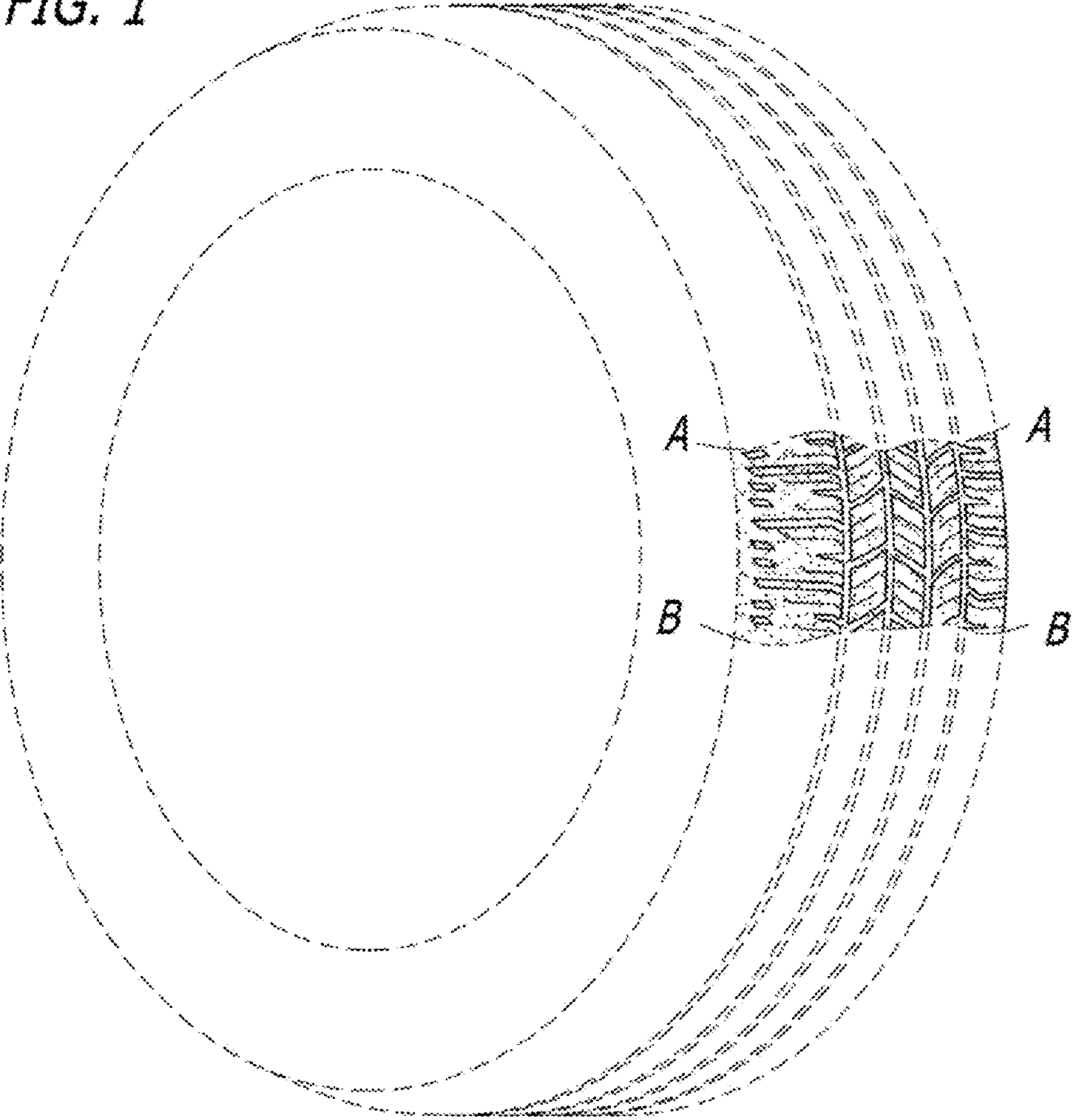


FIG. 1



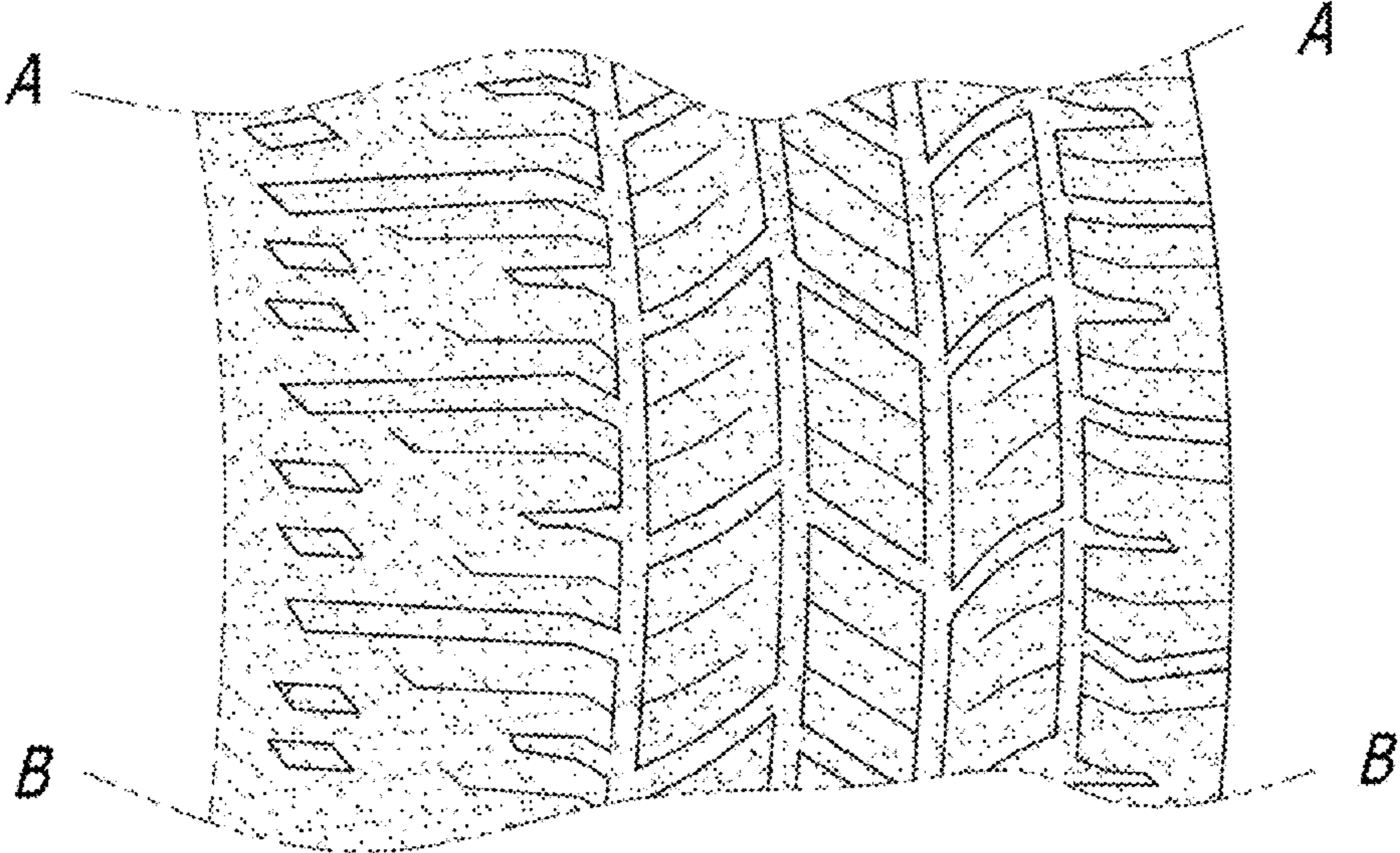


FIG. 2

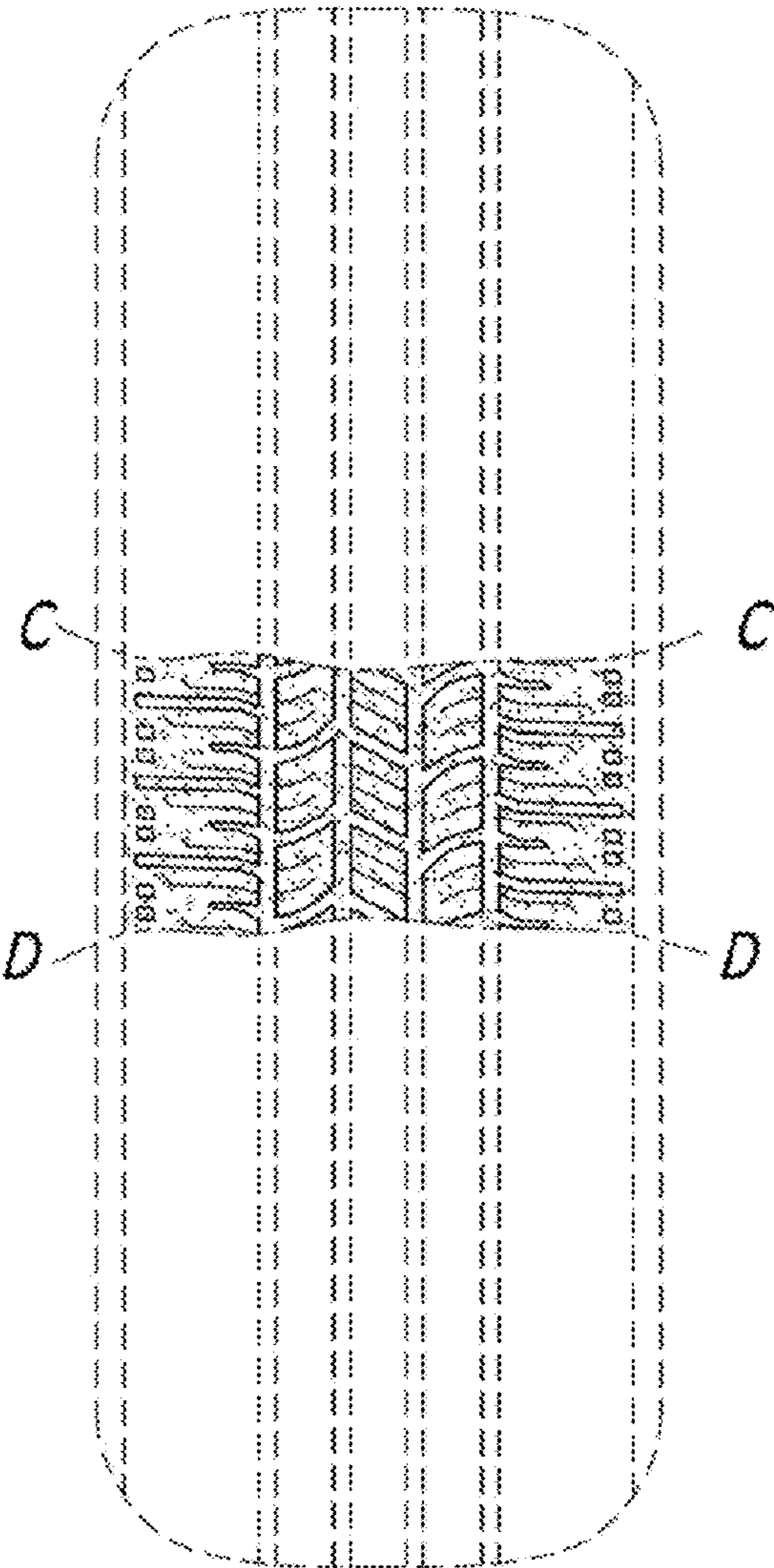


FIG. 3

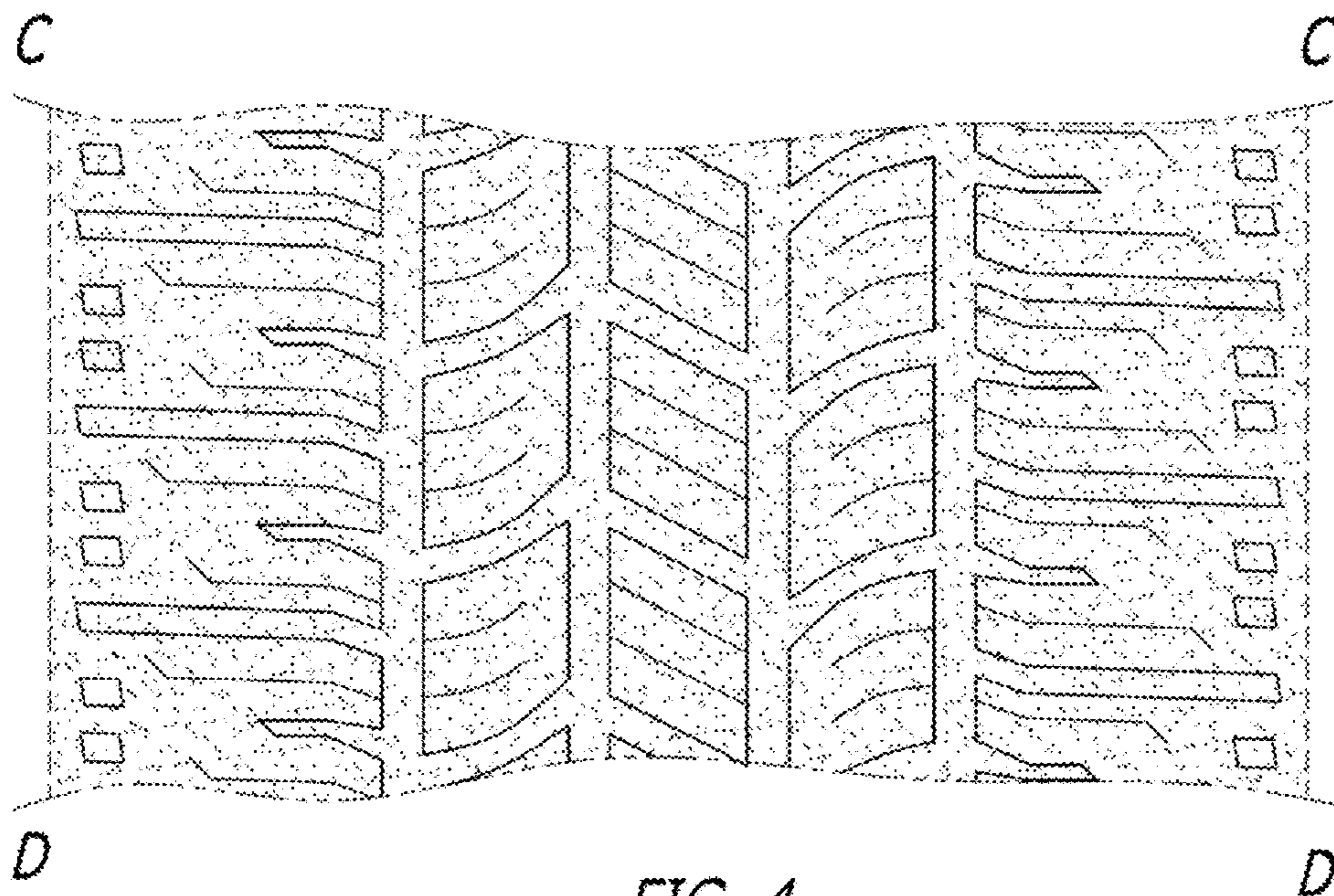


FIG. 4

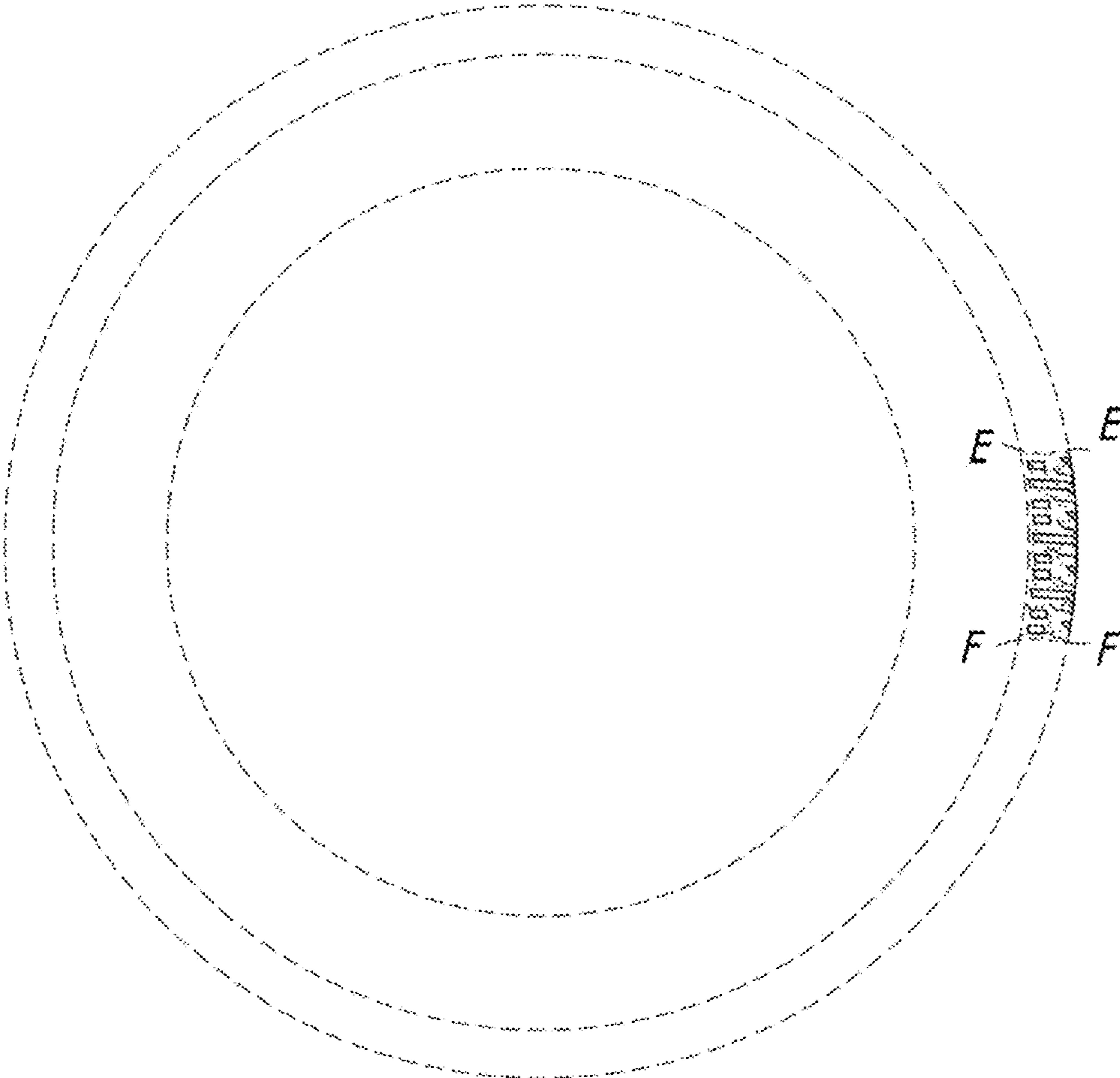


FIG. 5

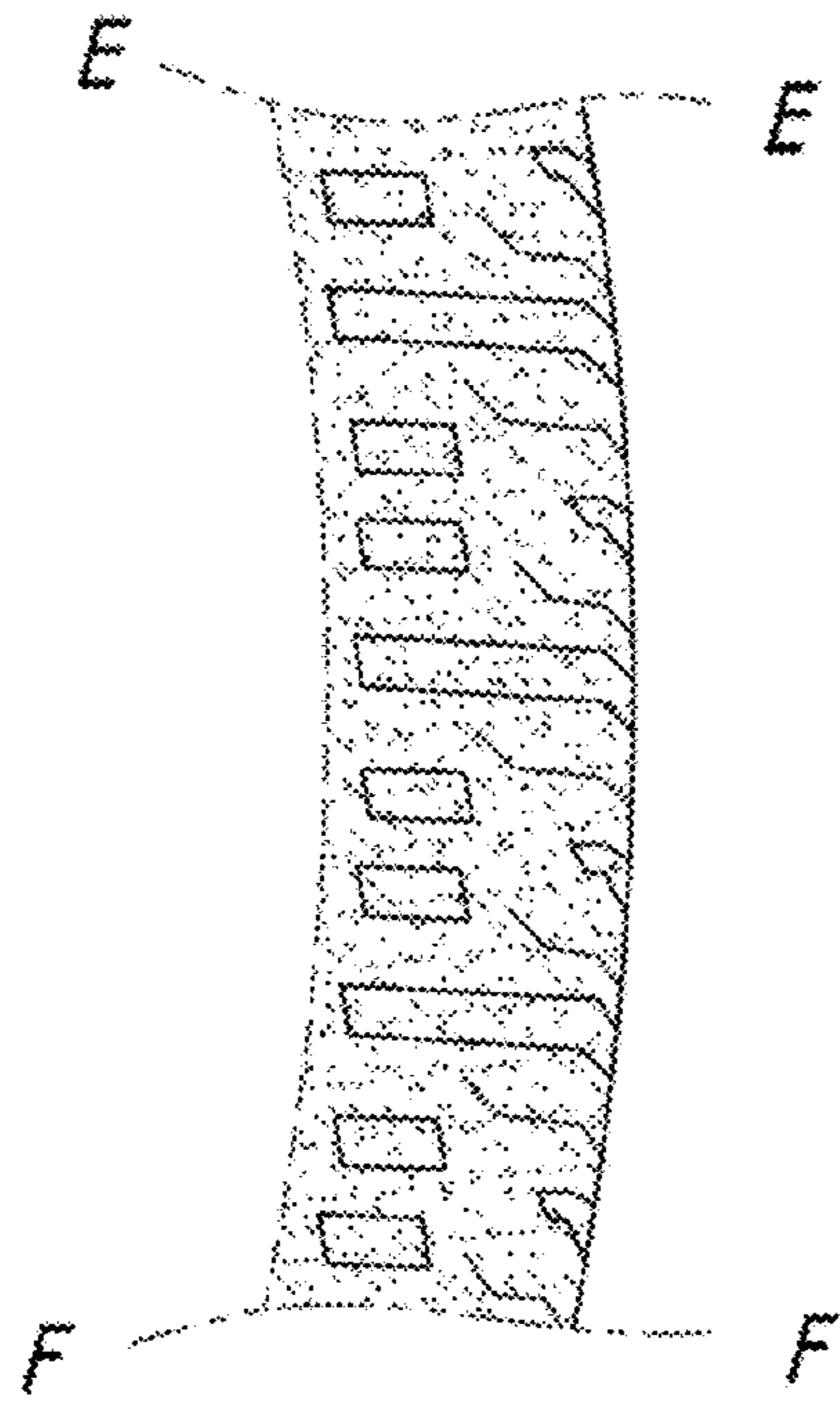


FIG. 6

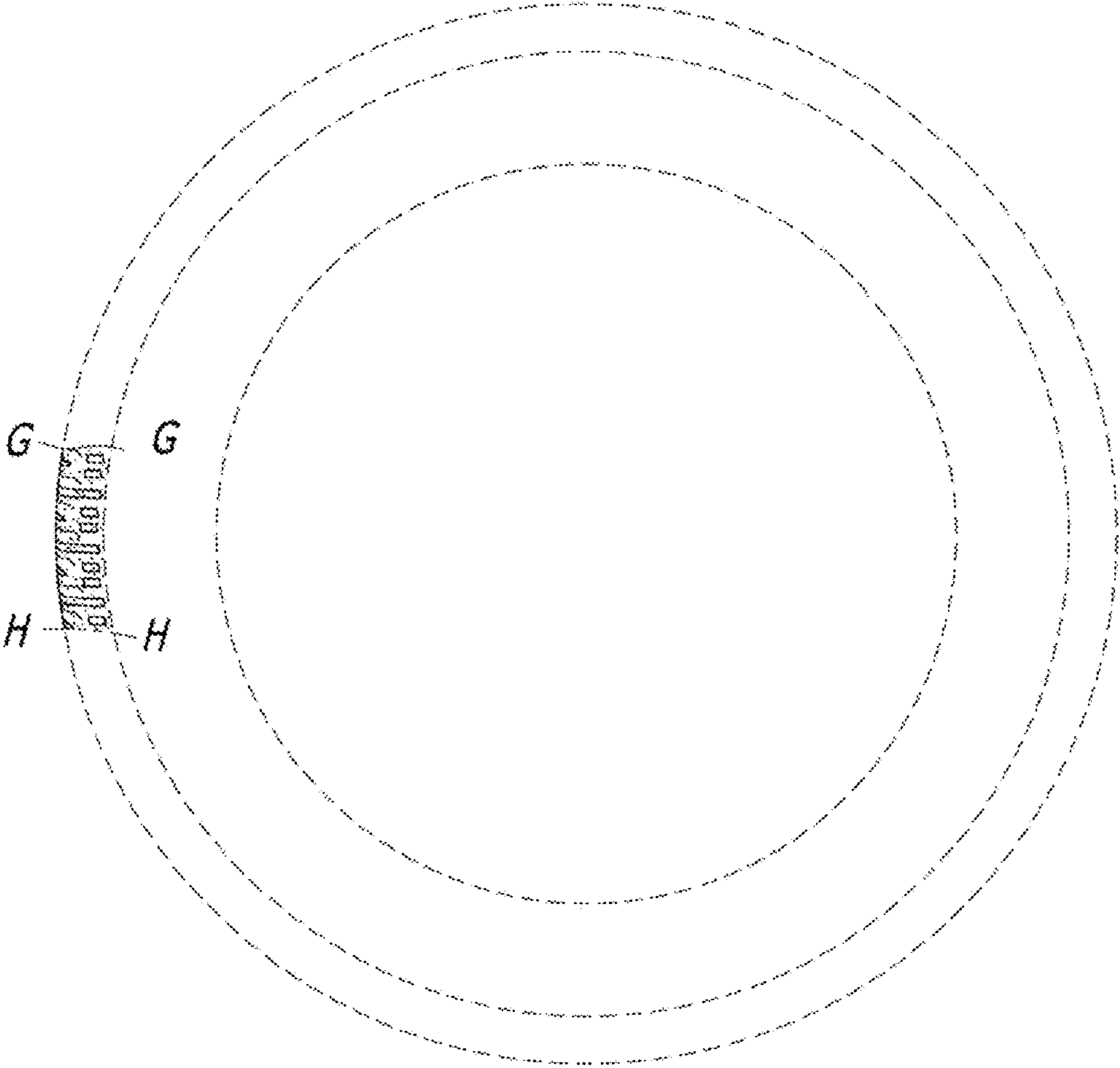


FIG. 7

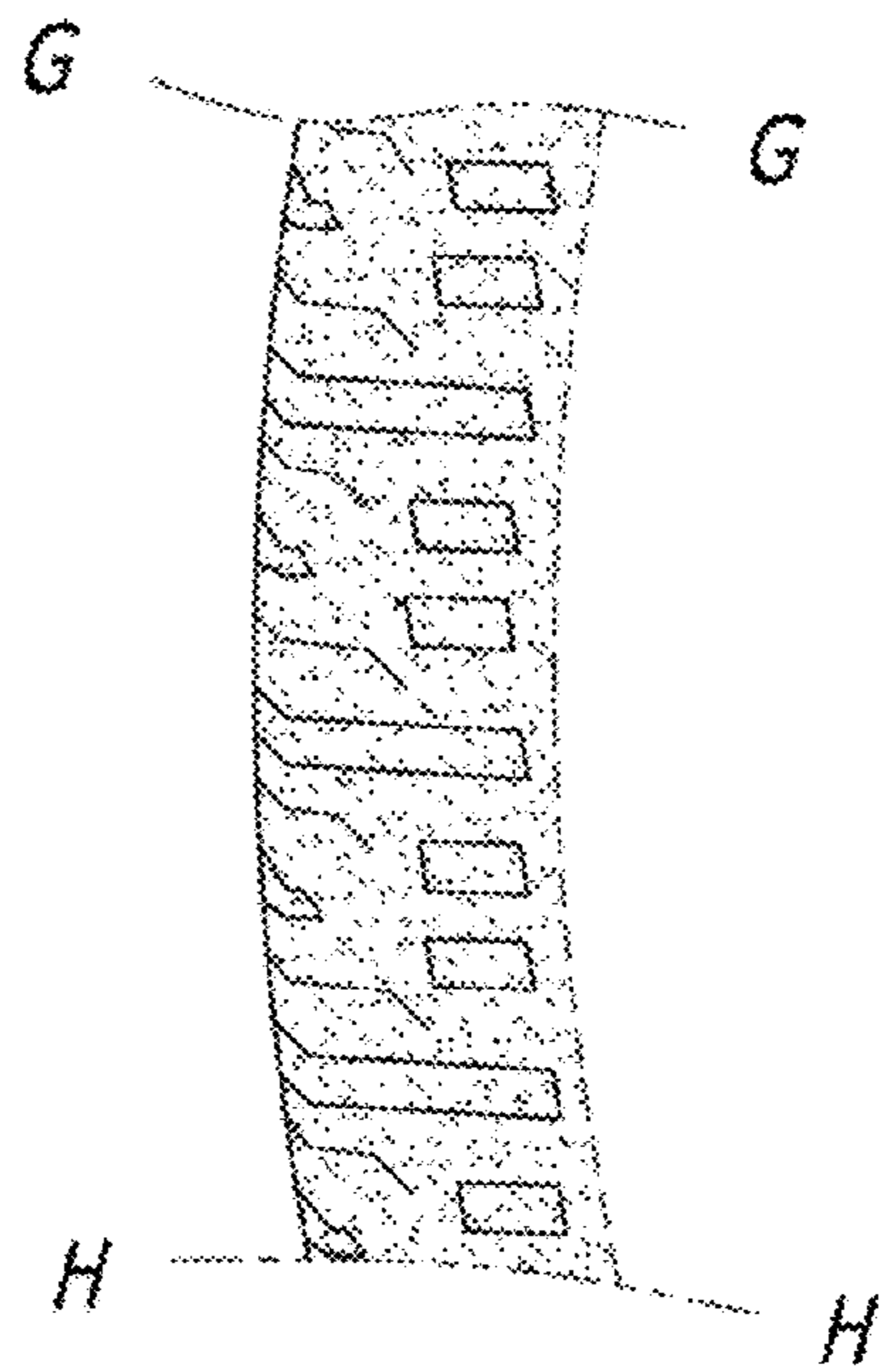


FIG. 8