



US00D755115S

(12) **United States Design Patent**  
**Cothran et al.**

(10) **Patent No.:** **US D755,115 S**  
(45) **Date of Patent:** **\*\* May 3, 2016**

(54) **TIRE TREAD**

(71) Applicants: **COMPAGNIE GENERALE DES  
ETABLISSEMENTS MICHELIN**,  
Clermont-Ferrand (FR); **MICHELIN  
RECHERCHE et TECHNIQUE S.A.**,  
Granges-Paccot (CH)

(72) Inventors: **Scott Cothran**, Mauldin, SC (US);  
**William Hudek**, Greenville, SC (US);  
**Robert Flynn**, Charlotte, NC (US);  
**Joseph A. Stain**, Shelby, NC (US)

(73) Assignees: **MICHELIN RECHERCHE et  
TECHNIQUE S.A.**, Granges-Paccot  
(CH); **COMPAGNIE GENERALE  
DES ETABLISSEMENTS  
MICHELIN**, Clermont-Ferrand (FR)

(\*\*) Term: **14 Years**

(21) Appl. No.: **29/500,486**

(22) Filed: **Aug. 26, 2014**

(51) **LOC (10) Cl.** ..... **12-15**

(52) **U.S. Cl.**  
USPC ..... **D12/583**

(58) **Field of Classification Search**

USPC ..... D12/145, 500-605, 900-901; 152/5,  
152/151, 152.1, 167, 208, 209.1-209.28,  
152/246, 450, 526, 527, 532, 535, 538,  
152/541; 425/28.1  
CPC ..... B60C 11/00-11/246; B60C 2011/0325;  
B60C 2011/0337; B60C 2011/0339; B60C  
2011/0386; B60C 3/00-3/08; B60C 1/00;  
B60C 2200/00; B60C 2200/02; B60C  
2200/04; B60C 2200/06; B60C 2200/065;  
B60C 2200/08; B60C 2200/10; B60C  
2200/12; B60C 2200/14; B60C 7/00; B60C  
7/005; B60C 7/02; B60C 7/04; B60C 7/06;  
B60C 7/08; B60C 5/00; B60C 13/00

See application file for complete search history.

(56) **References Cited**

U.S. PATENT DOCUMENTS

D429,477 S	8/2000	Williams	
D444,428 S	7/2001	Hutz et al.	
D556,126 S *	11/2007	Sakuraba .....	D12/579
D559,171 S *	1/2008	Sakuraba .....	D12/579
D624,009 S	9/2010	Vandaele et al.	
D643,802 S *	8/2011	Sareen .....	D12/583
D667,365 S *	9/2012	Dixon .....	D12/594

OTHER PUBLICATIONS

Fleet Equipment Magazine, GITI Drive Tire, <http://www.fleetequipmentmag.com/giti-drive-tire-regional-fleets/>.\*  
BFGoodrich g-Force KDW Tires, [www.bfgoodrichtires.com](http://www.bfgoodrichtires.com), at least as early as Oct. 22, 2013, 1 page.  
BFGoodrich Long Trail T/A Tires, [www.bfgoodrichtires.com](http://www.bfgoodrichtires.com), at least as early as Oct. 22, 2013, 1 page.  
Laredo® Cross Country Tour, [www.uniroyaltires.com](http://www.uniroyaltires.com), at least as early as Oct. 22, 2013, 1 page.  
Tiger Paw® Touring, [www.uniroyaltires.com](http://www.uniroyaltires.com), at least as early as Oct. 22, 2013, 1 page.

\* cited by examiner

*Primary Examiner* — Manpreet Matharu

*Assistant Examiner* — Keith Wilson

(74) *Attorney, Agent, or Firm* — Dority & Manning, P.A.

(57) **CLAIM**

The ornamental design for a tire tread, as shown and described.

**DESCRIPTION**

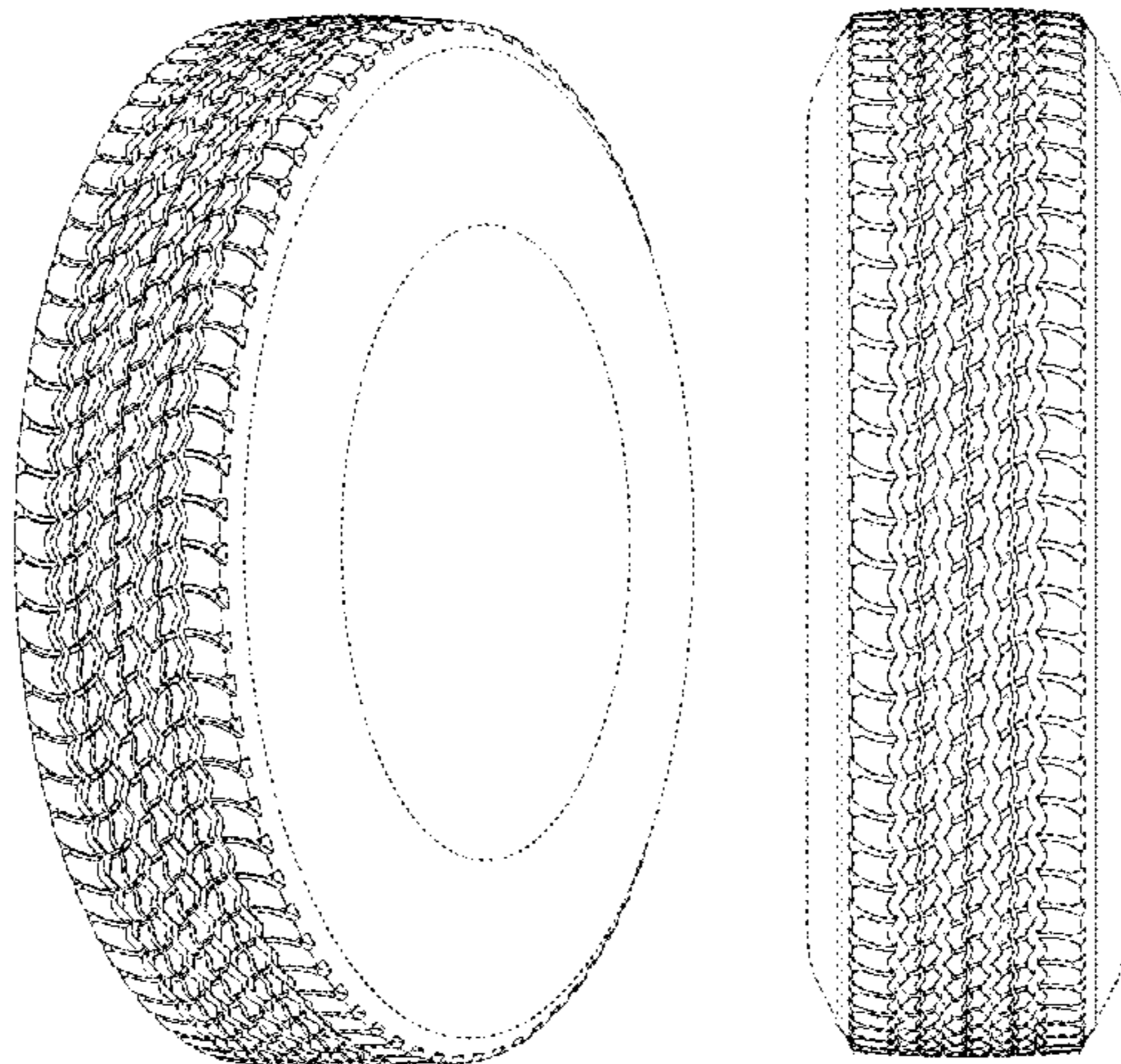
FIG. 1 is a perspective view of a tire tread showing our new design, it being understood that the tread pattern repeats circumferentially throughout the outer circumference and shoulder of the tire, the opposite side perspective being identical thereto;

FIG. 2 is a front elevation view thereof; and,

FIG. 3 is a side elevation view of the right side thereof, the left side elevation being identical thereto.

In the drawings, the recessed groove portions of the tire tread having a depth is best illustrated along the top and bottom edges of FIG. 2. In the drawings, the broken line disclosure of the tire sidewall and inner bead depicts environmental structure and forms no part of the claimed design.

**1 Claim, 3 Drawing Sheets**



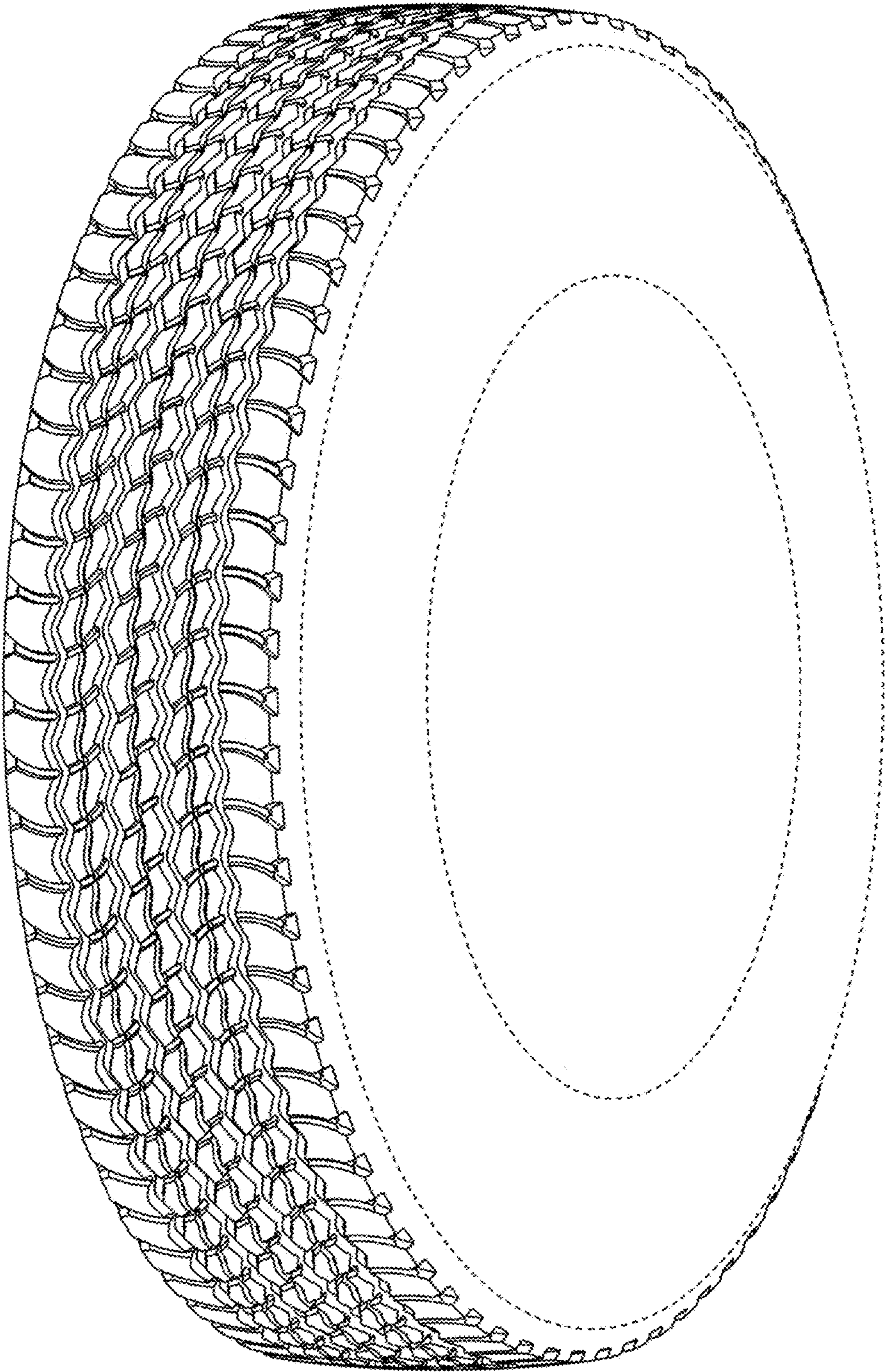


Fig. 1

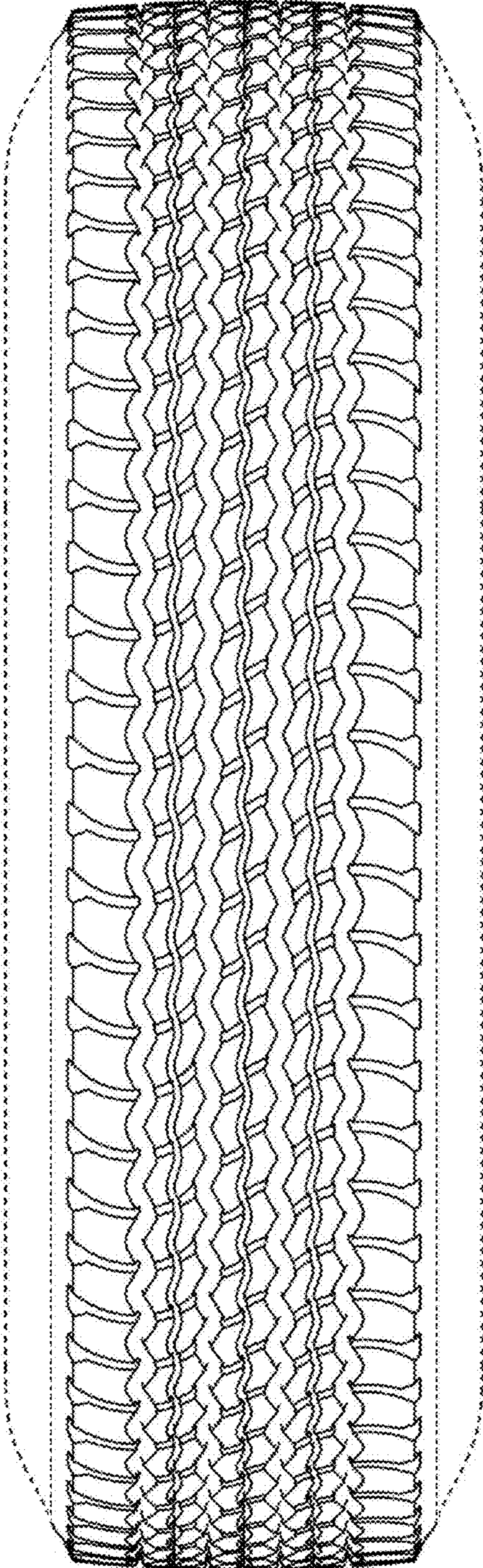


FIG. 2

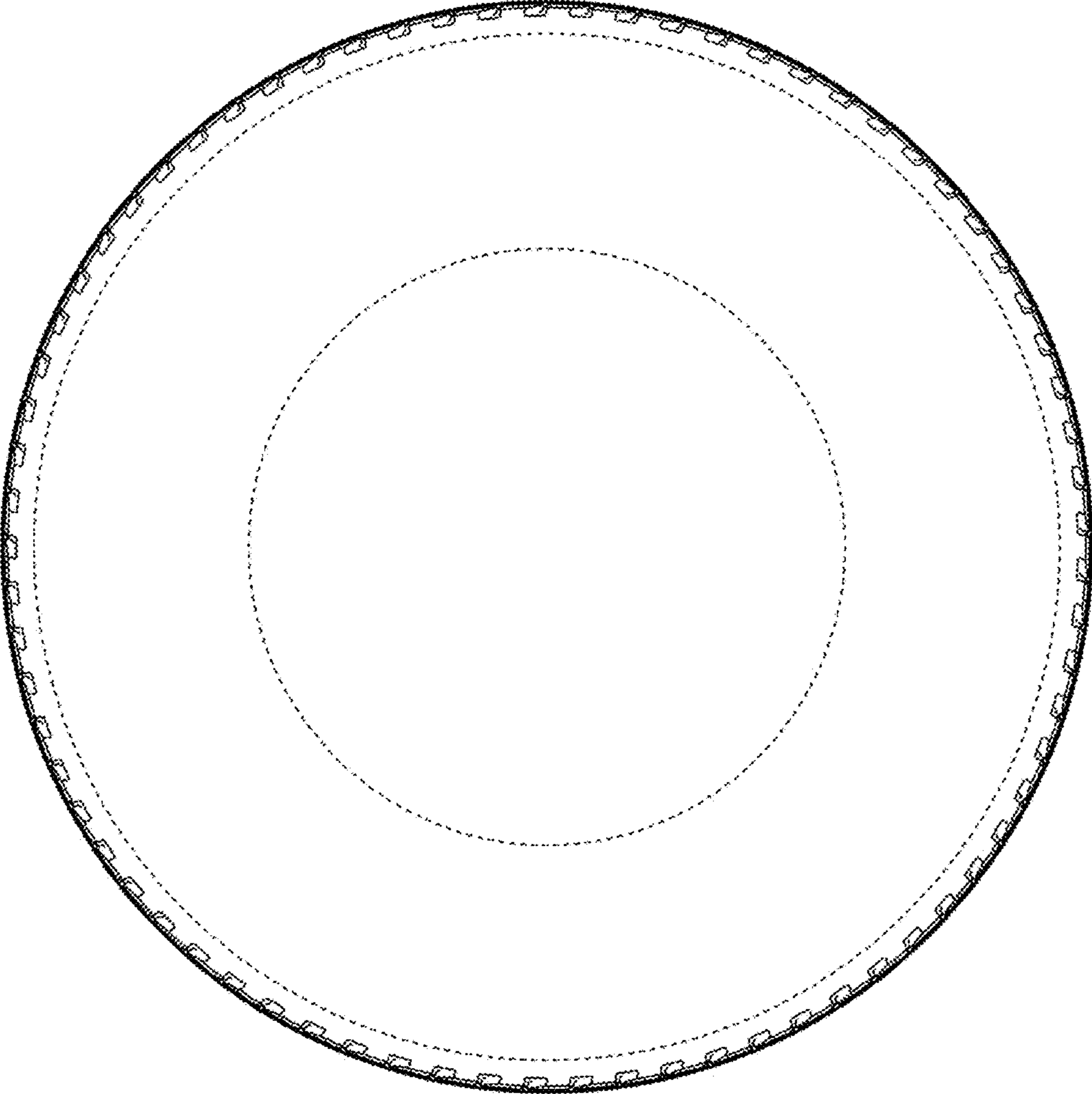


Fig. 3