



US00D755112S

(12) **United States Design Patent**
Jingjing et al.

(10) **Patent No.:** **US D755,112 S**

(45) **Date of Patent:** **** May 3, 2016**

(54) **TIRE**

(71) Applicant: **Davanti Tyres Limited**, St Helens (GB)

(72) Inventors: **Ma Jingjing**, Yangxin county (CN);
Zhao Mingming, Qingdao (CN); **Wang Xueyi**, Qingdao (CN)

(73) Assignee: **Davanti Tyres Limited**, St. Helens,
Merseyside (GB)

(**) Term: **14 Years**

(21) Appl. No.: **29/512,349**

(22) Filed: **Dec. 18, 2014**

(30) **Foreign Application Priority Data**

Sep. 2, 2014 (EP) 002523894

(51) **LOC (10) Cl.** **12-15**

(52) **U.S. Cl.**
USPC **D12/523**

(58) **Field of Classification Search**
USPC D12/500–532, 900–901
CPC B60C 11/0304; B60C 11/0302; B60C
11/0306; B60C 11/0309; B60C 11/0318;
B60C 11/0311; B60C 11/042; B60C 11/13;
B60C 11/00; B60C 11/11; B60C 11/12;
B60C 11/0016

See application file for complete search history.

(56) **References Cited**

U.S. PATENT DOCUMENTS

D447,097 S * 8/2001 Graas D12/523
D597,474 S * 8/2009 Yamakawa D12/519
D601,939 S * 10/2009 Fontaine D12/519
D606,002 S * 12/2009 Yamakawa D12/523

D612,321 S * 3/2010 Bott D12/523
D626,910 S * 11/2010 Bott D12/519
D634,261 S * 3/2011 Schmalix D12/519
D644,593 S * 9/2011 Fontaine D12/523
D648,668 S * 11/2011 Kujime D12/519
D668,598 S * 10/2012 Hughes D12/521
D684,920 S * 6/2013 Maxwell D12/521
D715,214 S * 10/2014 Fontaine D12/523
D716,217 S * 10/2014 Rittweger D12/523
D729,724 S * 5/2015 Mathis D12/523
D730,809 S * 6/2015 Bonifas D12/523
D743,872 S * 11/2015 Huang D12/519

* cited by examiner

Primary Examiner — Stacia Cadmus

(74) *Attorney, Agent, or Firm* — Antoinette M. Tease

(57) **CLAIM**

The ornamental design for a tire, as shown and described.

DESCRIPTION

FIG. 1 is a perspective view of a tire showing our new design.

FIG. 2 is a front view of a tire showing our new design.

FIG. 3 is a rear view of a tire showing our new design.

FIG. 4 is a first side (inside) view of a tire showing our new design.

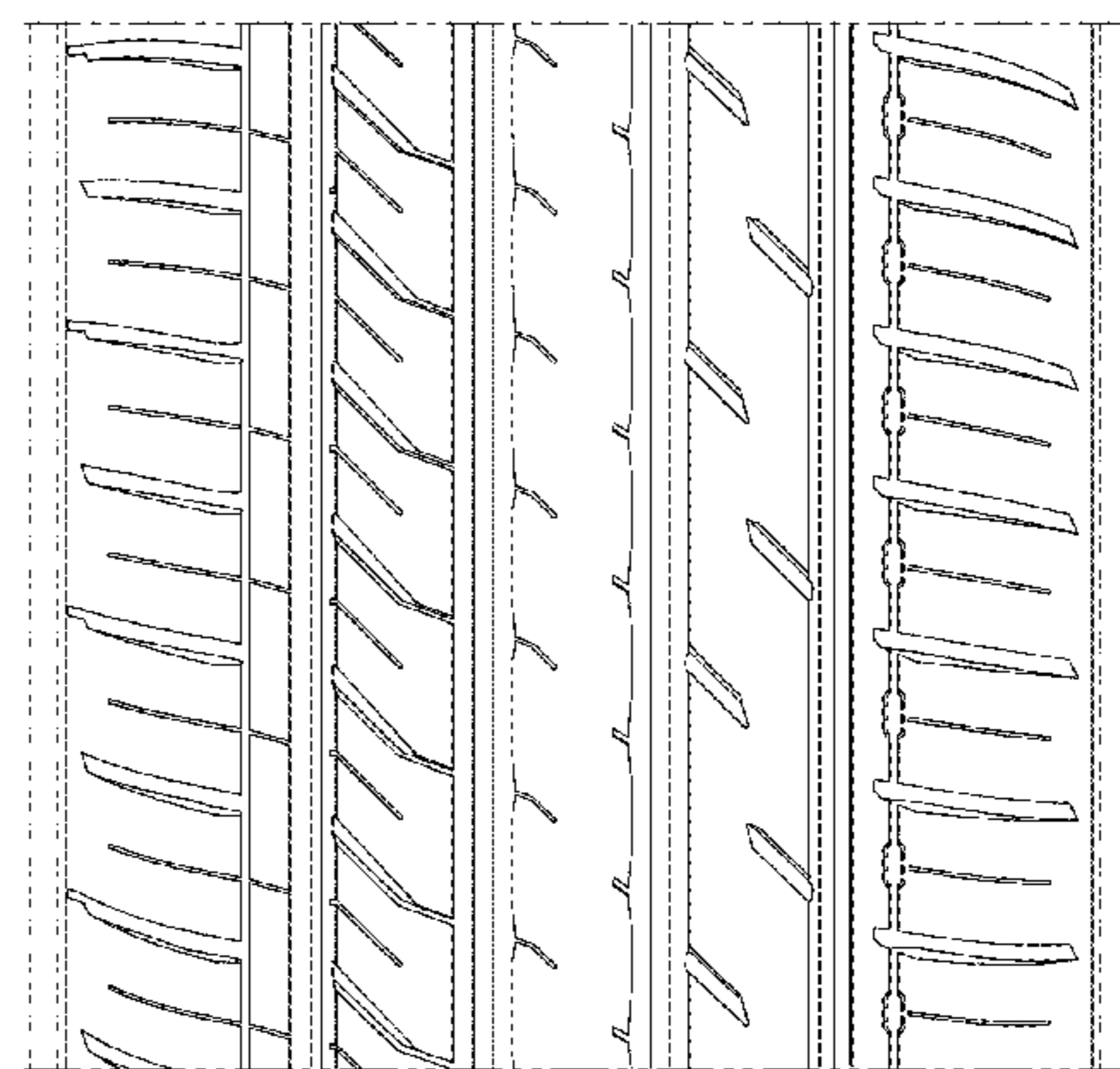
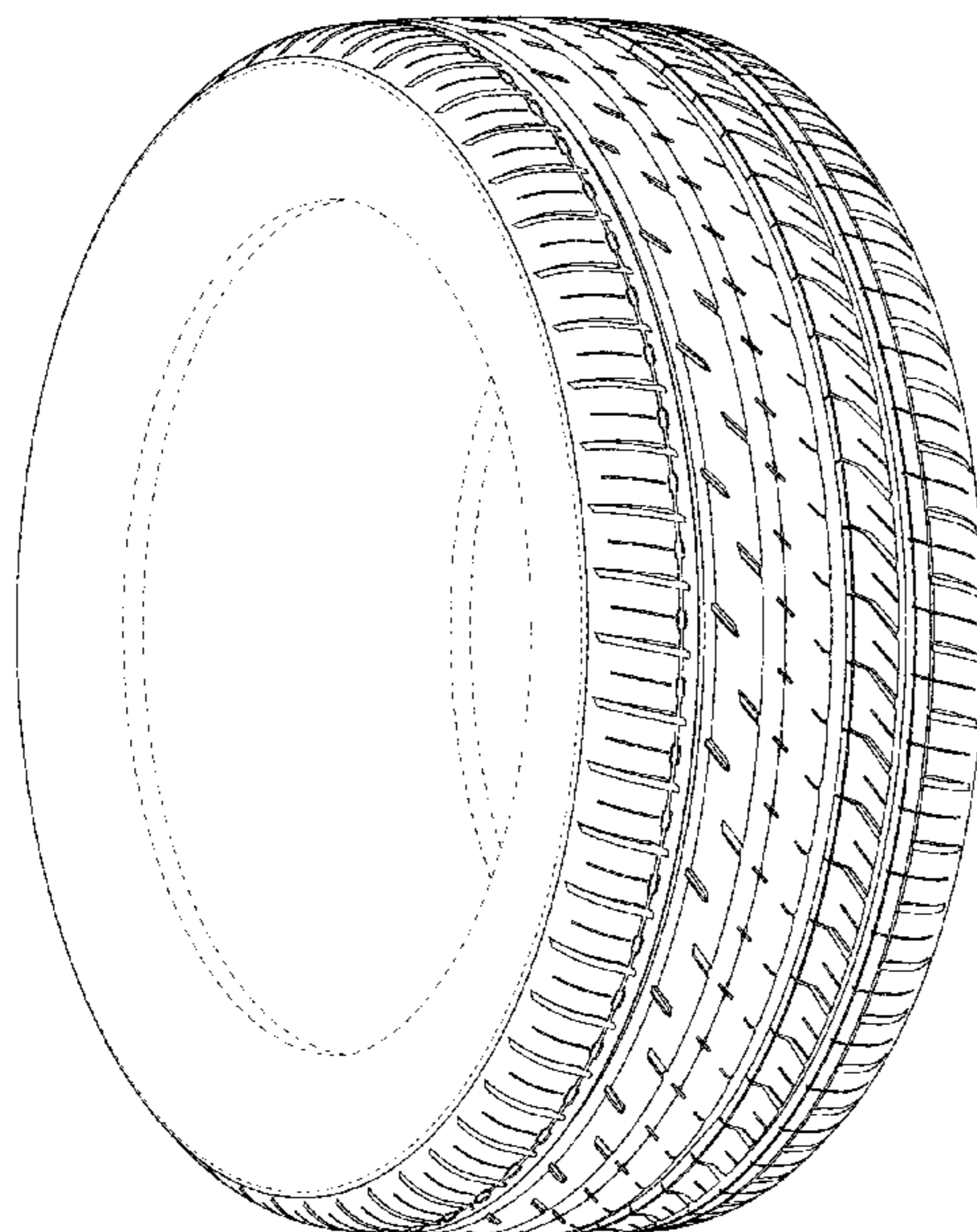
FIG. 5 is a second side (outside) view of a tire showing our new design.

FIG. 6 is a top view of a tire showing our new design.

FIG. 7 is a bottom view of a tire showing our new design; and, FIG. 8 is an enlarged fragmentary front view of a tire showing our new design.

The broken line showing of the sidewall, inner bead and the peripheral boundary between the tire tread and the sidewall is included for the purpose of illustrating environment and forms no part of the claimed design. The dot-dot-dash lines in FIG. 8 define the bounds of the fragmentary view and form no part thereof.

1 Claim, 6 Drawing Sheets



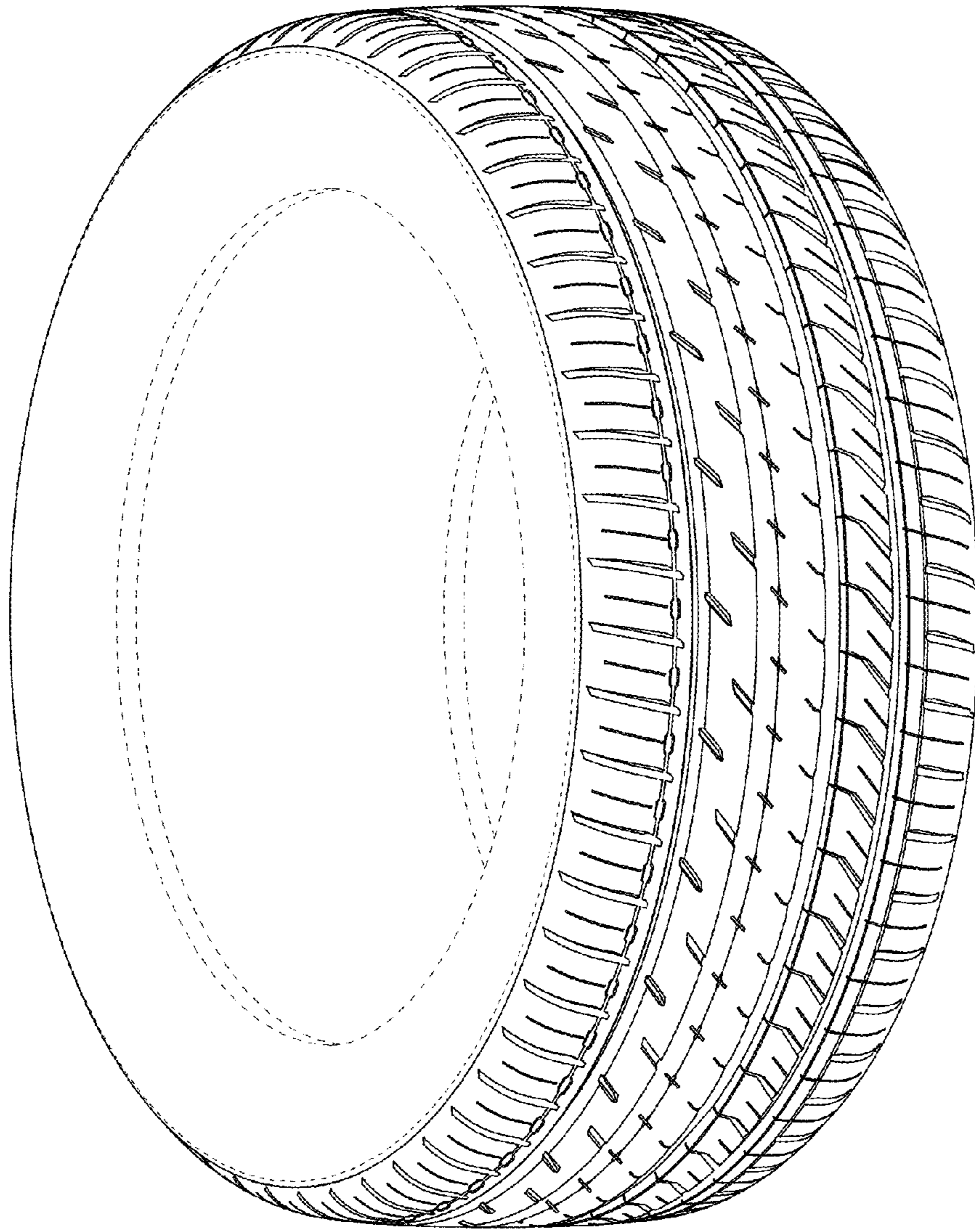


Fig. 1

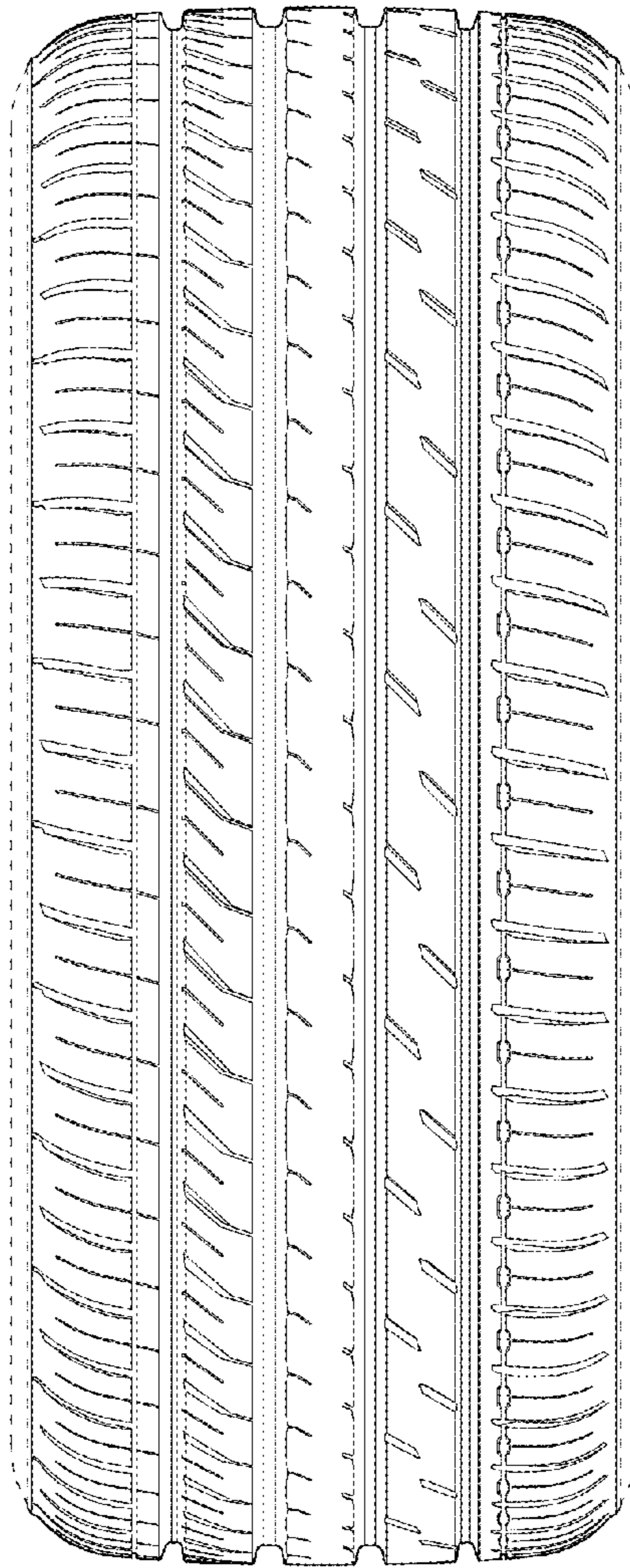


Fig. 2

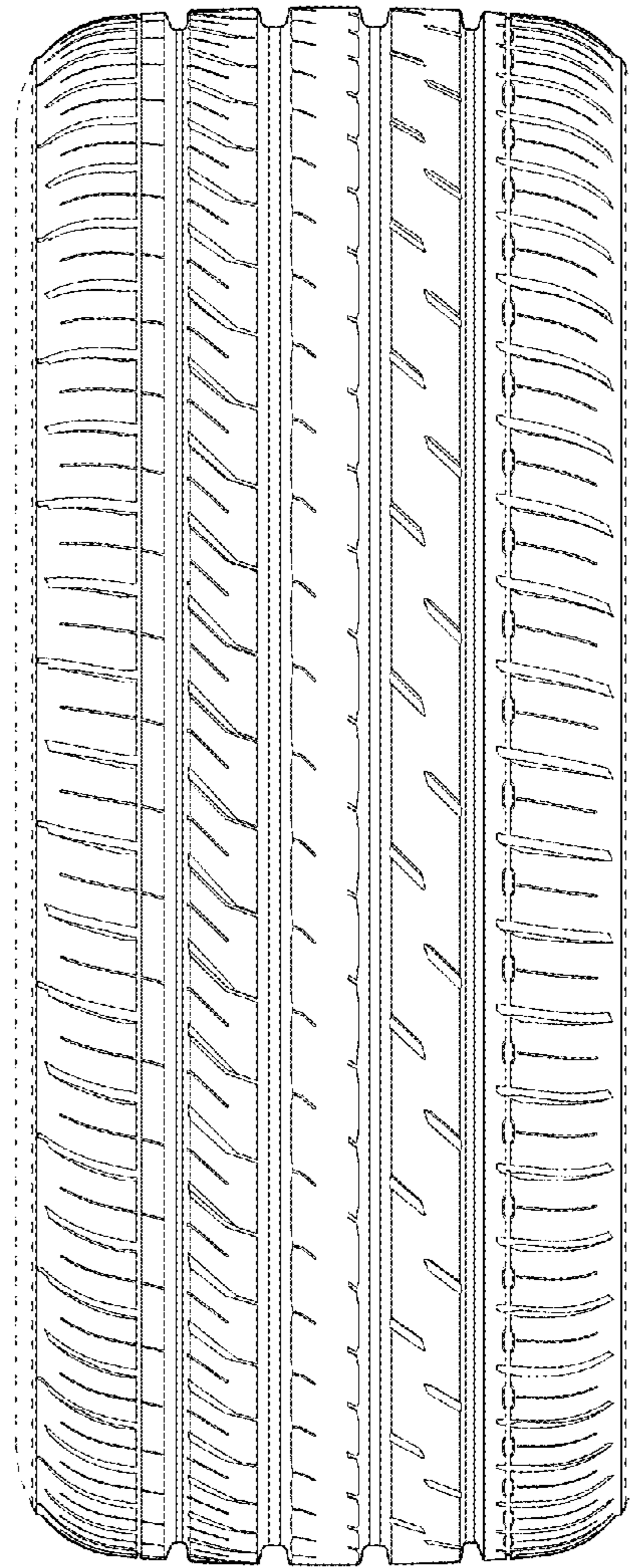


Fig. 3

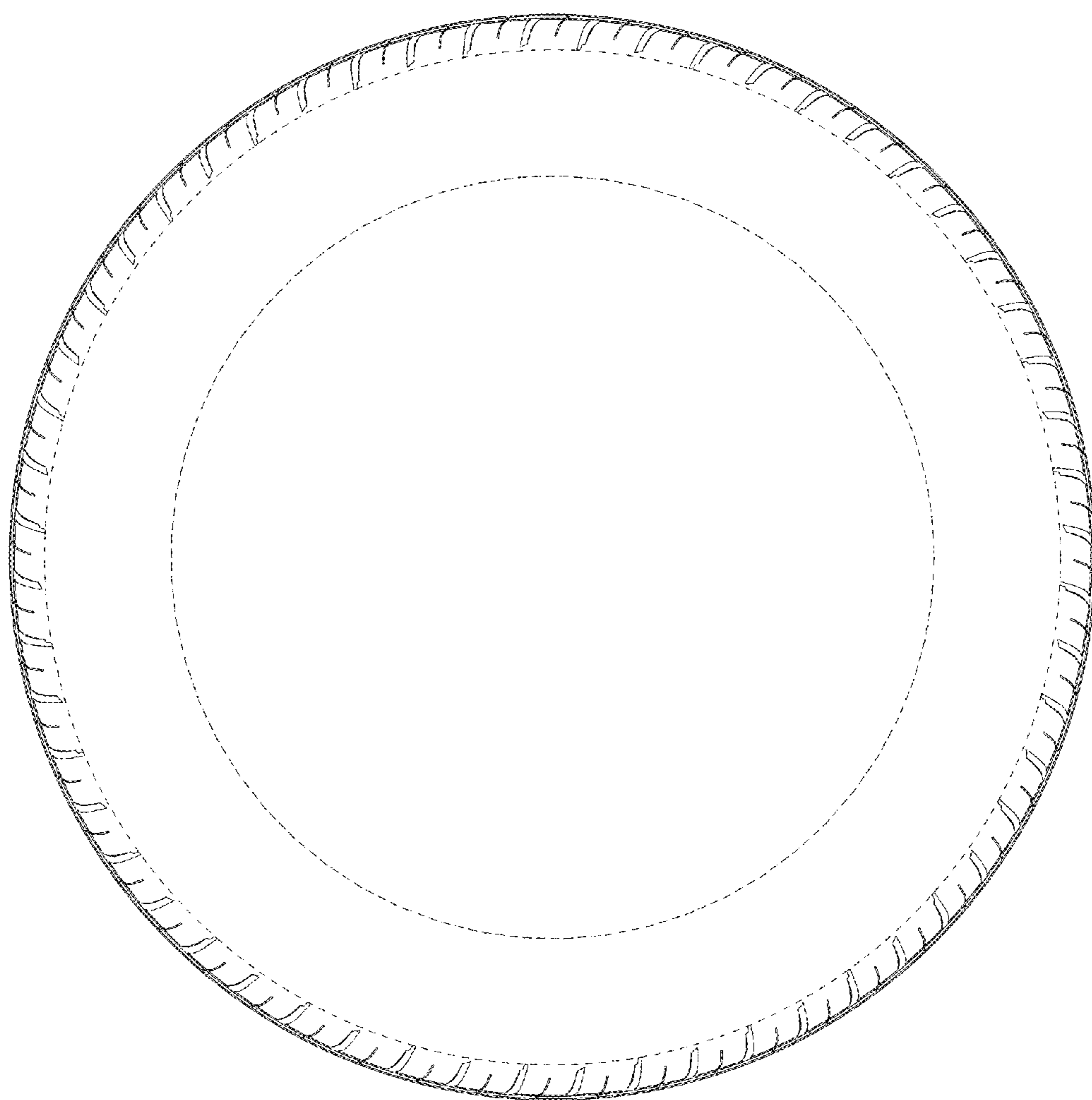


Fig. 4

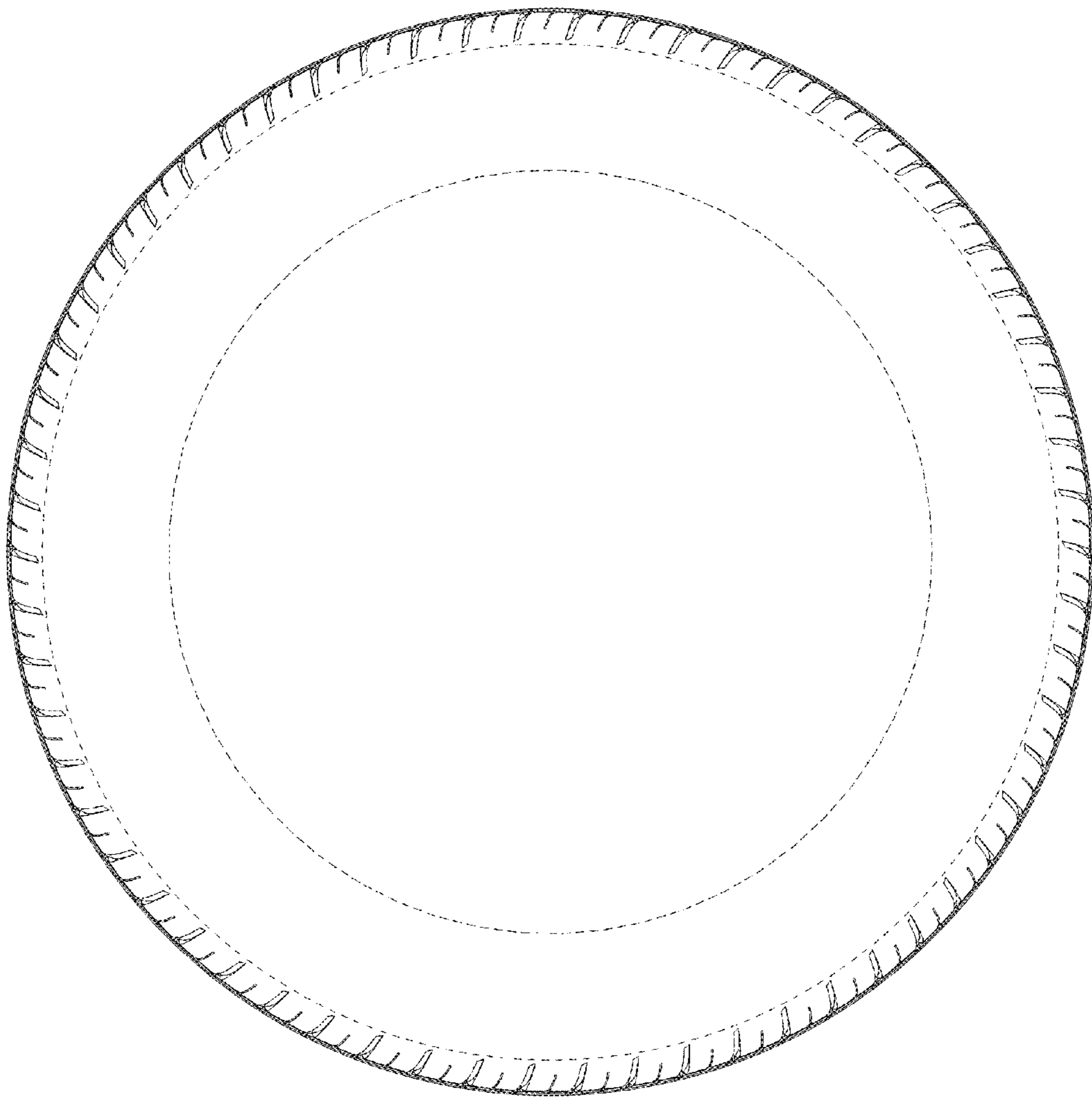


Fig. 5

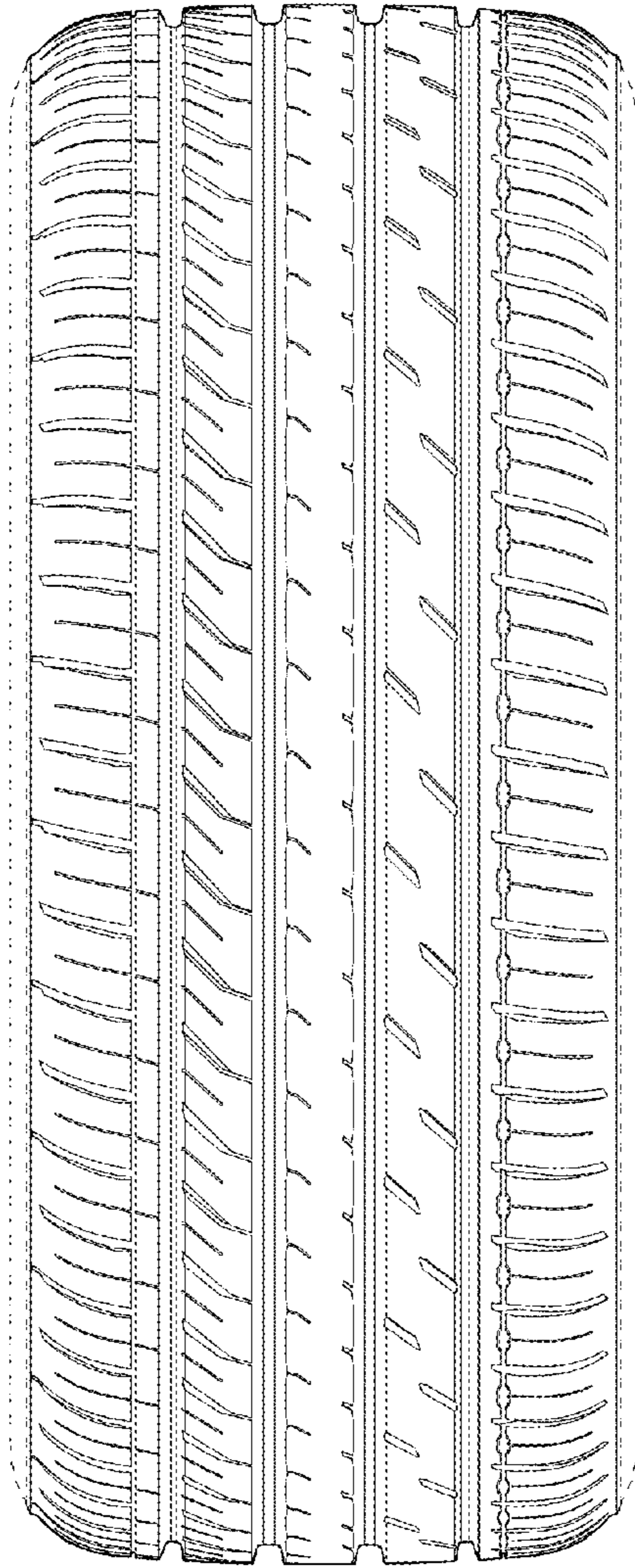


Fig. 6

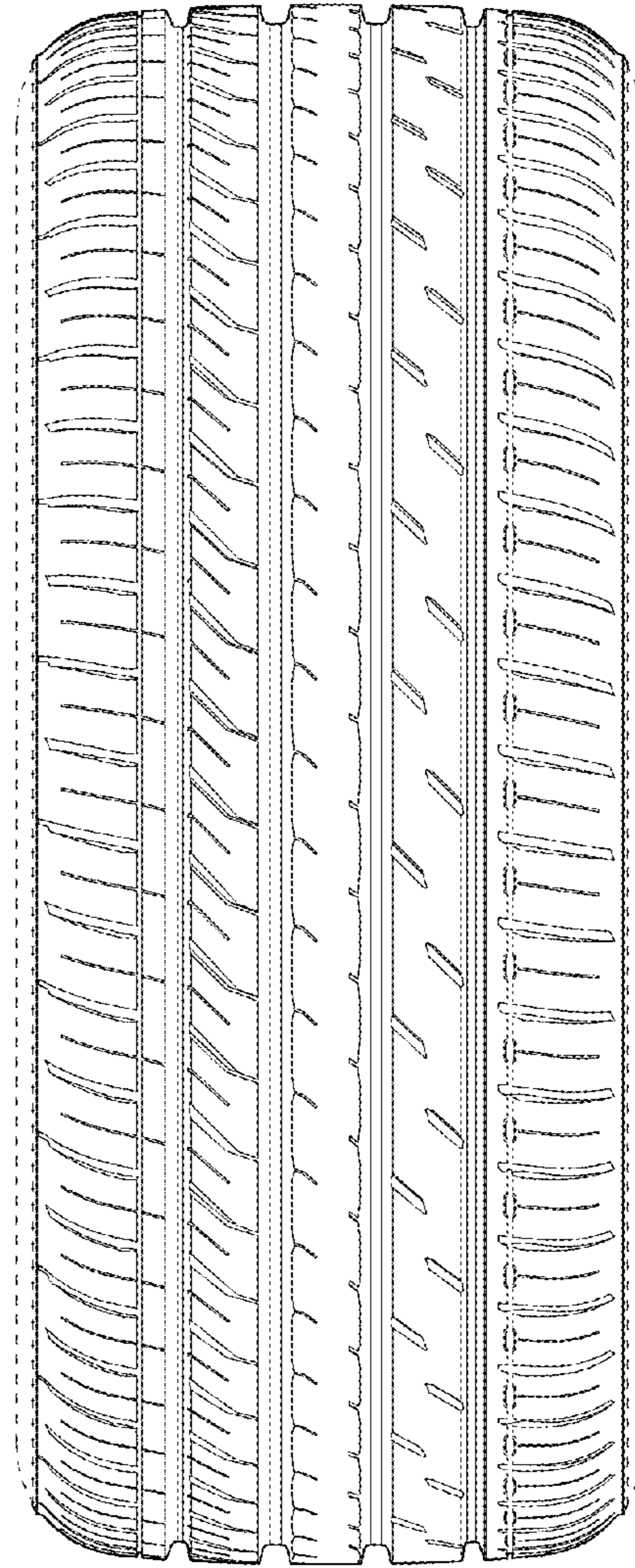


Fig. 7

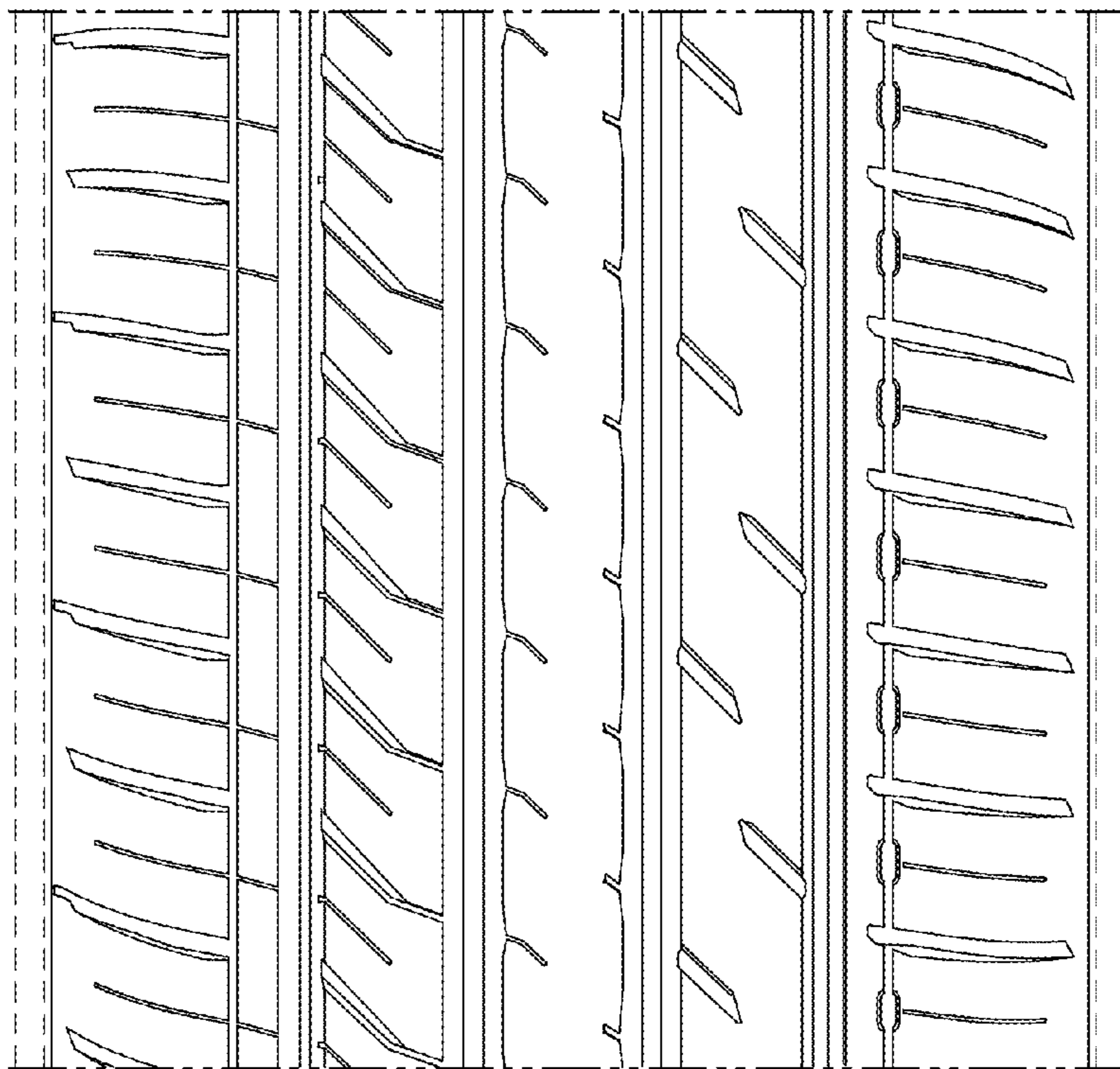


Fig. 8