



US00D755110S

(12) **United States Design Patent**  
**Smith**

(10) **Patent No.:** **US D755,110 S**  
(45) **Date of Patent:** **\*\* May 3, 2016**

(54) **VEHICLE COMPONENT**

(71) Applicant: **Jaguar Land Rover Limited**, Coventry (GB)

(72) Inventor: **Luke Smith**, Coventry (GB)

(73) Assignee: **Jaguar Land Rover Limited** (GB)

(\*\*) Term: **14 Years**

(21) Appl. No.: **29/512,602**

(22) Filed: **Dec. 19, 2014**

(30) **Foreign Application Priority Data**

Jun. 26, 2014 (EM) ..... 002491282

Jun. 26, 2014 (EM) ..... 002491290

(51) **LOC (10) Cl.** ..... **12-16**

(52) **U.S. Cl.**  
USPC ..... **D12/406**

(58) **Field of Classification Search**  
USPC ..... D12/401-414; D6/610-611  
CPC ..... B60R 9/00; B60R 9/02; B60R 9/04;  
B60R 9/08; B60R 9/042; B60R 9/0423;  
B60R 9/045; B60R 9/048; B60R 9/05; B60R  
9/052; B60R 9/058; B60R 9/065; B60R 9/10;  
B60R 9/12

See application file for complete search history.

(56) **References Cited**

U.S. PATENT DOCUMENTS

D371,107 S *	6/1996	Summers	.....	D12/406
D427,765 S *	7/2000	Porter	.....	D12/406
D434,363 S *	11/2000	McCoy	.....	D12/406
D486,779 S *	2/2004	Alberti	.....	D12/406
D627,703 S *	11/2010	McLaughlin	.....	D12/406
D656,887 S *	4/2012	Bogoslofski	.....	D12/406
D658,566 S *	5/2012	Gros	.....	D12/406

\* cited by examiner

*Primary Examiner* — Katrina A Betton

(74) *Attorney, Agent, or Firm* — Fishman Stewart PLLC

(57) **CLAIM**

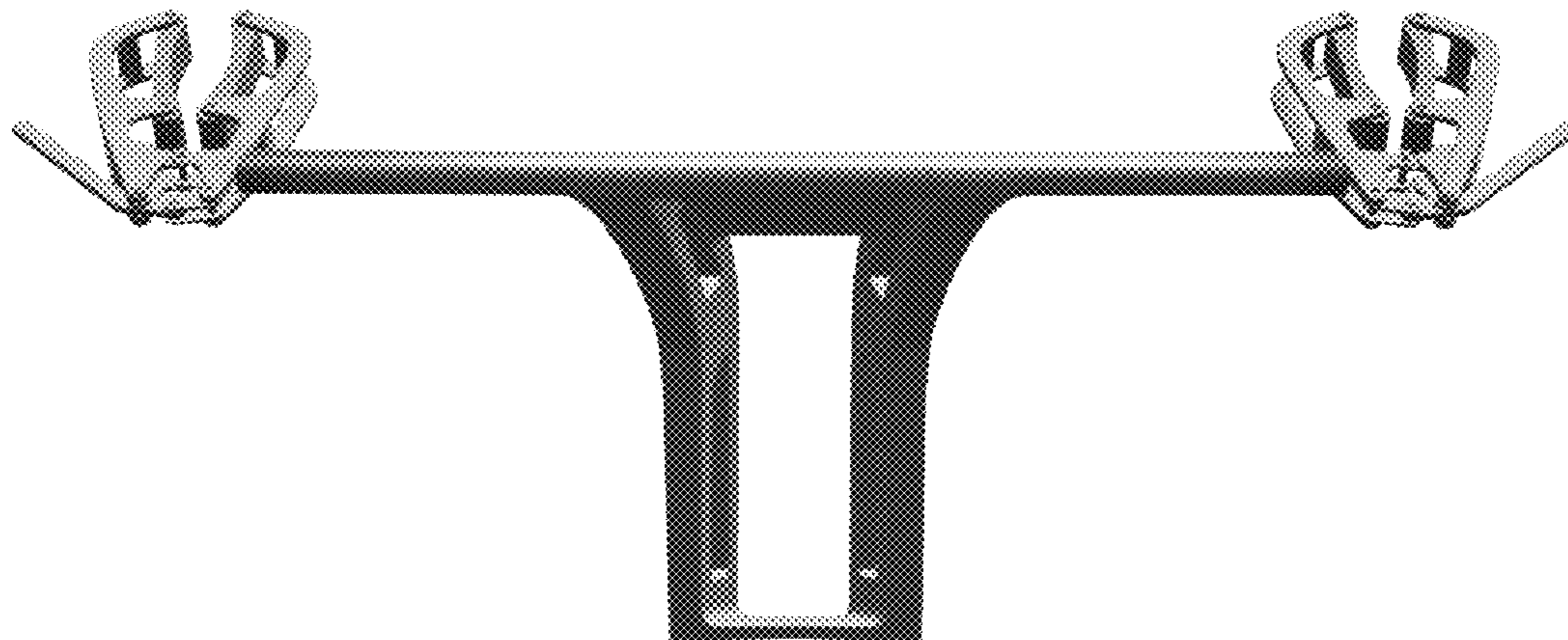
The ornamental design for a vehicle component, as shown and described.

**DESCRIPTION**

FIG. 1 is a front perspective view of a vehicle component; FIG. 2 is a rear perspective view of a vehicle component; FIG. 3 is front view of a vehicle component; FIG. 4 is a rear view of a vehicle component; FIG. 5 is a top view of a vehicle component; FIG. 6 is a bottom view of a vehicle component; FIG. 7 is a side view of a vehicle component; and, FIG. 8 is a supplemental rear perspective view of a vehicle component.

Portions of the figures shown in diagonal lines are for illustrative purposes only and form no part of the claimed design.

**1 Claim, 5 Drawing Sheets**



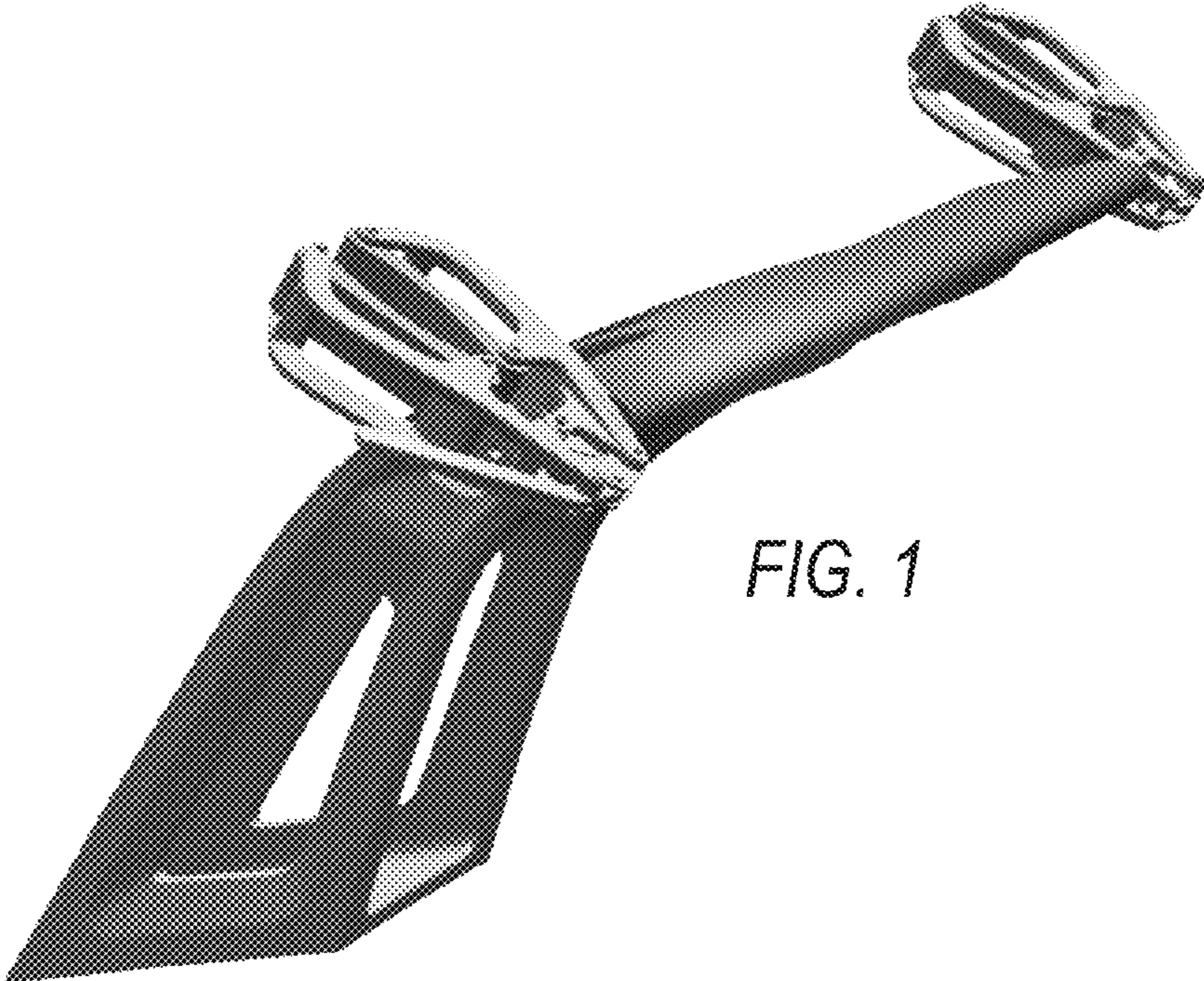


FIG. 1

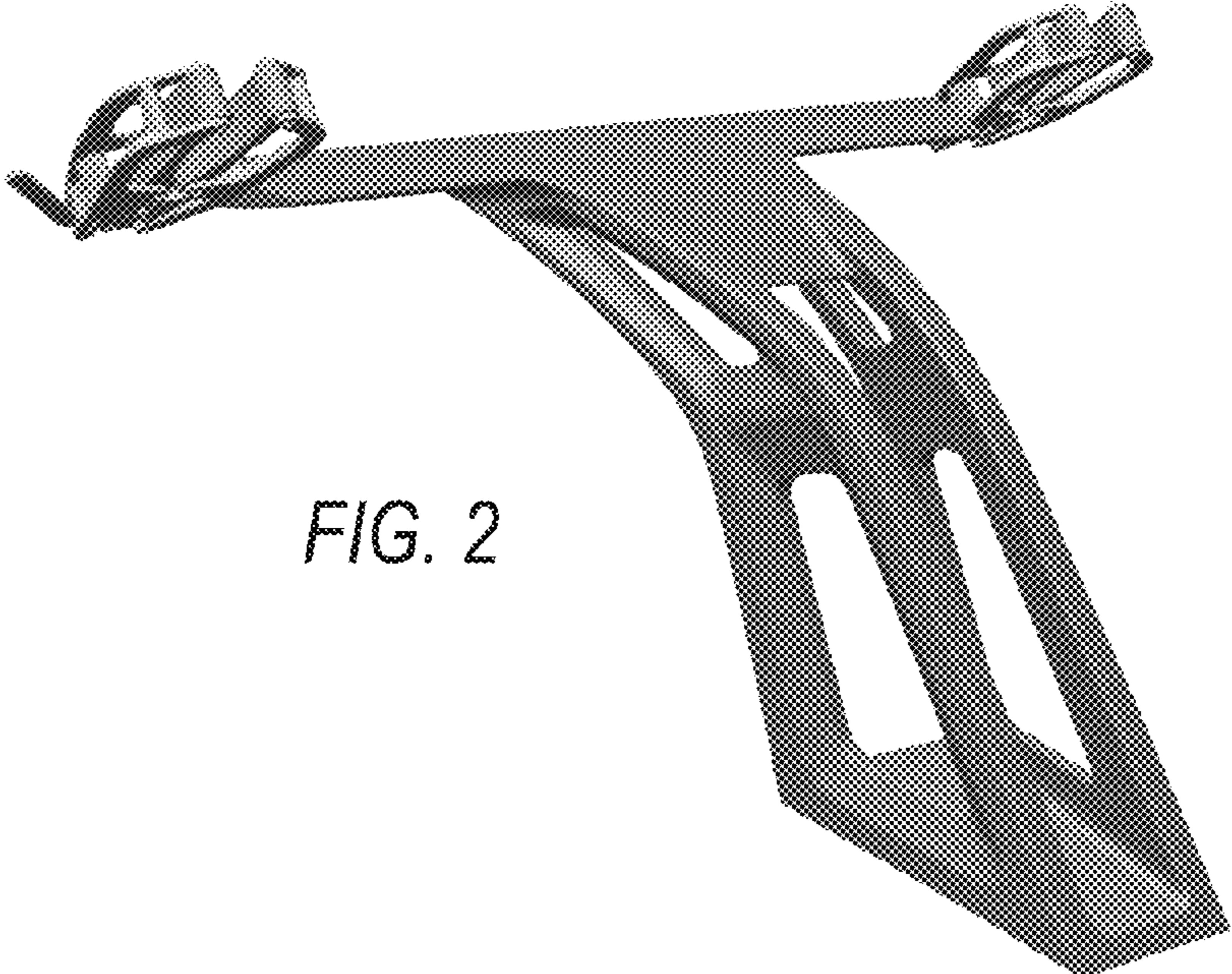


FIG. 2

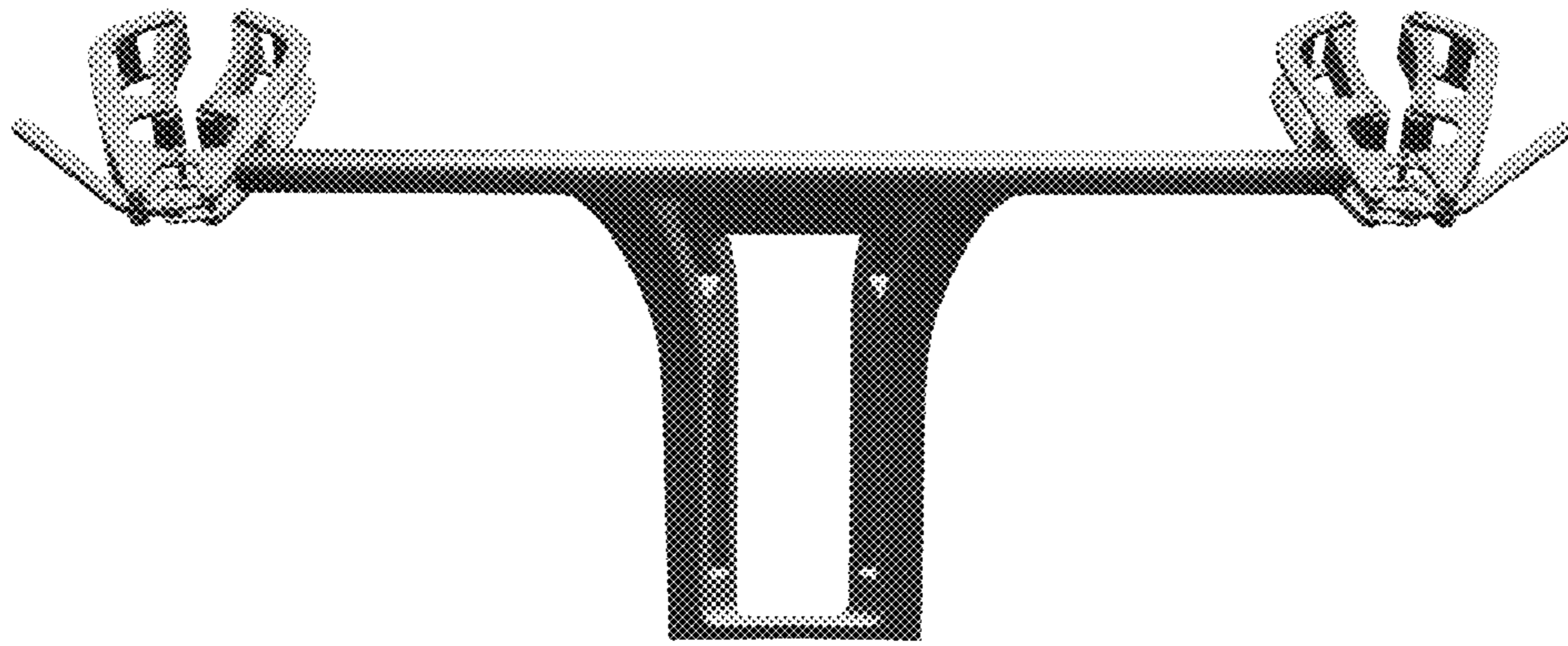


FIG. 3

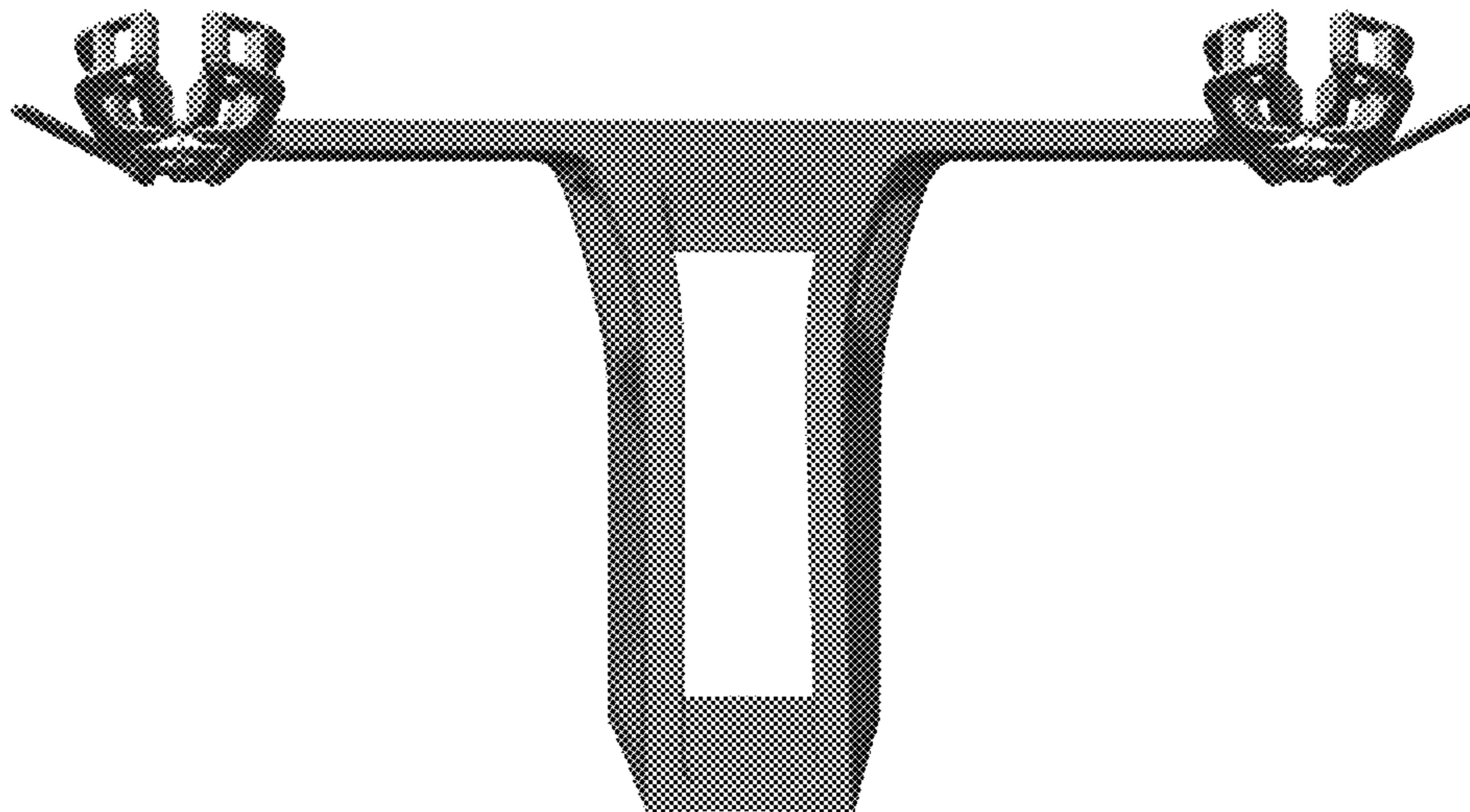


FIG. 4



FIG. 5

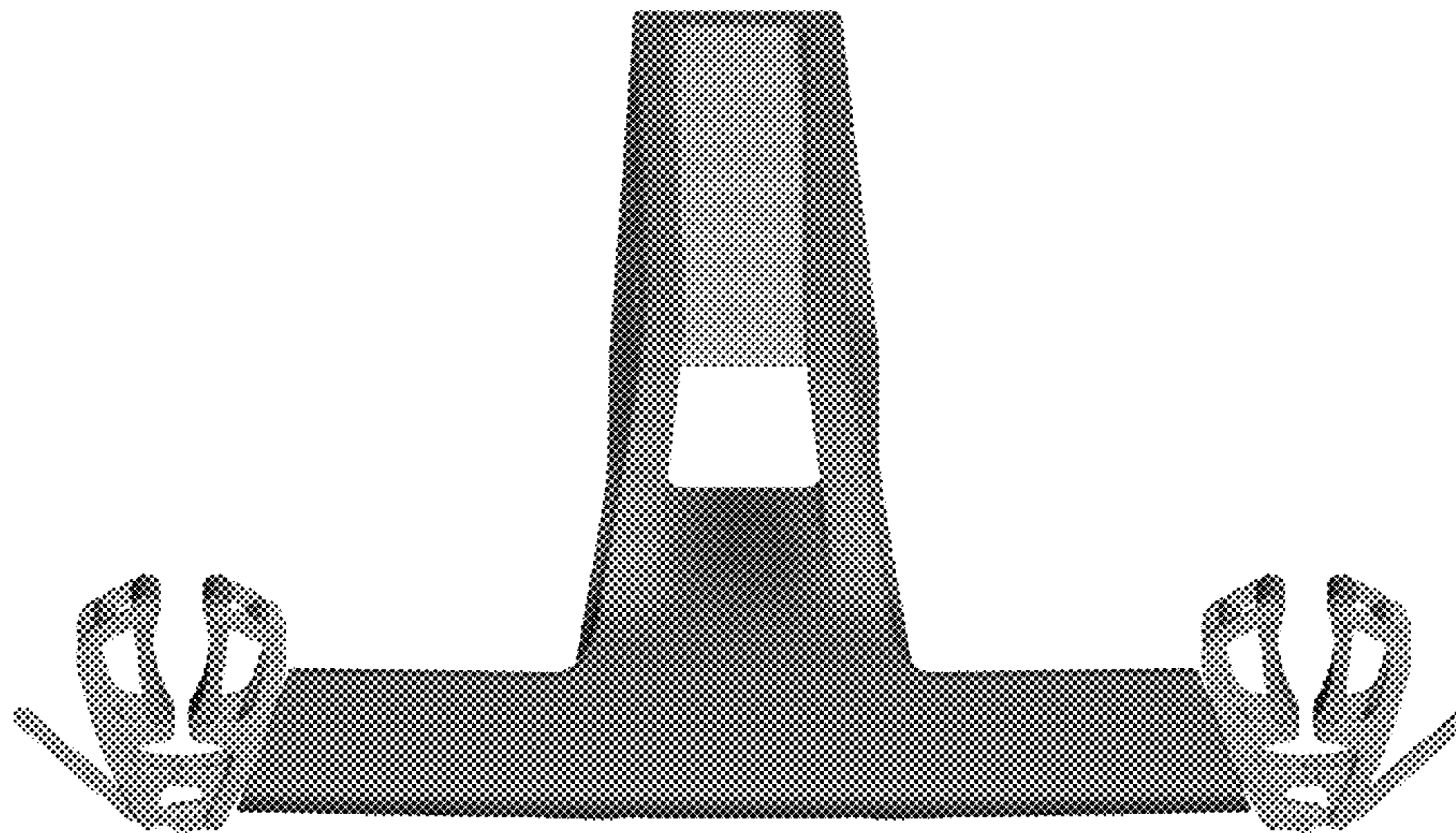
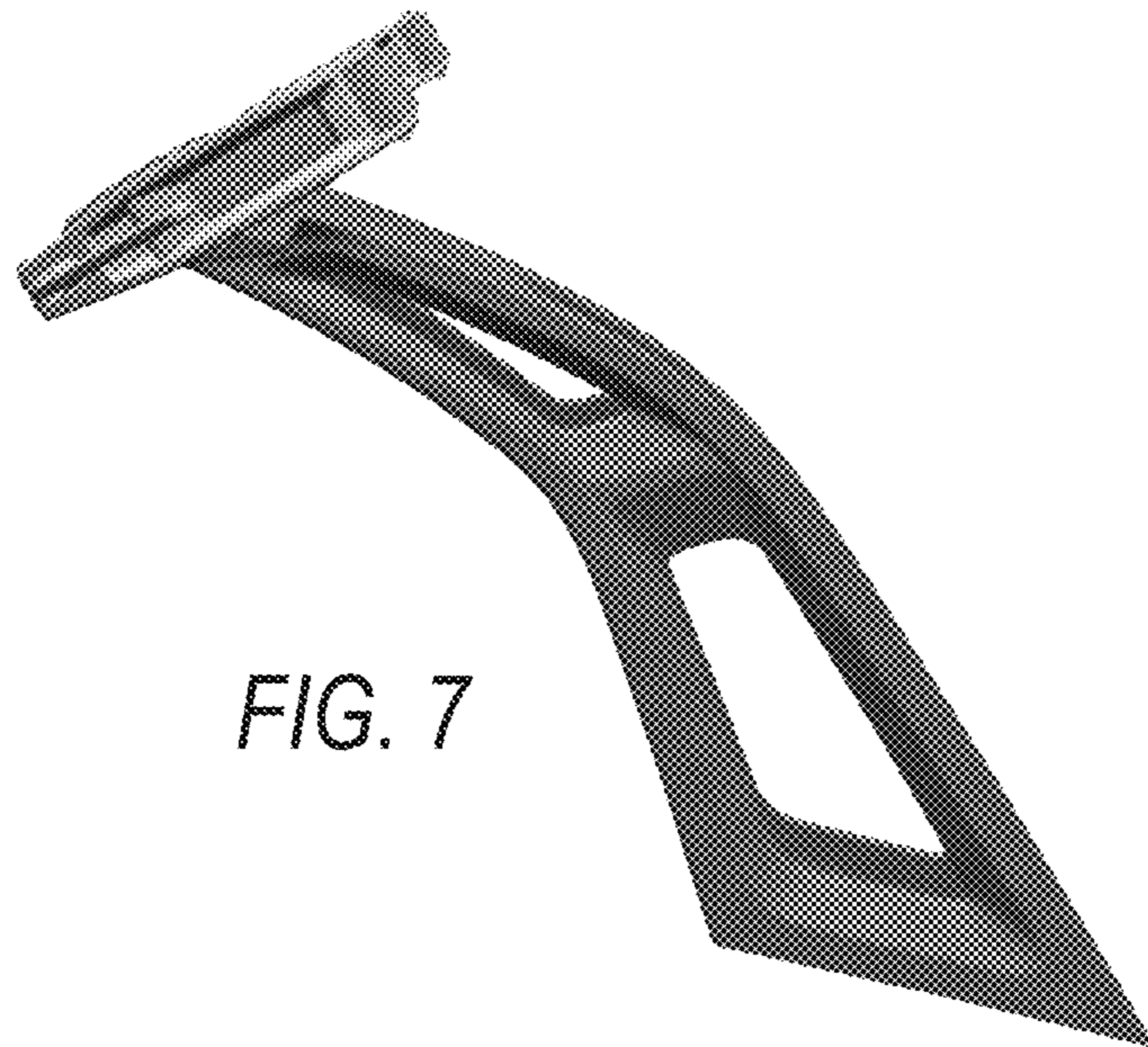


FIG. 6



*FIG. 7*

