



US00D755108S

(12) **United States Design Patent**
Yamamoto

(10) **Patent No.:** **US D755,108 S**
(45) **Date of Patent:** **** May 3, 2016**

(54) **BOAT**

(71) Applicant: **Yamaha Hatsudoki Kabushiki Kaisha,**
Shizuoka-ken (JP)

(72) Inventor: **Hisashi Yamamoto,** Kyoto (JP)

(73) Assignee: **YAMAHA HATSUDOKI**
KABUSHIKI KAISHA (JP)

(**) Term: **14 Years**

(21) Appl. No.: **29/514,357**

(22) Filed: **Jan. 12, 2015**

(51) **LOC (10) Cl.** **12-06**

(52) **U.S. Cl.**
USPC **D12/300**

(58) **Field of Classification Search**
USPC D12/300, 302, 303, 304, 307, 310-314,
D12/316, 317; 114/39.11-39.15,
114/39.21-39.32, 61.1, 61.2, 61.32, 61.33,
114/62, 355-358, 271, 273, 283, 288-292,
114/343, 363; 440/27, 35
CPC B63B 17/00; B63B 17/02; B63B 35/81;
B63B 35/816; B62B 21/04

See application file for complete search history.

(56) **References Cited**

U.S. PATENT DOCUMENTS

D297,528 S *	9/1988	May	D12/300
D334,167 S *	3/1993	Riley	D12/313
5,715,770 A *	2/1998	Heyworth	B63B 21/58
				114/249
D524,714 S *	7/2006	Barbeito	D12/300
7,438,014 B2 *	10/2008	Kim	B63B 7/082
				114/345
D606,481 S *	12/2009	Stepp	D12/317
D701,820 S *	4/2014	Pierce	D12/317
9,102,384 B2 *	8/2015	Pierce	B63B 17/02

* cited by examiner

Primary Examiner — Cynthia M Chin

(74) *Attorney, Agent, or Firm* — Ostrolenk Faber LLP

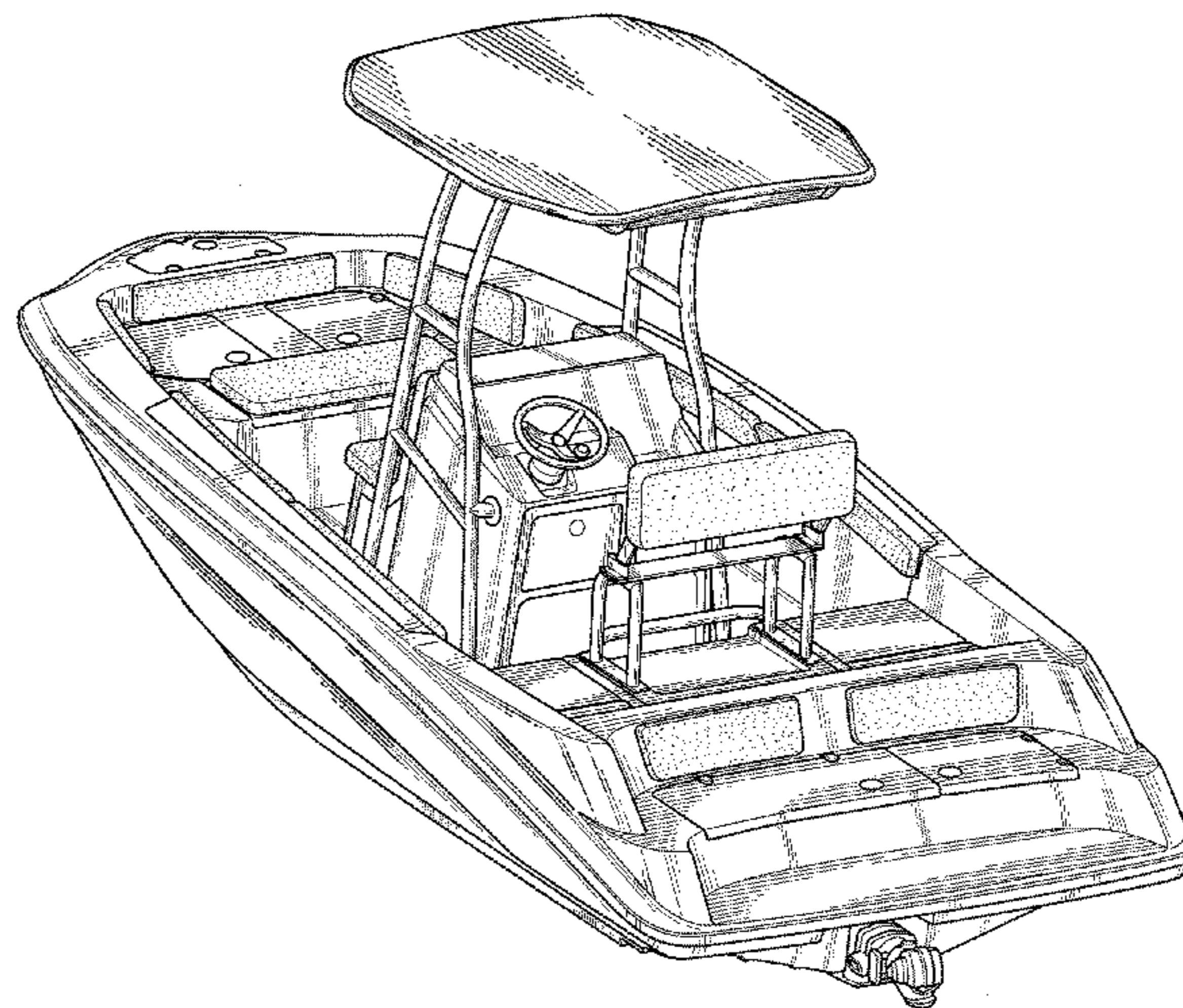
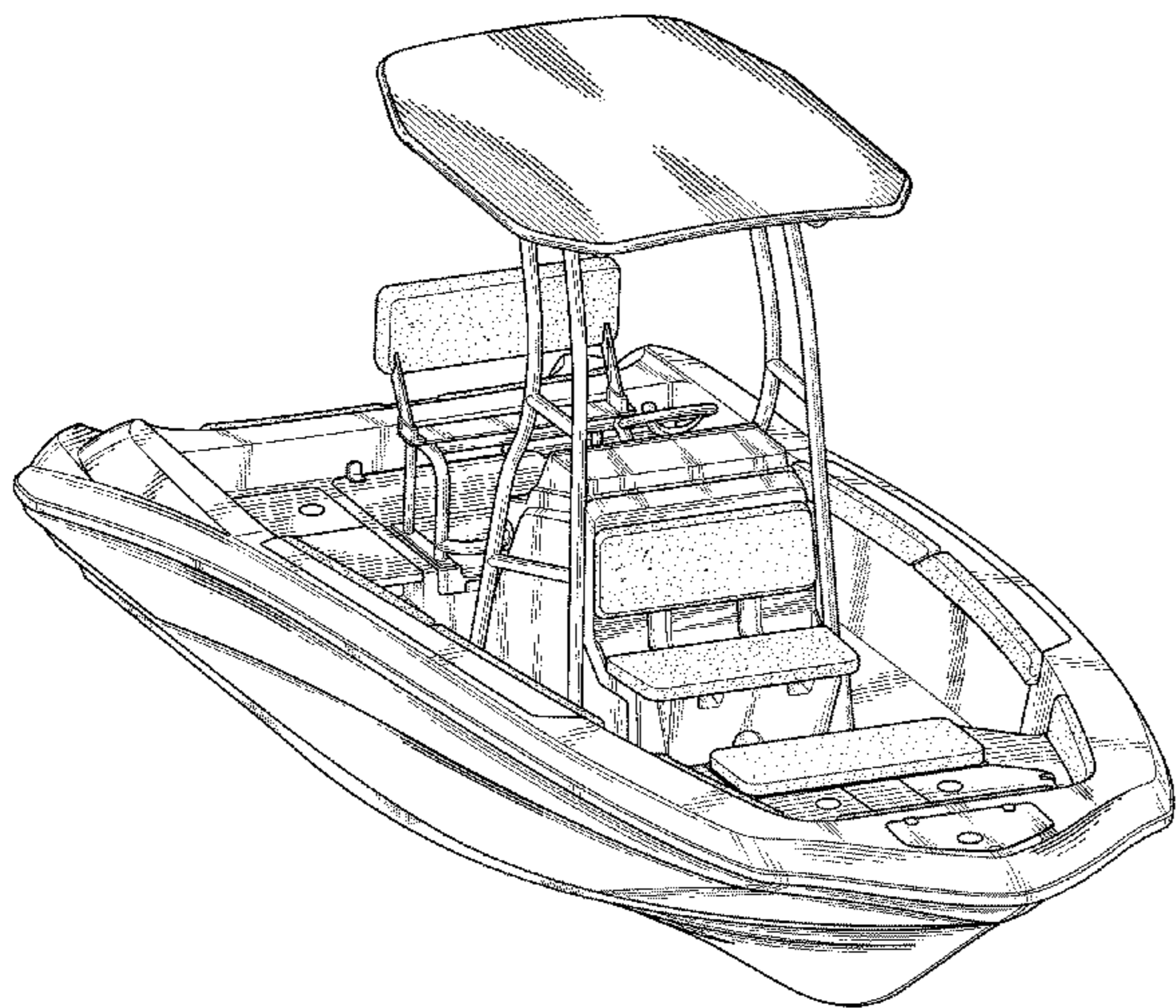
(57) **CLAIM**

The ornamental design for a boat, as shown and described.

DESCRIPTION

FIG. 1 is a first perspective view of a boat;
FIG. 2 is a second perspective view thereof;
FIG. 3 is a front view thereof;
FIG. 4 is a rear view thereof;
FIG. 5 is a left side view thereof;
FIG. 6 is a right side view thereof;
FIG. 7 is a top view thereof; and,
FIG. 8 is a bottom view thereof.

1 Claim, 8 Drawing Sheets



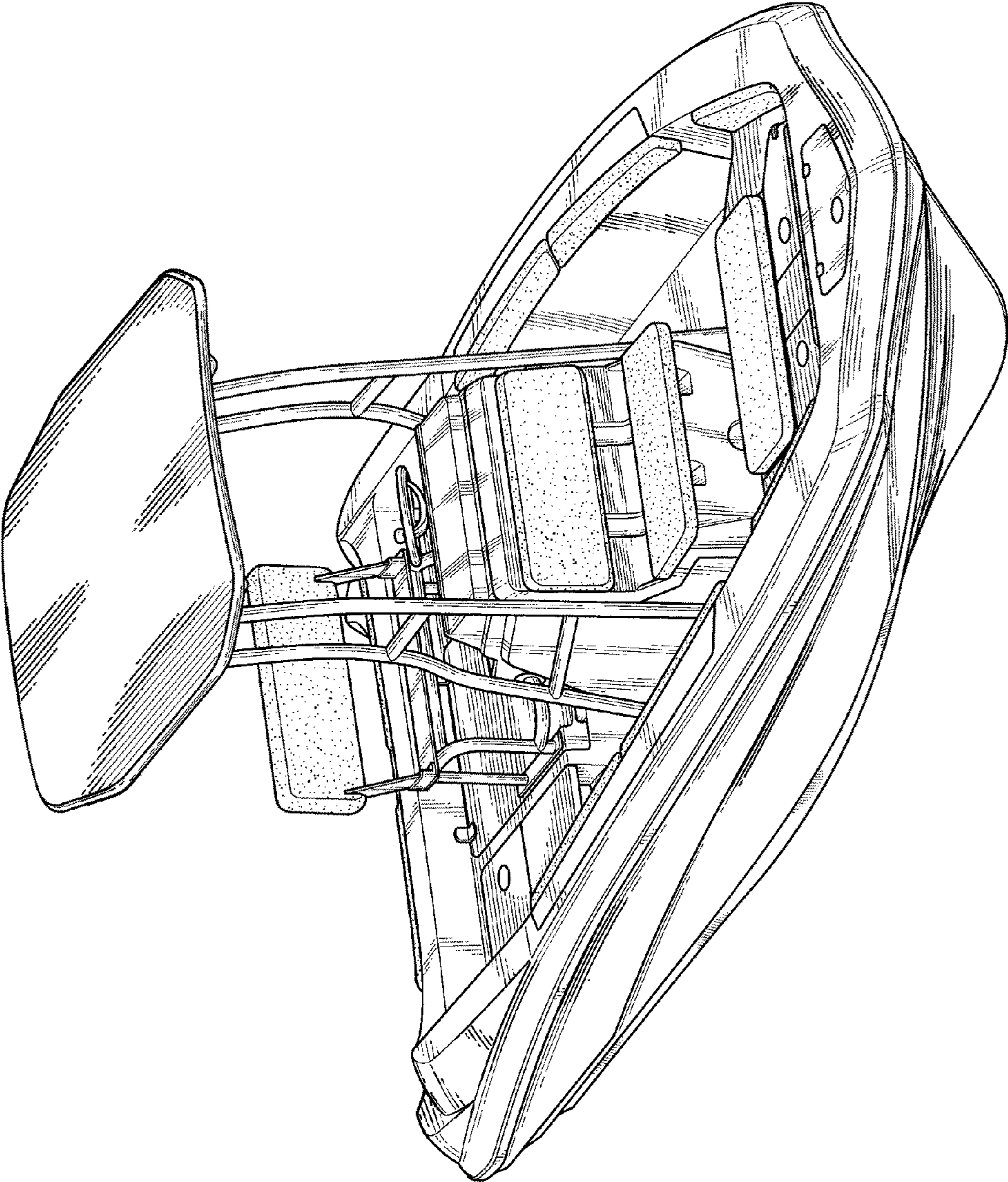


Fig. 1

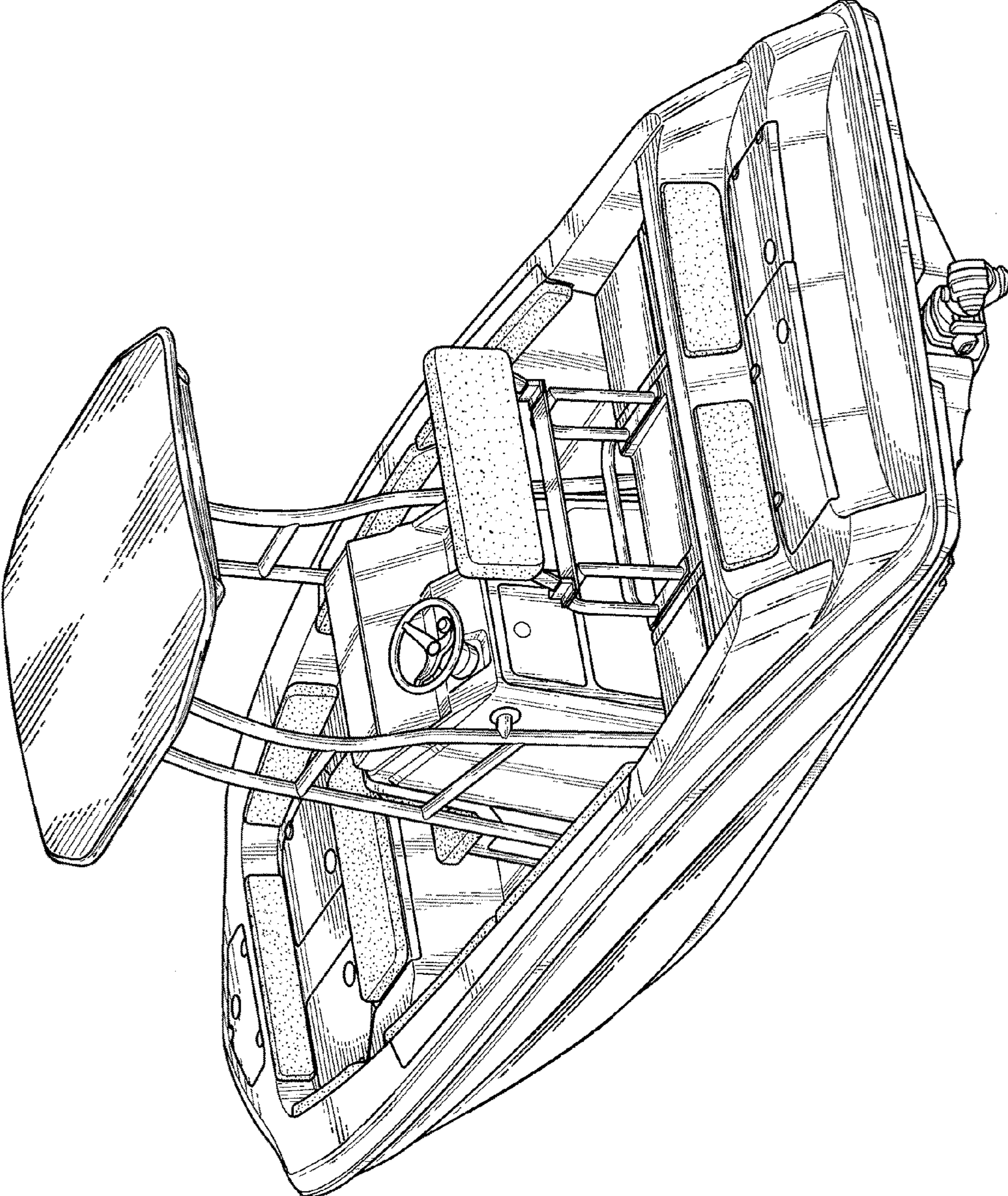


Fig. 2

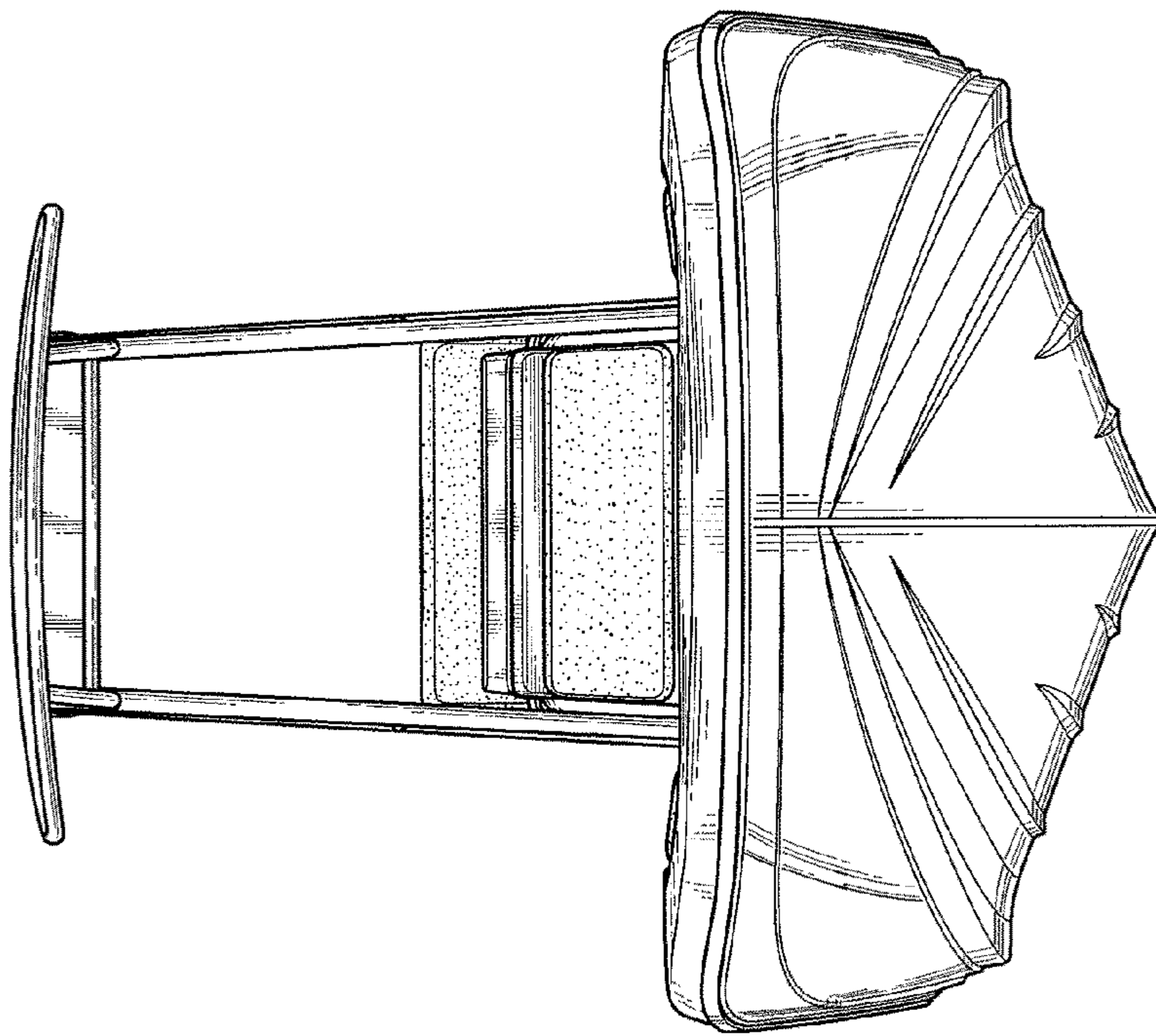


Fig. 3

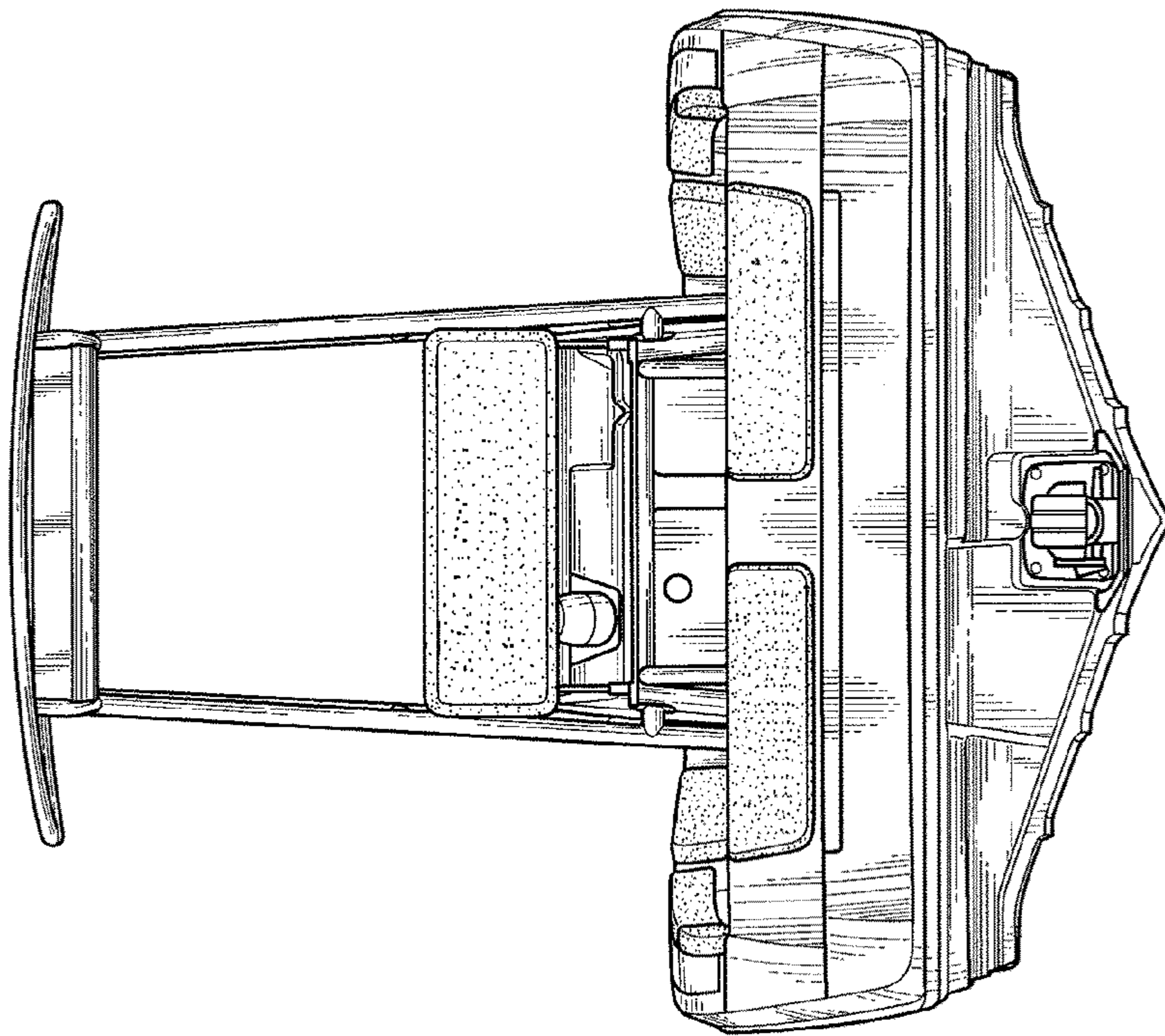


Fig. 4

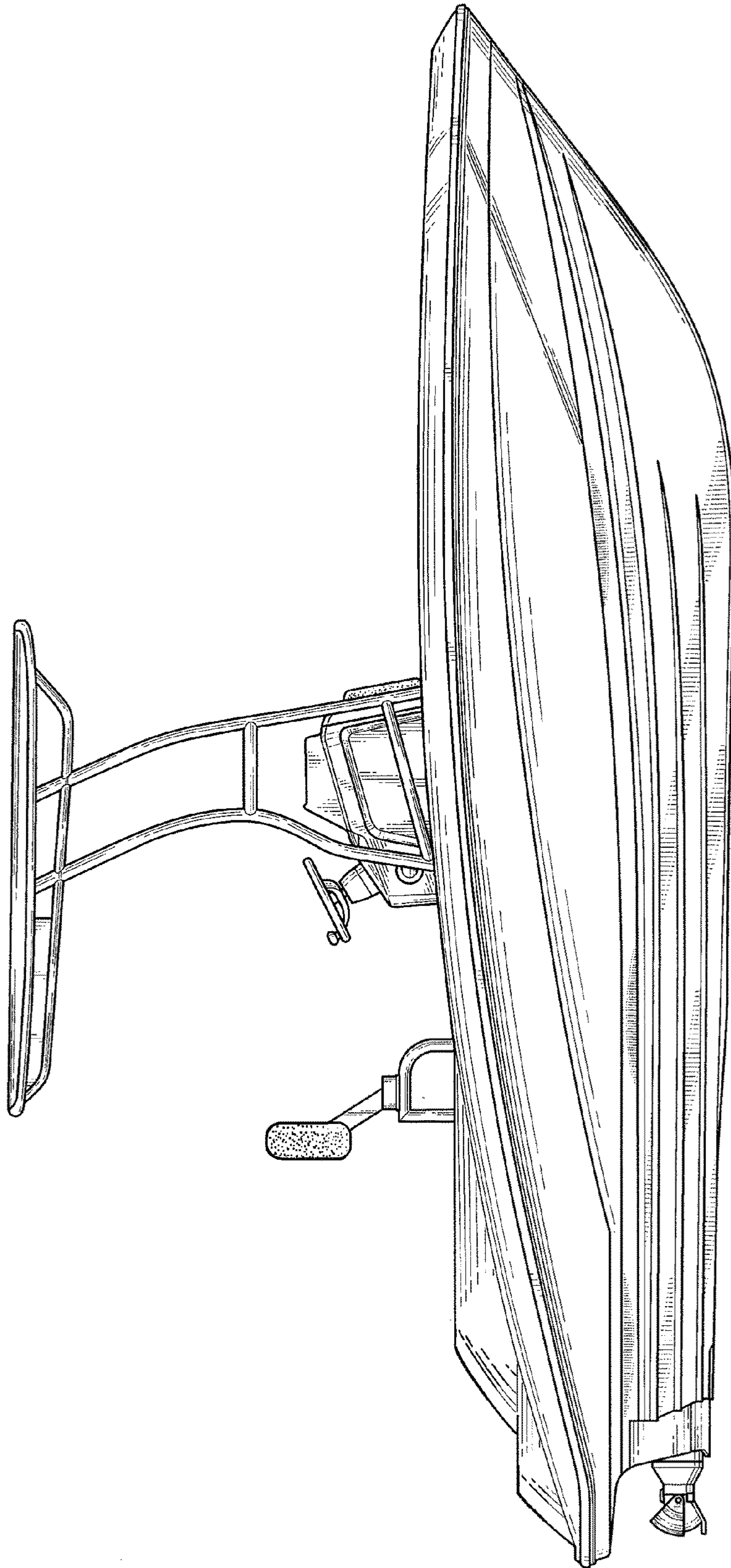


Fig. 5

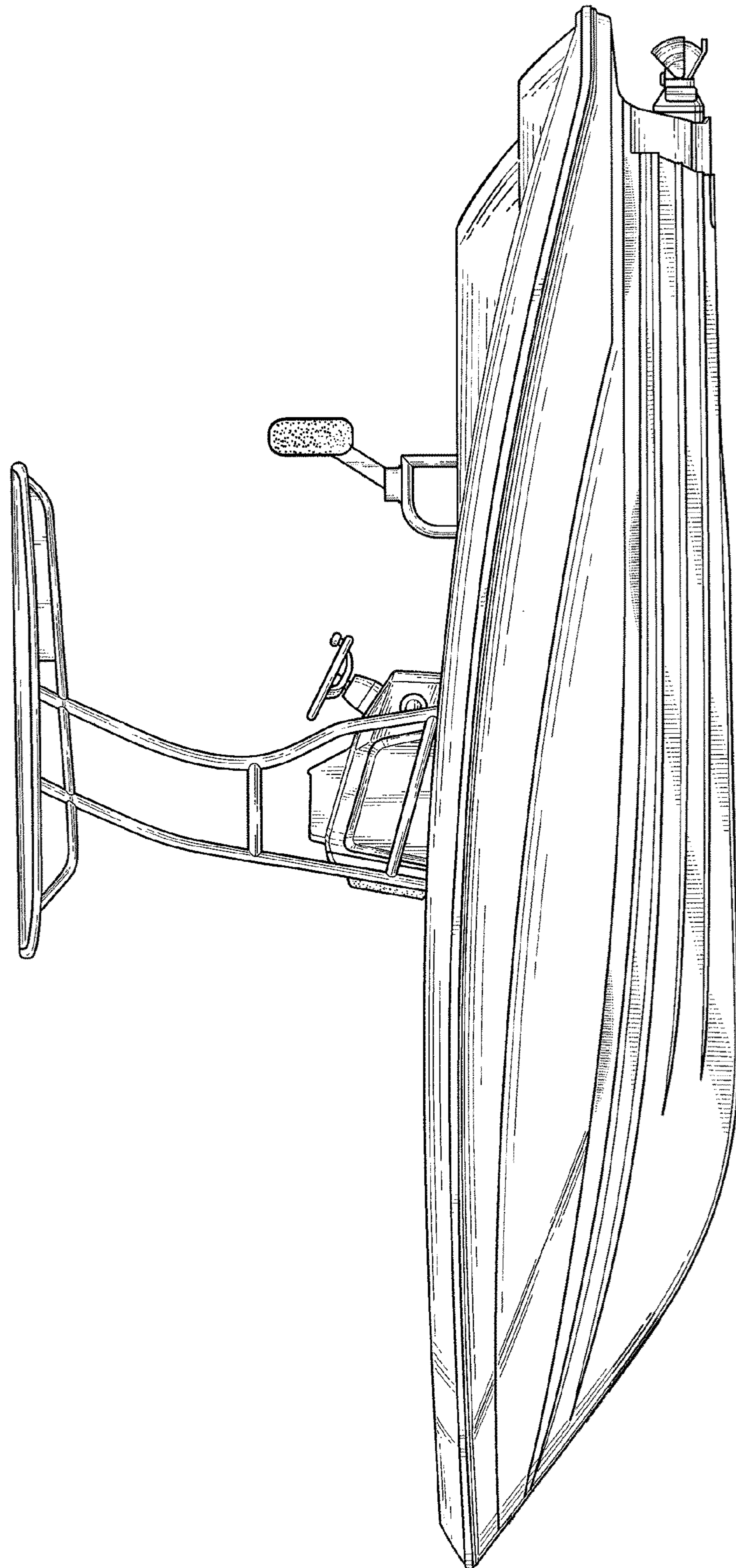


Fig. 6

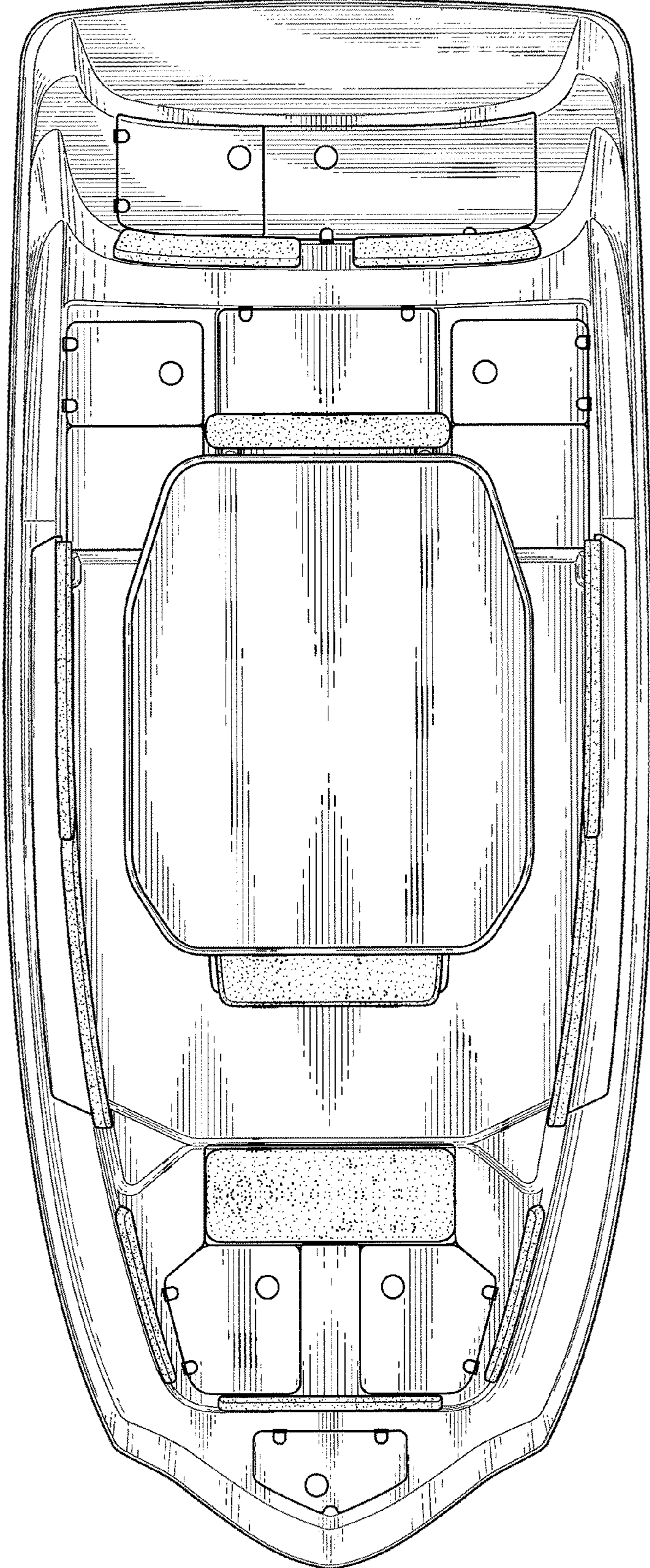


Fig. 7

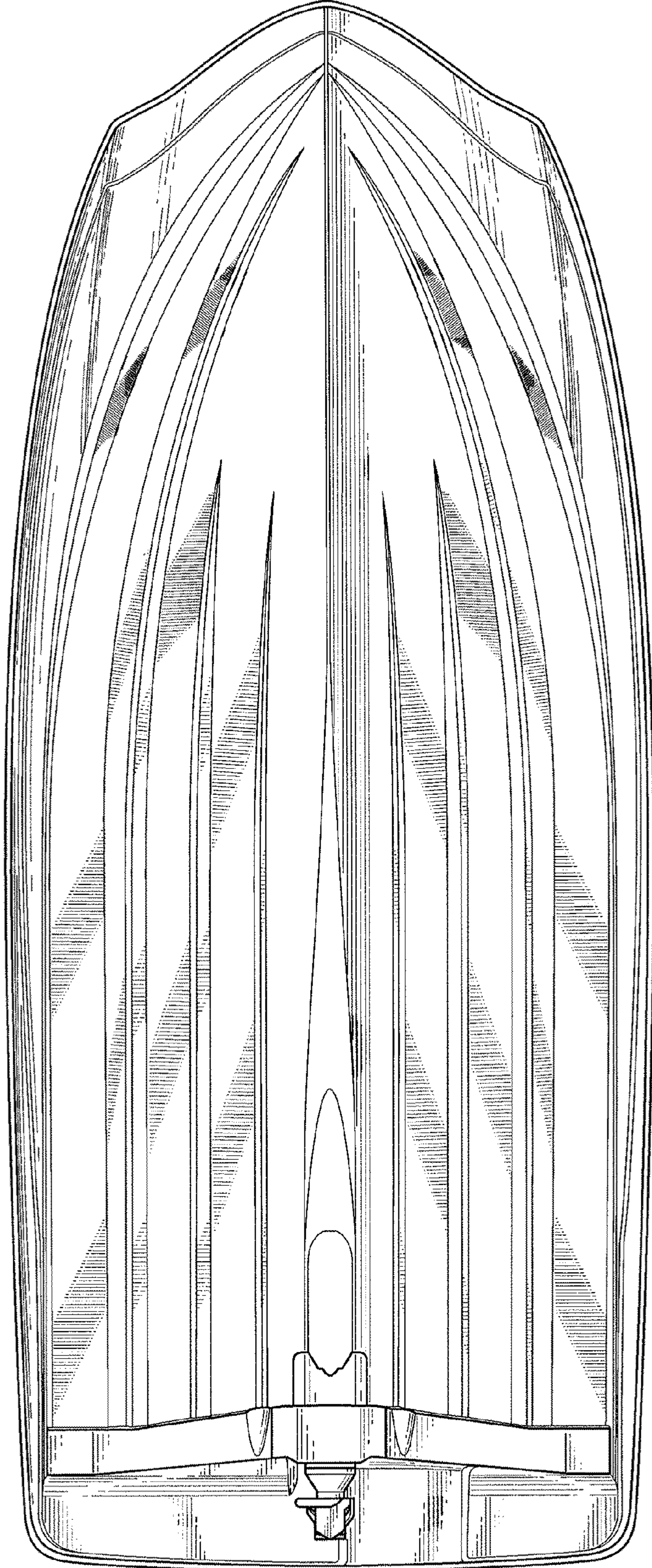


Fig. 8