

US00D755104S

(12) **United States Design Patent**
Chu et al.

(10) **Patent No.:** **US D755,104 S**

(45) **Date of Patent:** **** May 3, 2016**

(54) **WHEEL OR WHEEL COVER**

(71) Applicant: **Daimler AG**, Stuttgart (DE)

(72) Inventors: **Edgar Chu**, Stuttgart (DE); **Bernhard Hans**, Kirchberg (DE)

(73) Assignee: **Daimler AG**, Stuttgart (DE)

(**) Term: **14 Years**

(21) Appl. No.: **29/491,699**

(22) Filed: **May 23, 2014**

(30) **Foreign Application Priority Data**

Nov. 25, 2013 (EM) 002351247-0008

(51) **LOC (10) Cl.** **12-16**

(52) **U.S. Cl.**
USPC **D12/211**

(58) **Field of Classification Search**
USPC D12/204-213
CPC B60B 7/00; B60B 7/02; B60B 7/04;
B60B 7/01; B60B 7/06; B60B 3/02; B60B
3/04; B60B 3/06; B60B 3/10; B60B 1/00;
B60B 1/08; B60B 1/10; B60B 1/12

See application file for complete search history.

(56) **References Cited**

U.S. PATENT DOCUMENTS

D542,211 S *	5/2007	Hieke	D12/211
D544,823 S *	6/2007	Hieke	D12/211
D582,328 S *	12/2008	Hieke	D12/209
D602,834 S *	10/2009	Dilber	D12/211
D618,150 S *	6/2010	Hilpert	D12/209
D635,906 S *	4/2011	Futschik	D12/211
D649,923 S *	12/2011	Hans	D12/211
D656,078 S *	3/2012	Hans	D12/211
D669,008 S *	10/2012	von Holzhausen	D12/211
D676,795 S *	2/2013	Wachter	D12/211
D688,616 S *	8/2013	Fetherston	D12/211

* cited by examiner

Primary Examiner — Stacia Cadmus

(74) *Attorney, Agent, or Firm* — Crowell & Moring LLP

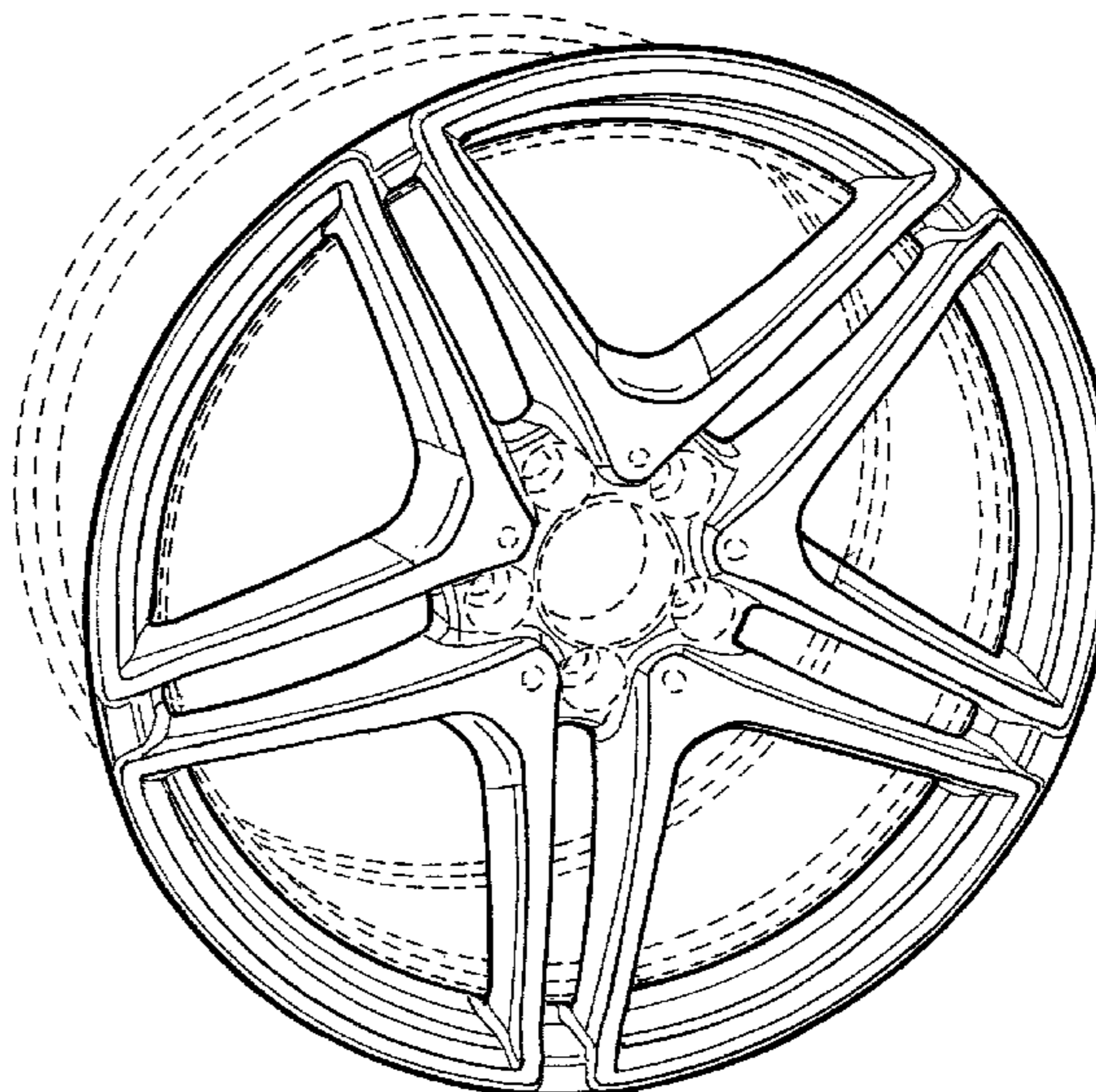
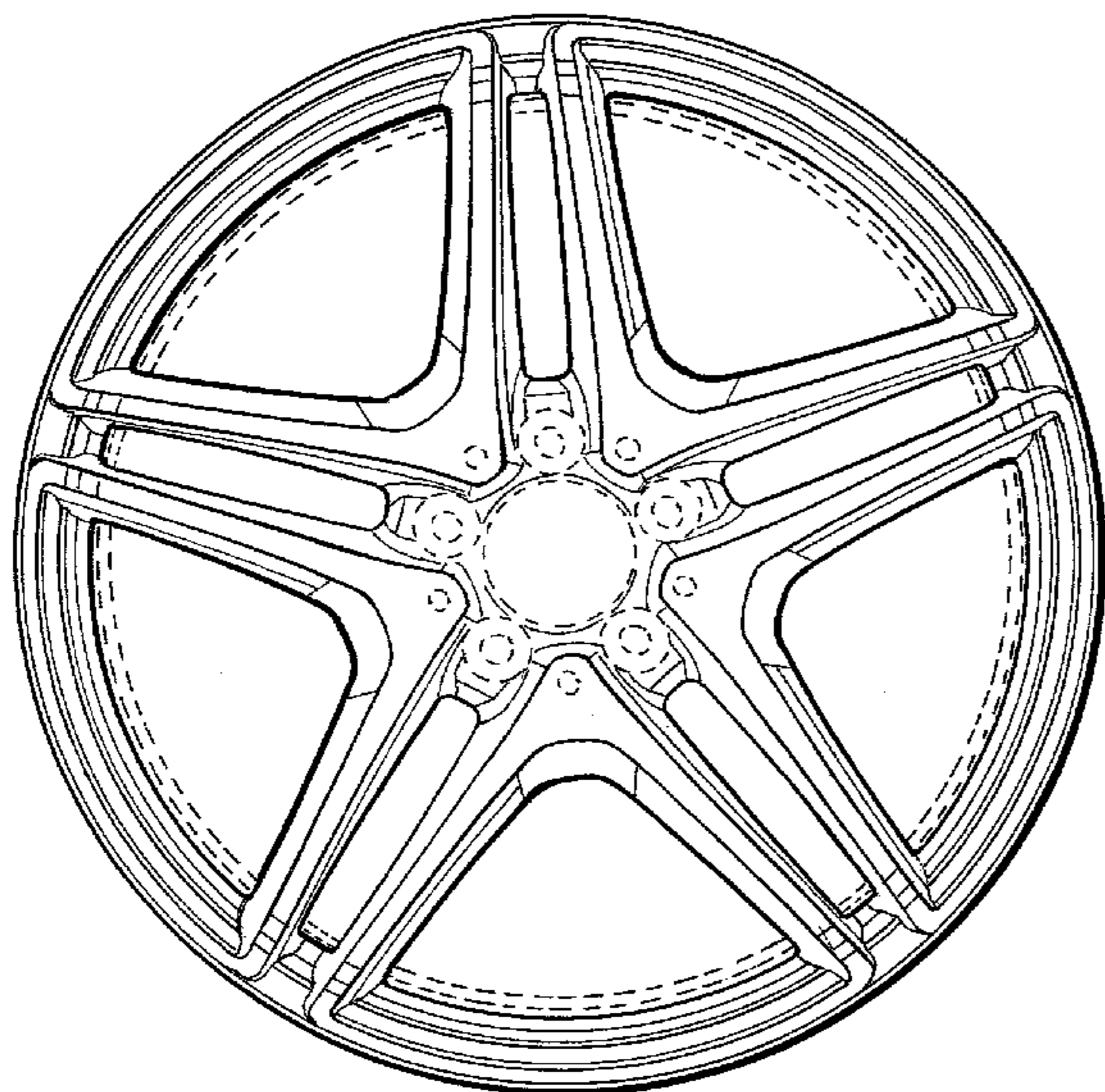
(57) **CLAIM**

The ornamental design for a wheel or wheel cover, as shown and described.

DESCRIPTION

FIG. 1 is a front view of a wheel or wheel cover according to the design; and,
FIG. 2 is a perspective view thereof.
The broken lines are for illustrative purposes only and form no part of the claimed design.

1 Claim, 1 Drawing Sheet



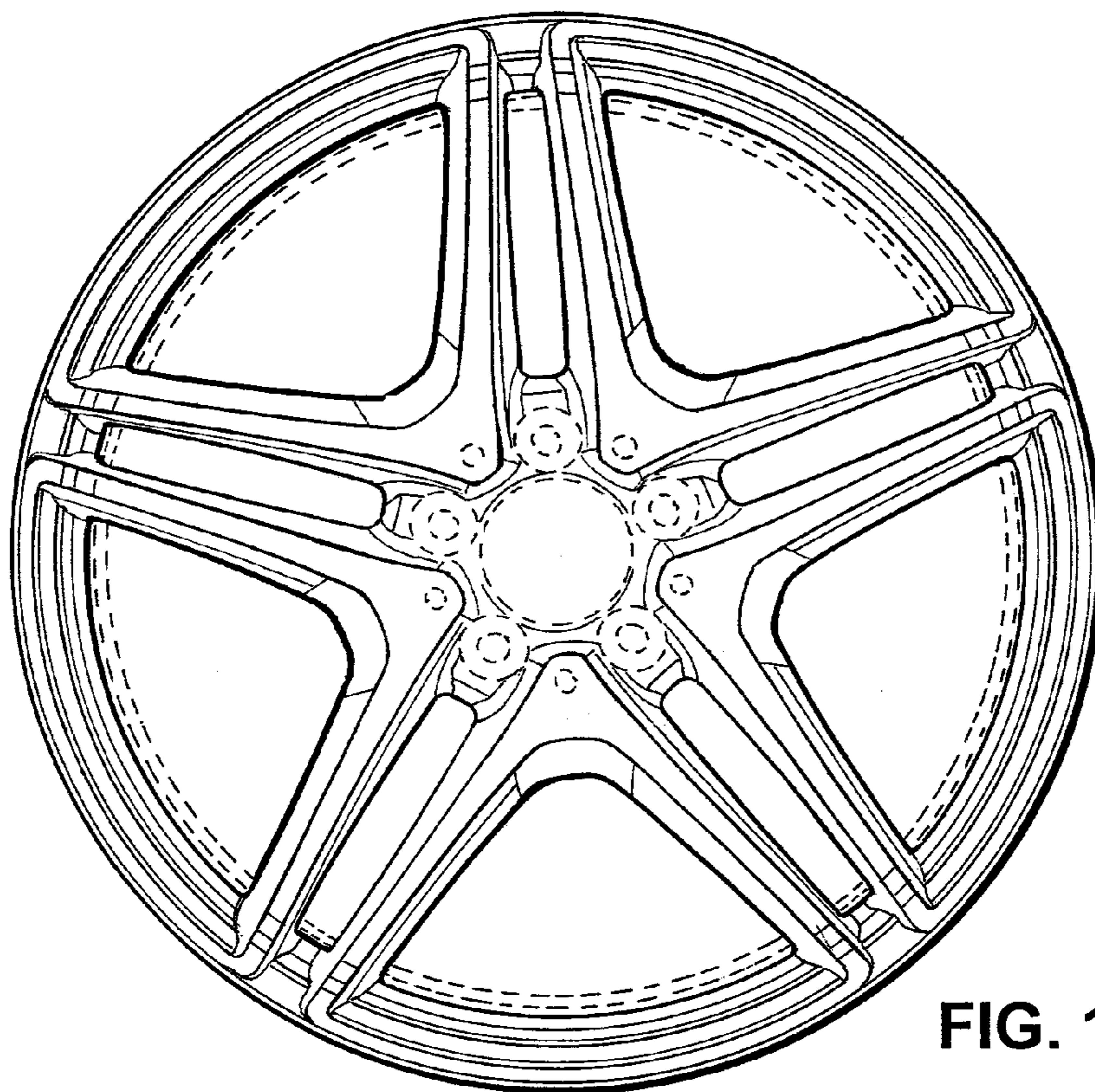


FIG. 1

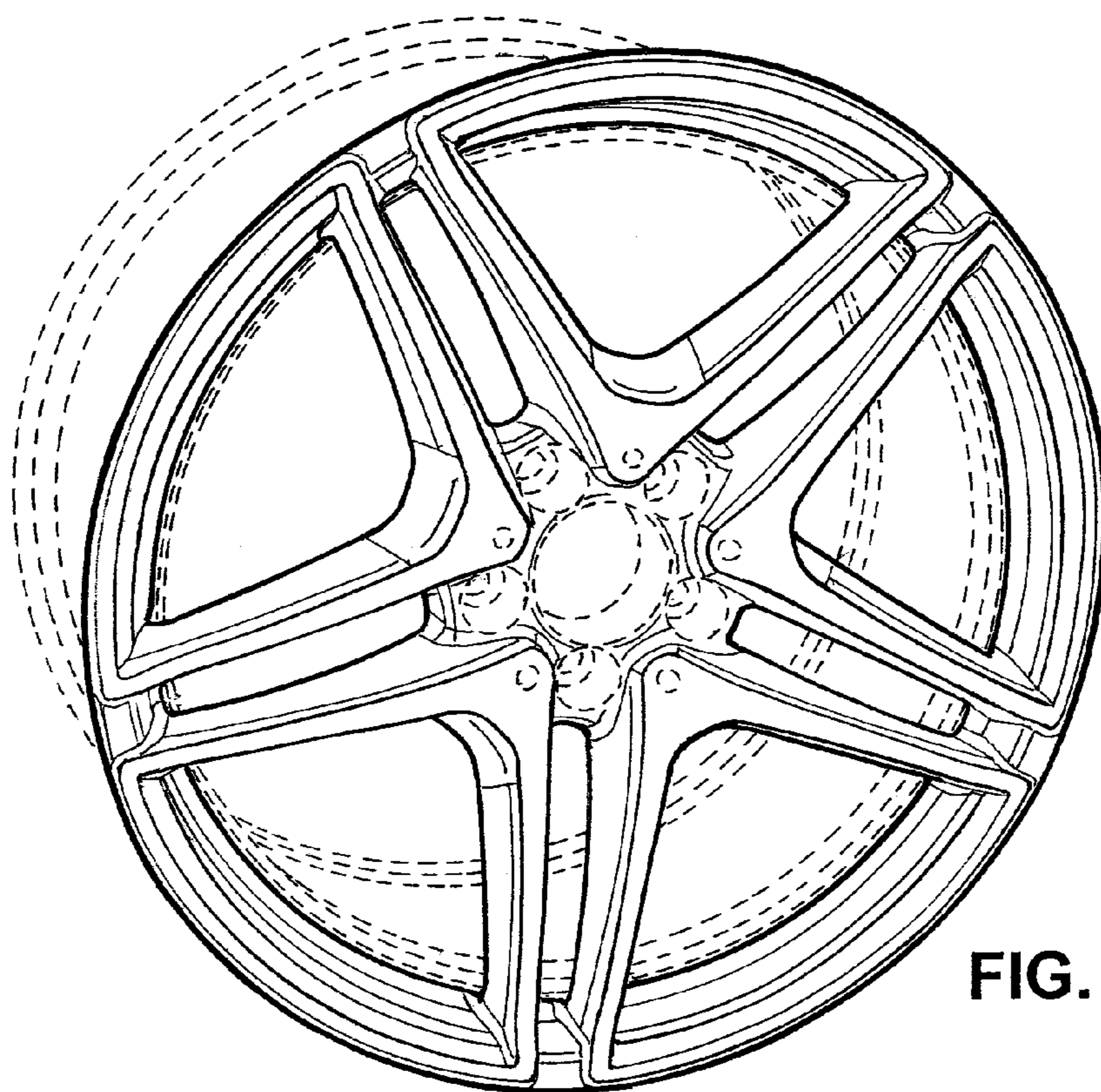


FIG. 2