



US00D755103S

(12) **United States Design Patent**
Hans et al.

(10) **Patent No.:** **US D755,103 S**

(45) **Date of Patent:** **** May 3, 2016**

(54) **WHEEL OR WHEEL COVER**

(71) Applicant: **Daimler AG**, Stuttgart (DE)

(72) Inventors: **Bernhard Hans**, Kirchberg (DE);
Daniel Krisch, Schwaikheim (DE)

(73) Assignee: **Daimler AG**, Stuttgart (DE)

(**) Term: **14 Years**

(21) Appl. No.: **29/491,696**

(22) Filed: **May 23, 2014**

(30) **Foreign Application Priority Data**

Nov. 25, 2013 (EM) 002351247-0002

(51) **LOC (10) Cl.** **12-16**

(52) **U.S. Cl.**
USPC **D12/211**

(58) **Field of Classification Search**
USPC D12/204–213
CPC B60B 7/00; B60B 7/02; B60B 7/04;
B60B 7/01; B60B 7/06; B60B 3/02; B60B
3/04; B60B 3/06; B60B 3/10; B60B 1/00;
B60B 1/08; B60B 1/10; B60B 1/12

See application file for complete search history.

(56) **References Cited**

U.S. PATENT DOCUMENTS

D470,093	S	*	2/2003	Frizzi	D12/209
D522,946	S	*	6/2006	Hieke	D12/209
D522,947	S	*	6/2006	Hieke	D12/209
D542,211	S	*	5/2007	Hieke	D12/211
D542,729	S	*	5/2007	Hieke	D12/211
D572,646	S	*	7/2008	Hieke	D12/209
D578,949	S	*	10/2008	Hieke	D12/211
D582,328	S	*	12/2008	Hieke	D12/209
D585,802	S	*	2/2009	Hieke	D12/209
D585,803	S	*	2/2009	Hieke	D12/209
D604,222	S	*	11/2009	Krisch	D12/211
D618,150	S	*	6/2010	Hilpert	D12/209
D638,772	S	*	5/2011	Hans	D12/211
D649,105	S	*	11/2011	Hilpert	D12/211
D666,956	S	*	9/2012	Hermann	D12/211
D671,063	S	*	11/2012	Hilpert	D12/211

* cited by examiner

Primary Examiner — Stacia Cadmus

(74) *Attorney, Agent, or Firm* — Crowell & Moring LLP

(57) **CLAIM**

The ornamental design for a wheel or wheel cover, as shown and described.

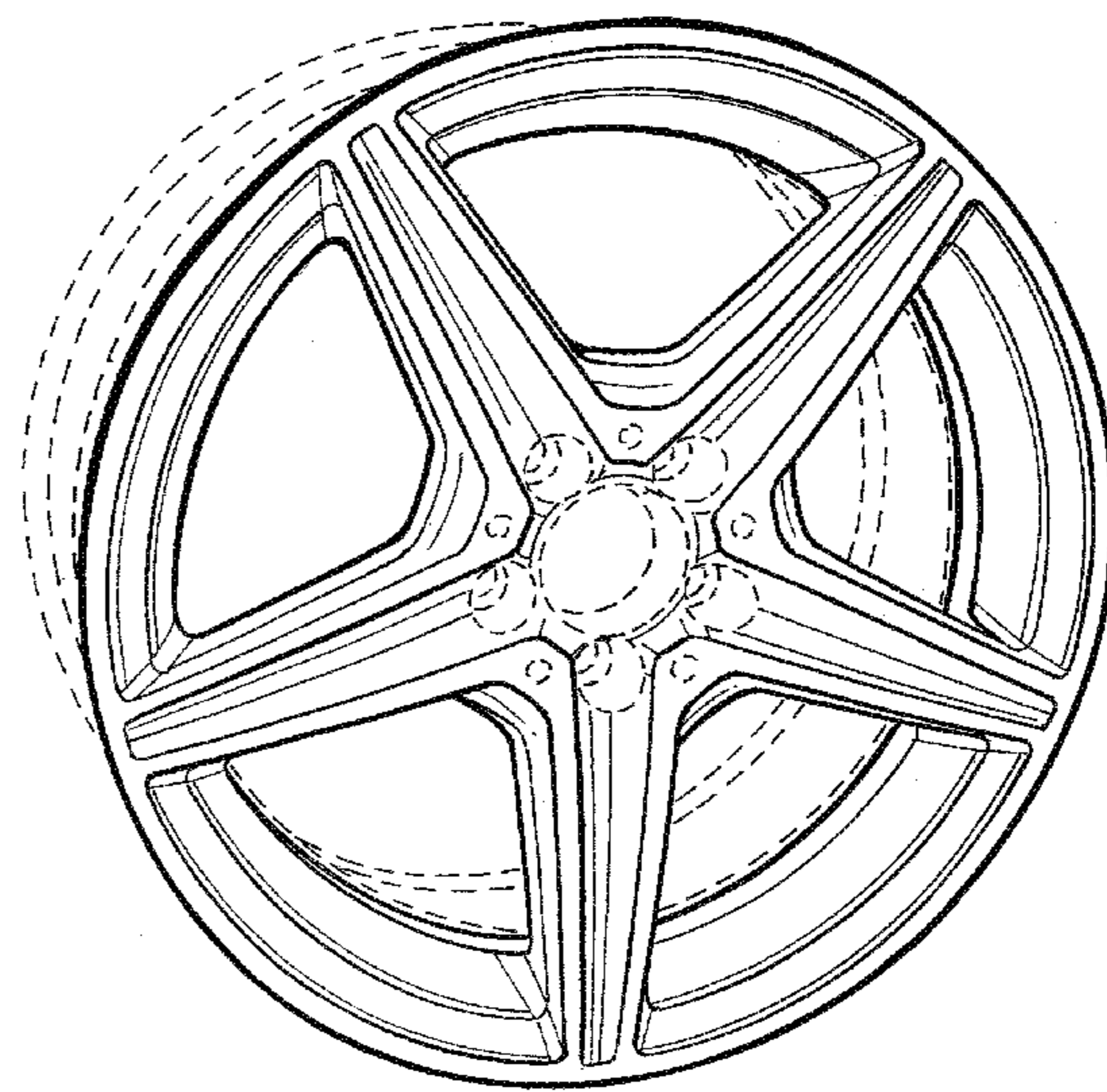
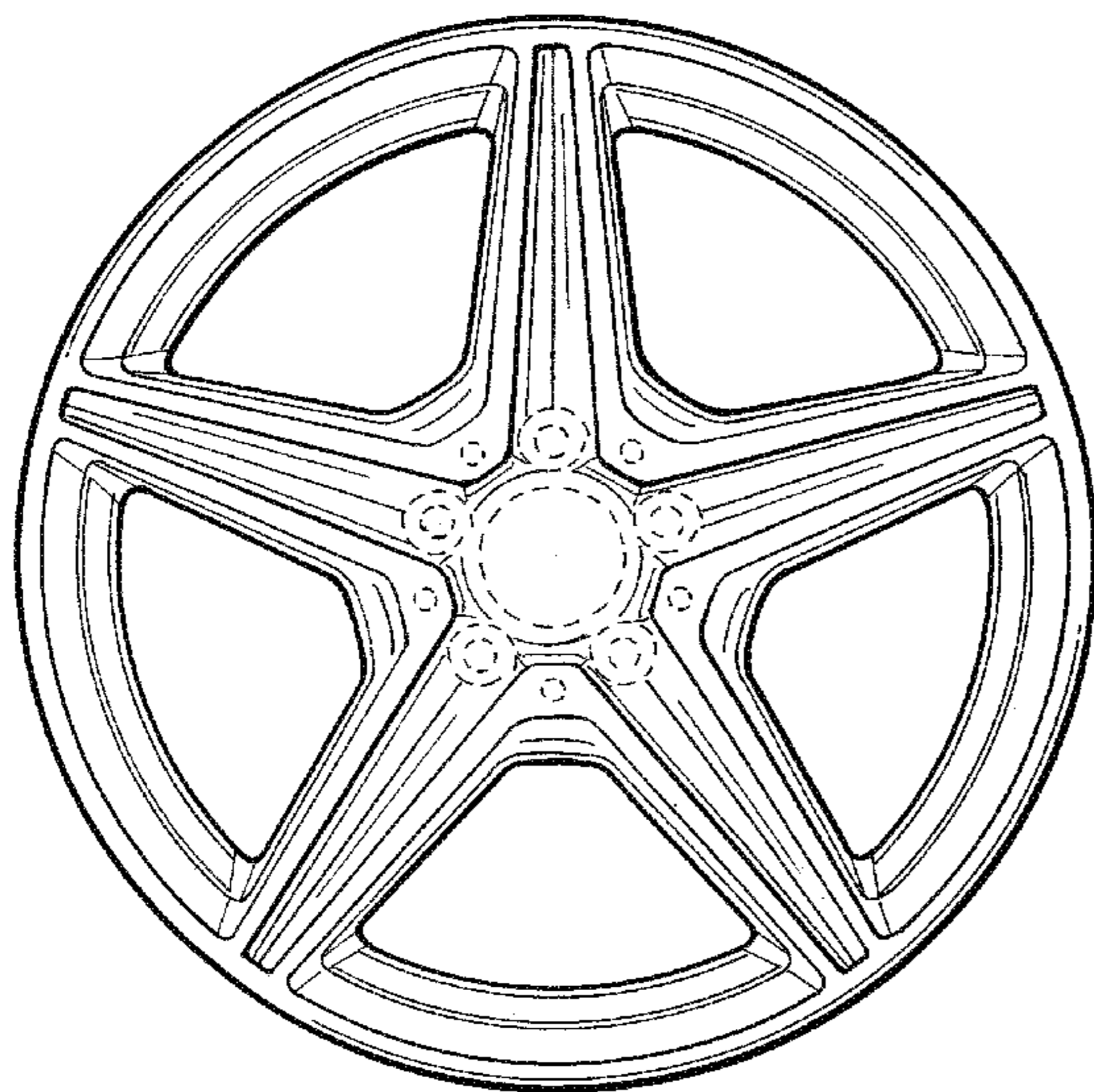
DESCRIPTION

FIG. 1 is a front view of a wheel or wheel cover according to the design; and,

FIG. 2 is a perspective view thereof.

The broken lines are for illustrative purposes only and form no part of the claimed design.

1 Claim, 1 Drawing Sheet



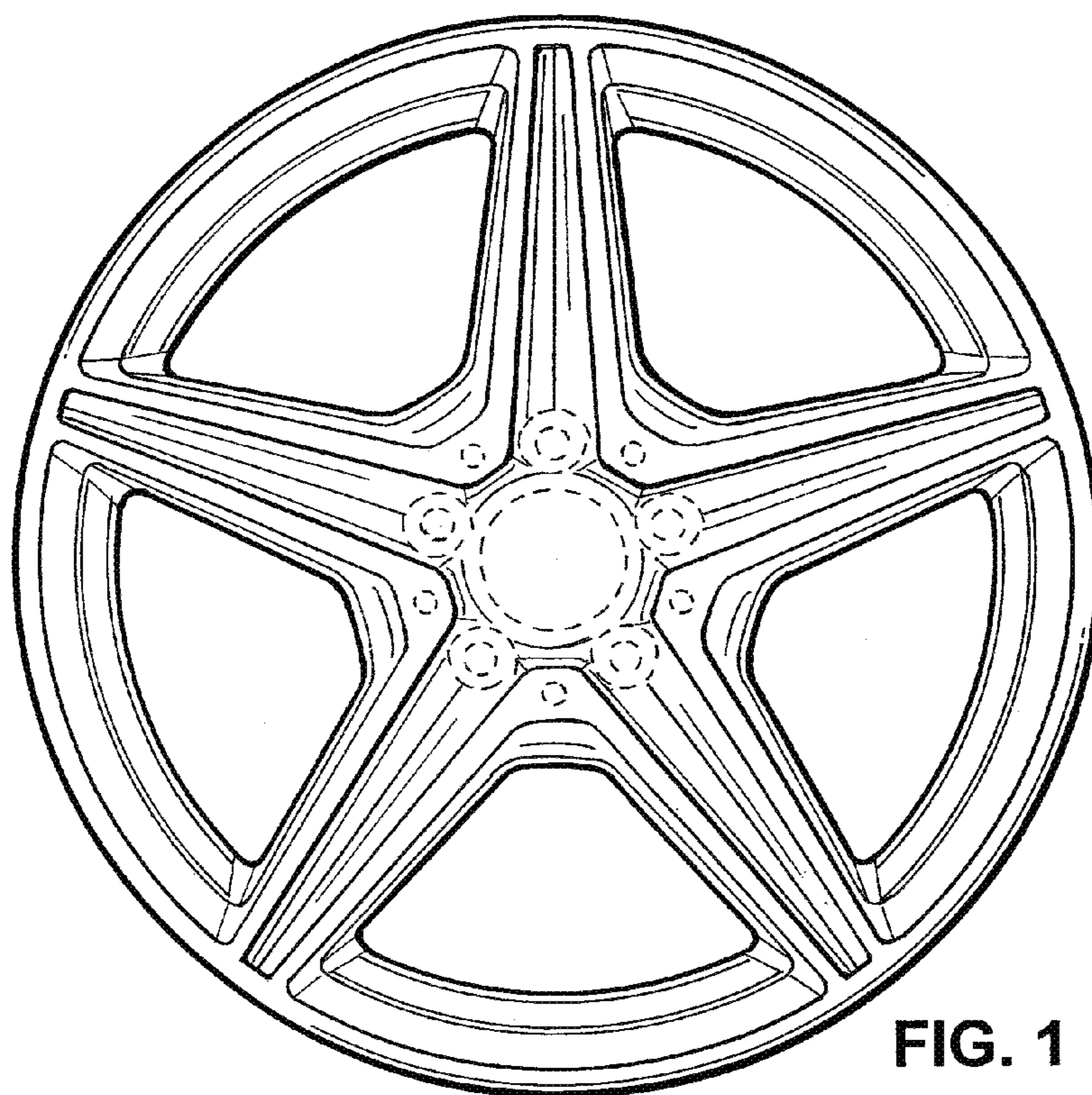


FIG. 1

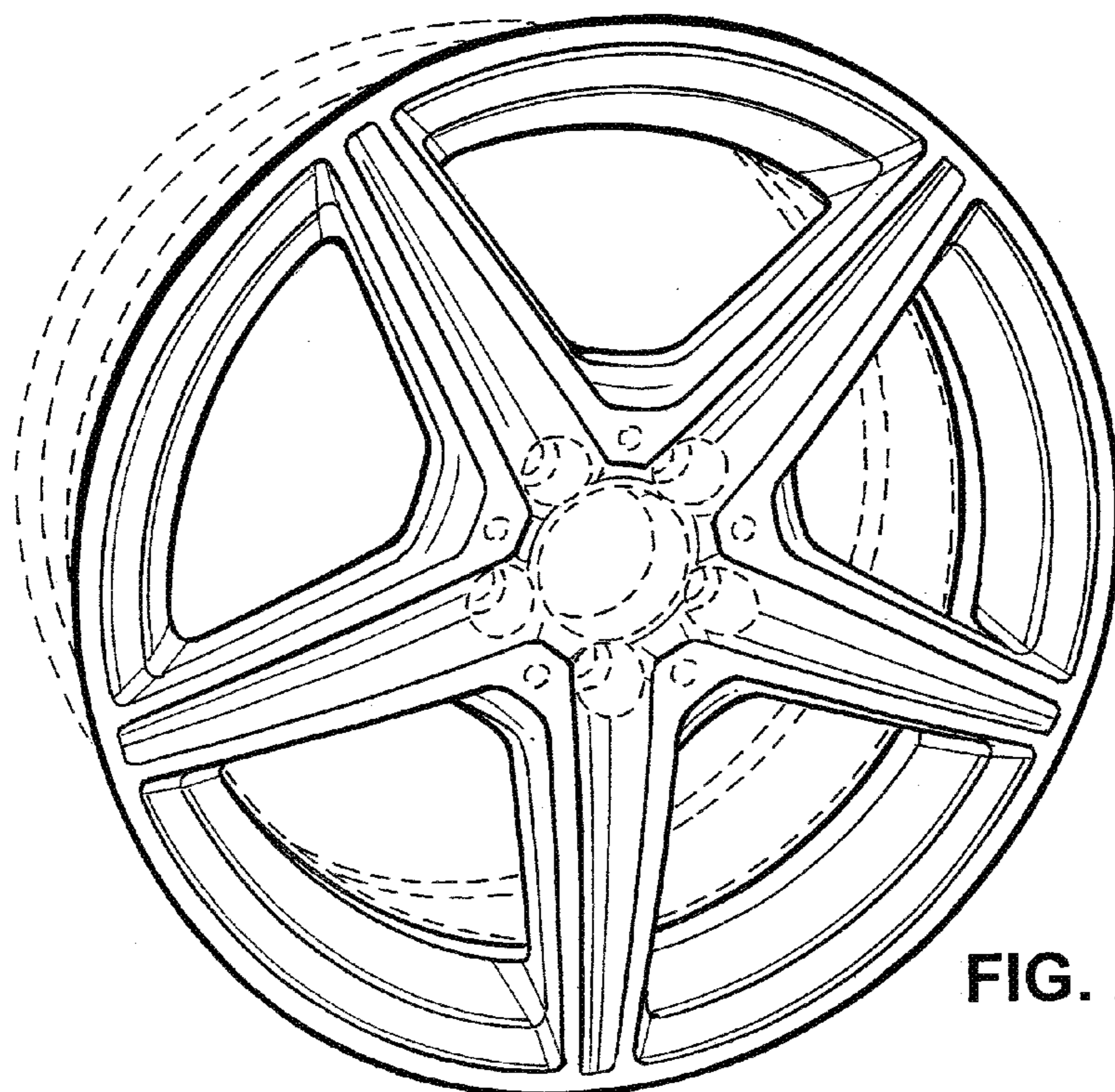


FIG. 2