



US00D755101S

(12) **United States Design Patent**  
**Gallert**

(10) **Patent No.:** **US D755,101 S**

(45) **Date of Patent:** **\*\* May 3, 2016**

(54) **WHEEL FOR A MOTOR VEHICLE**

(71) Applicant: **Dr. Ing. h.c. F. Porsche**  
**Aktiengesellschaft, Stuttgart (DE)**

(72) Inventor: **Michael Gallert, Stuttgart (DE)**

(73) Assignee: **Dr. Ing. h.c.F. Porsche**  
**Aktiengesellschaft (DE)**

(\*\*) Term: **14 Years**

(21) Appl. No.: **29/479,538**

(22) Filed: **Jan. 17, 2014**

(30) **Foreign Application Priority Data**

Jul. 19, 2013 (DE) ..... 40 2013 100 712

(51) **LOC (10) Cl.** ..... **12-16**

(52) **U.S. Cl.**  
USPC ..... **D12/211**

(58) **Field of Classification Search**

USPC ..... D12/204–213  
CPC ..... B60B 7/00; B60B 7/02; B60B 7/04;  
B60B 7/01; B60B 7/06; B60B 3/02; B60B  
3/04; B60B 3/06; B60B 3/10; B60B 1/00;  
B60B 1/08; B60B 1/10; B60B 1/12

See application file for complete search history.

(56) **References Cited**

**U.S. PATENT DOCUMENTS**

D350,932 S \* 9/1994 Echazabel et al. .... D12/211  
D438,503 S \* 3/2001 Syring ..... D12/211  
D451,067 S \* 11/2001 Frizzi ..... D12/211  
D500,726 S \* 1/2005 Hettler ..... D12/211  
D516,990 S \* 3/2006 Schweizer ..... D12/211  
D533,827 S \* 12/2006 Aydin ..... D12/211  
D546,748 S \* 7/2007 Young ..... D12/211  
D549,635 S \* 8/2007 Hernandez ..... D12/211  
D551,149 S \* 9/2007 Elmitt ..... D12/211

D578,455 S \* 10/2008 Pfeiffer ..... D12/211  
D591,661 S \* 5/2009 Baum ..... D12/209  
D617,709 S \* 6/2010 Borkert ..... D12/209  
D620,874 S \* 8/2010 Zhao ..... D12/211  
D643,794 S \* 8/2011 Elmitt ..... D12/211  
D648,255 S 11/2011 Scheinhutte  
D649,102 S 11/2011 Gallert  
D649,103 S 11/2011 Gallert  
D649,104 S 11/2011 Gallert  
D655,234 S \* 3/2012 Zhao ..... D12/211  
D656,879 S 4/2012 Gallert  
D657,299 S \* 4/2012 Lee ..... D12/211  
D664,910 S 8/2012 Gallert  
D680,487 S \* 4/2013 Zhao ..... D12/211  
D684,517 S 6/2013 Scheinhutte  
D684,912 S 6/2013 Yamashita  
D685,311 S \* 7/2013 Alfonso ..... D12/211  
D685,708 S 7/2013 Gallert  
D686,135 S 7/2013 Borkert

(Continued)

*Primary Examiner* — Stacia Cadmus

(74) *Attorney, Agent, or Firm* — Gerald E. Hespos; Michael  
J. Porco; Matthew T. Hespos

(57) **CLAIM**

The ornamental design of a wheel for a motor vehicle, as  
shown and described.

**DESCRIPTION**

FIG. 1 is a perspective view of a wheel for a motor vehicle in  
accordance with my design;

FIG. 2 is a front elevational view of the wheel for a motor  
vehicle of FIG. 1;

FIG. 3 is a top plan view thereof;

FIG. 4 is a left side elevation view;

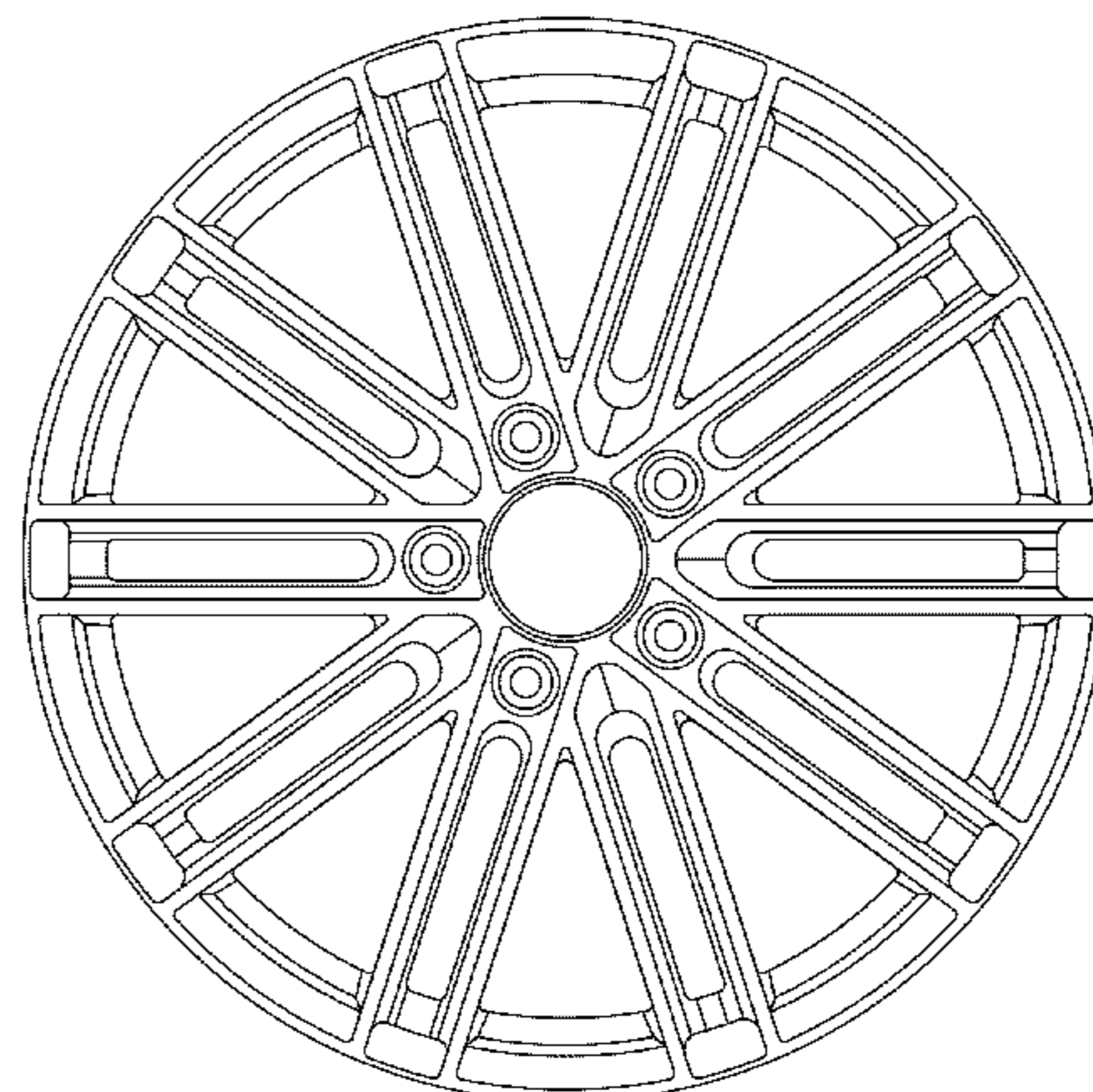
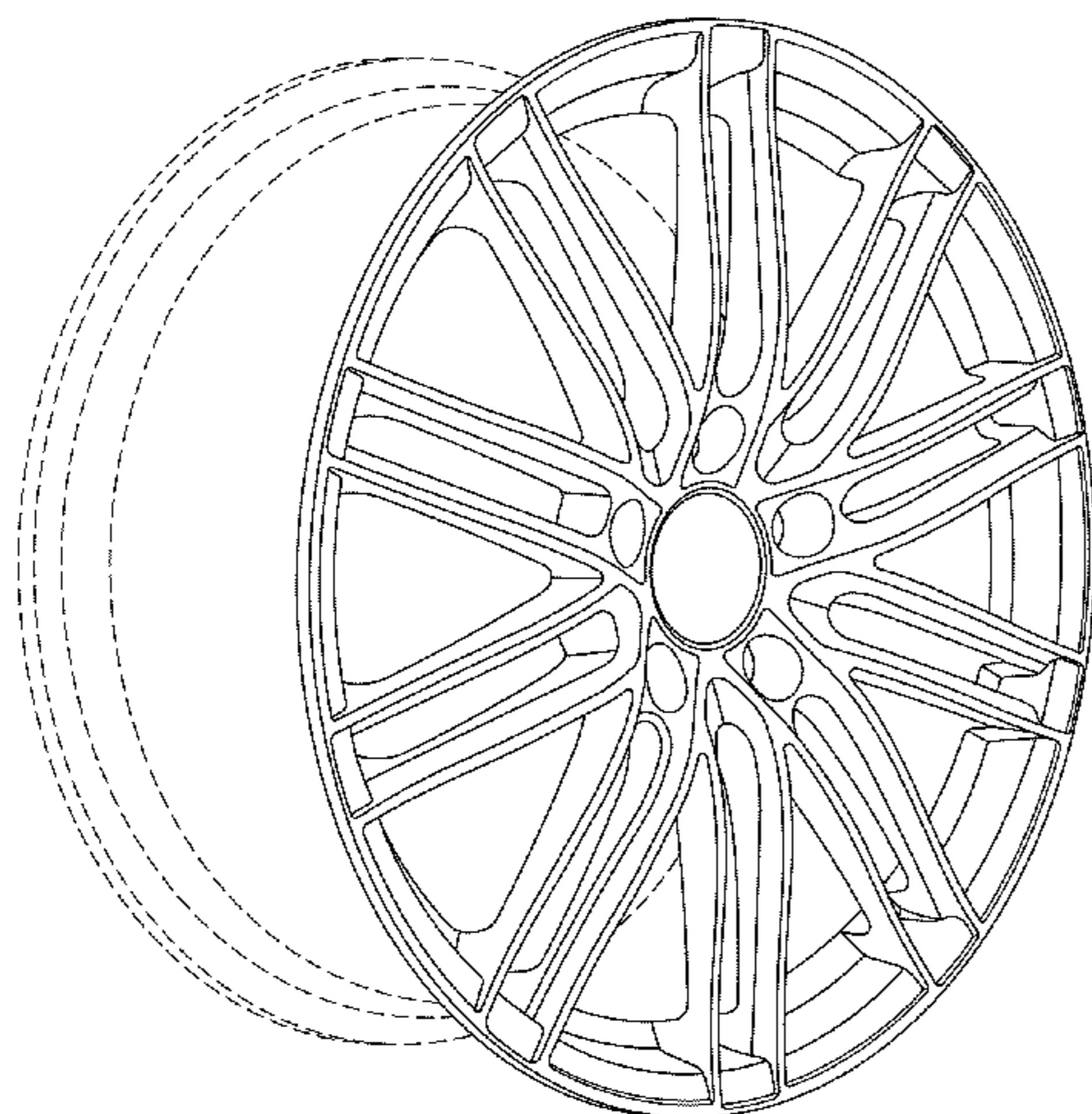
FIG. 5 is a right side elevation view;

FIG. 6 is a bottom plan view thereof; and,

FIG. 7 is a rear elevational view of thereof.

The broken lines are for illustration purposes only and form  
no part of the claimed design.

**1 Claim, 6 Drawing Sheets**



# US D755,101 S

Page 2

---

(56)

## References Cited

### U.S. PATENT DOCUMENTS

D688,189 S \* 8/2013 Alfonso ..... D12/211  
D695,199 S \* 12/2013 Garbas ..... D12/211  
D702,613 S \* 4/2014 Scheinhutte ..... D12/211

D706,698 S \* 6/2014 Zhao ..... D12/211  
D721,630 S \* 1/2015 McLeod ..... D12/211  
D726,087 S \* 4/2015 Breyton ..... D12/211  
D730,262 S \* 5/2015 Wagener ..... D12/211

\* cited by examiner

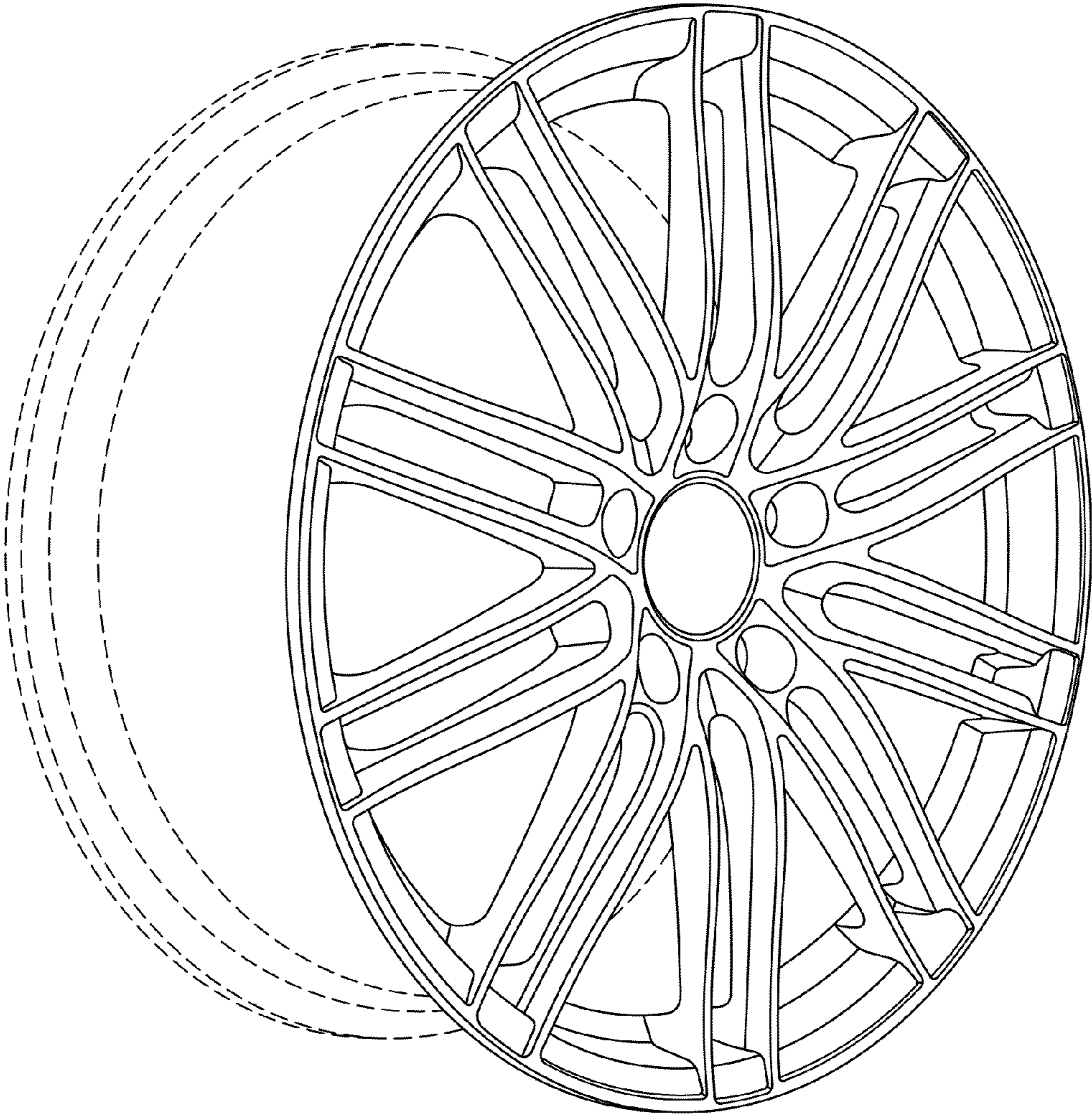


FIG. 1

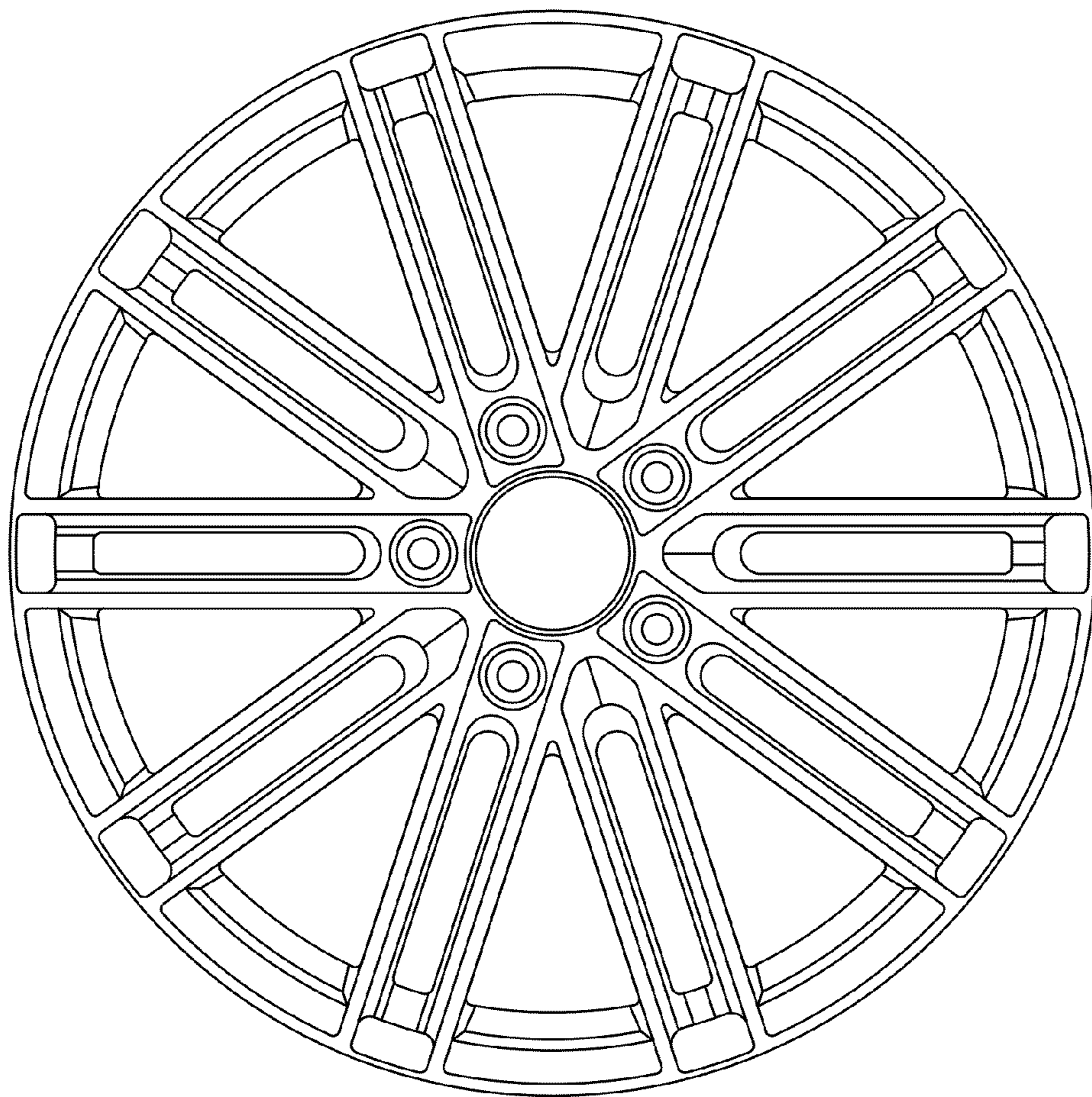


FIG. 2

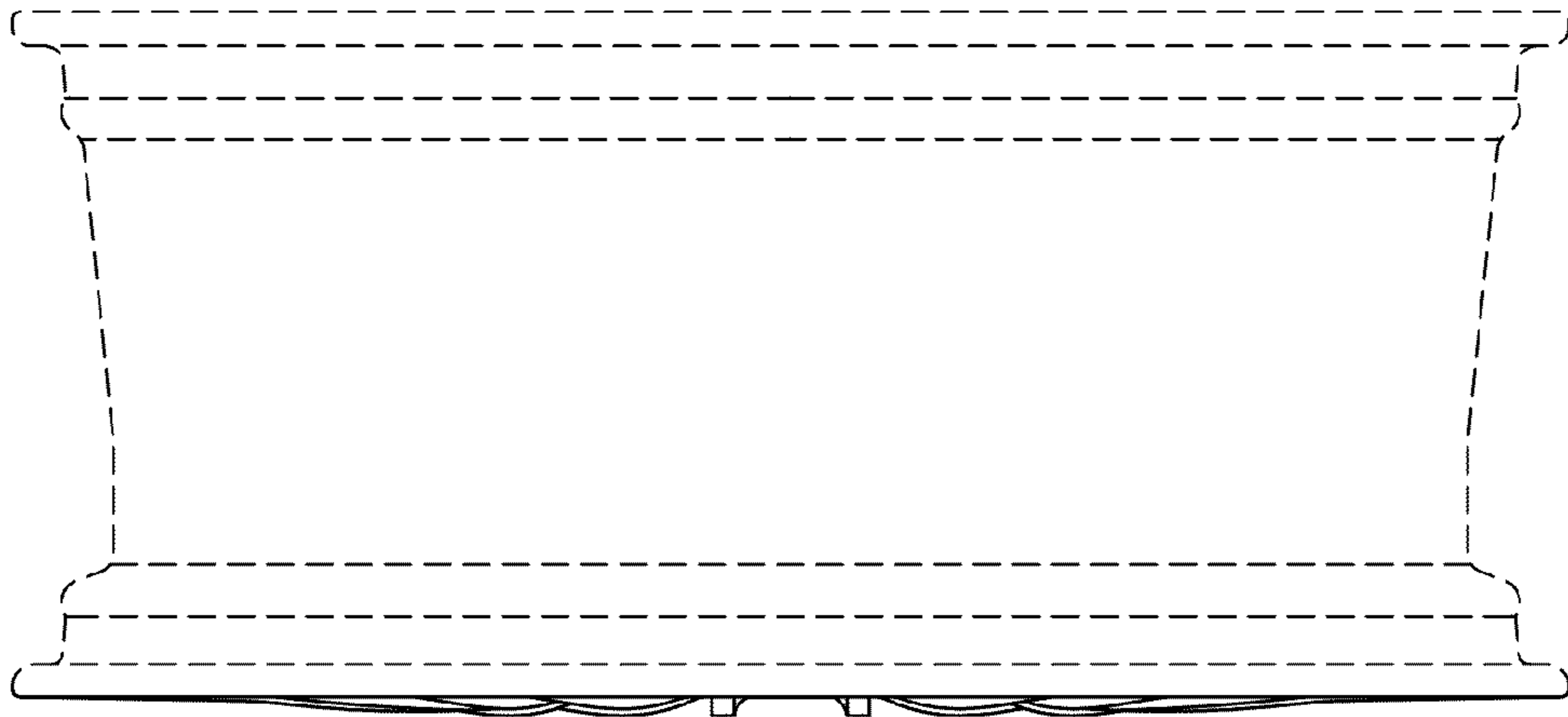


FIG. 3

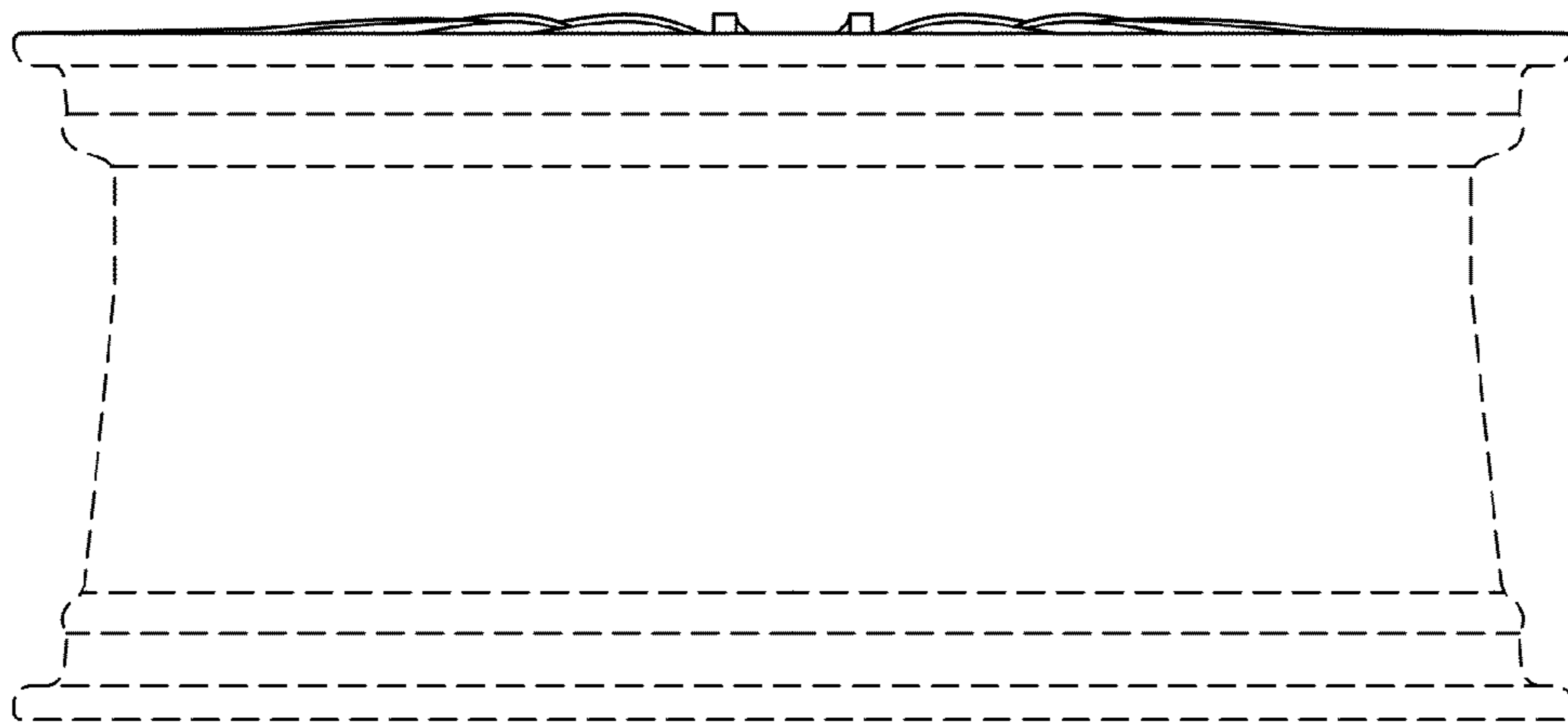


FIG. 6

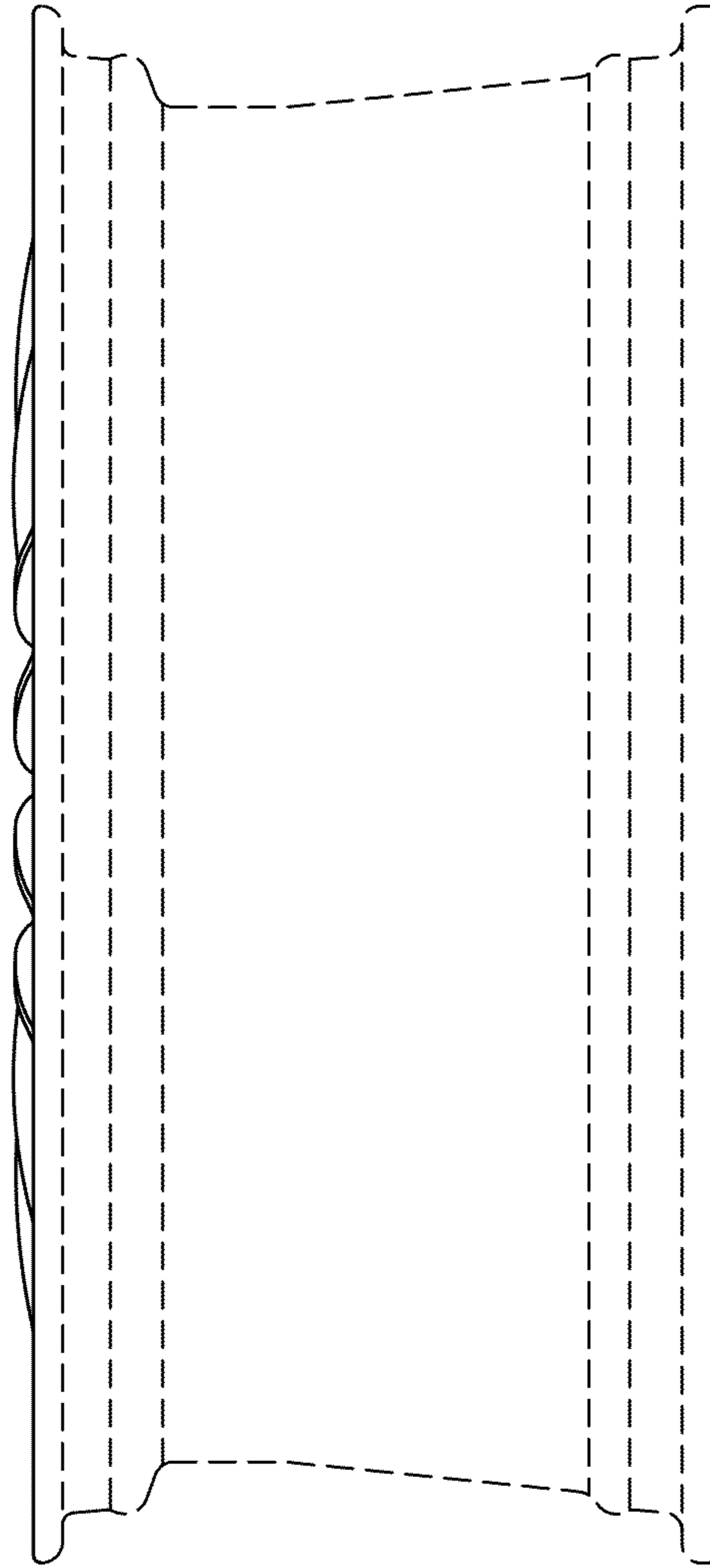


FIG.4



FIG.5

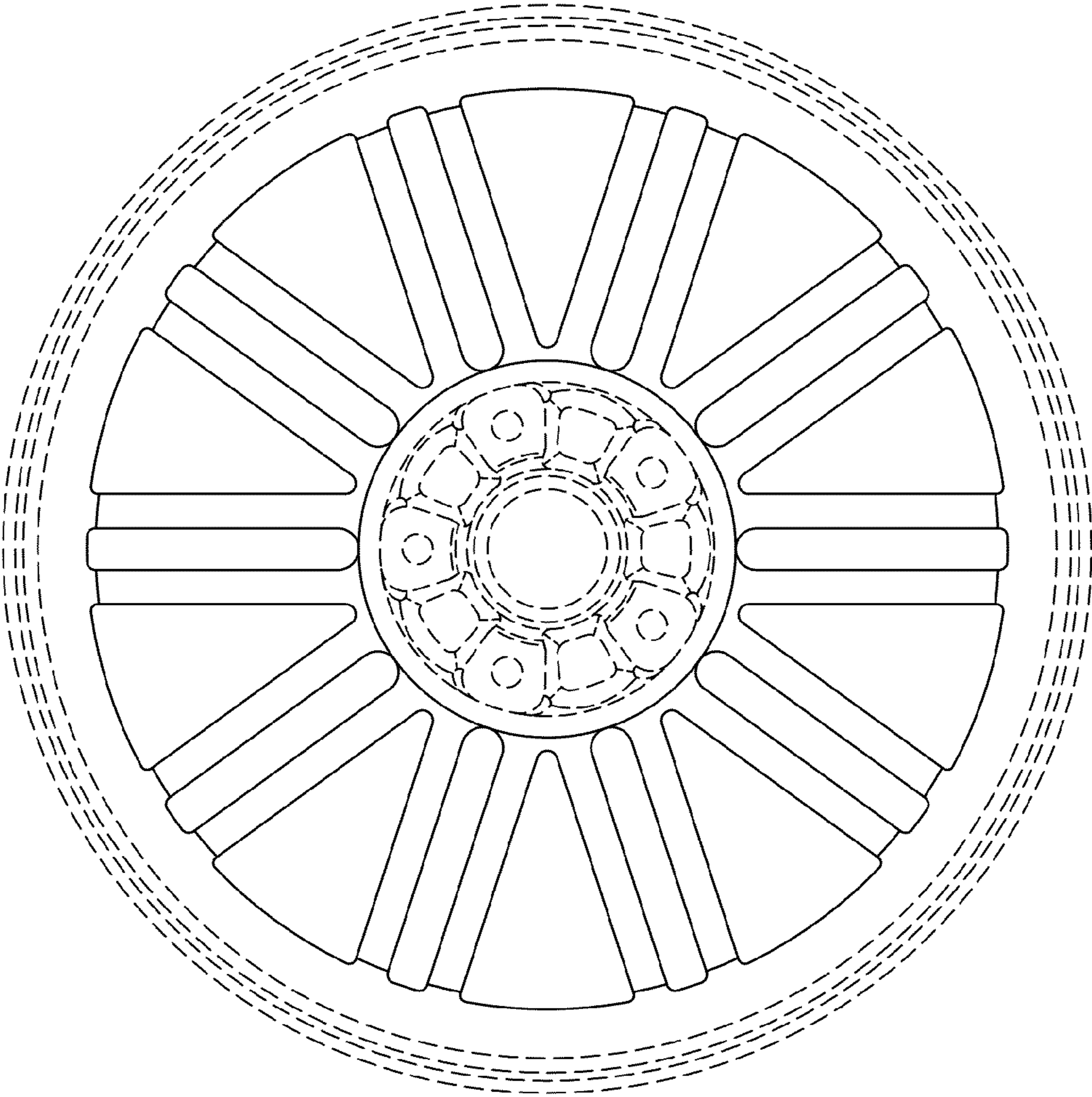


FIG.7