



US00D755100S

(12) **United States Design Patent**  
**Coghill, Jr.**

(10) **Patent No.:** **US D755,100 S**

(45) **Date of Patent:** **\*\* May 3, 2016**

(54) **RIM**

(71) Applicant: **Thomas Coghill, Jr.**, Deerfield Beach,  
FL (US)

(72) Inventor: **Thomas Coghill, Jr.**, Deerfield Beach,  
FL (US)

(\*\*) Term: **14 Years**

(21) Appl. No.: **29/515,528**

(22) Filed: **Jan. 23, 2015**

(51) **LOC (10) Cl.** ..... **12-16**

(52) **U.S. Cl.**  
USPC ..... **D12/208**

(58) **Field of Classification Search**  
USPC ..... D12/204-213; 301/95.101, 64.101,  
301/64.102  
CPC ..... B60B 7/00; B60B 7/02; B60B 7/04;  
B60B 7/01; B60B 7/06; B60B 1/00; B60B  
1/08; B60B 1/10; B60B 1/12; B60B 3/02;  
B60B 3/04; B60B 3/06; B60B 3/10

See application file for complete search history.

(56) **References Cited**

U.S. PATENT DOCUMENTS

D216,785 S *	3/1970	Hata	.....	D12/208
D277,953 S *	3/1985	Hess	.....	D12/208
D439,875 S *	4/2001	Zemlicka	.....	D12/208
D501,813 S *	2/2005	Ikeda	.....	D12/208
D508,005 S *	8/2005	Ikeda	.....	D12/208
D589,862 S *	4/2009	Cappellotto	.....	D12/208
D647,448 S *	10/2011	Chen	.....	D12/208
D673,091 S *	12/2012	Li	.....	D12/208
D715,207 S *	10/2014	Coghill, Jr.	.....	D12/206
D730,259 S *	5/2015	Aydin	.....	D12/208

\* cited by examiner

*Primary Examiner* — Stacia Cadmus

(74) *Attorney, Agent, or Firm* — James A. Italia; Italia IP

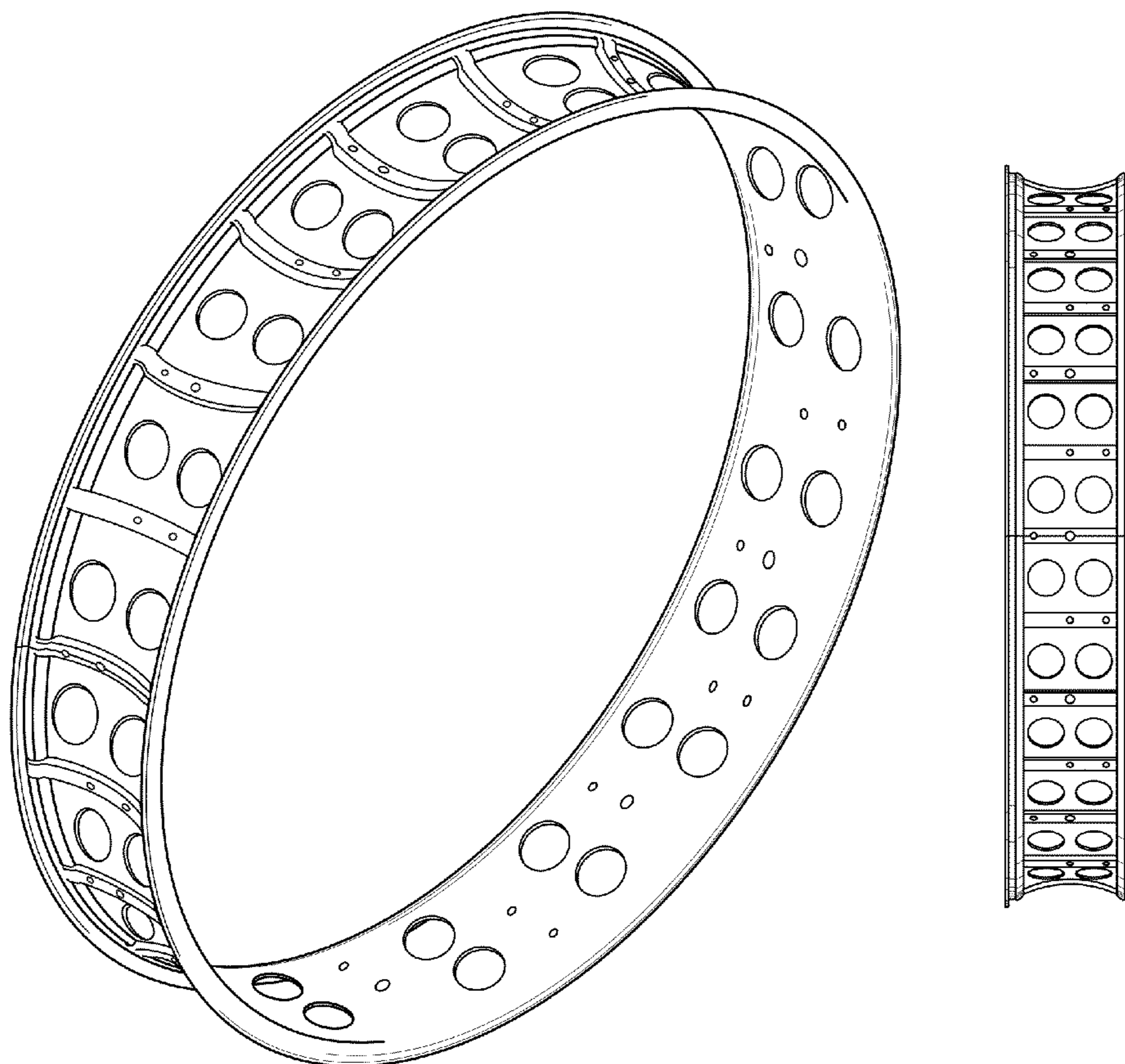
(57) **CLAIM**

The ornamental design for a rim, as shown and described.

**DESCRIPTION**

FIG. 1 is a perspective view of a rim showing my new design;  
FIG. 2 is a front elevational view of the invention;  
FIG. 3 is a rear elevational view of the invention;  
FIG. 4 is a right-side elevational view of the invention;  
FIG. 5 is a left-side elevational view of the invention;  
FIG. 6 is a top plan view of the invention; and,  
FIG. 7 is a bottom plan view of the invention.

**1 Claim, 4 Drawing Sheets**



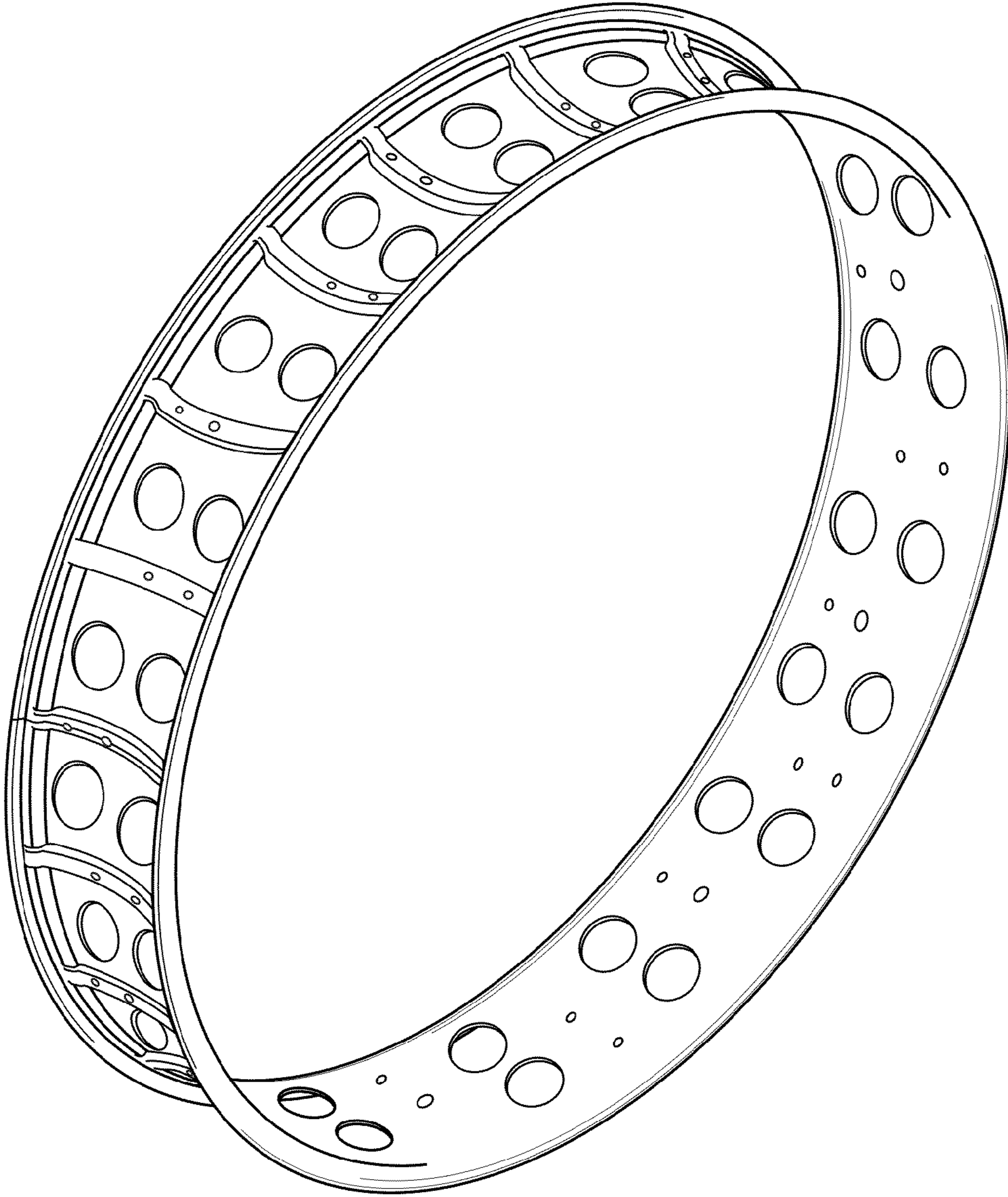


FIG. 1

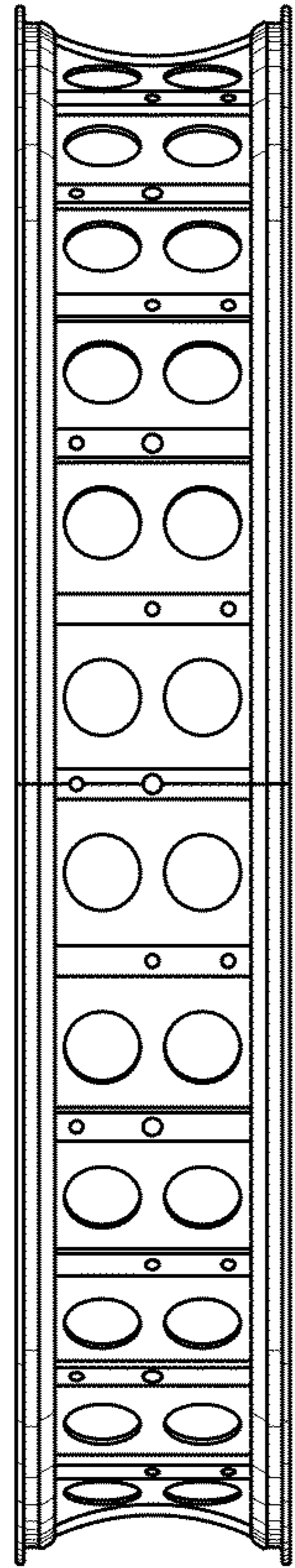


FIG. 2

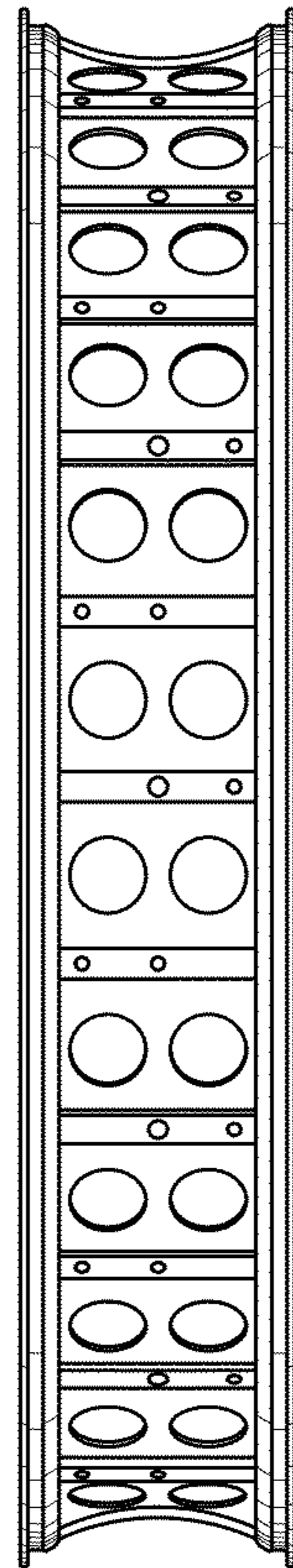


FIG. 3



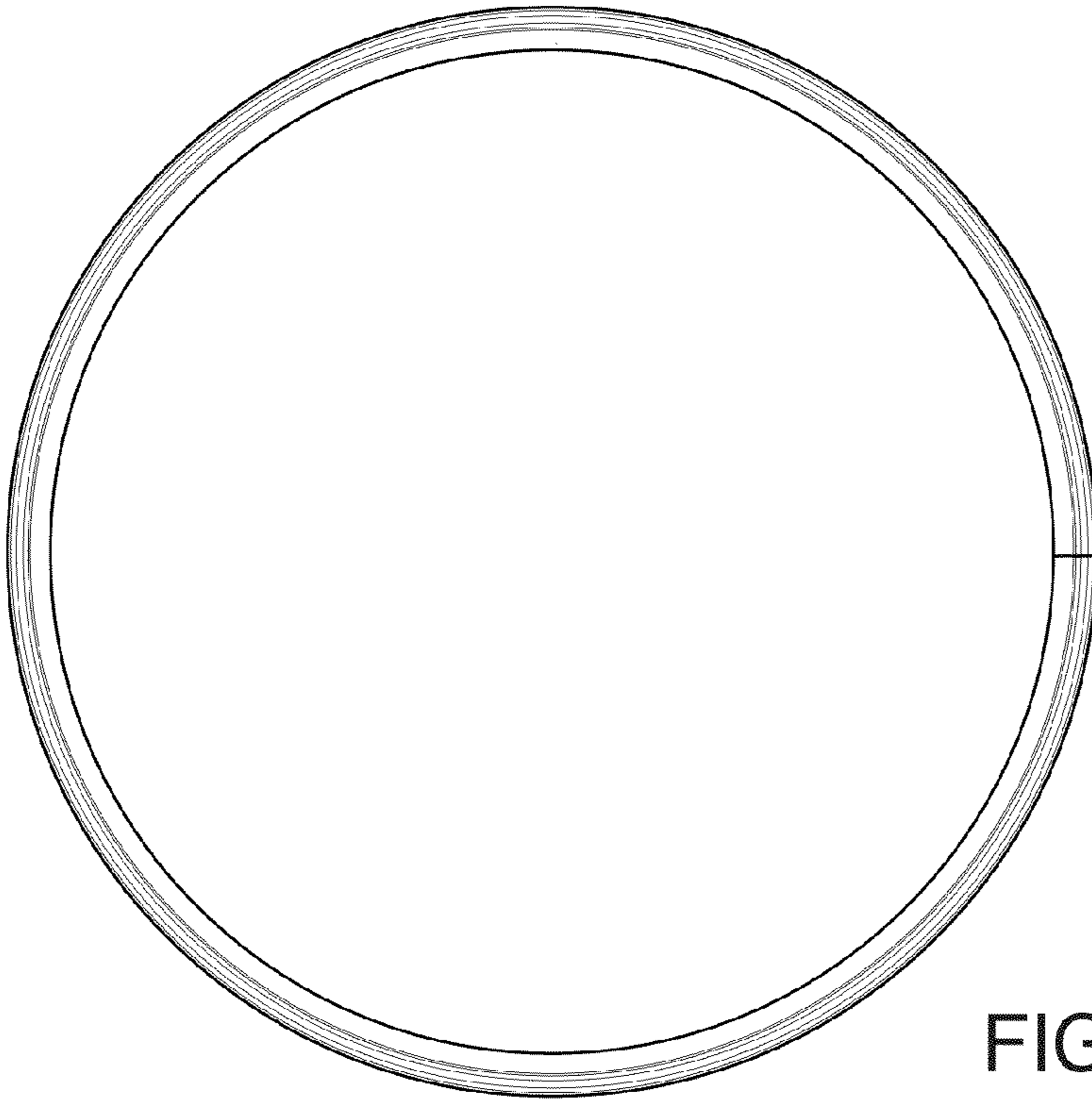


FIG. 4

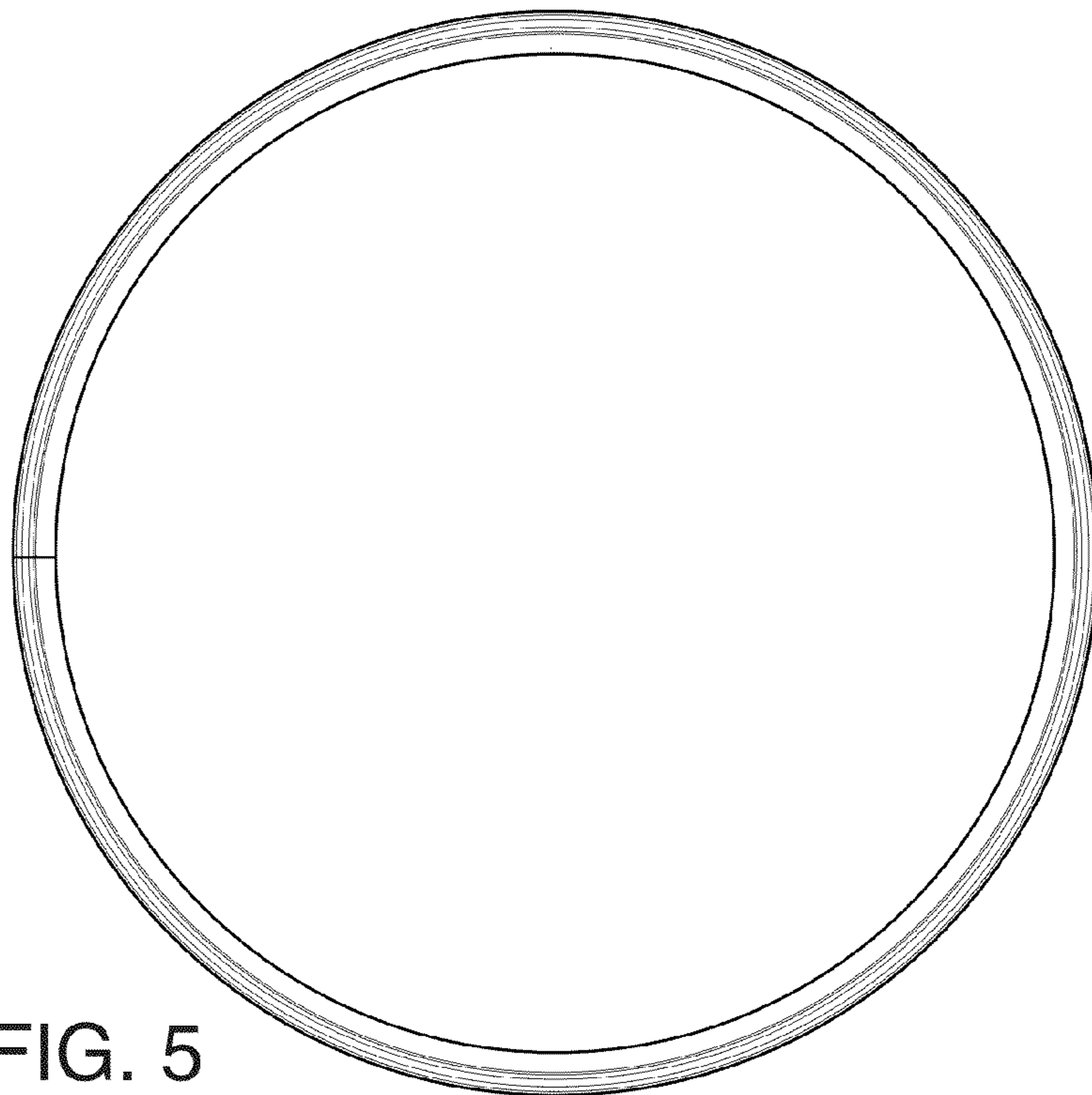


FIG. 5

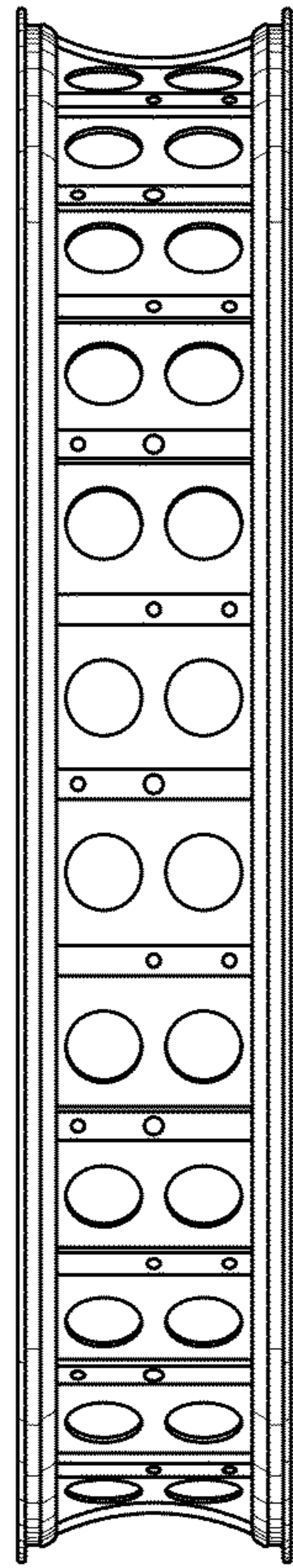


FIG. 6

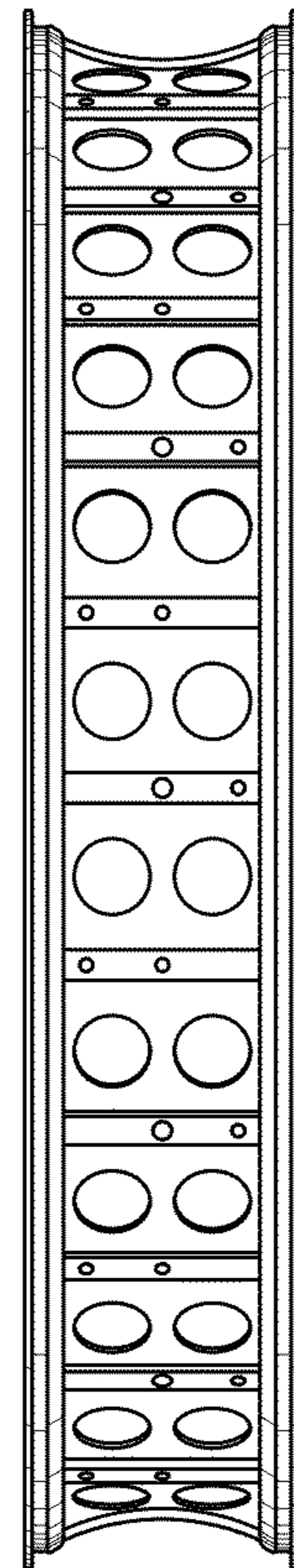


FIG. 7