



US00D755099S

(12) **United States Design Patent**
Suzuki et al.

(10) **Patent No.:** **US D755,099 S**
(45) **Date of Patent:** **** May 3, 2016**

(54) **REGISTER FOR AN AUTOMOBILE**

D648,662 S * 11/2011 Stephenson D12/192
D718,201 S * 11/2014 Drew D12/192
D722,288 S * 2/2015 Tseng D12/192

(71) Applicants: **Sota Suzuki**, Mishima (JP); **Takuya Ban**, Susono (JP)

OTHER PUBLICATIONS

(72) Inventors: **Sota Suzuki**, Mishima (JP); **Takuya Ban**, Susono (JP)

Toyota, Brochure for Toyota Supra, published on May 16, 1993.
BMW, BMW AG, Brochure for BMW Mini, published on Oct. 1, 2010.

(73) Assignee: **Toyota Jidosha Kabushiki Kaisha** (JP)

Audi, Audi Japan, Brochure for Audi A1, published on Jul. 1, 2013.

(**) Term: **14 Years**

* cited by examiner

(21) Appl. No.: **29/497,410**

Primary Examiner — Katrina A Betton

(22) Filed: **Jul. 24, 2014**

(74) *Attorney, Agent, or Firm* — Saidman DesignLaw Group, LLC

(51) **LOC (10) Cl.** **12-16**

(57) **CLAIM**

(52) **U.S. Cl.**
USPC **D12/192**

The ornamental design for a register for an automobile, as shown and described.

(58) **Field of Classification Search**
USPC D12/192, 415, 110, 114; D15/17, 28;
D10/46, 98, 102-103, 122-127
CPC G08G 1/096883; G01C 21/16; G01C
21/3688; G01C 21/30
See application file for complete search history.

DESCRIPTION

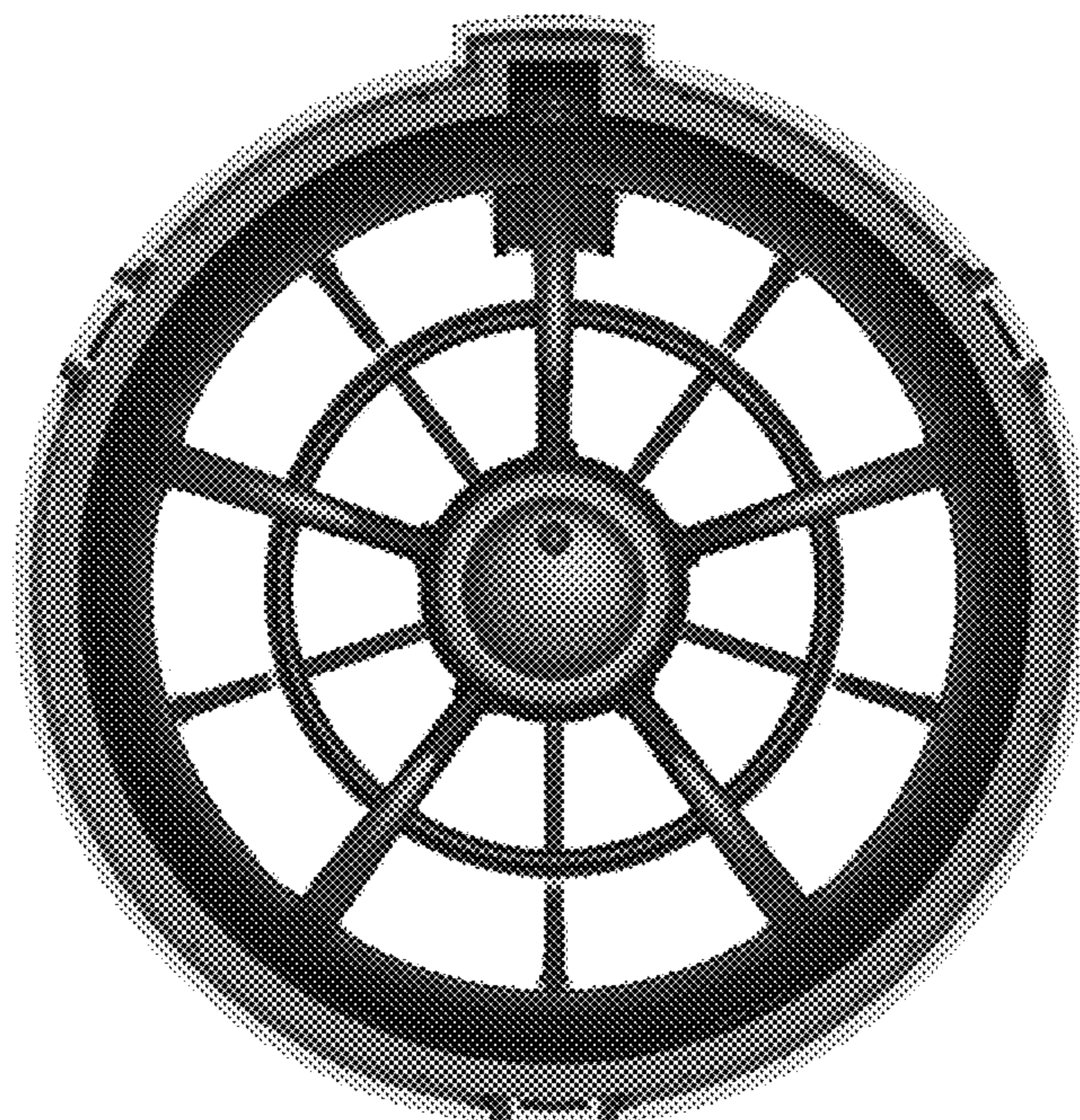
(56) **References Cited**

U.S. PATENT DOCUMENTS

D417,267 S * 11/1999 Sacco D12/192
D485,894 S * 1/2004 Fraser D23/327
D542,898 S * 5/2007 Juraschek D12/192
D608,432 S * 1/2010 Aruga D23/358

FIG. 1 is a perspective view of a register for an automobile showing our new design;
FIG. 2 is a front view thereof;
FIG. 3 is a rear view thereof;
FIG. 4 is a top view thereof;
FIG. 5 is a bottom view thereof;
FIG. 6 is a left side view thereof; and,
FIG. 7 is a right side view thereof.
The drawings include shadows and reflections which indicate contour, not surface ornamentation.

1 Claim, 4 Drawing Sheets



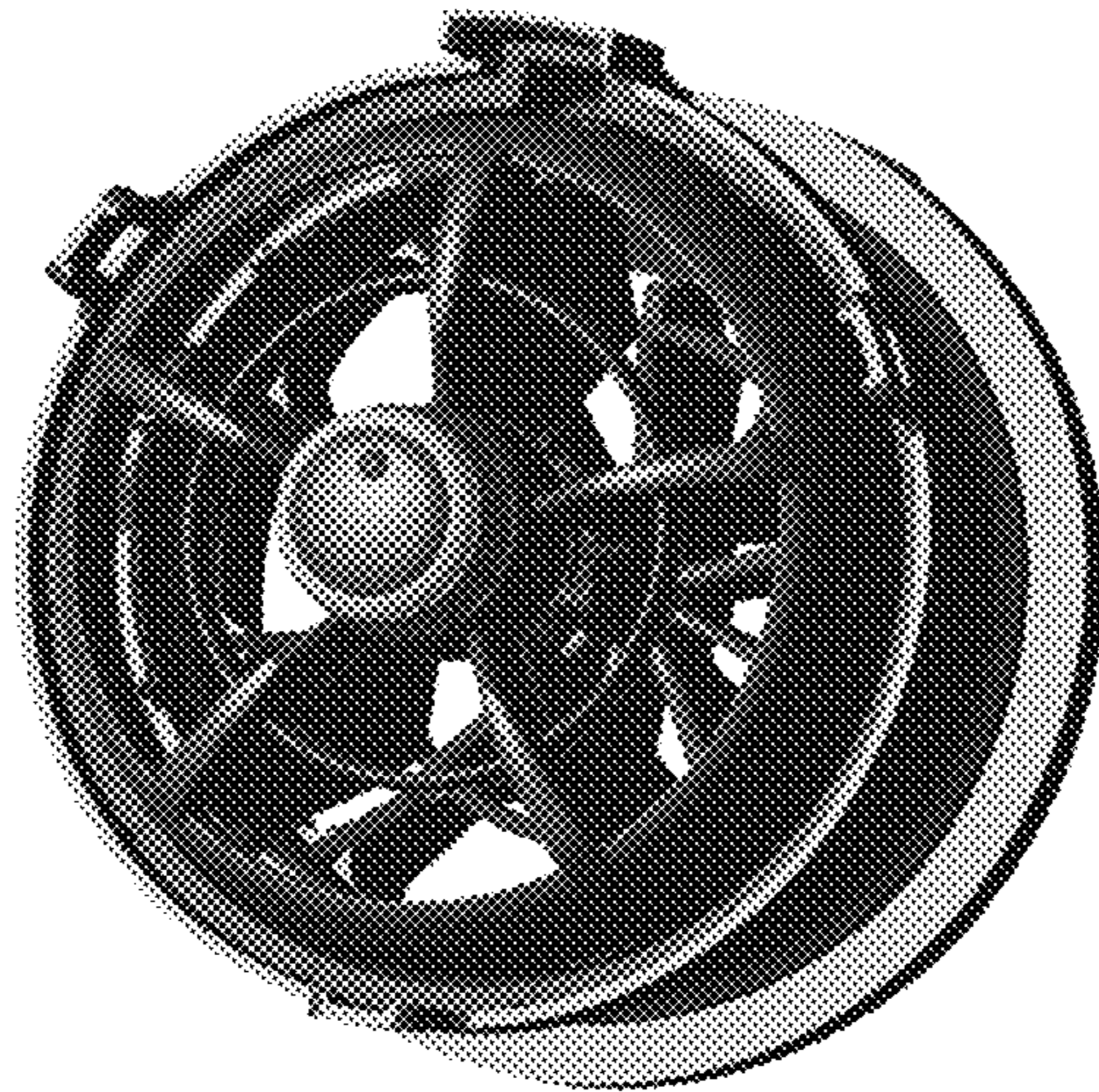


FIG. 1

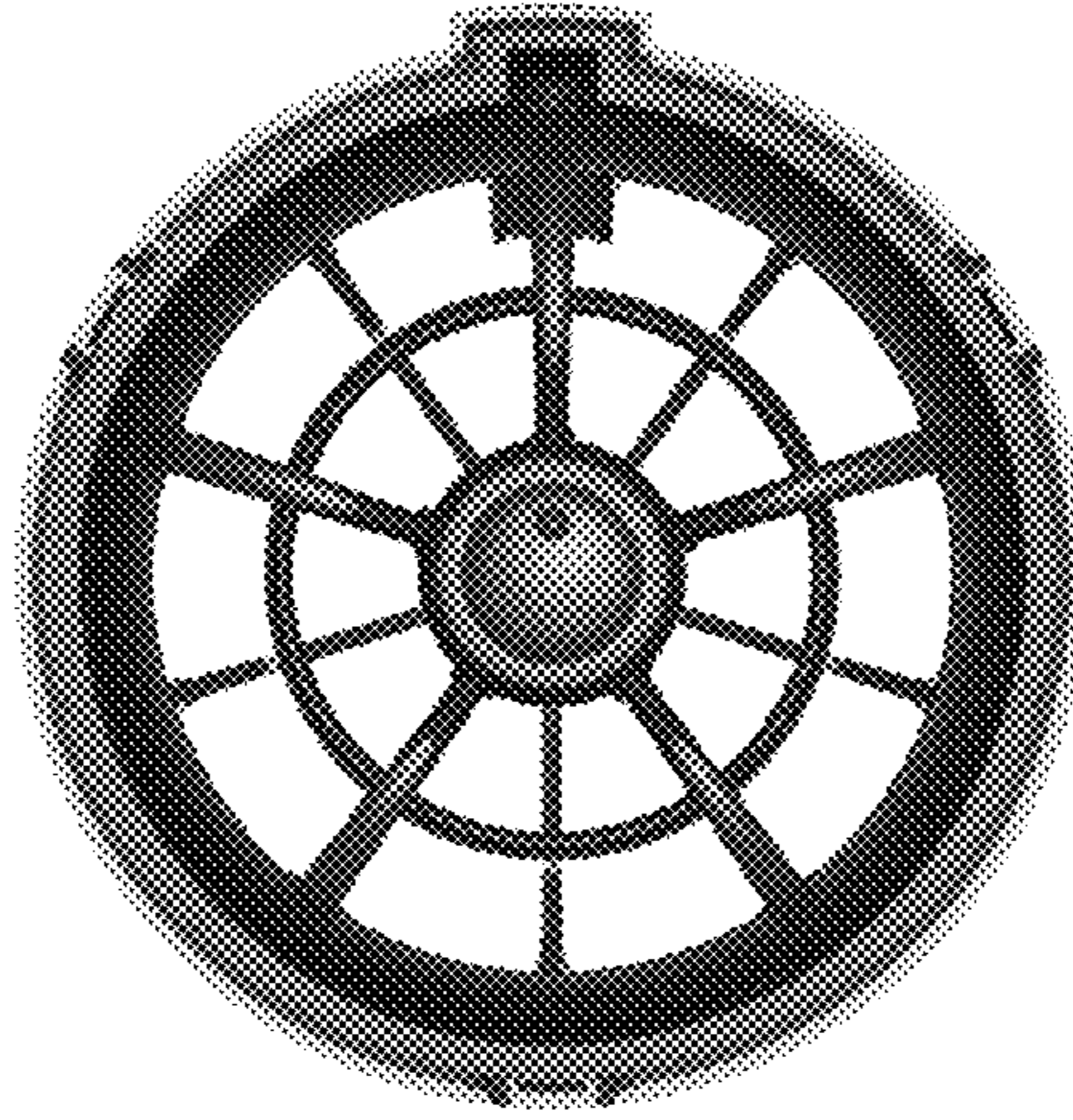


FIG. 2

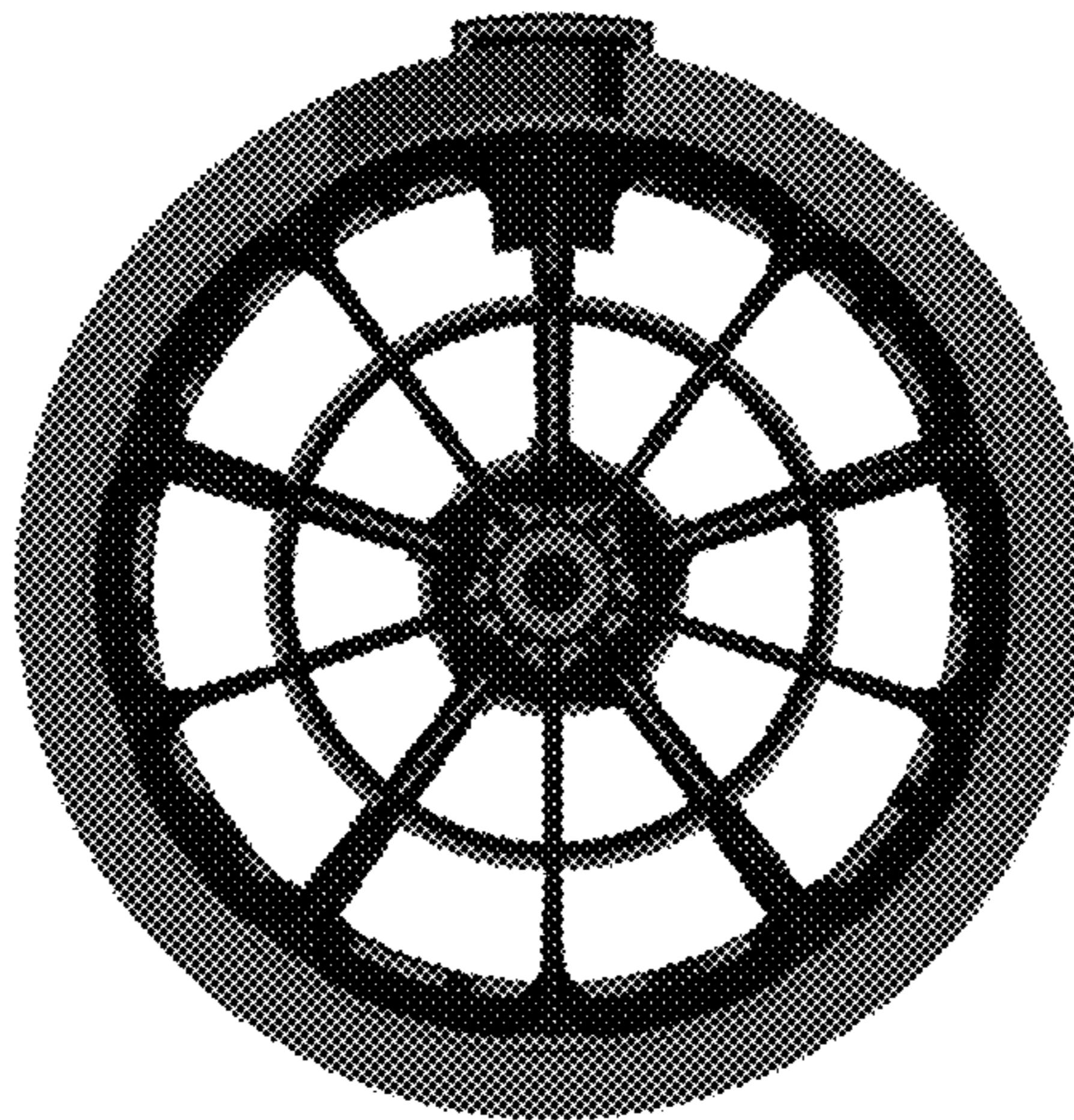


FIG. 3

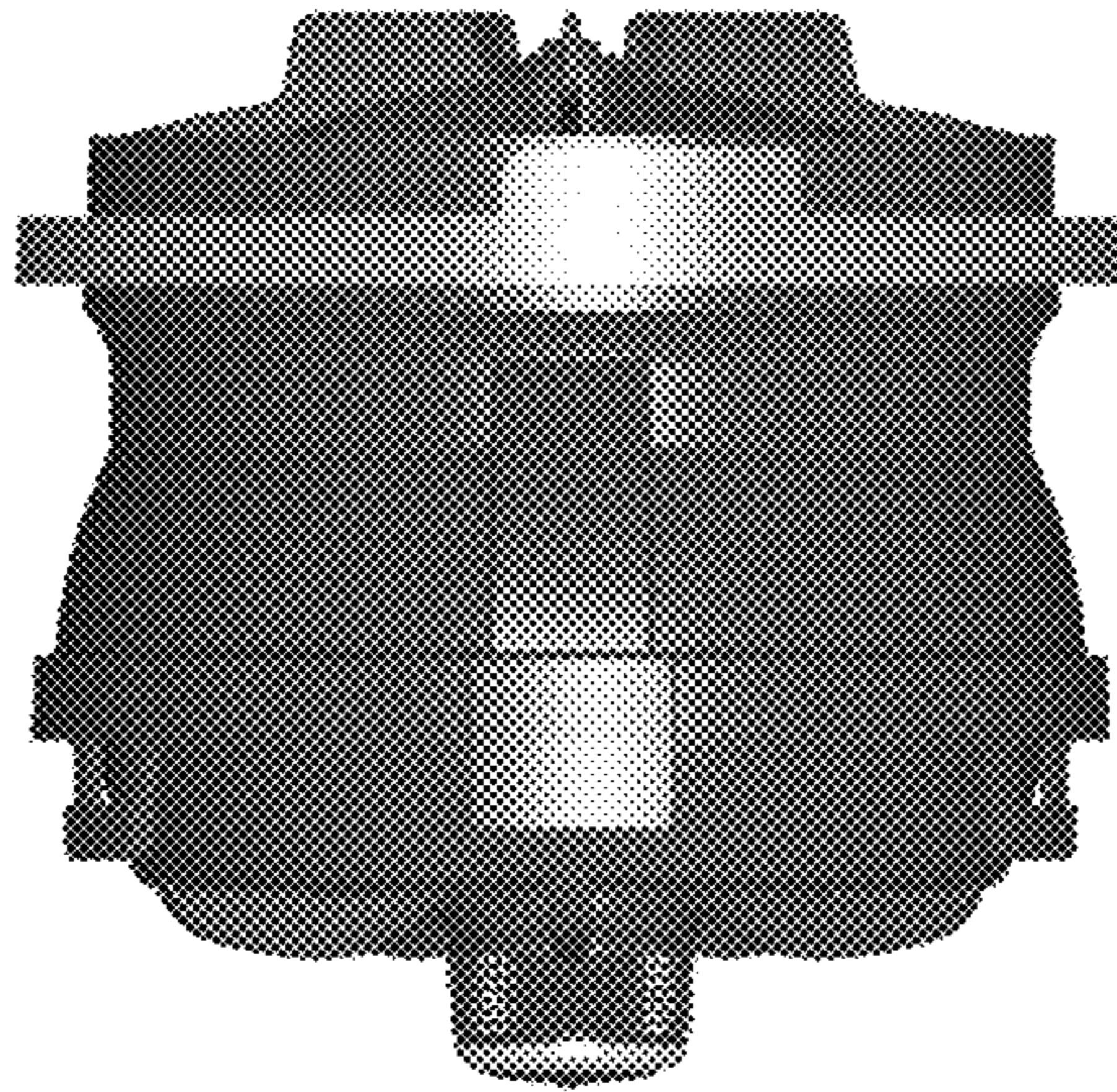


FIG. 4

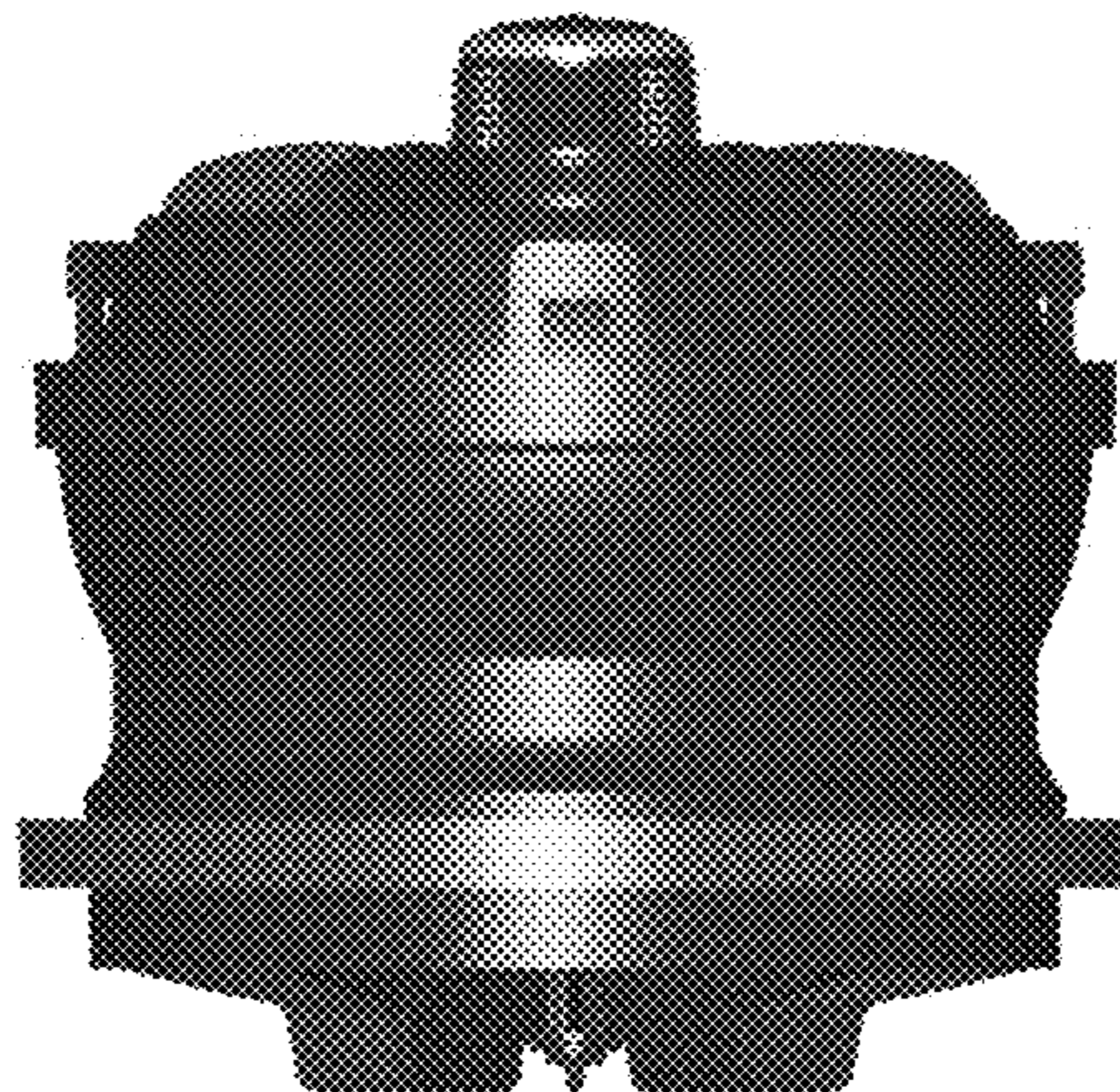


FIG. 5

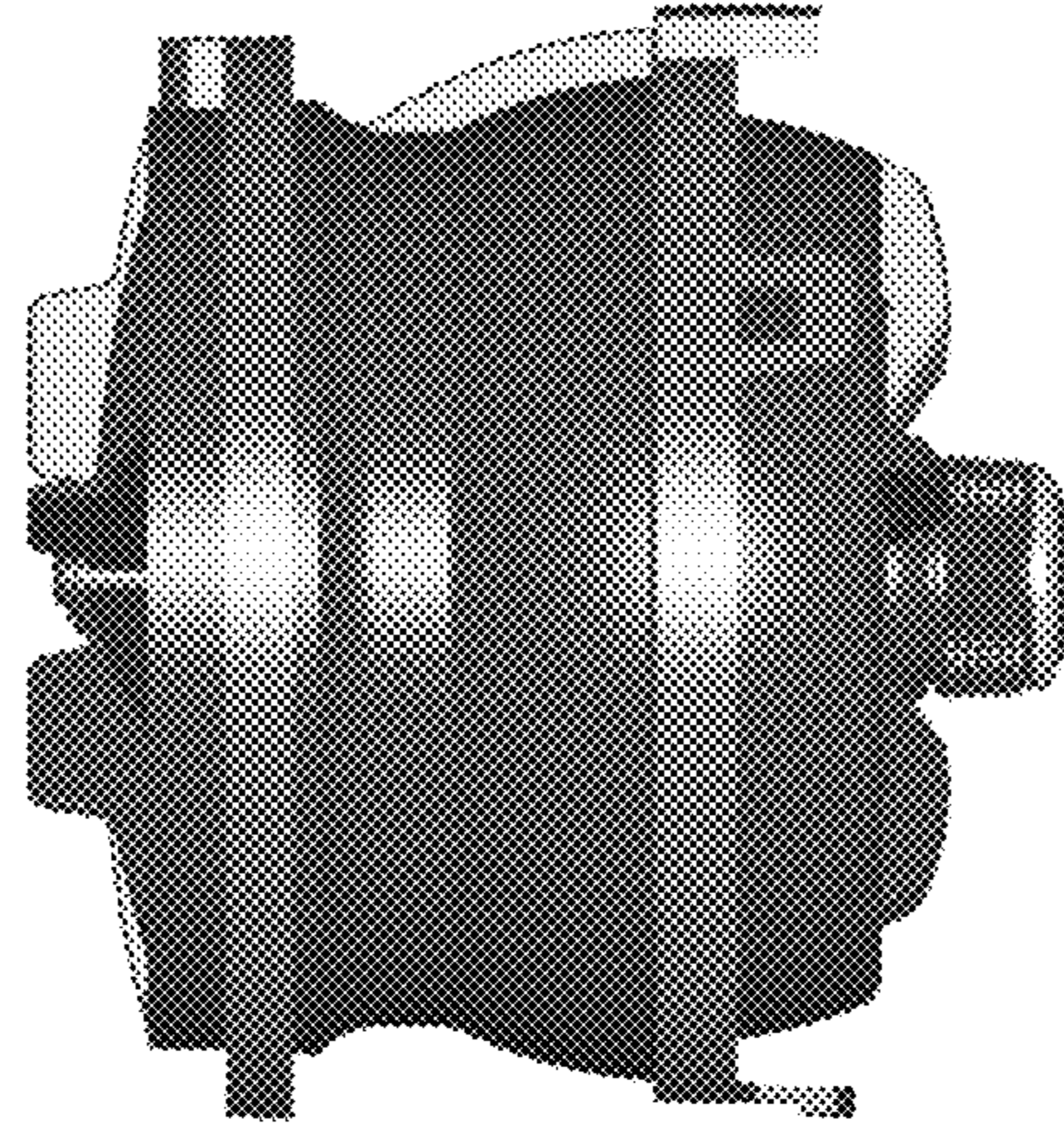


FIG. 6

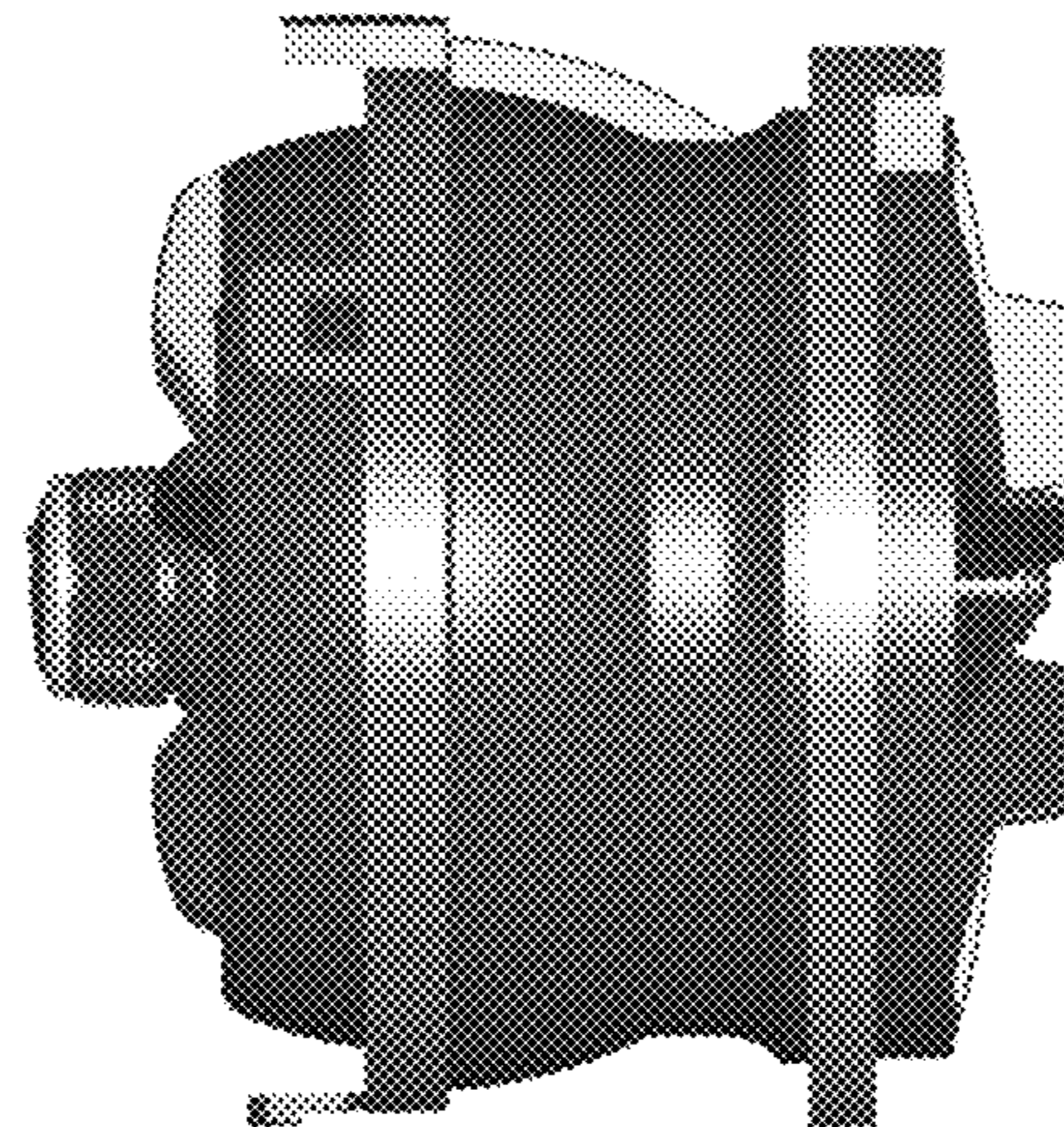


FIG. 7