



US00D755097S

(12) **United States Design Patent**
Lin

(10) **Patent No.:** **US D755,097 S**
(45) **Date of Patent:** **** May 3, 2016**

(54) **REAR VIEW MIRROR FOR VEHICLES**

(71) Applicant: **Xiaojie Lin**, Guangzhou (CN)

(72) Inventor: **Xiaojie Lin**, Guangzhou (CN)

(**) Term: **15 Years**

(21) Appl. No.: **29/527,222**

(22) Filed: **May 18, 2015**

(51) **LOC (10) Cl.** **12-16**

(52) **U.S. Cl.**
USPC **D12/187**

(58) **Field of Classification Search**
USPC D12/187, 199, 189; D6/300, 309
CPC B60R 1/076; G02B 7/18; G02B 7/182;
G02B 5/08

See application file for complete search history.

(56) **References Cited**

U.S. PATENT DOCUMENTS

- 4,630,904 A * 12/1986 Pastore B60R 1/12
359/636
- D346,356 S * 4/1994 Leu D12/187
- D471,847 S * 3/2003 Rumsey D12/187
- 6,902,284 B2 * 6/2005 Hutzell B60Q 3/023
248/479

- D556,105 S * 11/2007 Carter D12/187
- D659,617 S * 5/2012 Brockington D12/187
- D746,744 S * 1/2016 Sloterbeek D12/187
- 2014/0192431 A1 * 7/2014 Sloterbeek B60R 1/12
359/871

* cited by examiner

Primary Examiner — Katrina A Betton

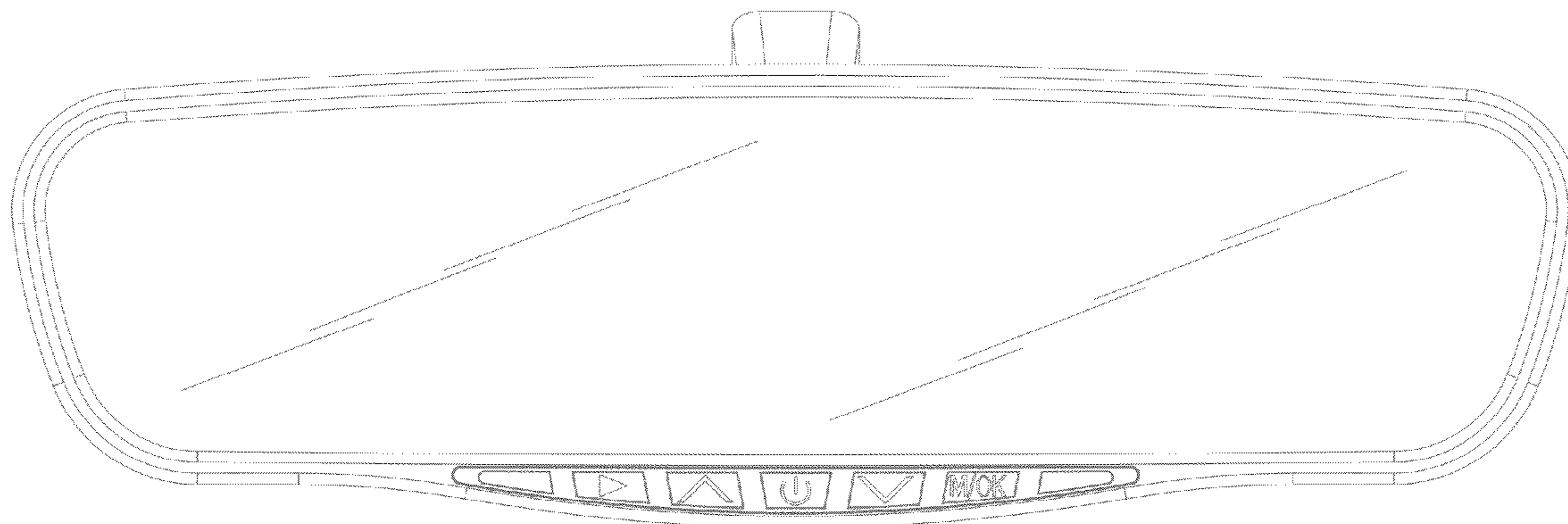
(57) **CLAIM**

The ornamental design for a rear view mirror for vehicles, as shown.

DESCRIPTION

FIG. 1 is a front elevational view of a rear view mirror for vehicles showing my new design;
FIG. 2 is a rear elevational view thereof;
FIG. 3 is a left side view thereof;
FIG. 4 is a right side view thereof;
FIG. 5 is a top plan view thereof;
FIG. 6 is a bottom plan view thereof;
FIG. 7 is a perspective view thereof; and,
FIG. 8 is another perspective view thereof.

1 Claim, 5 Drawing Sheets



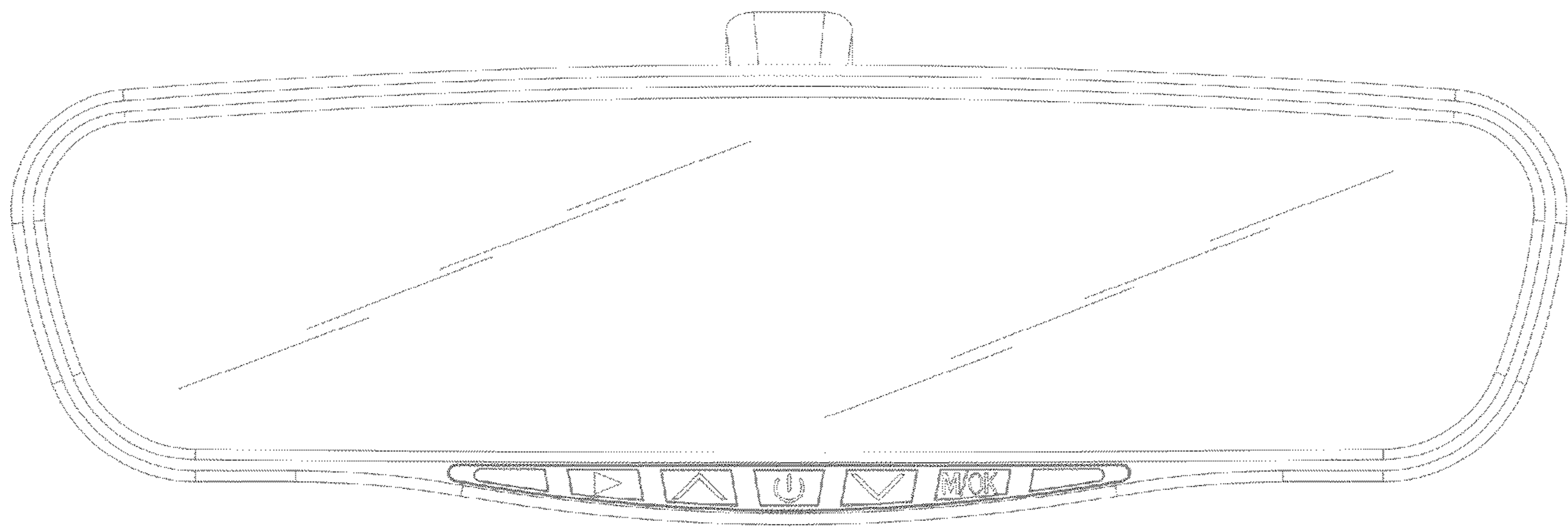


FIG. 1

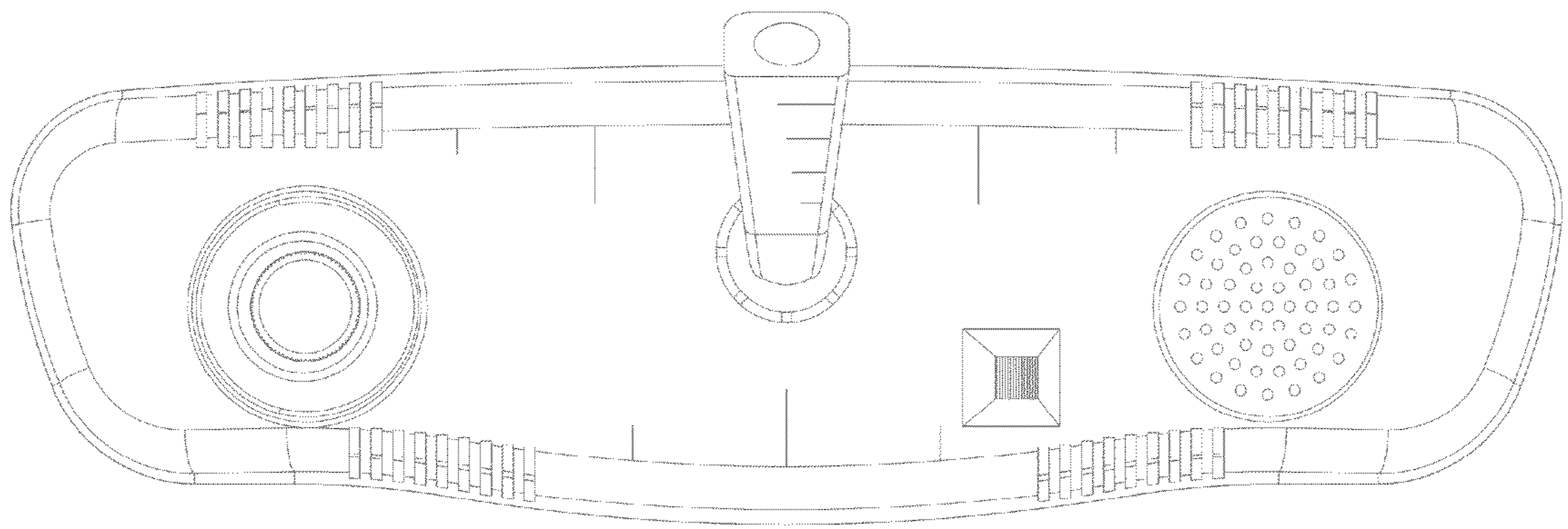


FIG. 2

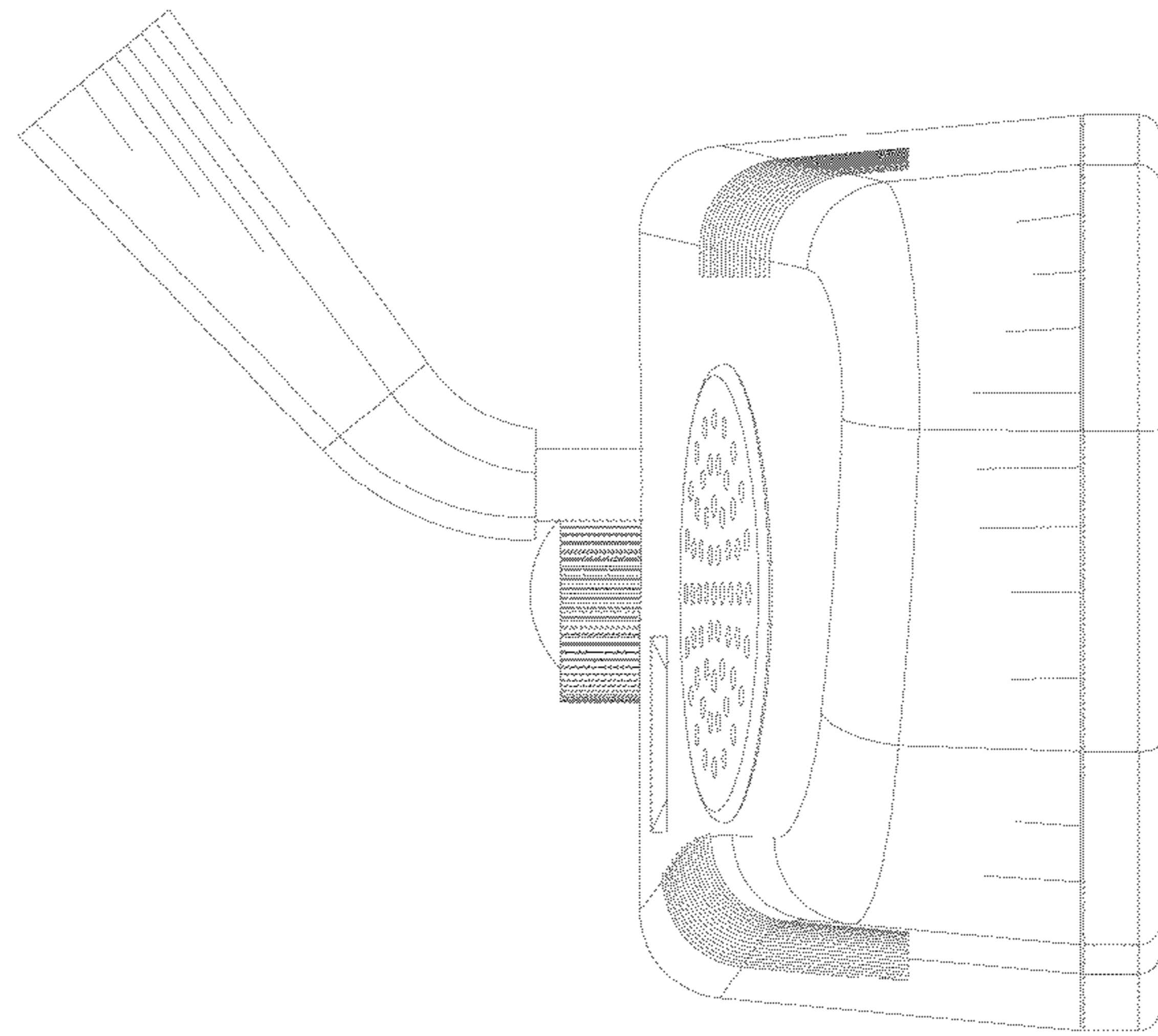


FIG. 3

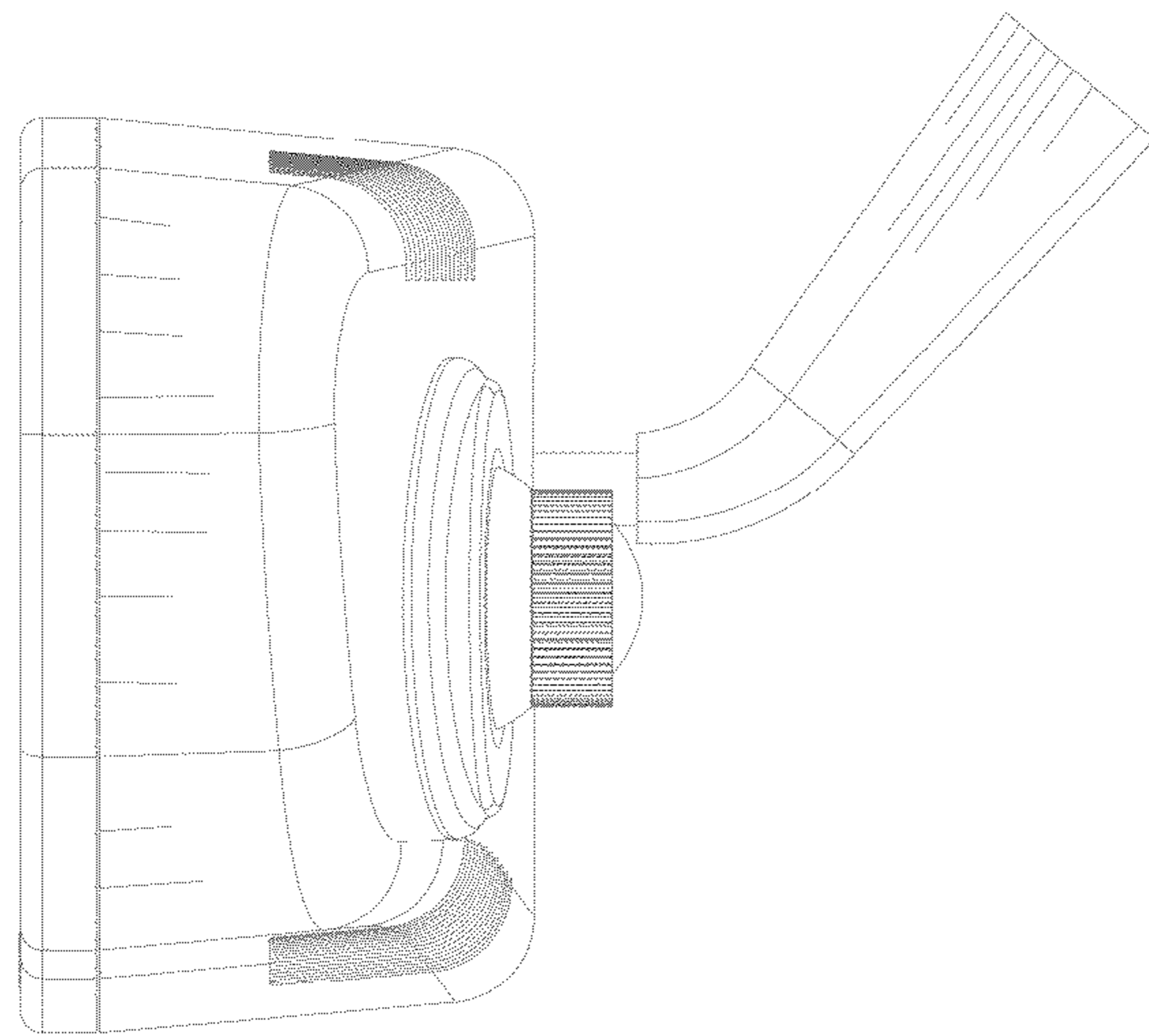


FIG. 4

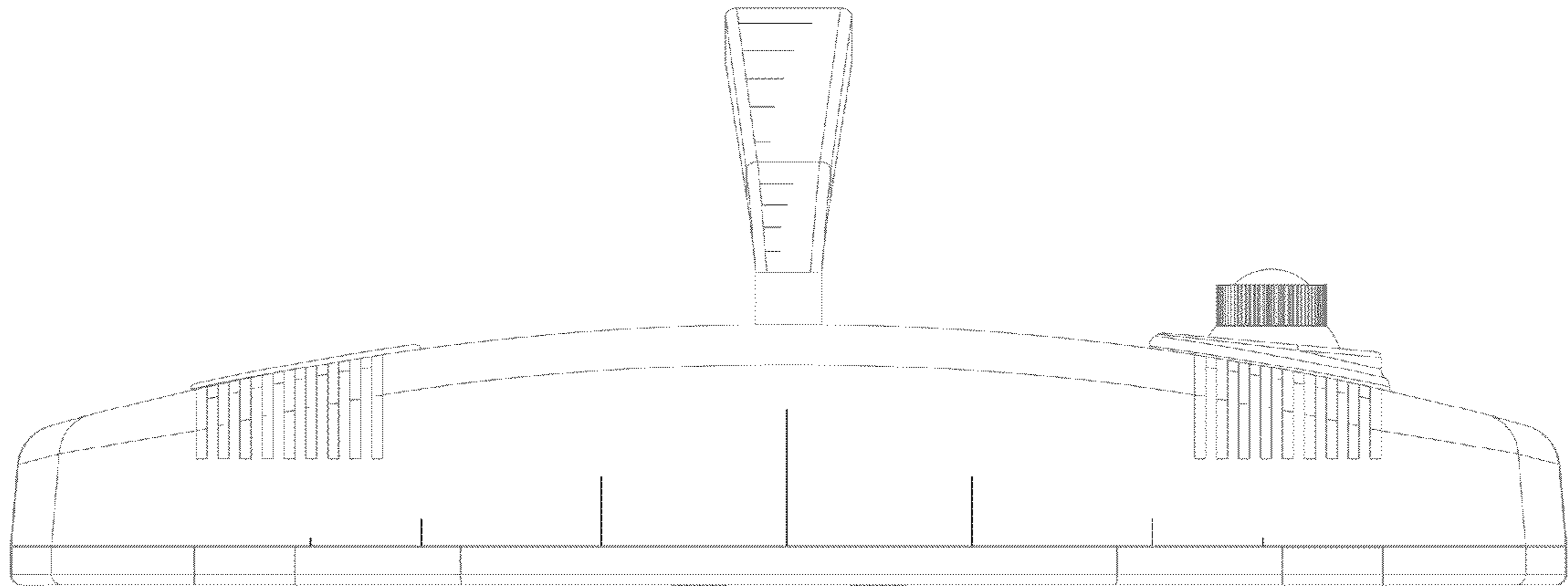


FIG. 5

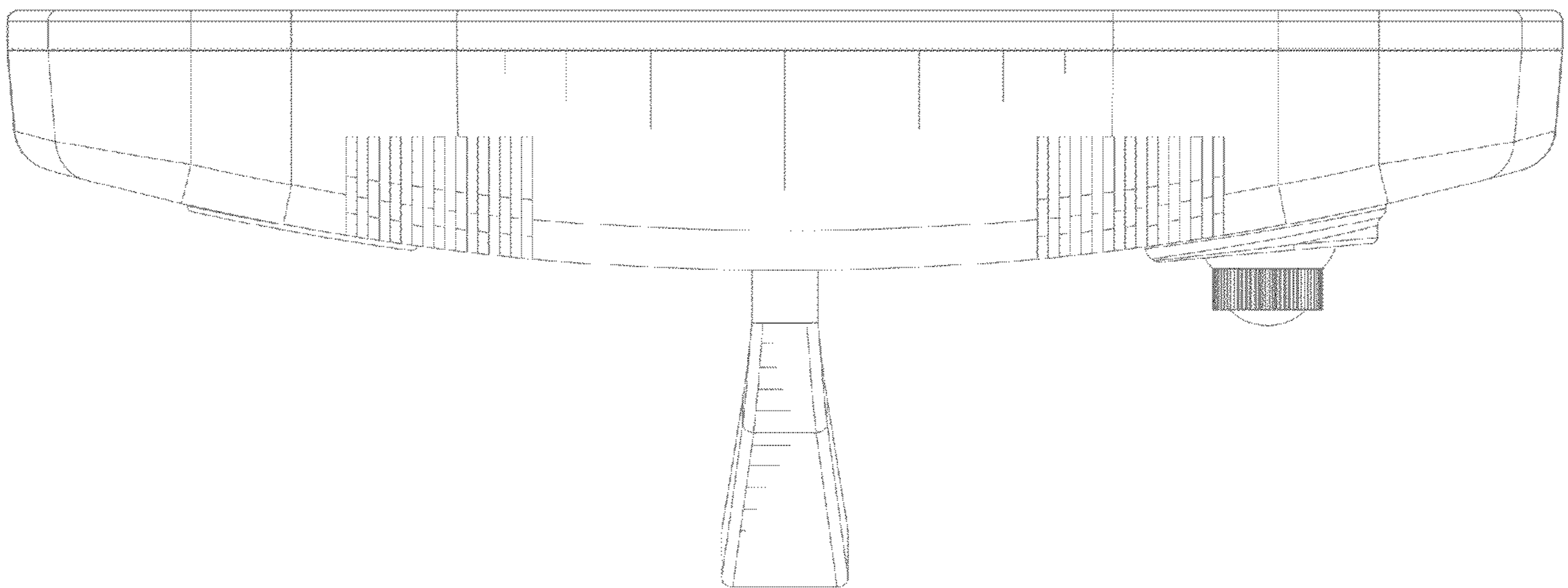


FIG. 6

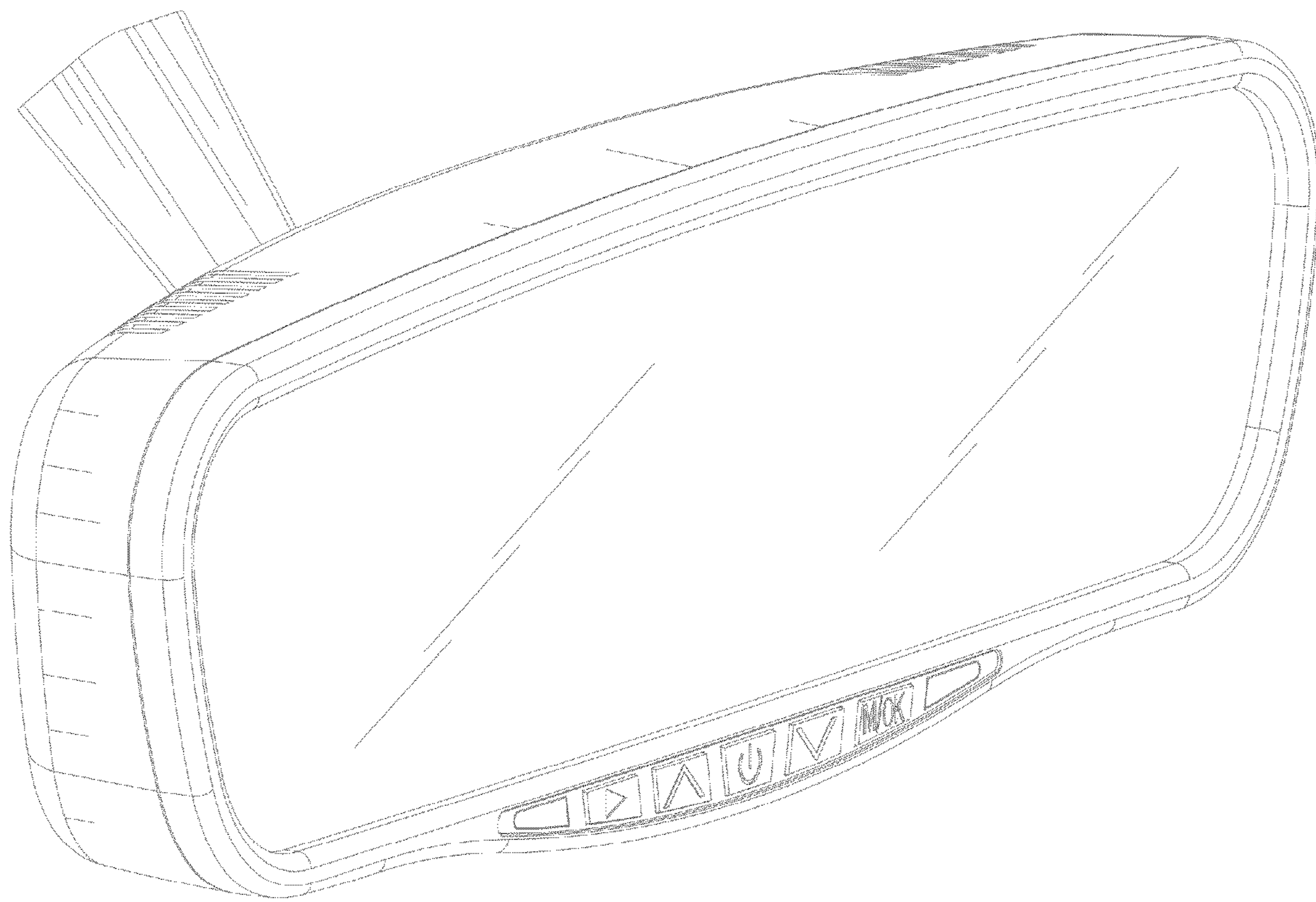


FIG. 7

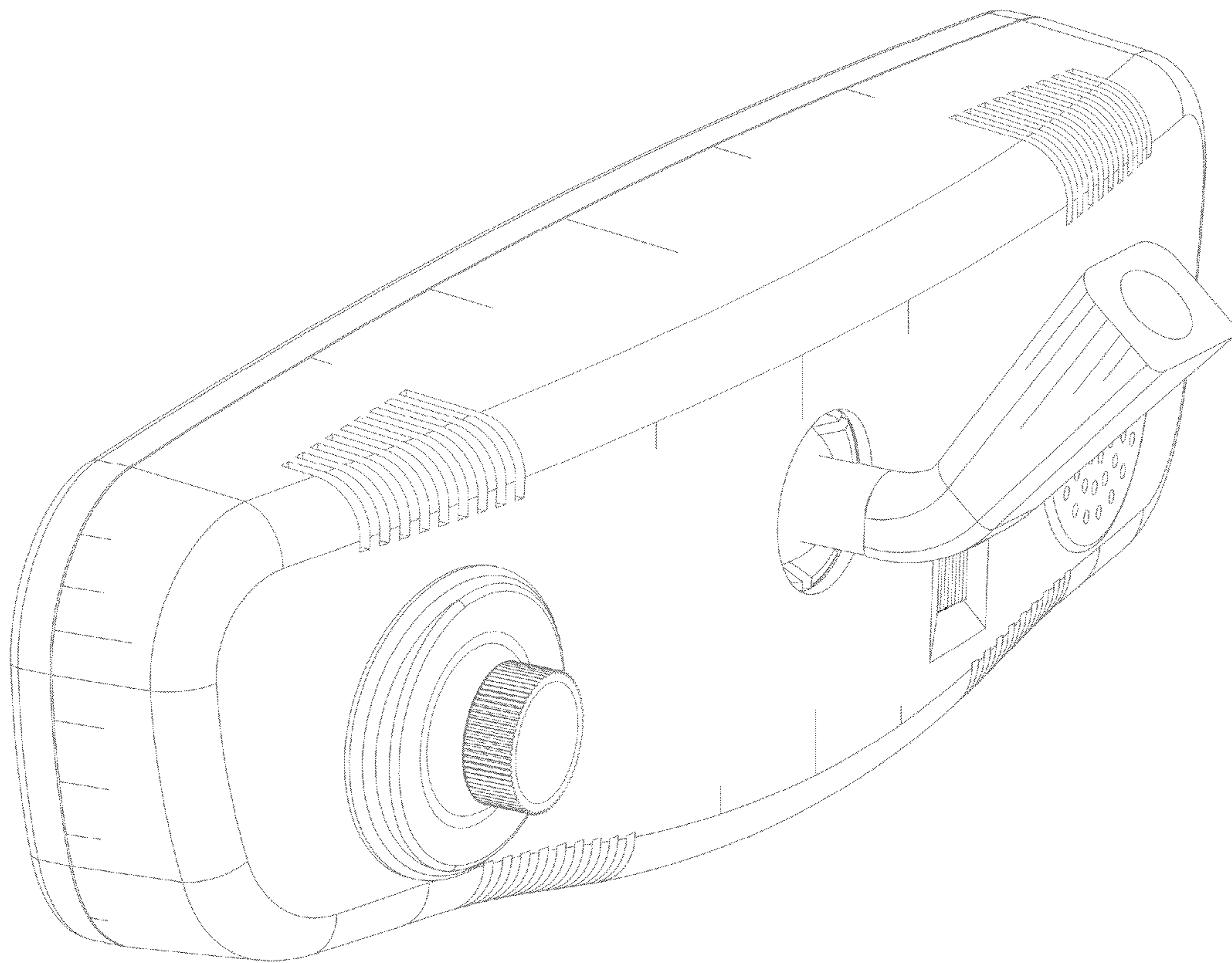


FIG. 8