



US00D755096S

(12) **United States Design Patent**
Wolff et al.

(10) **Patent No.:** **US D755,096 S**

(45) **Date of Patent:** **** May 3, 2016**

(54) **MOTOR VEHICLE FRONT FENDER**

(71) Applicant: **Ford Motor Company**, Dearborn, MI (US)

(72) Inventors: **Max Wolff**, Birmingham, MI (US);
Andrea Di Buduo, Birmingham, MI (US); **John Caswell**, Grosse Pointe, MI (US)

(73) Assignee: **Ford Motor Company**, Dearborn, MI (US)

(**) Term: **14 Years**

(21) Appl. No.: **29/511,806**

(22) Filed: **Dec. 15, 2014**

(51) **LOC (10) Cl.** **12-16**

(52) **U.S. Cl.**
USPC **D12/184**

(58) **Field of Classification Search**
USPC D12/90, 91, 92, 181, 184, 196;
280/152.1, 847, 848, 849, 851;
296/181.1, 181.5
CPC B62D 25/02; B62D 25/16; B62D 25/18;
B62D 25/162

See application file for complete search history.

(56) **References Cited**

U.S. PATENT DOCUMENTS

D509,778 S *	9/2005	Minami	D12/184
D525,925 S *	8/2006	Minowa	D12/184
D526,257 S *	8/2006	Konaka	D12/184
D555,557 S *	11/2007	Schiavone	D12/184
D561,667 S *	2/2008	Platto	D12/184
D572,182 S *	7/2008	Deane	D12/184
D582,821 S *	12/2008	Sato	D12/184
D591,213 S *	4/2009	Woolley	D12/184
D615,012 S *	5/2010	Ectors	D12/181

D629,344 S *	12/2010	Komuro	D12/181
D654,413 S *	2/2012	Okumoto	D12/184
D659,616 S *	5/2012	Matsumoto	D12/184
D669,829 S *	10/2012	Iwao	D12/184
D671,871 S *	12/2012	Ohkoshi	D12/184
D680,045 S *	4/2013	Hamilton	D12/184
D683,679 S *	6/2013	Platto	D12/184
D684,907 S *	6/2013	Abe	D12/184
D697,843 S *	1/2014	Suga	D12/184
D699,649 S *	2/2014	Okue	D12/184
D731,373 S *	6/2015	Howell	D12/184
2010/0314518 A1 *	12/2010	Steinhilb	B62D 25/163 248/274.1
2015/0035317 A1 *	2/2015	Aitharaju	A62D 25/163 296/187.03
2015/0158531 A1 *	6/2015	Iwano	B62D 25/163 296/198
2015/0251614 A1 *	9/2015	Bokseveld	B62D 25/105 293/155

* cited by examiner

Primary Examiner — Philip S Hyder

Assistant Examiner — Darlington Ly

(74) *Attorney, Agent, or Firm* — Damian Porcari

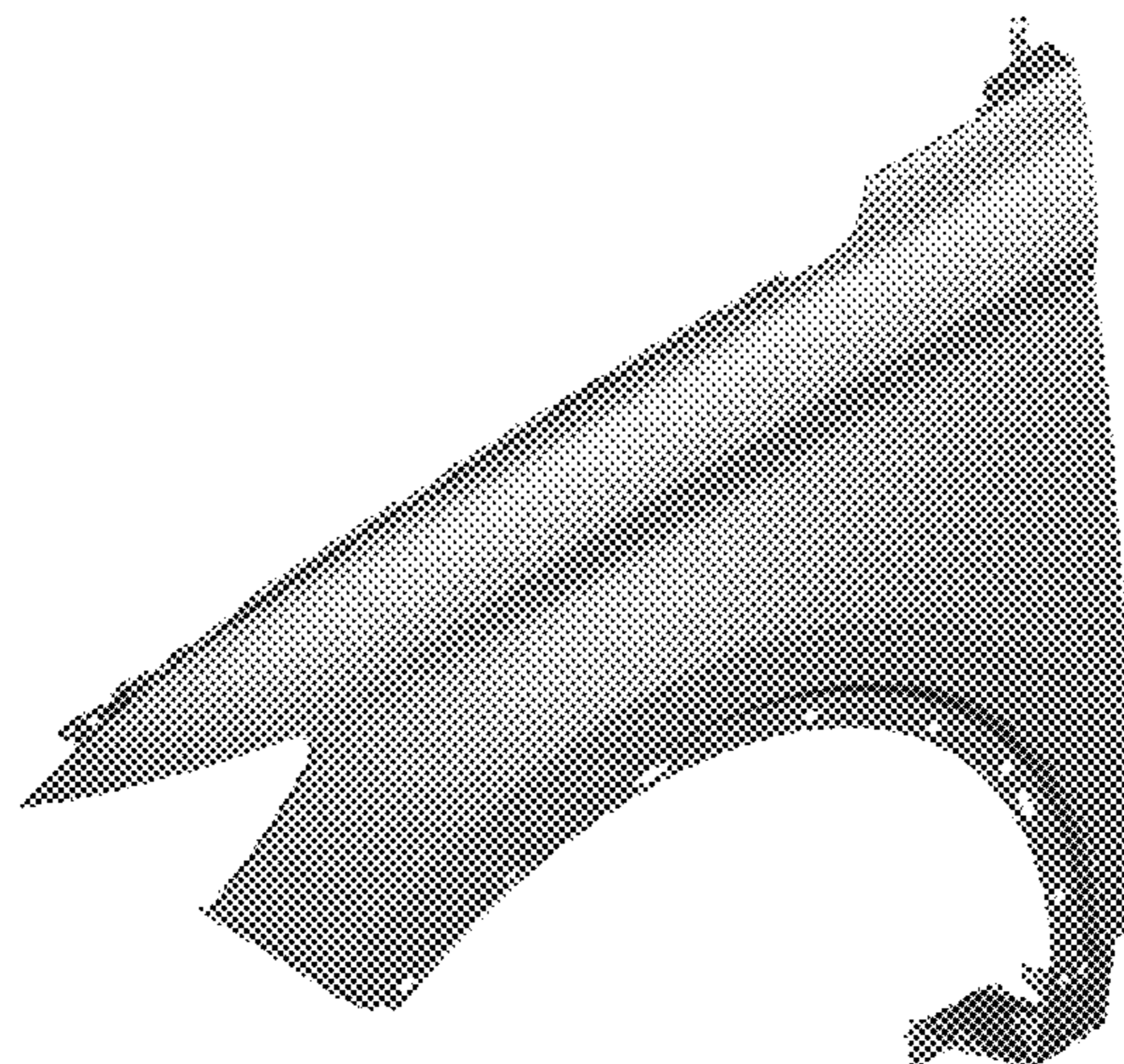
(57) **CLAIM**

The ornamental design for a motor vehicle front fender, as shown and described.

DESCRIPTION

FIG. 1 is a front and left side perspective view of the motor vehicle front fender showing our new design;
FIG. 2 is a rear and left side perspective view thereof;
FIG. 3 is a rear and right side perspective view thereof;
FIG. 4 is a front elevational view thereof;
FIG. 5 is a rear elevational view thereof;
FIG. 6 is a left side elevational view thereof;
FIG. 7 is a right side elevational view thereof;
FIG. 8 is a top plan view thereof; and,
FIG. 9 is a bottom plan view thereof.

1 Claim, 9 Drawing Sheets



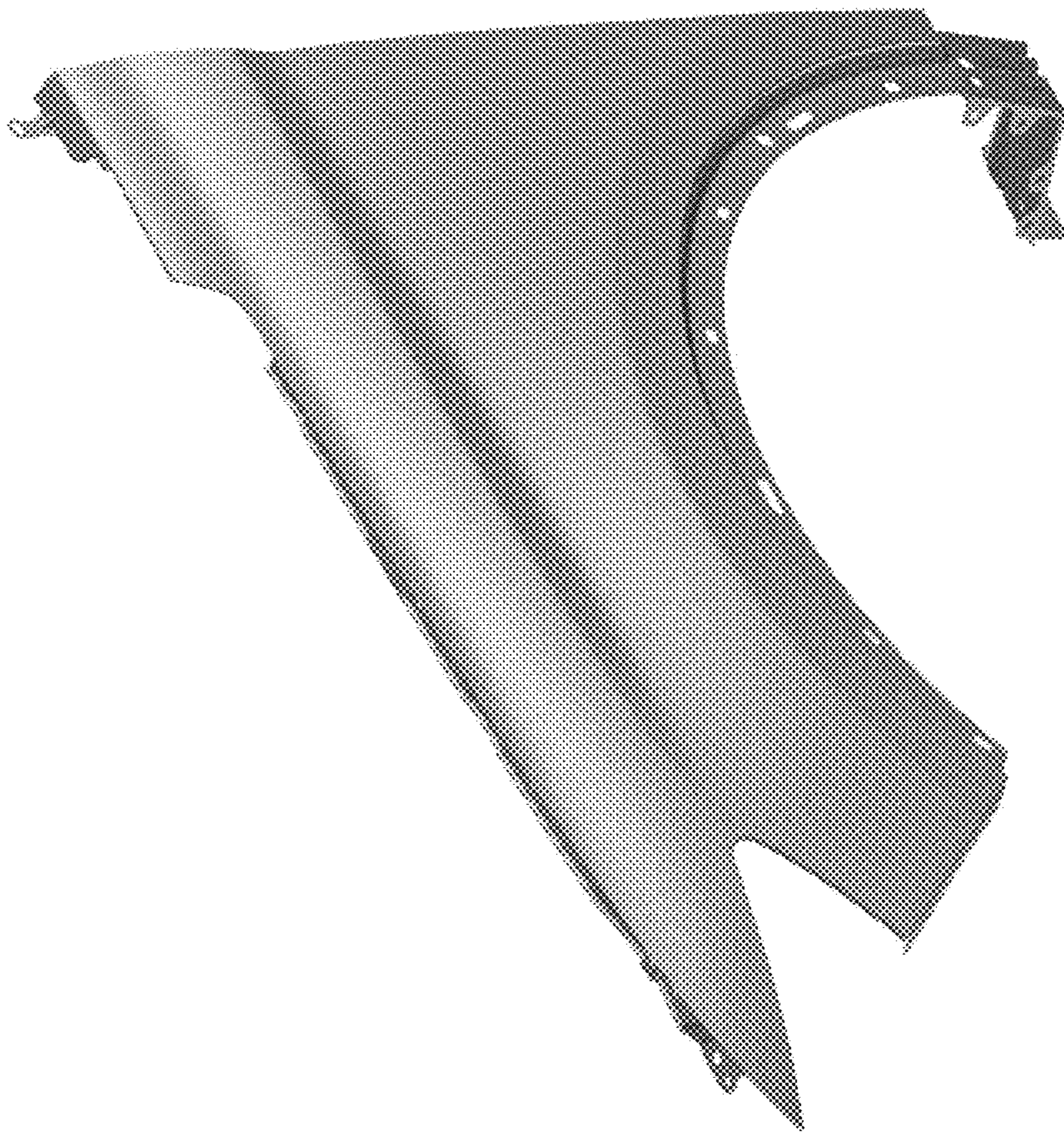


Figure 1

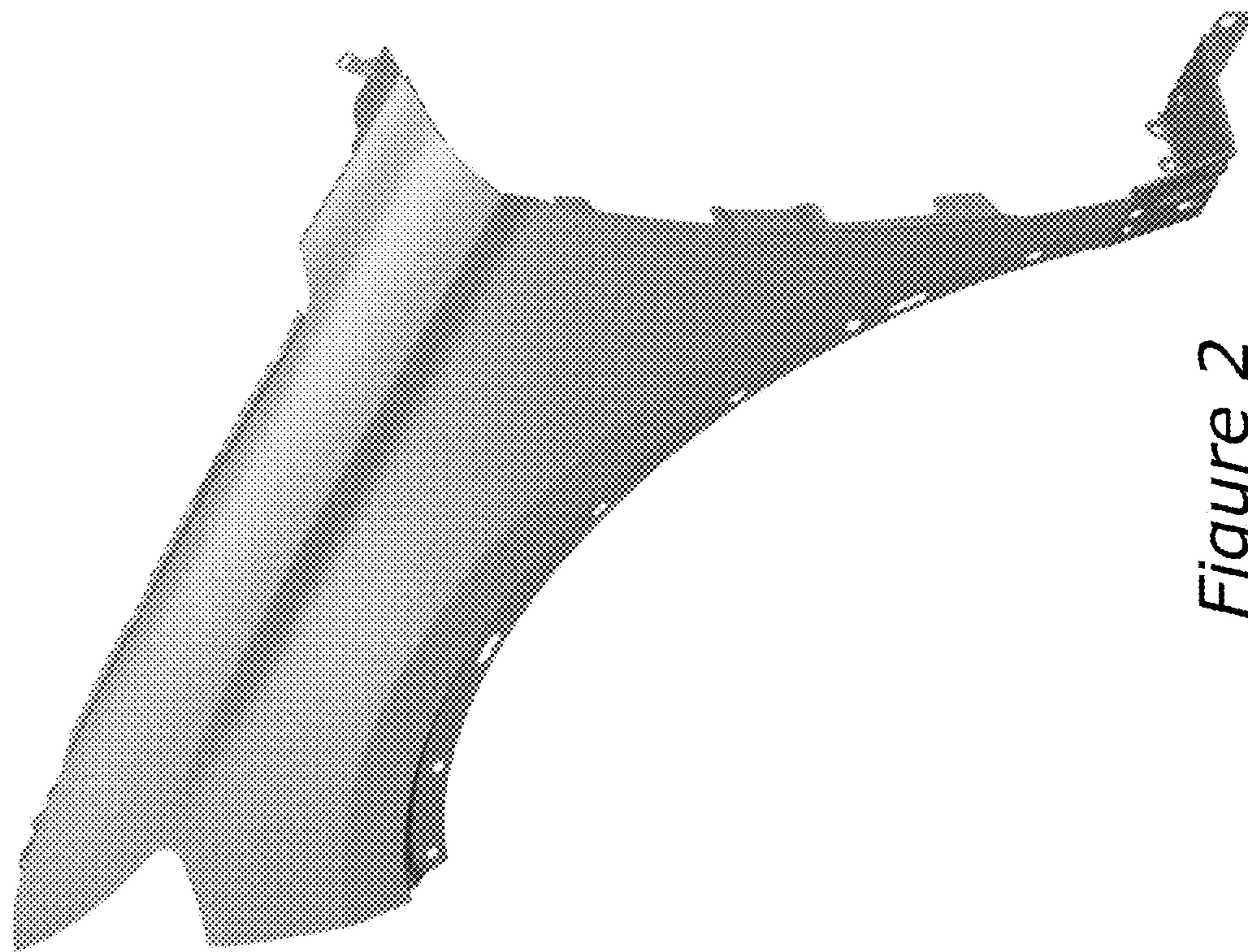


Figure 2

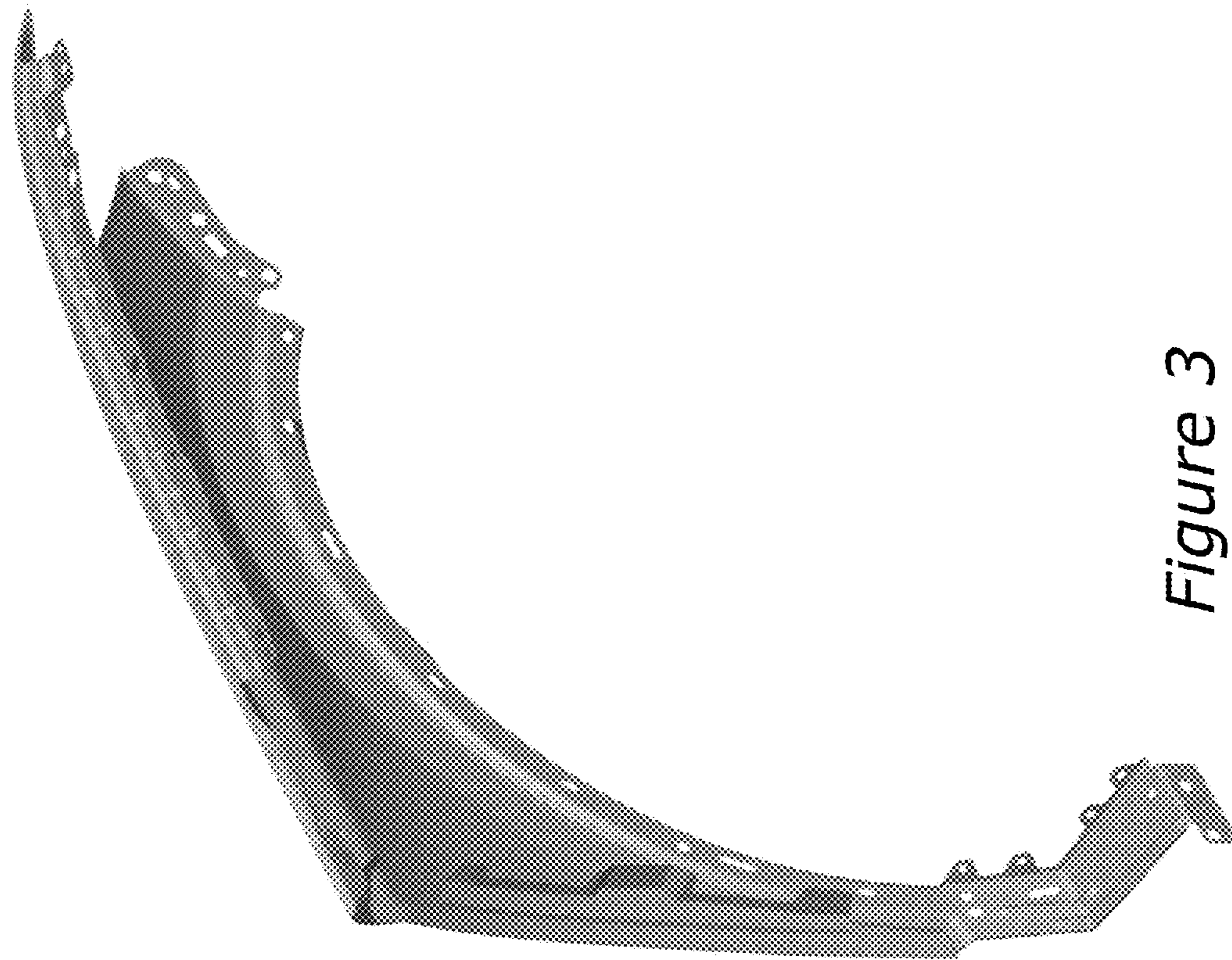


Figure 3

Figure 4





Figure 5

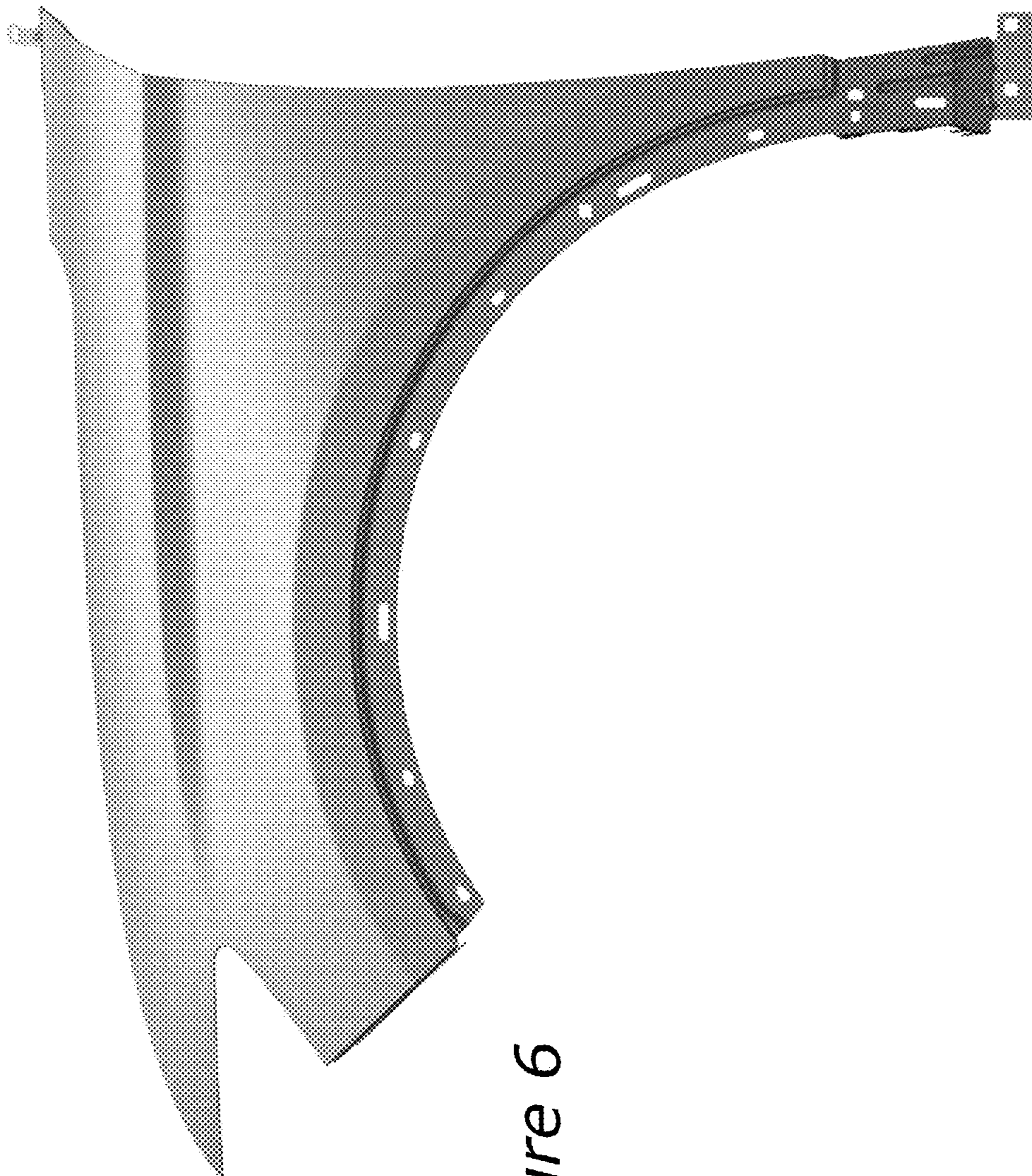


Figure 6

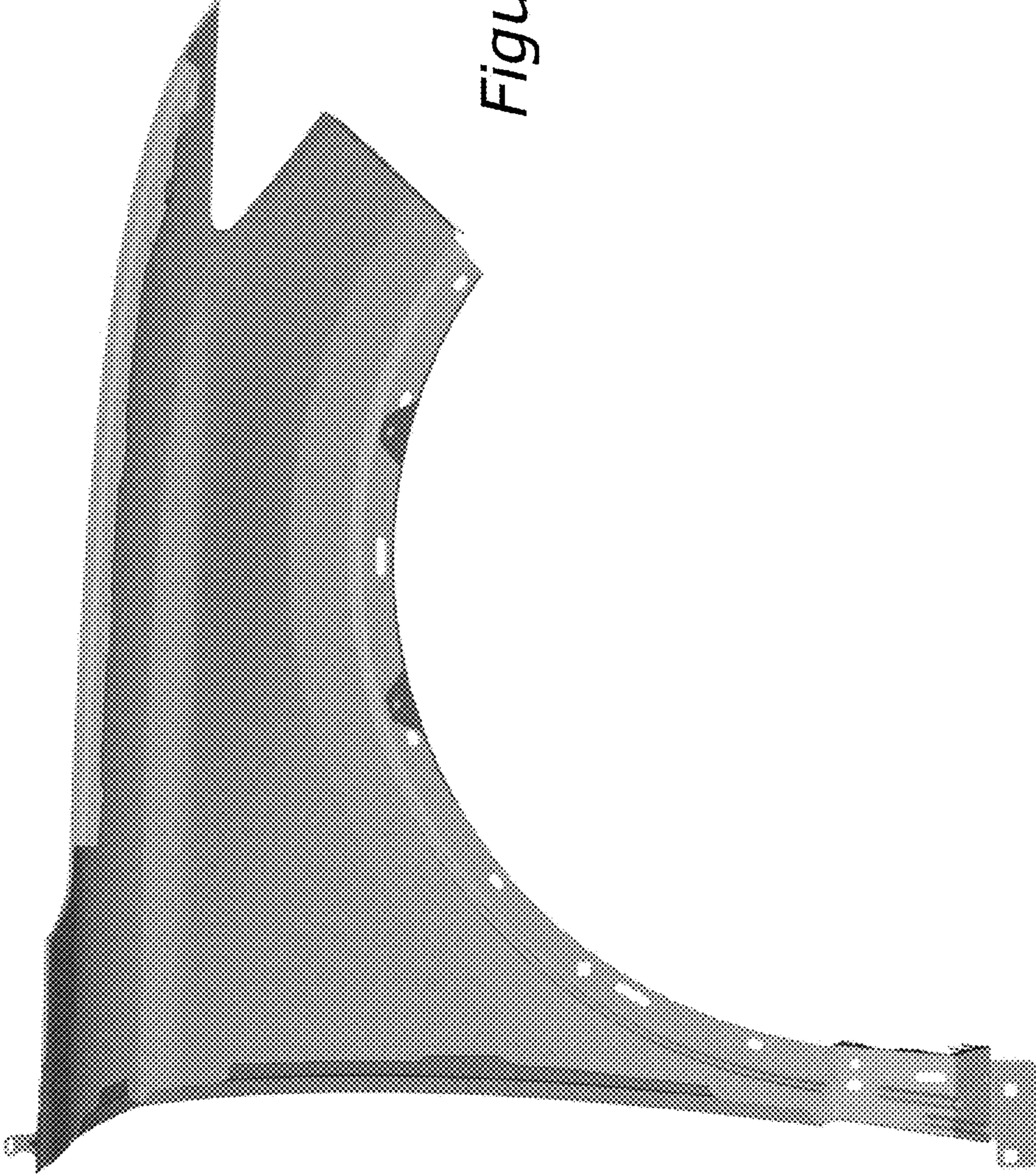


Figure 7

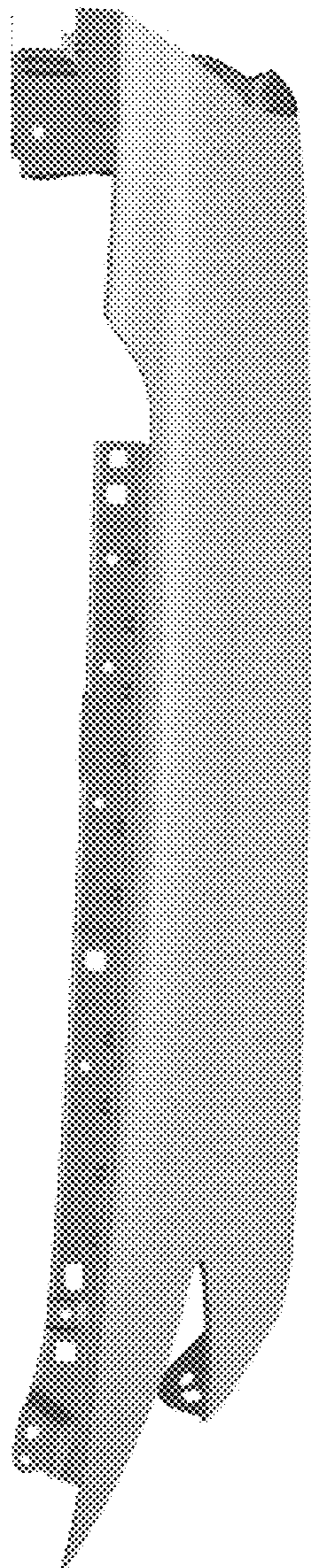


Figure 8

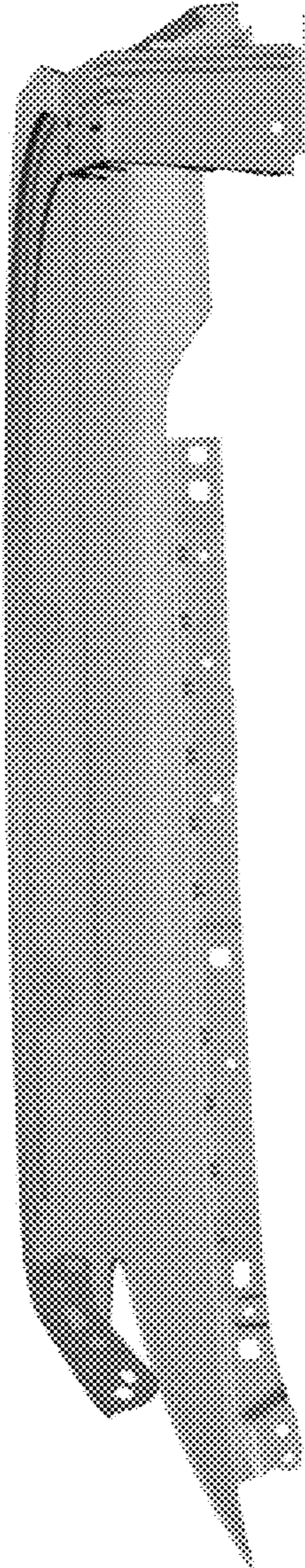


Figure 9