



US00D755094S

(12) **United States Design Patent**
Lanini

(10) **Patent No.:** **US D755,094 S**
(45) **Date of Patent:** **** May 3, 2016**

(54) **PIT BAR SYSTEM FOR ATTACHMENT TO VEHICLE'S PUSH BUMPER**

(71) Applicant: **Westin Automotive Products, Inc.**, San Dimas, CA (US)

(72) Inventor: **Jeremy Lanini**, Rancho Cucamonga, CA (US)

(73) Assignee: **Westin Automotive Products, Inc.**, San Dimas, CA (US)

(**) Term: **14 Years**

(21) Appl. No.: **29/480,713**

(22) Filed: **Jan. 29, 2014**

(51) **LOC (10) Cl.** **12-16**

(52) **U.S. Cl.**
USPC **D12/171**

(58) **Field of Classification Search**
USPC D12/90–92, 98, 163, 169, 171, 172;
180/86.1, 86.2; 280/163, 164; 293/115,
293/142; 296/183.1
CPC B60R 11/00; B60R 19/44; B60R 19/48;
B60R 19/52
See application file for complete search history.

(56) **References Cited**

U.S. PATENT DOCUMENTS

D361,316	S	*	8/1995	Orth et al.	D12/171
D388,042	S	*	12/1997	Thorne et al.	D12/171
5,695,228	A	*	12/1997	Storer	293/115
D396,678	S	*	8/1998	Shklyaver	D12/171
D410,879	S	*	6/1999	Orth, Sr.	D12/171
D416,219	S	*	11/1999	Waagenaar	D12/171
D422,952	S	*	4/2000	Waagenaar	D12/171
6,113,164	A	*	9/2000	Setina	293/142
D551,138	S	*	9/2007	Storer et al.	D12/171
D572,180	S	*	7/2008	Storer	D12/171
D577,319	S	*	9/2008	Storer	D12/171
2001/0015559	A1	*	8/2001	Storer	293/115
2013/0187395	A1	*	7/2013	Hanson et al.	293/115

OTHER PUBLICATIONS

“Pit Bar Elite” Westin Public Safety Division—Product Catalog., Mar. 27, 2014 [online], [retrieved on Apr. 3, 2015]. Retrieved from the Internet <URL: <http://www.westinpublicsafety.com/Pit-Bar-Elite/Pit-Bar-Elite.html>>.*

* cited by examiner

Primary Examiner — Philip S Hyder

Assistant Examiner — Darlington Ly

(74) *Attorney, Agent, or Firm* — The Dobrusin Law Firm, PC

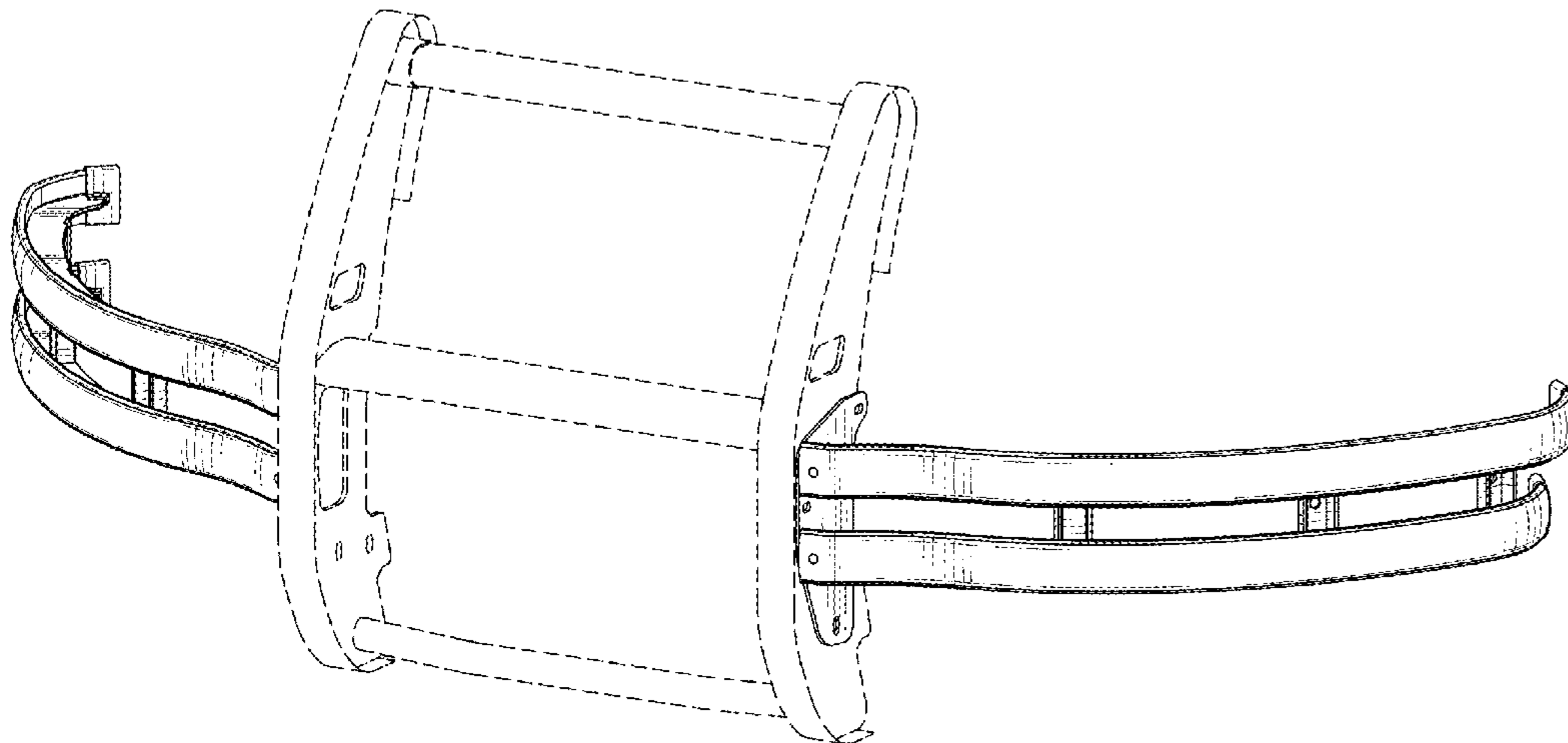
(57) **CLAIM**

The ornamental design for a pit bar system for attachment to vehicle's push bumper, as shown and described.

DESCRIPTION

FIG. 1 is a front and left-side perspective view of the pit bar system for attachment to vehicle's push bumper showing our my new design secured to a push bumper of a vehicle;
FIG. 2 is a top, front and left-side perspective view thereof;
FIG. 3 is an enlarged bottom, front and right-side perspective view of the left component of the pit bar system, of which the right component is a mirror image;
FIG. 4 is a front perspective view thereof;
FIG. 5 is a rear elevation view thereof;
FIG. 6 is a top plan view thereof;
FIG. 7 is a bottom plan view thereof;
FIG. 8 is a right-side elevation view thereof;
FIG. 9 is a left-side perspective view thereof;
FIG. 10 is a top, rear and left-side perspective view thereof;
and,
FIG. 11 is a top, rear and right-side perspective view thereof.
The broken lines showing a vehicle with a push bumper is for the purpose of illustrating environmental structure only and forms no part of the claimed design.

1 Claim, 10 Drawing Sheets



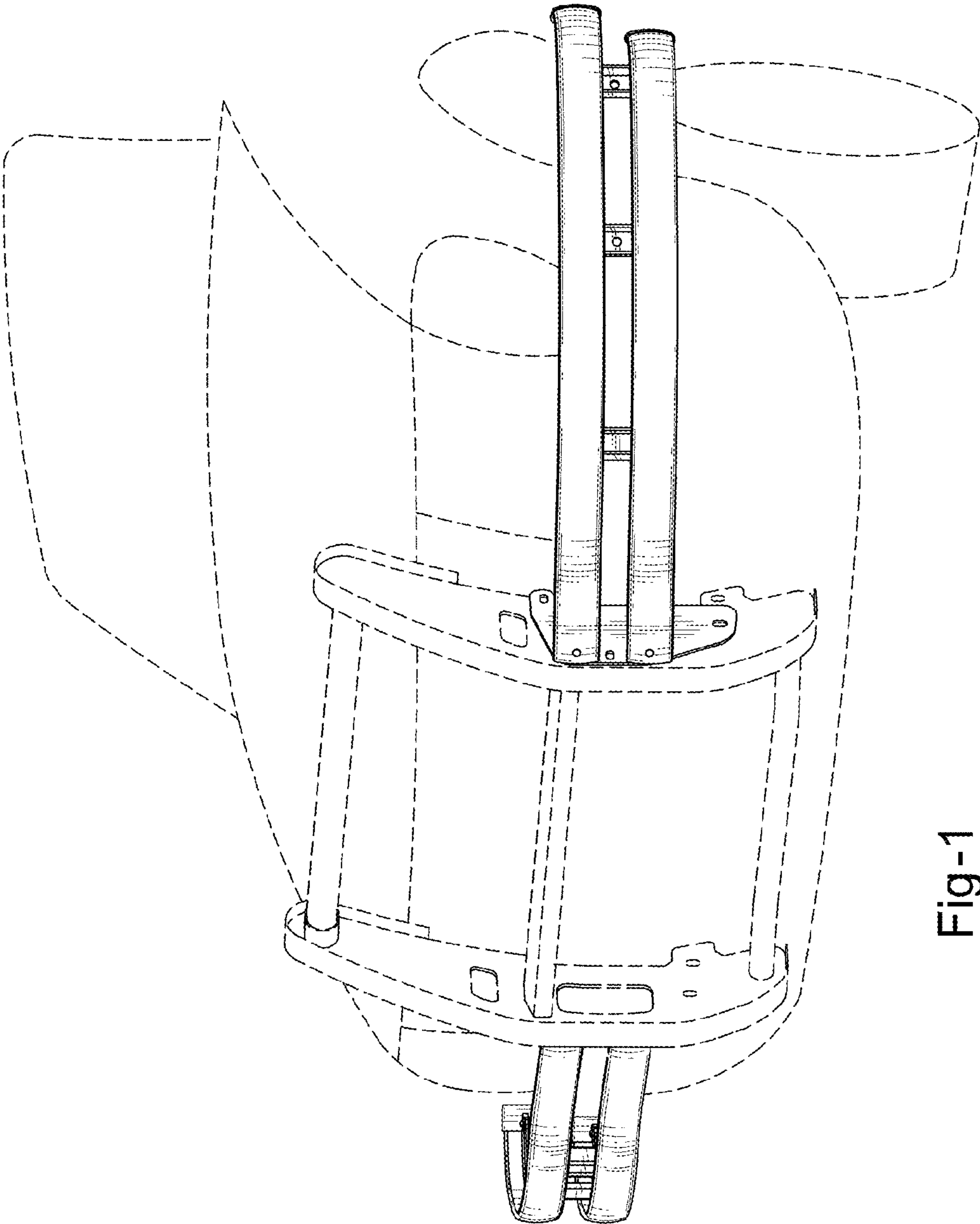


Fig-1

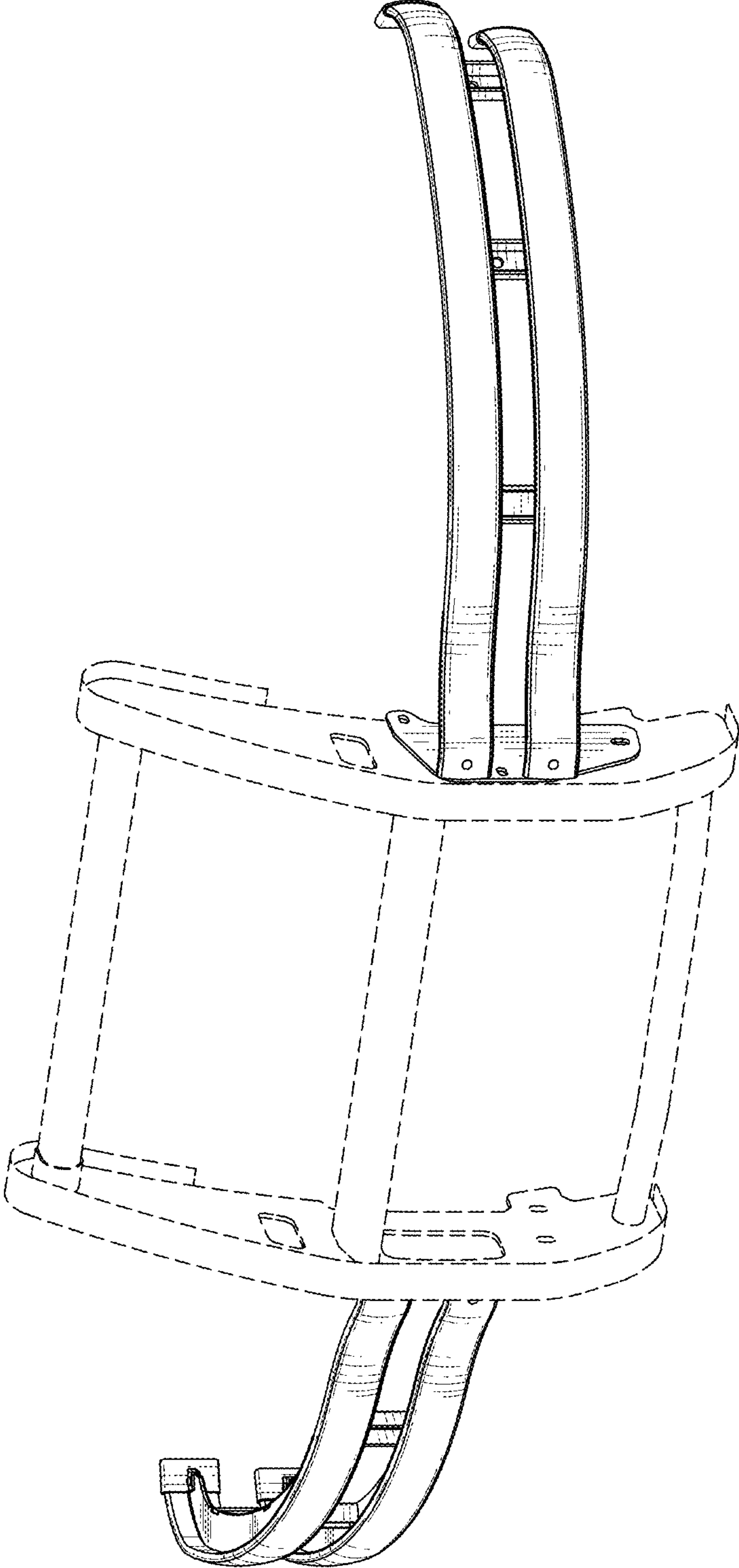


Fig-2

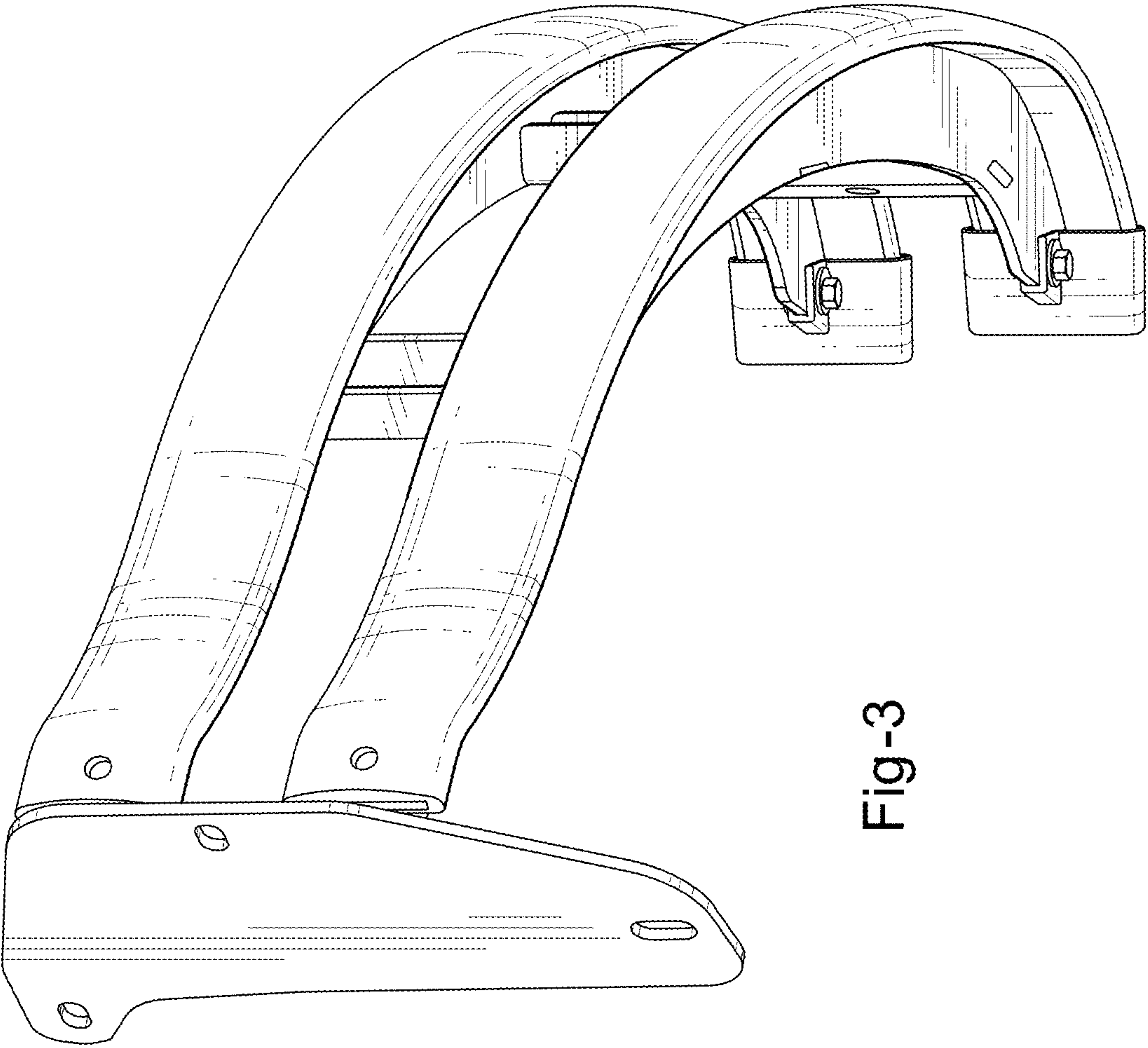


Fig-3

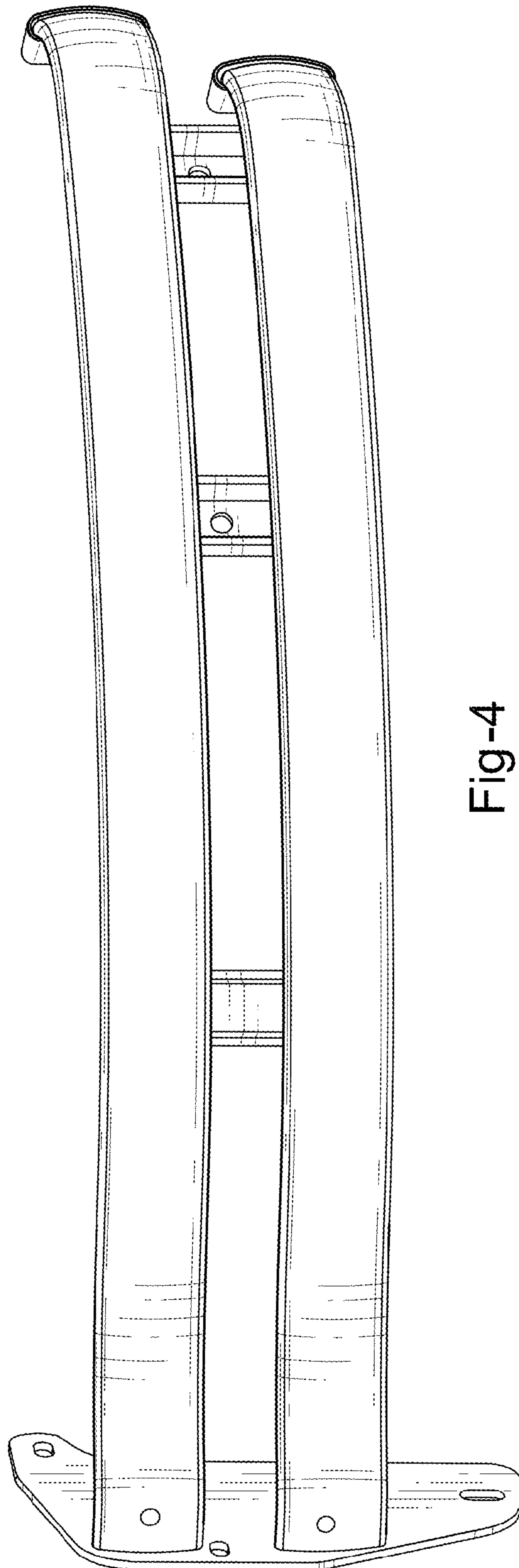


Fig-4

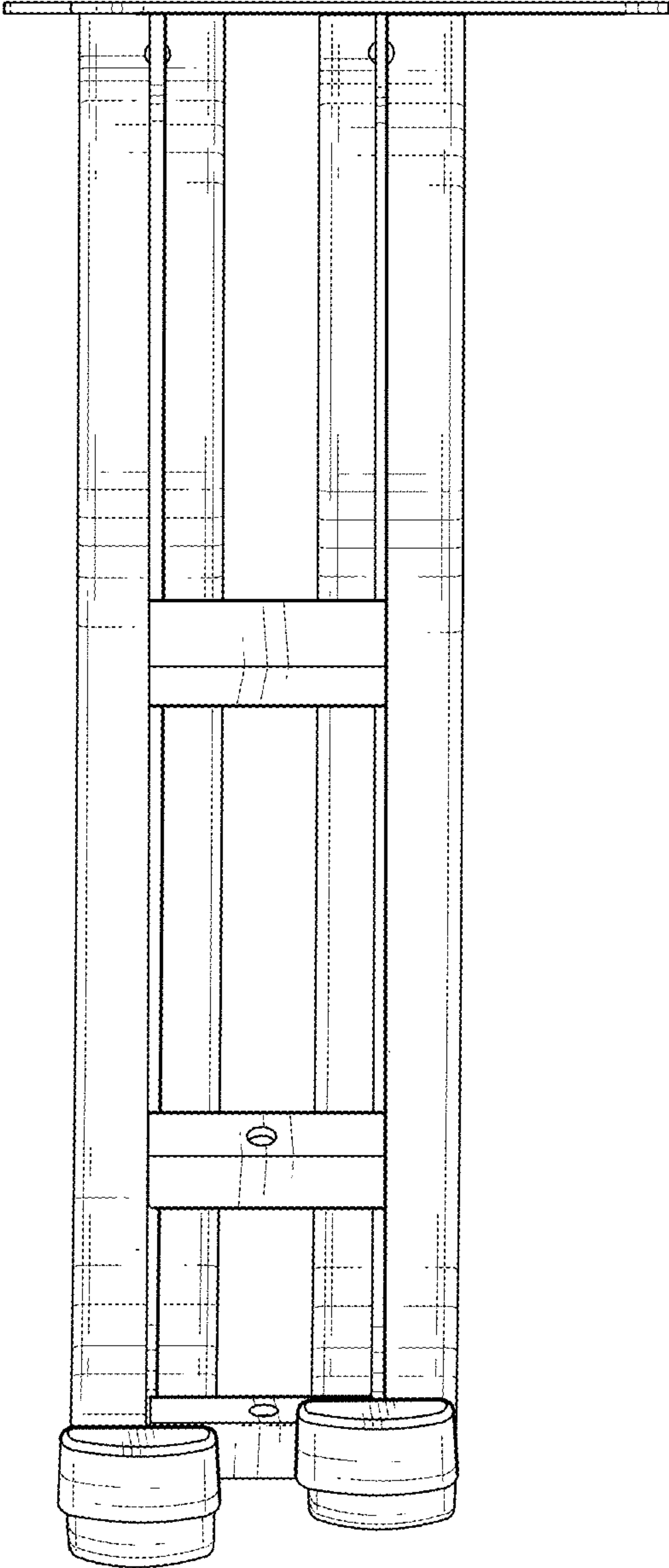


Fig-5

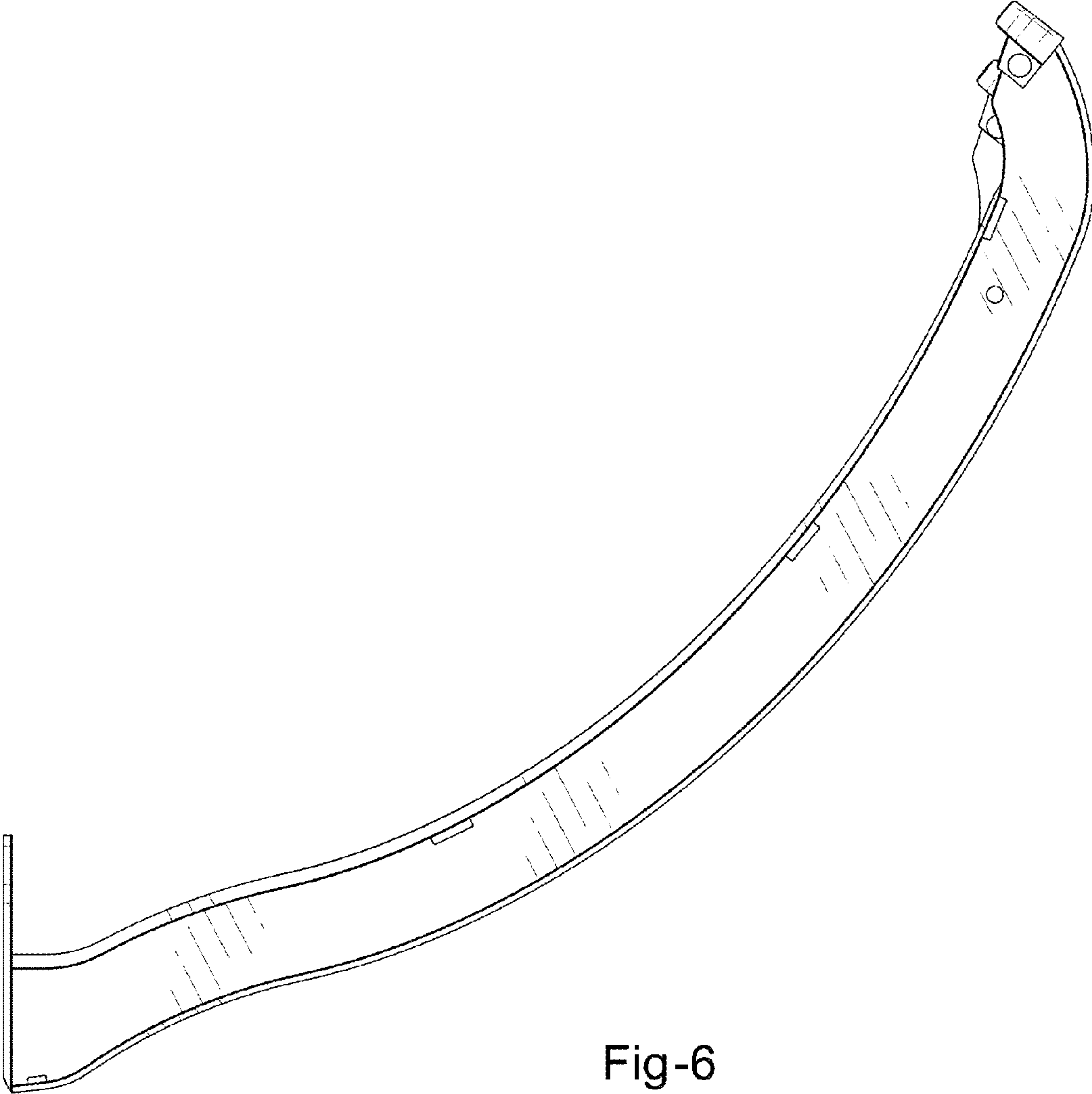


Fig-6

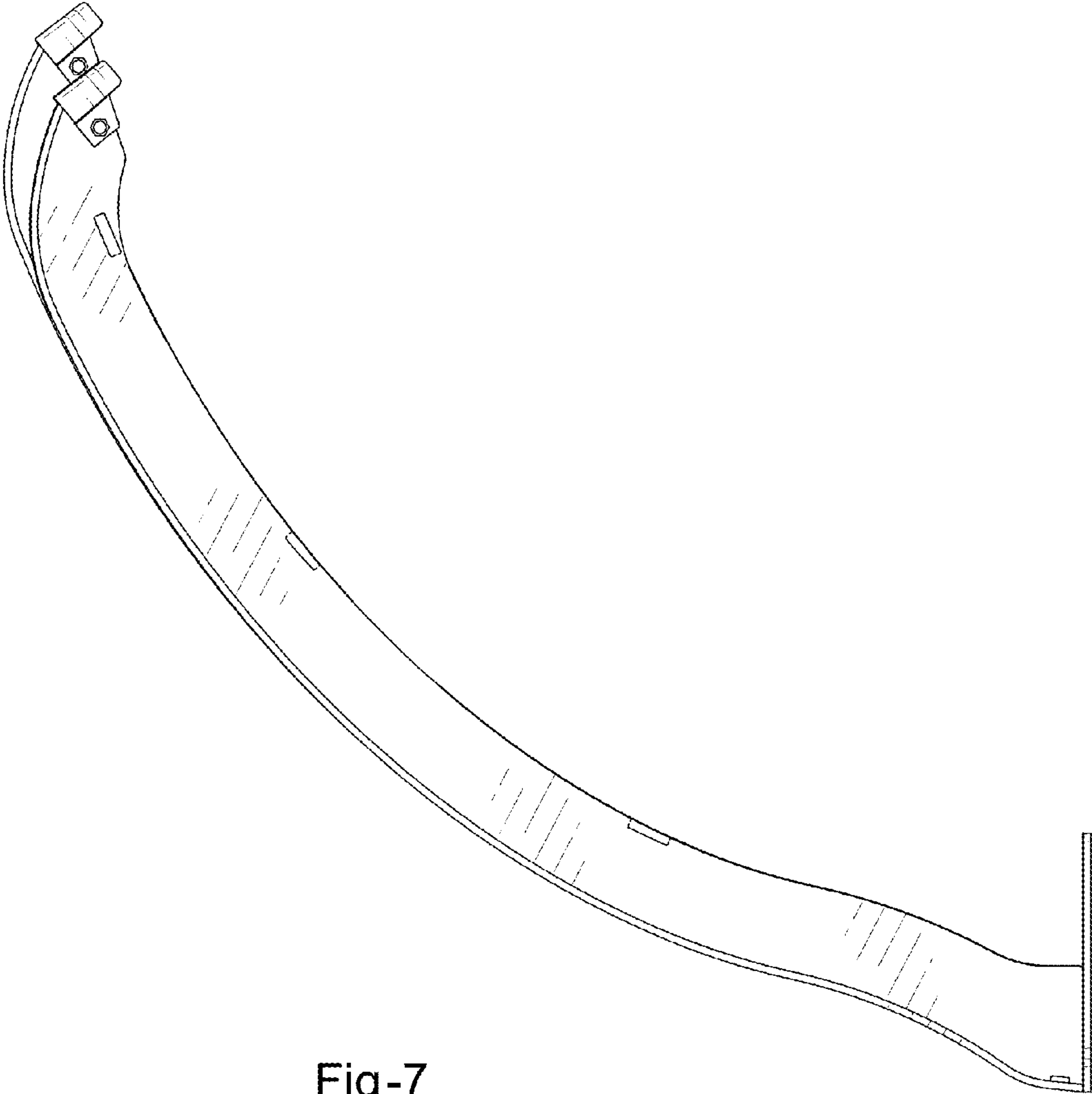


Fig-7

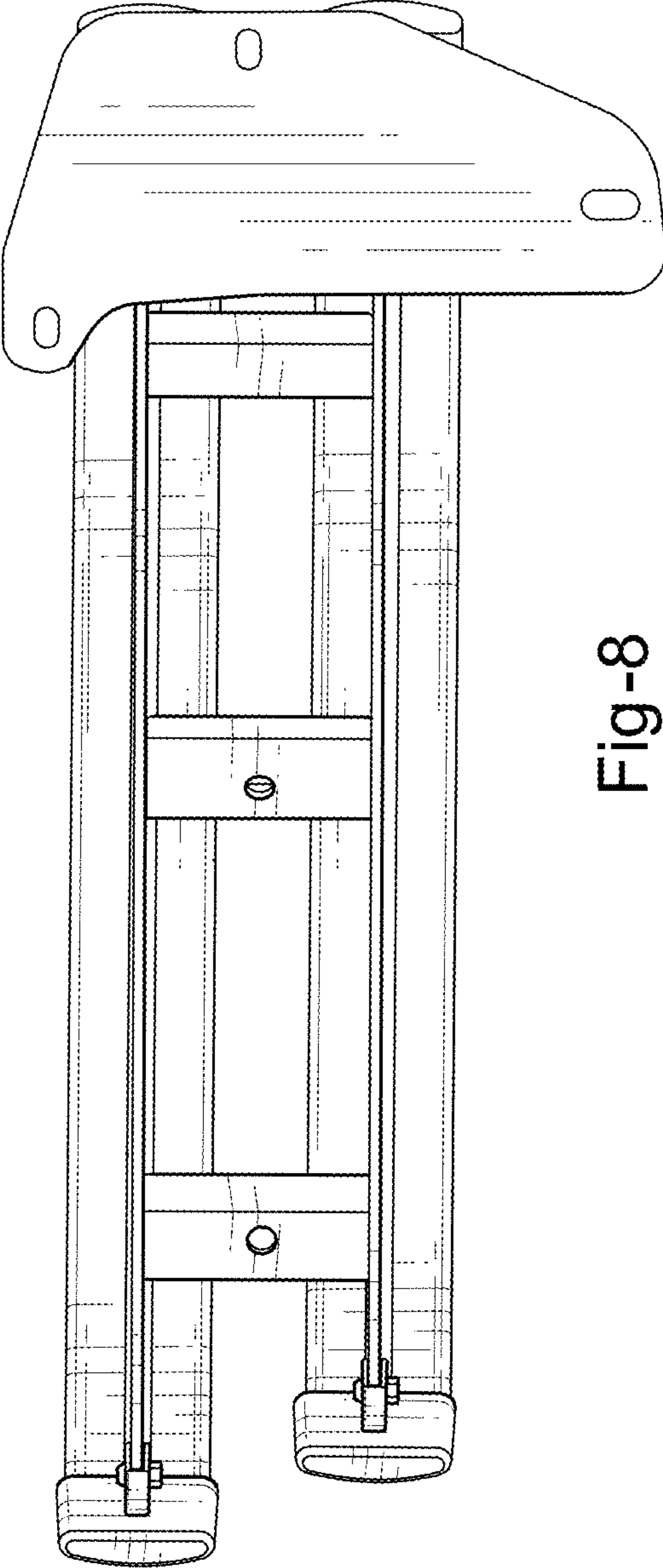


Fig-8

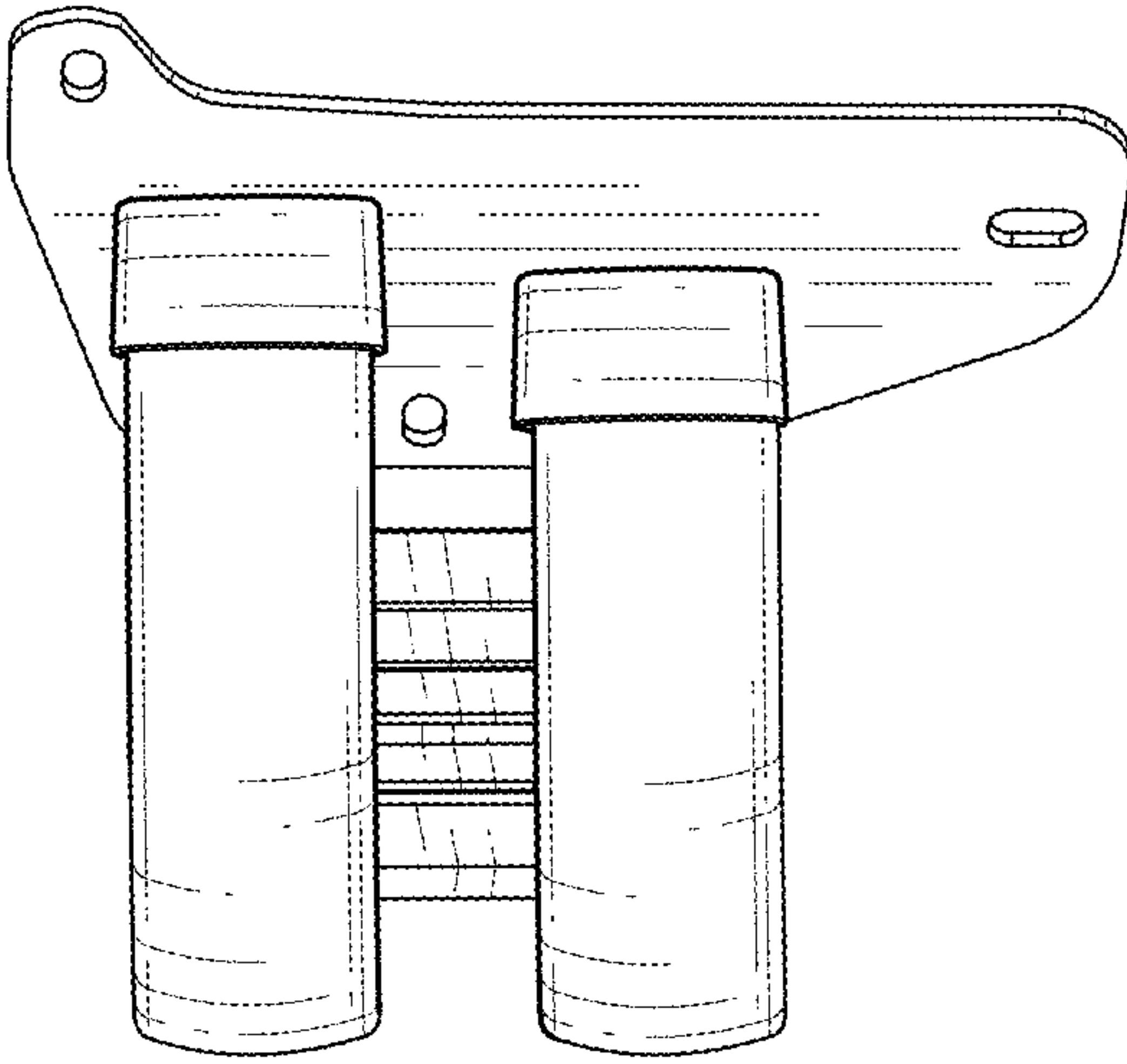


Fig-9

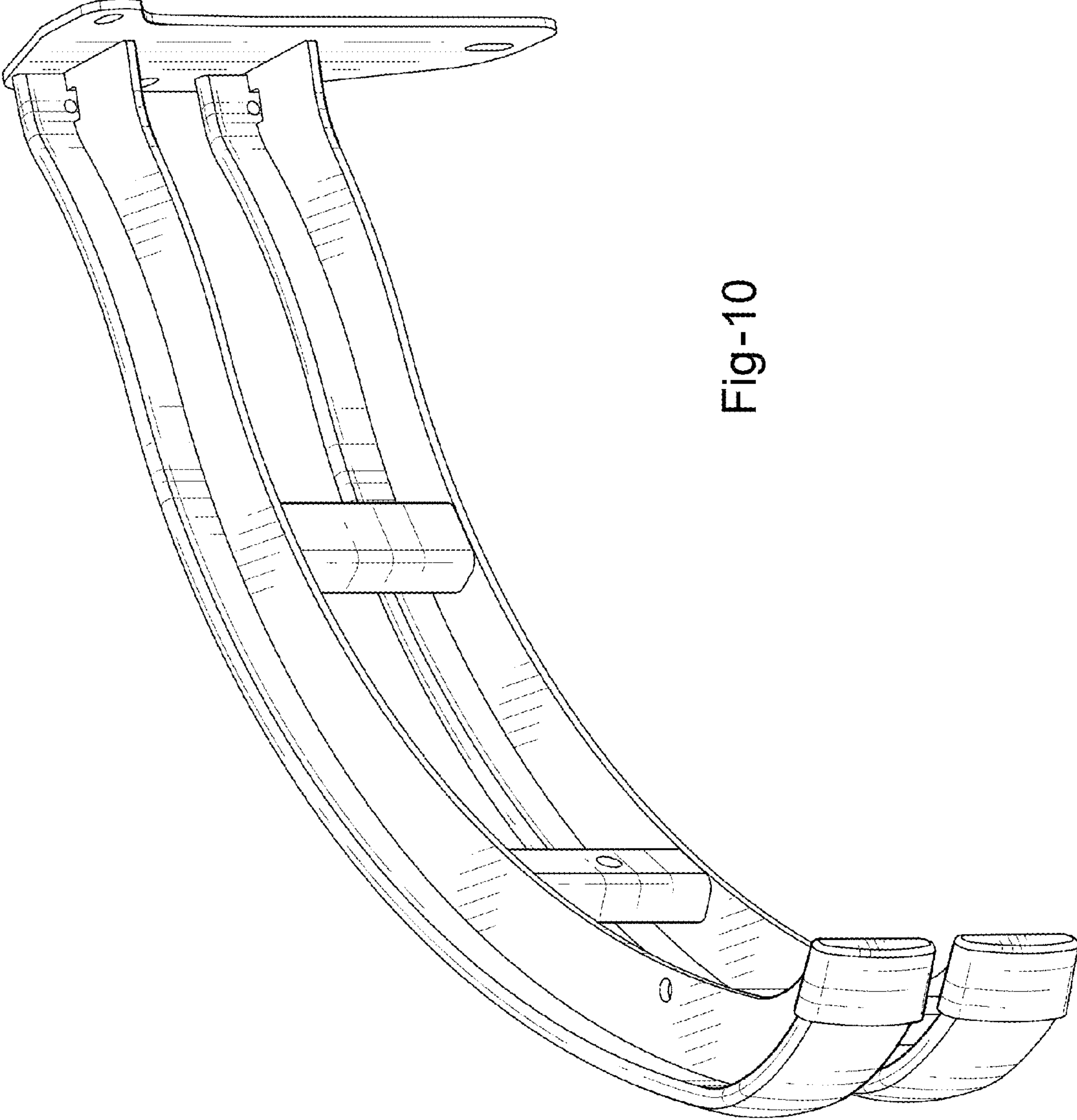


Fig-10

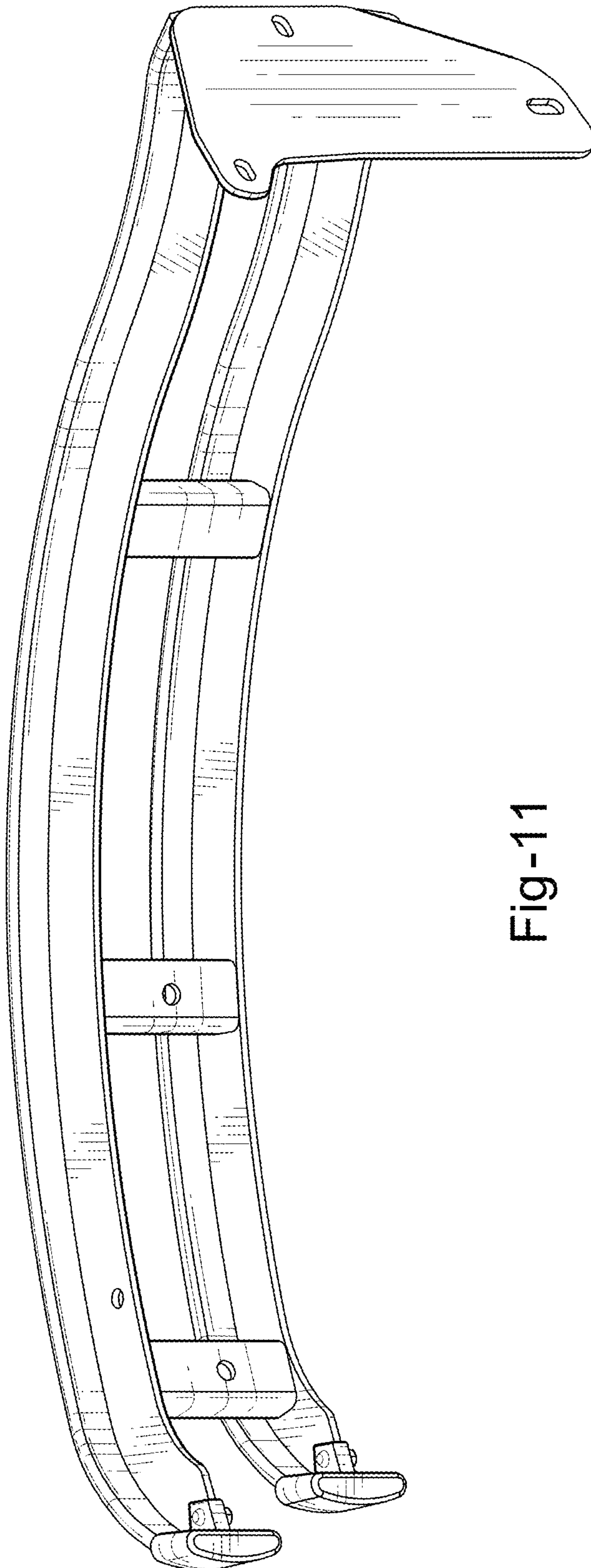


Fig-11

UNITED STATES PATENT AND TRADEMARK OFFICE
CERTIFICATE OF CORRECTION

PATENT NO. : D755,094 S
APPLICATION NO. : 29/480713
DATED : May 3, 2016
INVENTOR(S) : Jeremy Lanini

Page 1 of 1

It is certified that error appears in the above-identified patent and that said Letters Patent is hereby corrected as shown below:

Title Page

Description Section, Figure 1, Lines 2-3, "our my" should read "my".

Signed and Sealed this
Fifteenth Day of November, 2016



Michelle K. Lee
Director of the United States Patent and Trademark Office