



US00D755090S

(12) **United States Design Patent**
Ino

(10) **Patent No.:** **US D755,090 S**
(45) **Date of Patent:** **** May 3, 2016**

(54) **AUTOMOBILE RADIATOR GRILLE**

FOREIGN PATENT DOCUMENTS

(71) Applicant: **Nissan Motor Co., Ltd.**, Yokohama,
Kanagawa (JP)
(72) Inventor: **Masanobu Ino**, Kanagawa (JP)
(73) Assignee: **Nissan Motor Co., Ltd.**, Yokohama (JP)

EM 001226856-0002 7/2010
EM 001242390-0003 10/2010
EM 001253256-0001 12/2010
JP D1447108 S 7/2012
JP D1447591 S 7/2012
JP D1501242 S 6/2014

(**) Term: **14 Years**

* cited by examiner

(21) Appl. No.: **29/513,042**

Primary Examiner — Philip S Hyder
Assistant Examiner — Darlington Ly

(22) Filed: **Dec. 24, 2014**

(74) *Attorney, Agent, or Firm* — Global IP Counselors, LLP

(51) **LOC (10) Cl.** **12-16**

(52) **U.S. Cl.**
USPC **D12/163**

(57) **CLAIM**

The ornamental design for a automobile radiator grille, as shown and described.

(58) **Field of Classification Search**

DESCRIPTION

USPC D12/86, 90, 91, 92, 163, 169, 196, 171,
D12/216; D15/31; 180/68.1, 68.6; 293/103,
293/115, 117, 120, 193.1, 193.11
CPC B60R 19/52; B60R 2019/525; B60K 11/085;
B62D 25/084; H01Q 1/32
See application file for complete search history.

FIG. 1 is a front elevational view of a automobile radiator grille in accordance with our new design;
FIG. 2 is a top plan view of the automobile radiator grille in accordance with our new design of FIG. 1;
FIG. 3 is a bottom plan view of the automobile radiator grille in accordance with our new design of FIGS. 1 and 2;
FIG. 4 is a left side elevational view of the automobile radiator grille in accordance with our new design of FIGS. 1 to 3;
FIG. 5 is a right side elevational view of the automobile radiator grille in accordance with our new design of FIGS. 1 to 4;
FIG. 6 is a front-right-top side perspective view of the automobile radiator grille in accordance with our new design of FIGS. 1 to 5; and,
FIG. 7 is a front-left-bottom side perspective view of the automobile radiator grille in accordance with our new design of FIGS. 1 to 6.

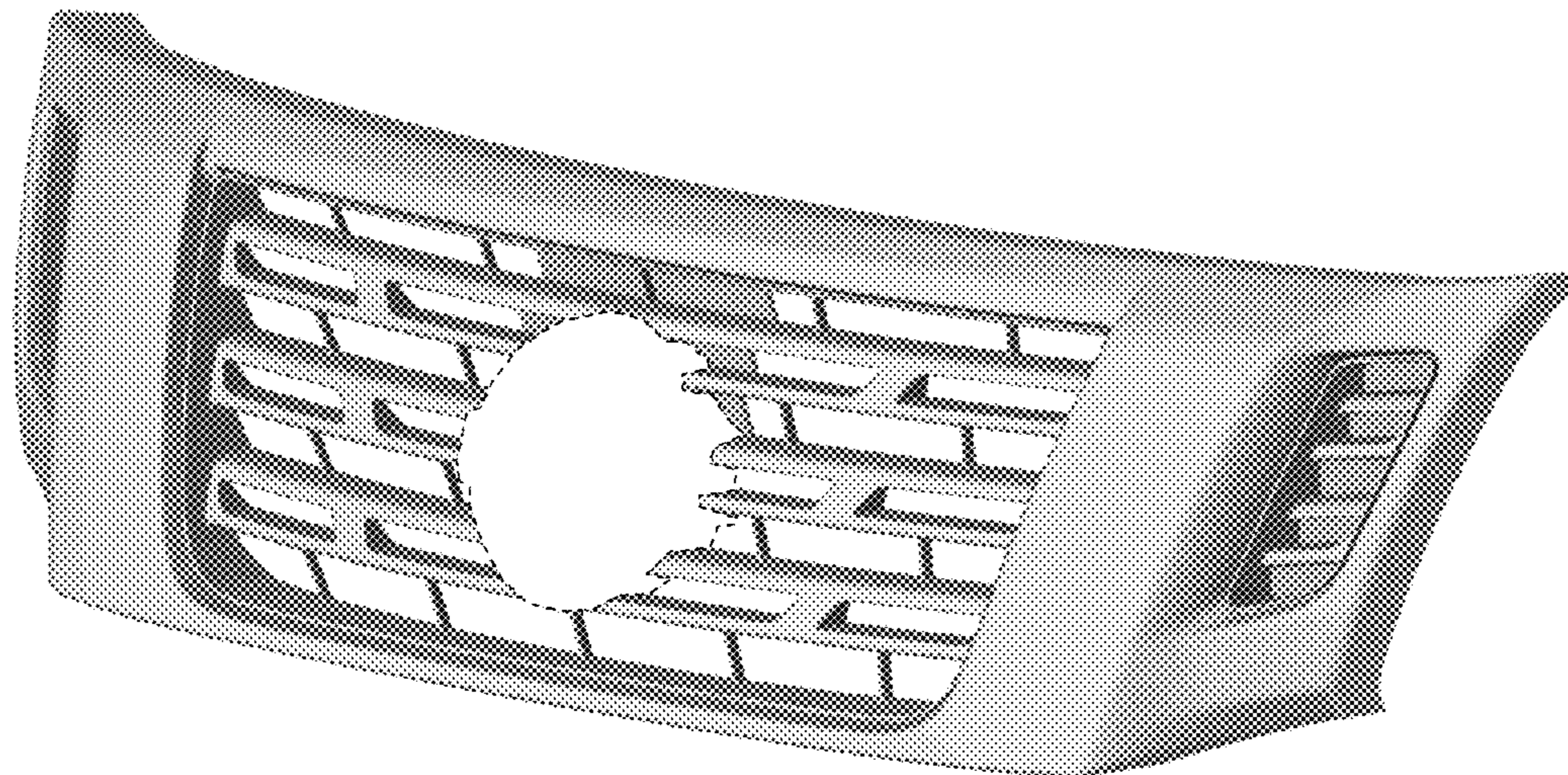
(56) **References Cited**

U.S. PATENT DOCUMENTS

D491,495 S * 6/2004 Metros D12/163
D495,979 S * 9/2004 Metros D12/163
D497,849 S * 11/2004 Yanase D12/163
D523,381 S * 6/2006 Taguchi D12/163
D551,145 S * 9/2007 Canitano D12/196
7,464,984 B1 * 12/2008 McDaniel B60R 19/52
180/68.6
D592,111 S * 5/2009 Janik D12/163
D623,565 S * 9/2010 Cogswell D12/163
D627,686 S * 11/2010 Thompson D12/91
D634,676 S * 3/2011 Iida D12/163
D646,203 S * 10/2011 Thompson D12/91
D670,214 S * 11/2012 Watanabe D12/163
D682,753 S * 5/2013 Yoshida D12/163

The broken line illustrate portions of the automobile radiator grille in which the design is embodied that form no part of the claimed design.

1 Claim, 7 Drawing Sheets



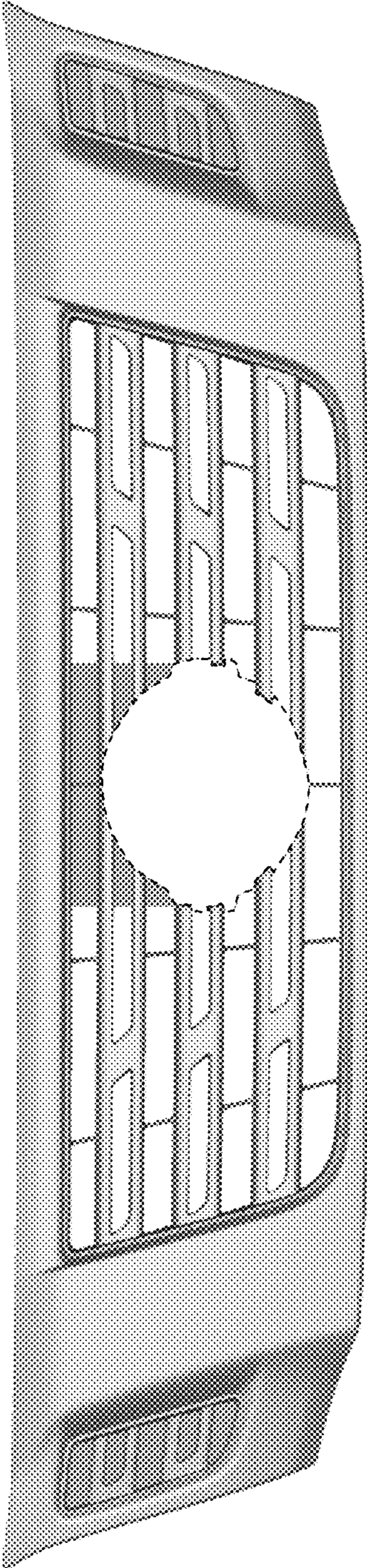


FIG. 1

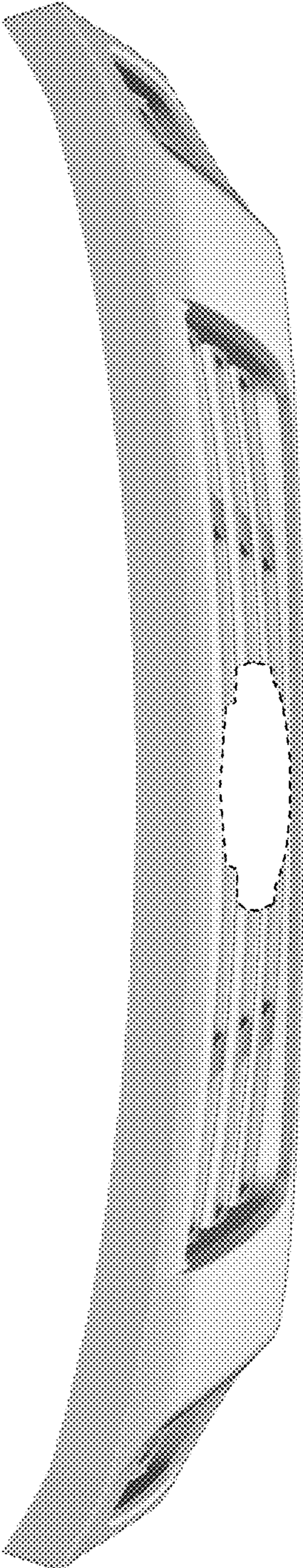


FIG. 2

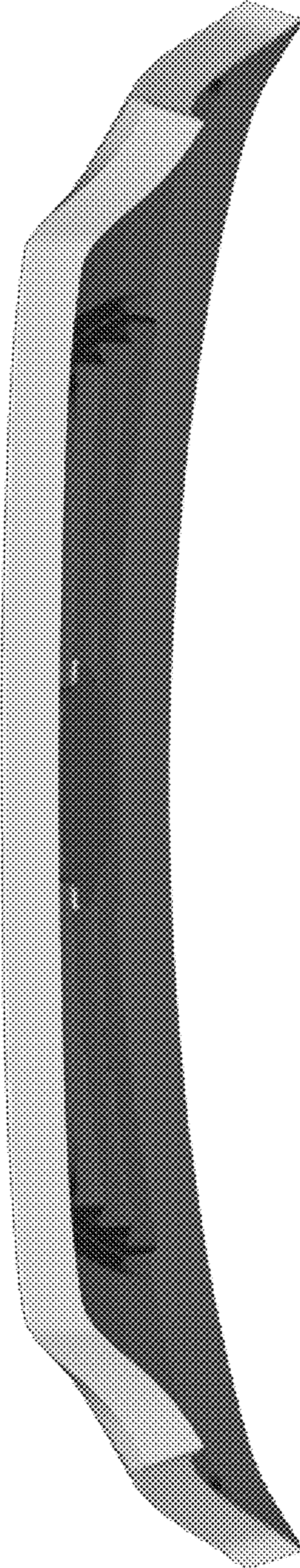


FIG. 3

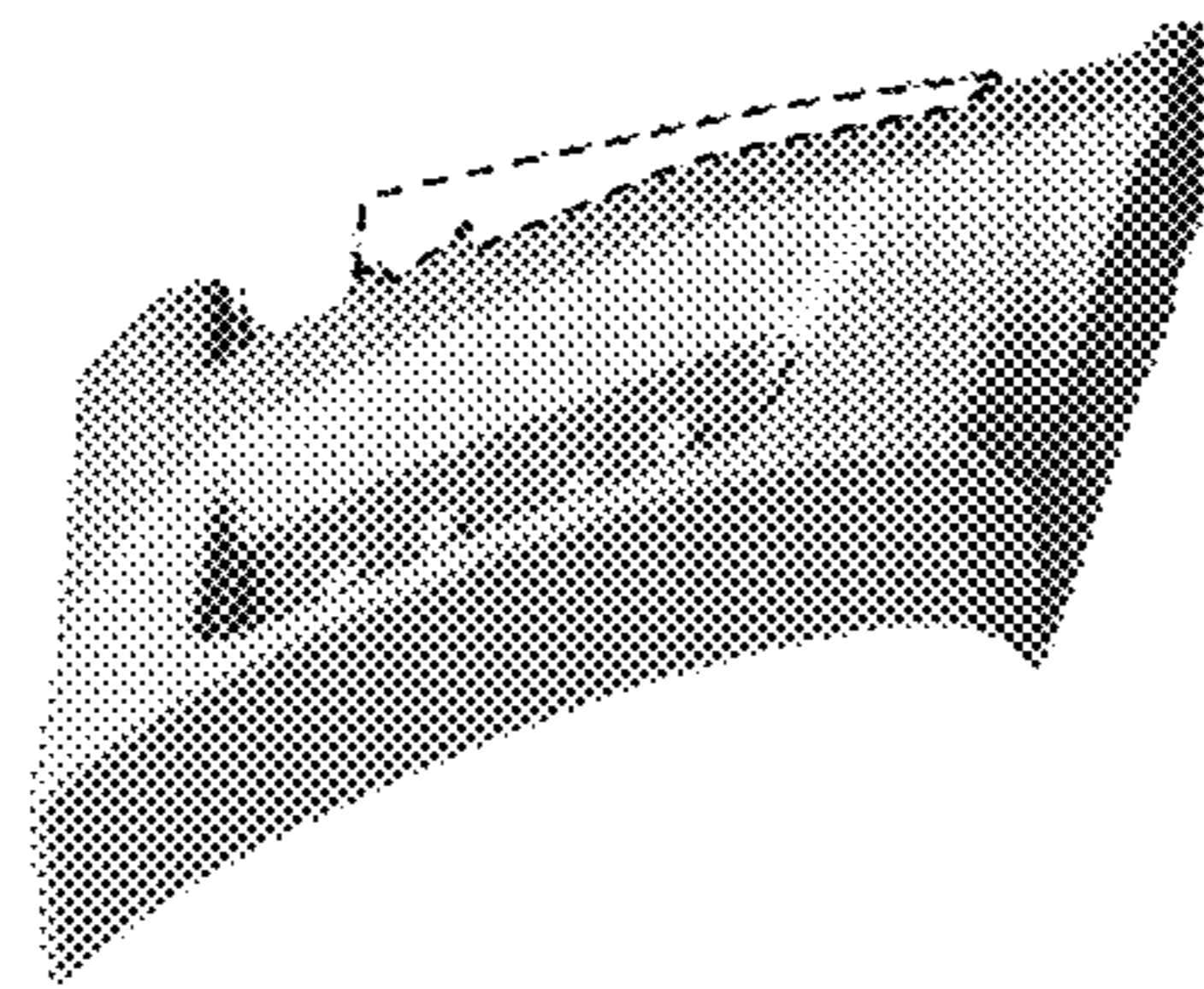


FIG. 4

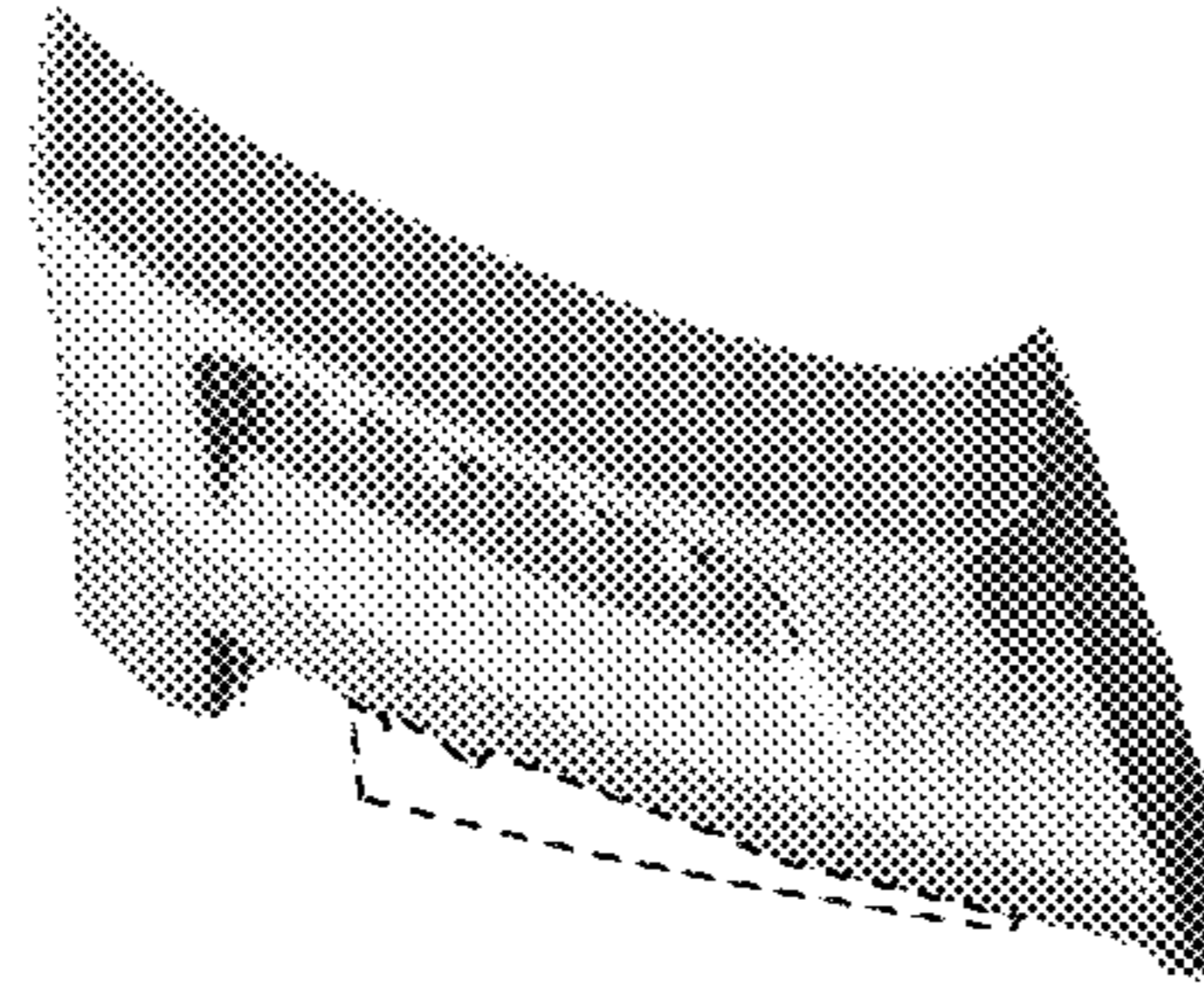


FIG. 5

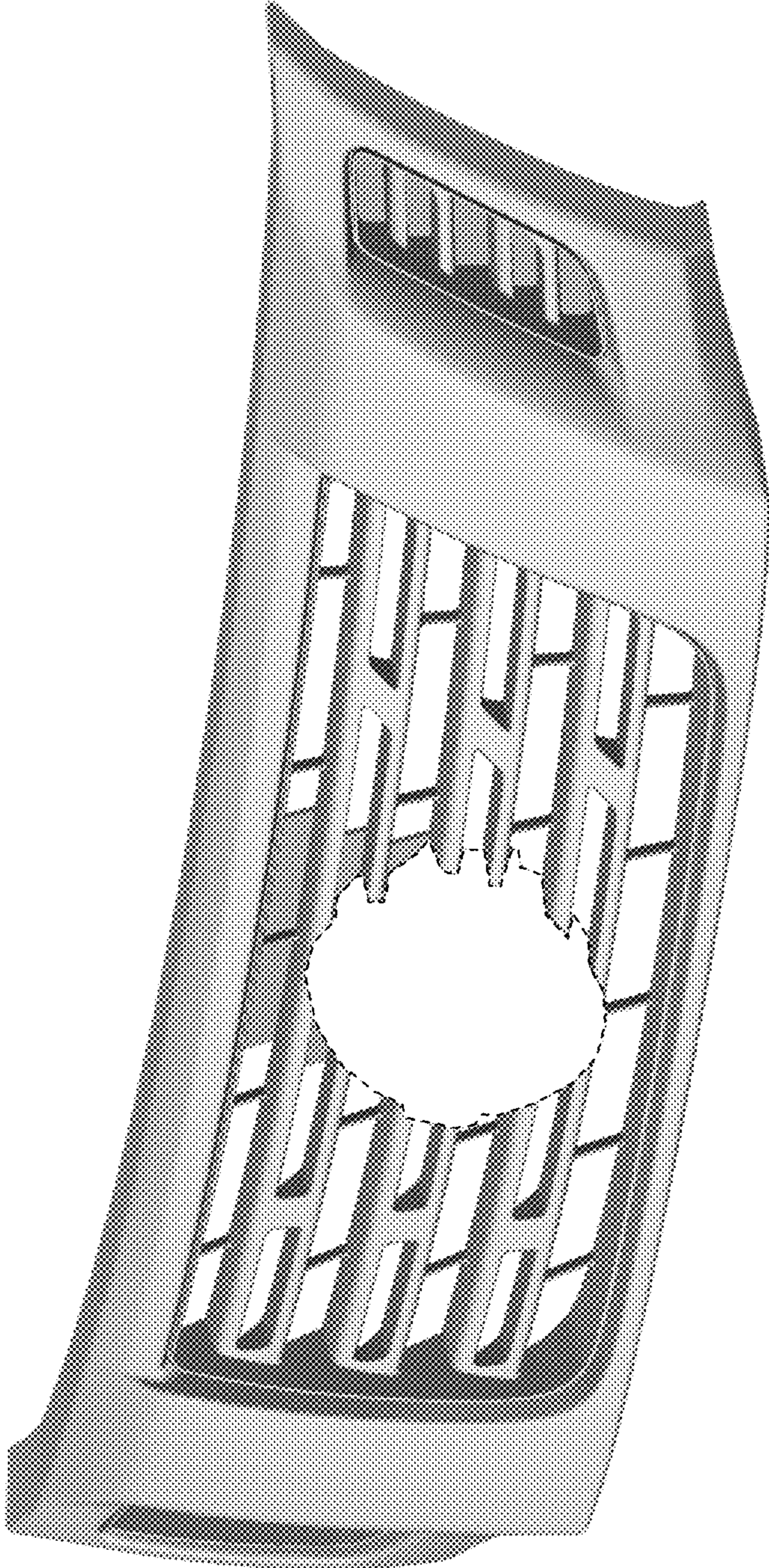


FIG. 6

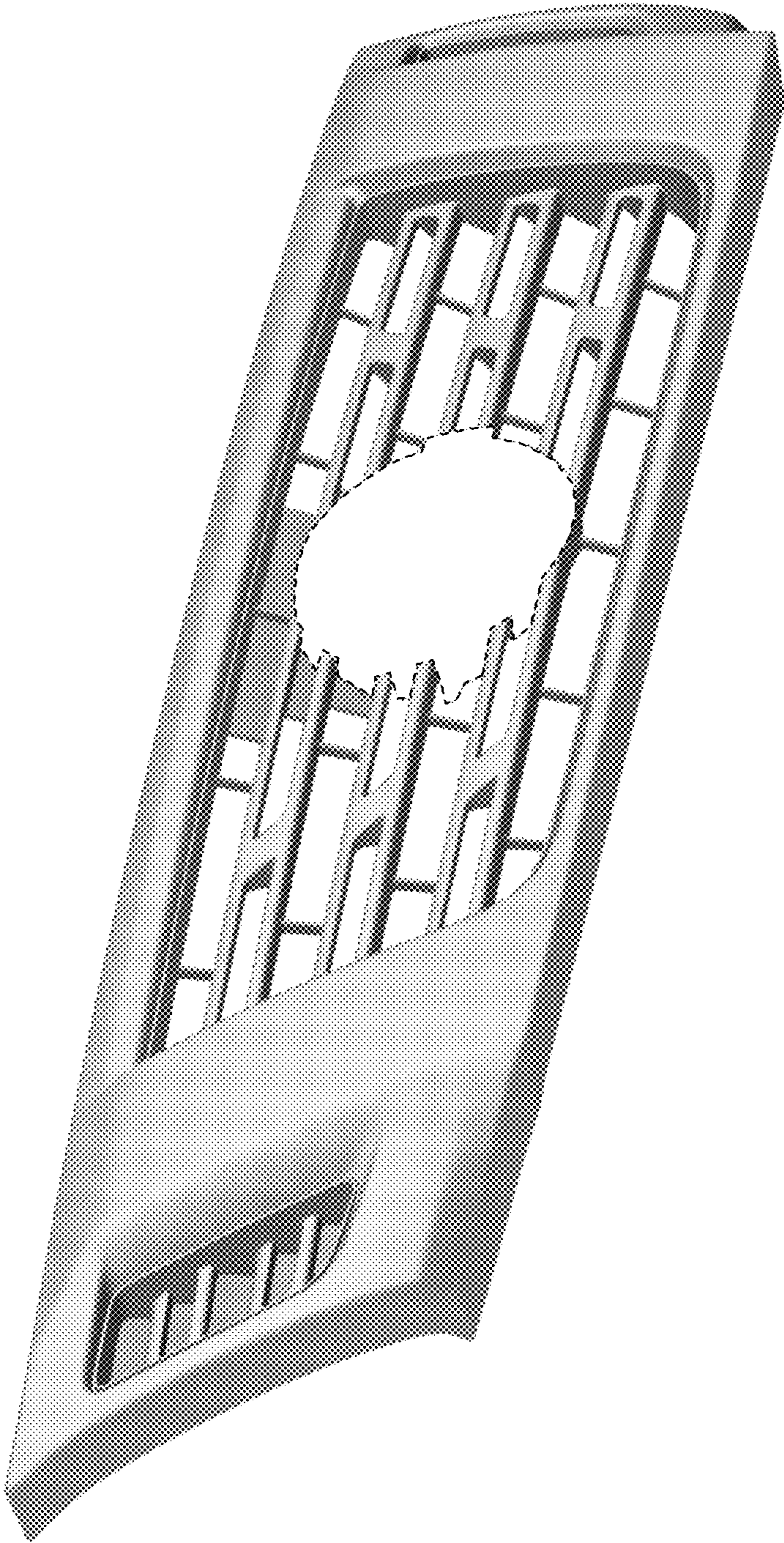


FIG. 7