



US00D755089S

(12) **United States Design Patent**
Wolff et al.

(10) **Patent No.:** **US D755,089 S**
(45) **Date of Patent:** **** May 3, 2016**

(54) **MOTOR VEHICLE FRONT UPPER GRILLE**

(71) Applicant: **Ford Motor Company**, Dearborn, MI (US)

(72) Inventors: **Max Wolff**, Birmingham, MI (US);
Andrea Di Buduo, Birmingham, MI (US); **John Caswell**, Grosse Pointe, MI (US)

(73) Assignee: **Ford Motor Company**, Dearborn, MI (US)

(**) Term: **14 Years**

(21) Appl. No.: **29/511,813**

(22) Filed: **Dec. 15, 2014**

(51) **LOC (10) Cl.** **12-16**

(52) **U.S. Cl.**
USPC **D12/163**

(58) **Field of Classification Search**
USPC D12/86, 90, 91, 92, 163, 169, 196, 171,
D12/216; D15/31; 180/68.1, 68.6; 293/103,
293/115, 117, 120, 193.1, 193.11
CPC B60R 19/52; B60R 2019/525; B60K 11/085;
B65D 25/084; H01Q 1/32
See application file for complete search history.

(56) **References Cited**

U.S. PATENT DOCUMENTS

D545,729 S * 7/2007 Lee D12/163
D561,653 S * 2/2008 Platto D12/163
D562,193 S * 2/2008 Platto D12/163

D568,213 S * 5/2008 Platto D12/92
D578,938 S * 10/2008 Walter D12/163
D579,385 S * 10/2008 Schiavone D12/163
D596,089 S * 7/2009 Platto D12/163
D605,989 S * 12/2009 Leng D12/163
7,887,125 B2 * 2/2011 Tazaki B60R 19/52
296/187.09
D681,515 S * 5/2013 Platto D12/163
D685,694 S * 7/2013 Platto D12/163
D691,930 S * 10/2013 Song D12/163
D703,110 S * 4/2014 Gueler D12/163
D725,555 S * 3/2015 Wolff D12/163
D740,185 S * 10/2015 Blanski D12/163

* cited by examiner

Primary Examiner — Philip S Hyder

Assistant Examiner — Darlington Ly

(74) *Attorney, Agent, or Firm* — Damian Porcari

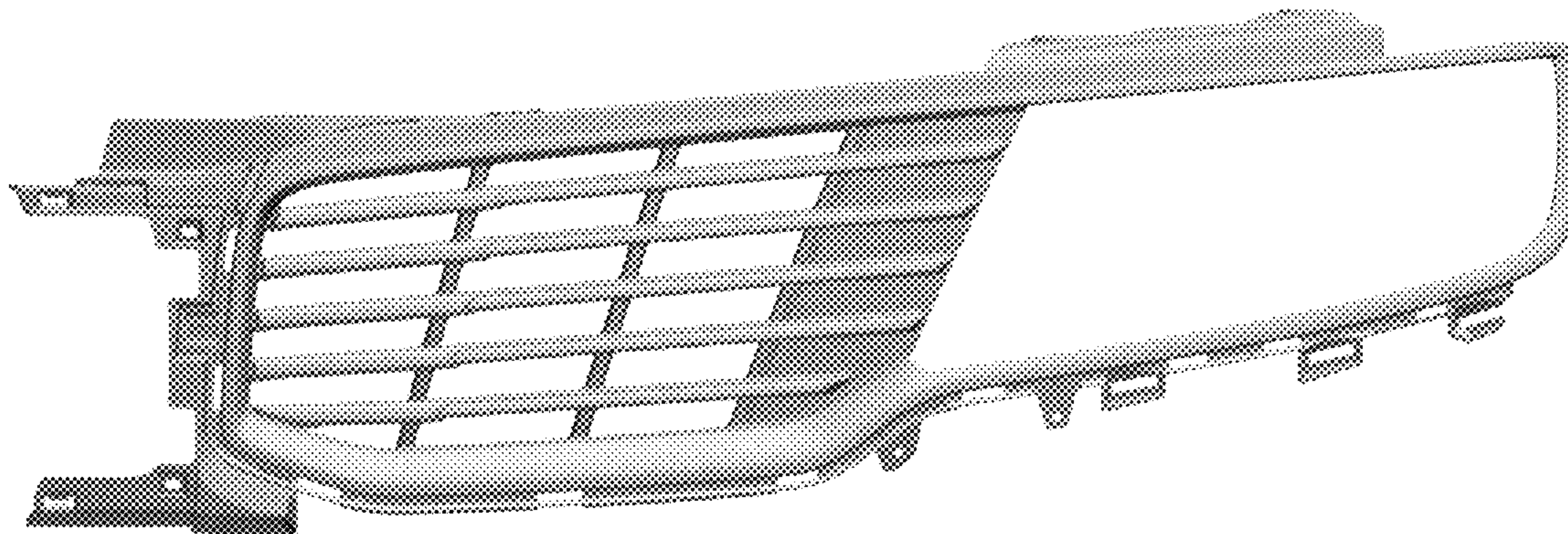
(57) **CLAIM**

The ornamental design for a motor vehicle front upper grille, as shown and described.

DESCRIPTION

FIG. 1 is a front and left side perspective view of the motor vehicle front upper grille showing our new design; FIG. 2 is a bottom front perspective view thereof; FIG. 3 is a top rear perspective view thereof; FIG. 4 is a front elevational view thereof; FIG. 5 is a rear elevational view thereof; FIG. 6 is a left side elevational view thereof; FIG. 7 is a right side elevational view thereof; FIG. 8 is a top plan view thereof; and, FIG. 9 is a bottom plan view thereof.

1 Claim, 9 Drawing Sheets



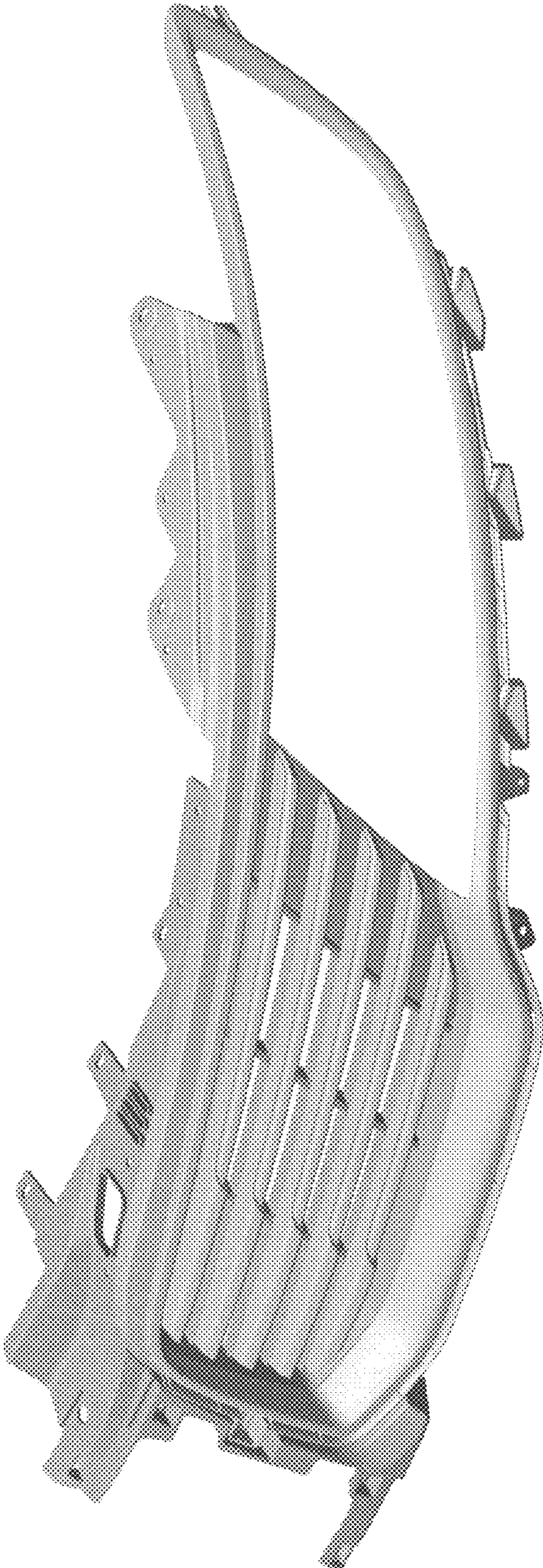


Figure 1

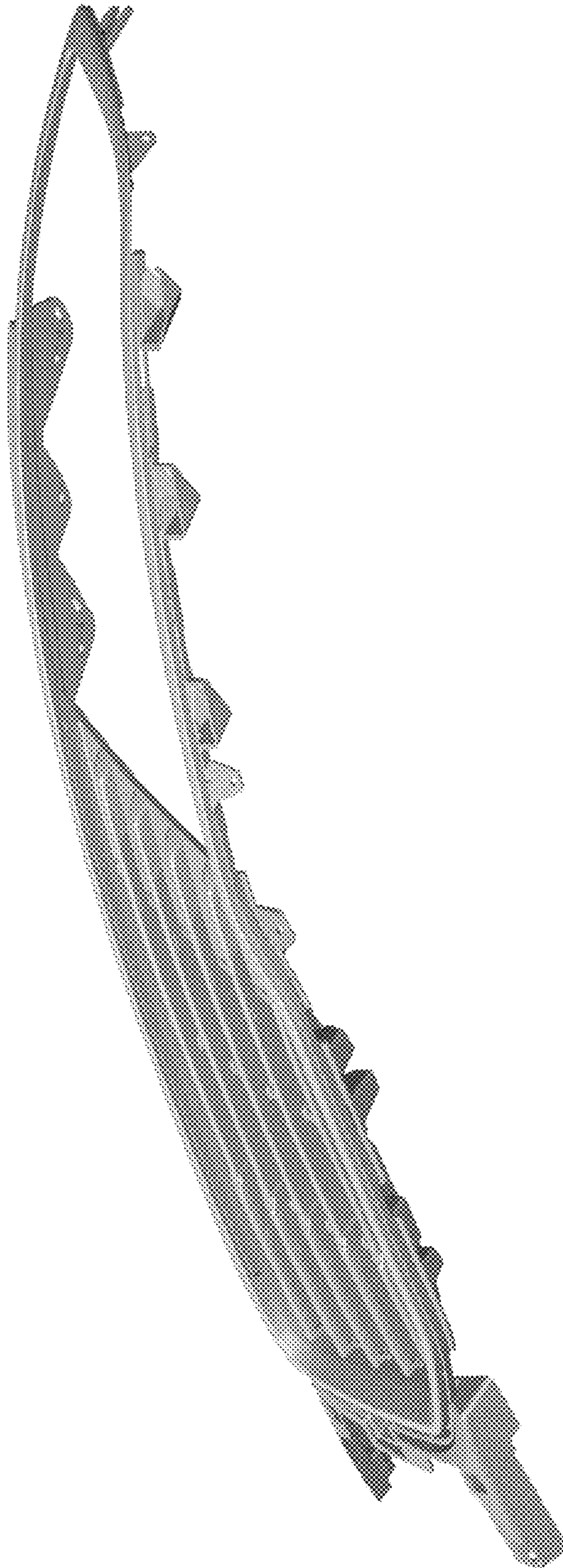


Figure 2

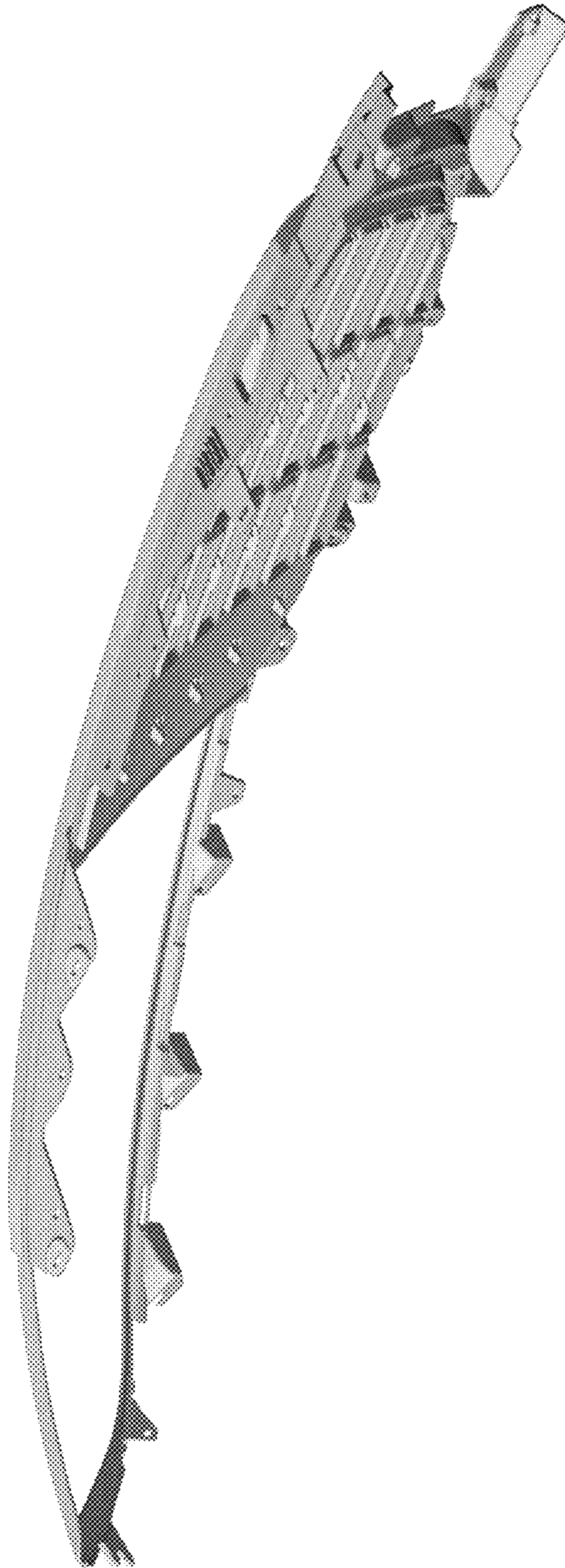


Figure 3

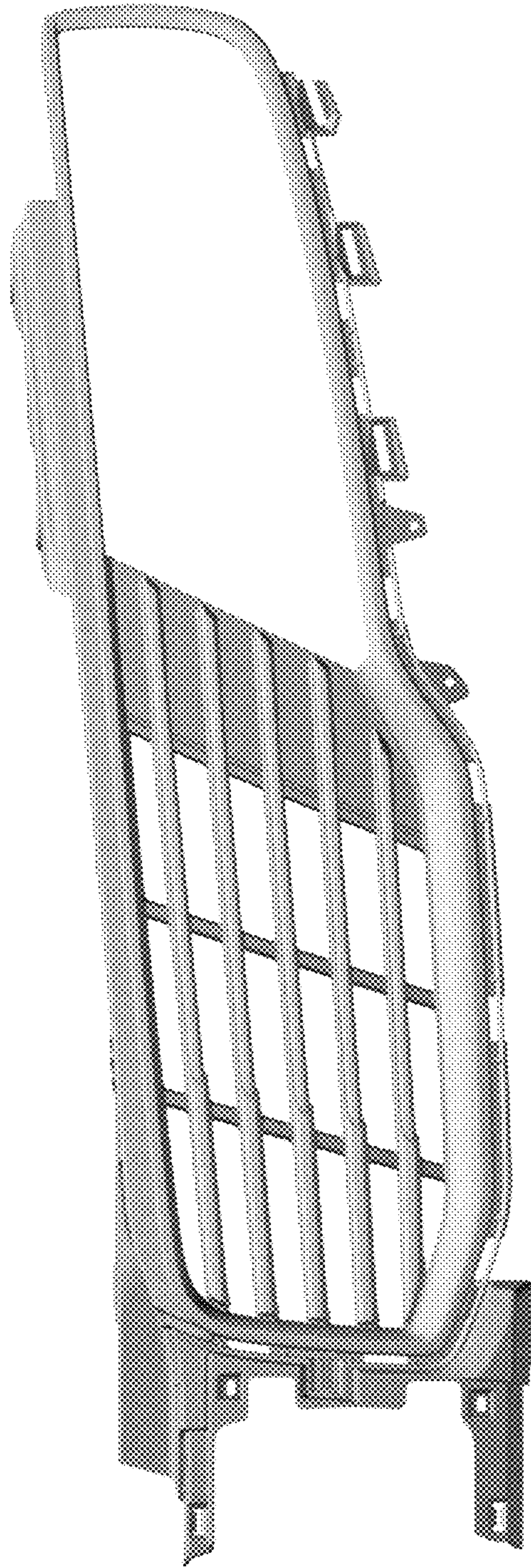


Figure 4

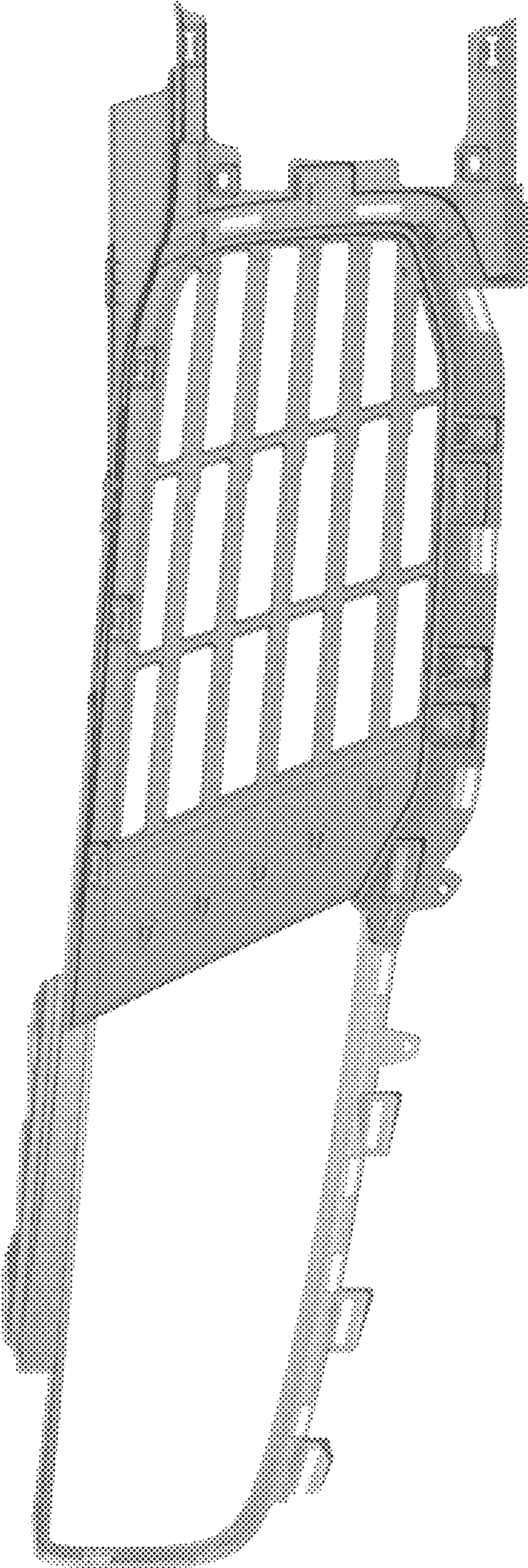


Figure 5

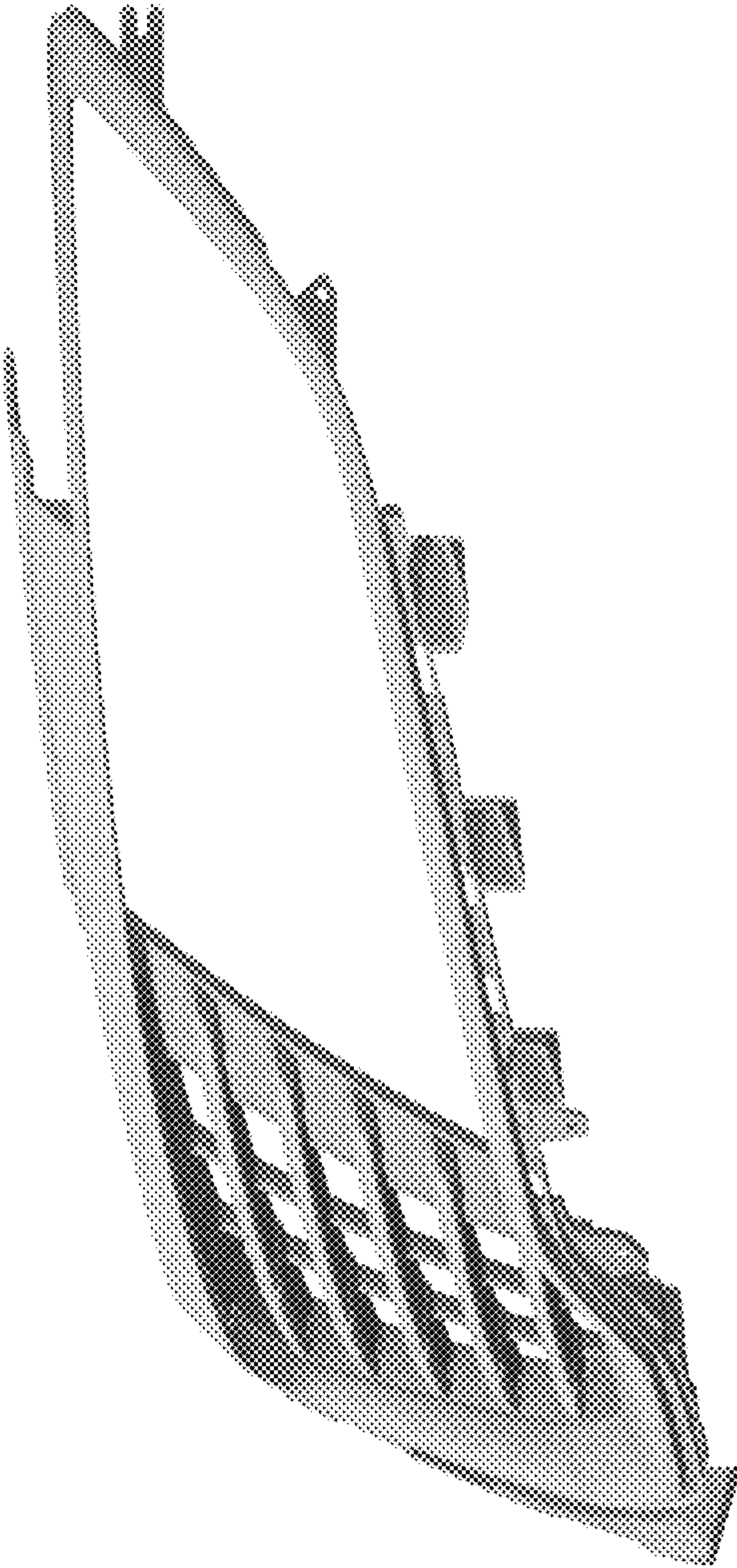


Figure 6

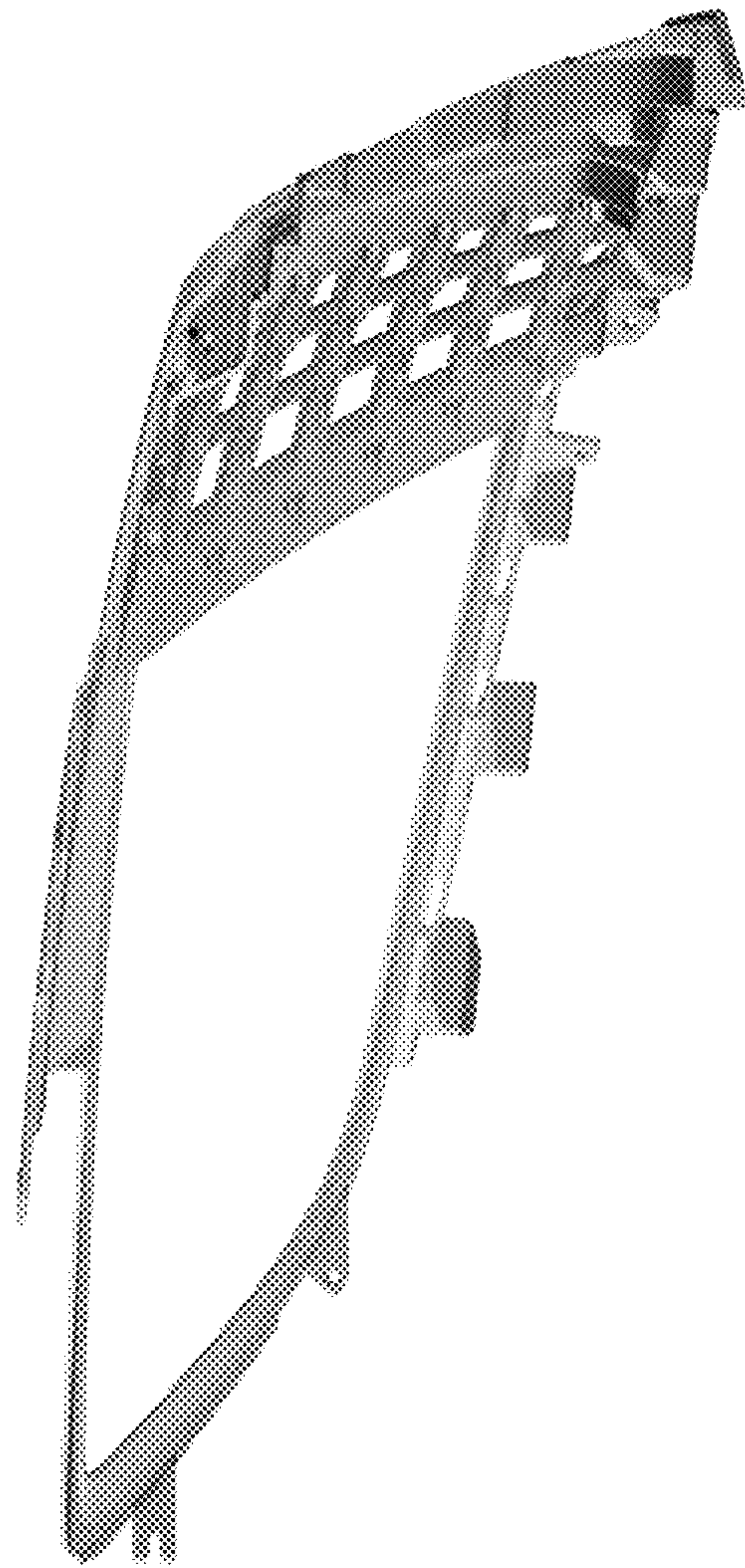


Figure 7

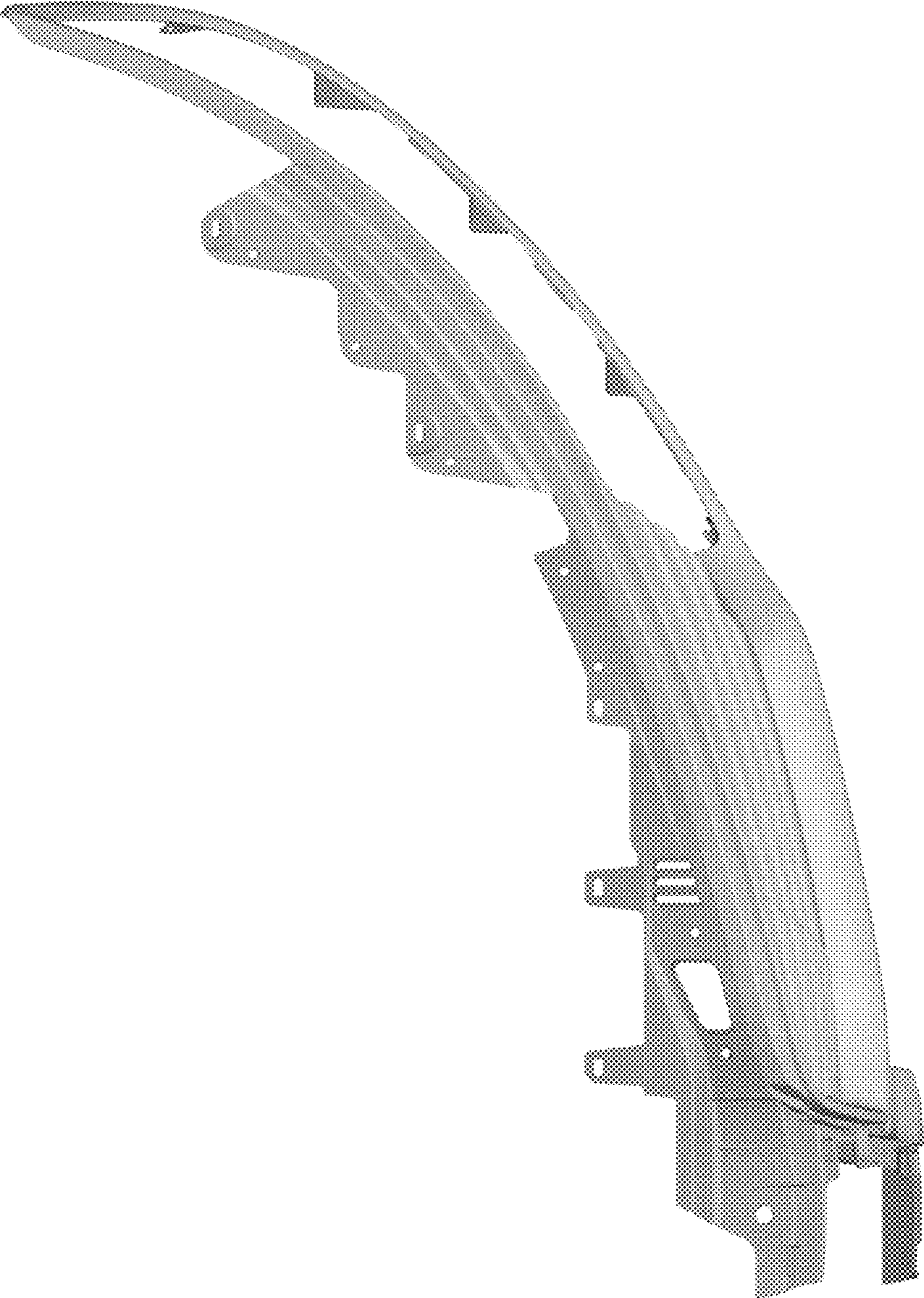


Figure 8

Figure 9

