



US00D755088S

(12) **United States Design Patent**
McMahan et al.

(10) **Patent No.:** **US D755,088 S**

(45) **Date of Patent:** **** May 3, 2016**

(54) **VEHICLE GRILLE**

(71) Applicant: **GM GLOBAL TECHNOLOGY OPERATIONS LLC**, Detroit, MI (US)

(72) Inventors: **Robert B. McMahan**, Bloomfield Hills, MI (US); **Brendon C. Mackay**, Shelby Township, MI (US); **Tyler L. H. Moffett**, Detroit, MI (US)

(73) Assignee: **GM Global Technology Operations LLC**, Detroit, MI (US)

(**) Term: **14 Years**

(21) Appl. No.: **29/506,071**

(22) Filed: **Oct. 13, 2014**

(51) **LOC (10) Cl.** **12-16**

(52) **U.S. Cl.**
USPC **D12/163**

(58) **Field of Classification Search**
USPC D12/163, 196, 86, 90-92, 171, 169,
D12/216; 180/68.1, 68.6; 293/193.11
CPC B62D 25/08; B62B 9/16; B60K 11/08;
B60R 19/52
See application file for complete search history.

(56) **References Cited**

U.S. PATENT DOCUMENTS

D633,832 S * 3/2011 Matei D12/163
D637,532 S * 5/2011 Miyazawa D12/163
D651,142 S * 12/2011 Fushimi D12/163
D665,313 S * 8/2012 Asakura D12/163

D679,225 S * 4/2013 Gifford D12/163
D698,288 S * 1/2014 Riggs D12/163
D699,629 S * 2/2014 Ikeda D12/91
D712,316 S * 9/2014 O'Donnell D12/163
D716,696 S * 11/2014 Thole D12/91
D716,706 S * 11/2014 Thole D12/163

OTHER PUBLICATIONS

Design U.S. Appl. No. 29/466,635, filed Sep. 10, 2013; First Named Inventor: Louis D. Thole; Title: Vehicle Grille.

Design U.S. Appl. No. 29/473,976, filed Nov. 27, 2013; First Named Inventor: Alexandre Batista Da Silva Henriques; Title: Vehicle Grille Assembly.

Design U.S. Appl. No. 29/491,286, filed May 20, 2014; First Named Inventor: Robert B. McMahan; Title: Vehicle Body Exterior; 7 pages.

* cited by examiner

Primary Examiner — Melody N. Brown

(74) *Attorney, Agent, or Firm* — Reising Ethington P.C.

(57) **CLAIM**

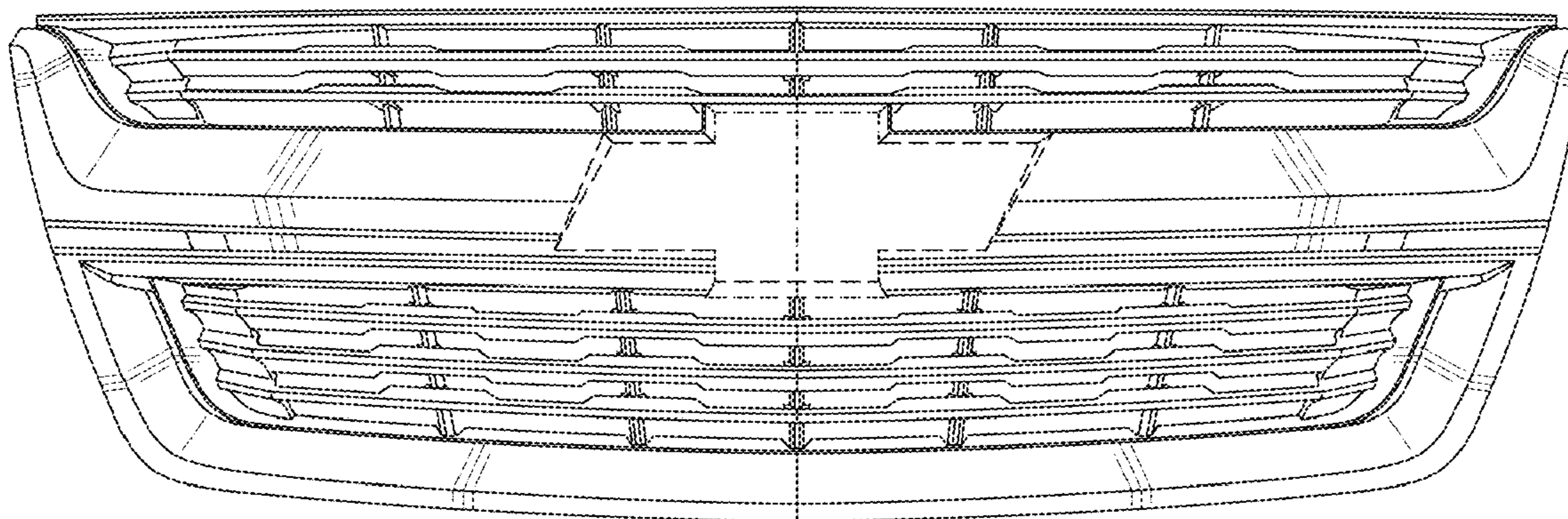
The ornamental design for a vehicle grille, as shown and described.

DESCRIPTION

FIG. 1 is a front perspective view of the vehicle grille; FIG. 2 is a left side elevation view thereof; FIG. 3 is a top plan view thereof; and, FIG. 4 is a front view thereof.

The right side elevation view of the vehicle grille is omitted because the right side elevation view is identical to the left side elevation view. Further, in the drawings, the portions shown by broken lines form no part of the claim.

1 Claim, 1 Drawing Sheet



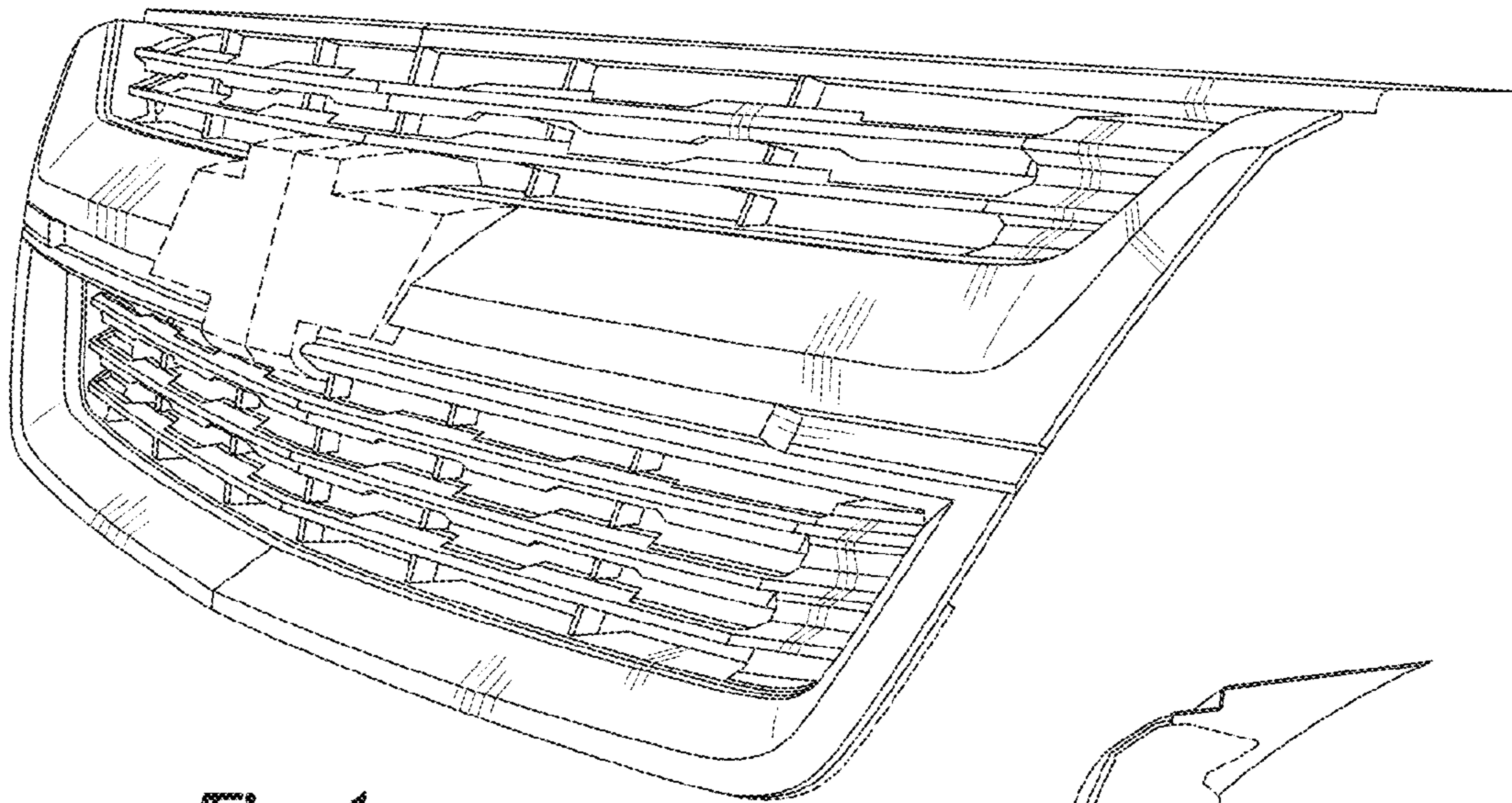


Fig-1

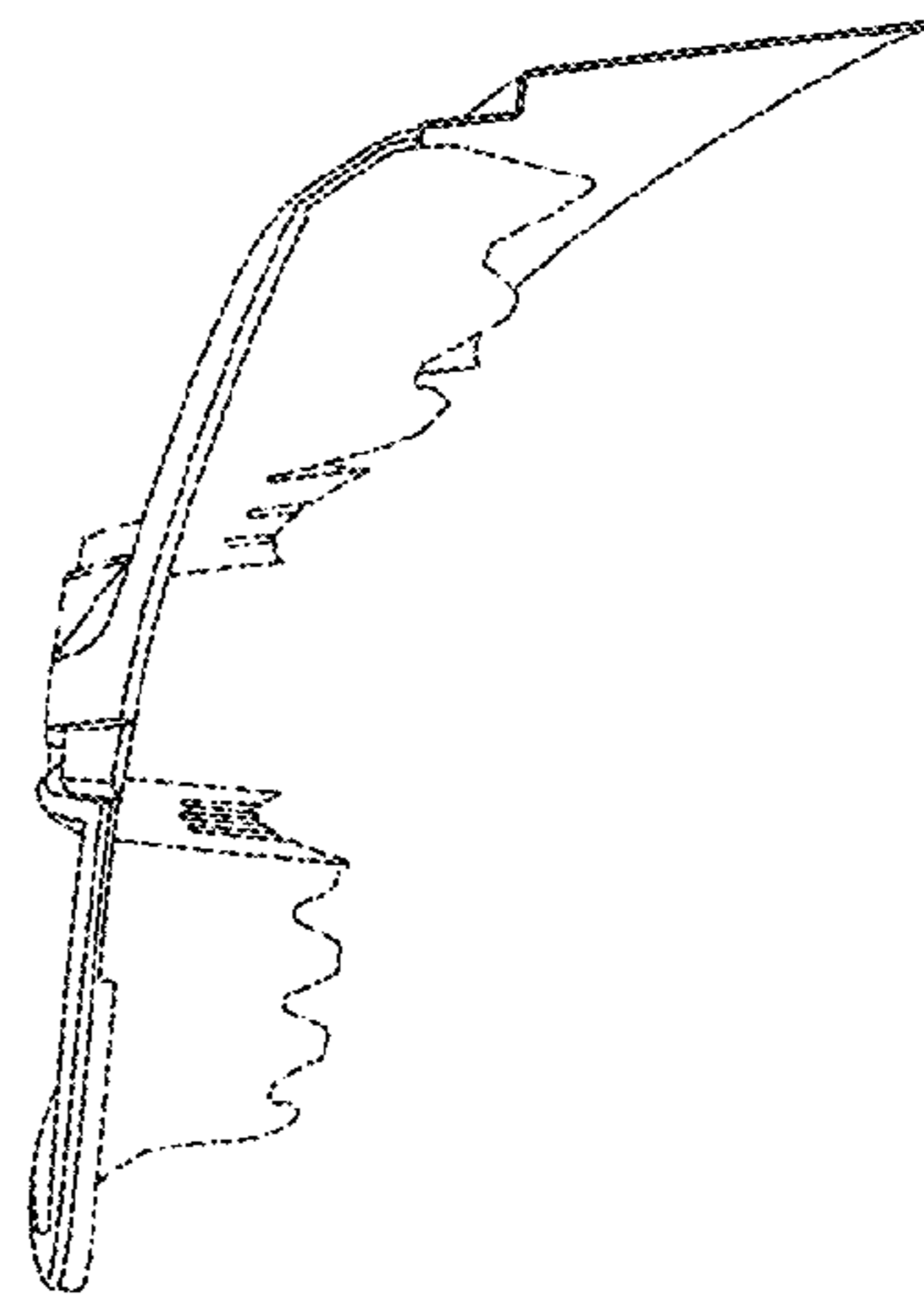


Fig-2

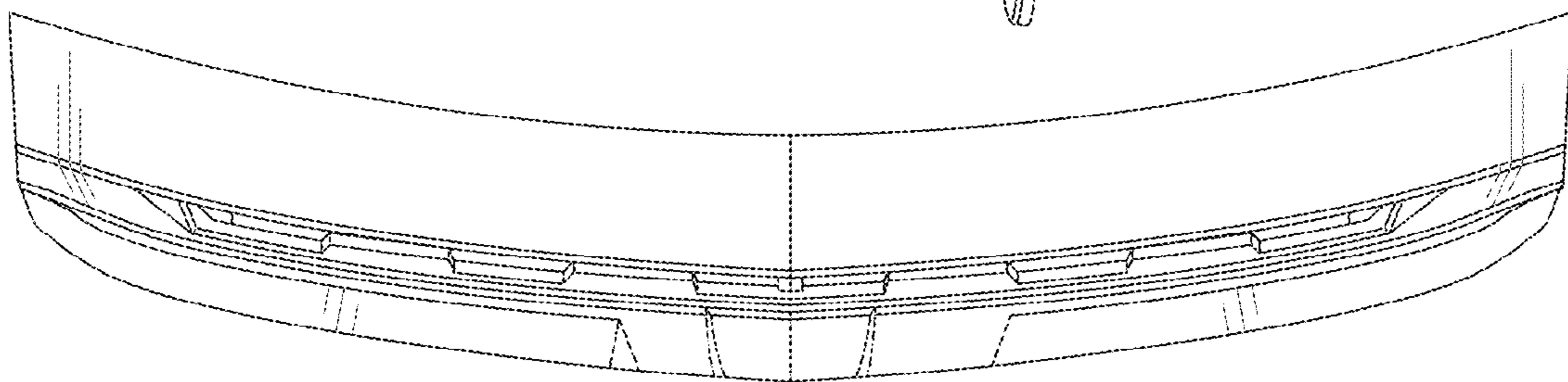


Fig-3

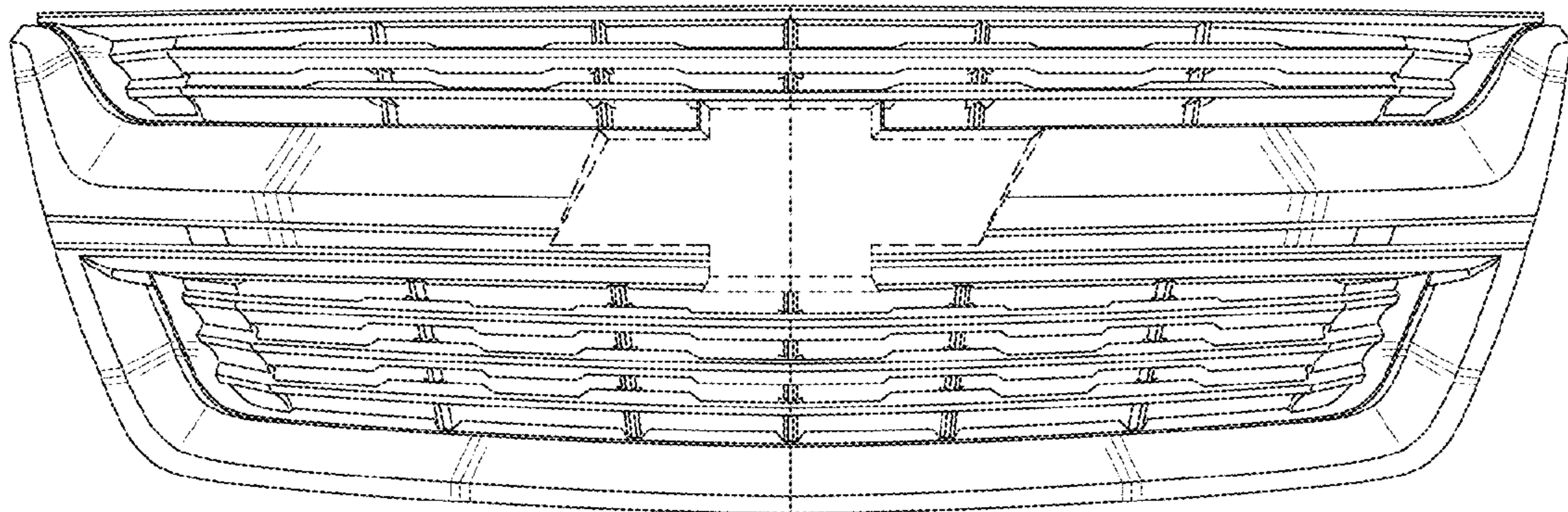


Fig-4