



US00D755085S

(12) **United States Design Patent**
Horne

(10) **Patent No.:** **US D755,085 S**
(45) **Date of Patent:** **** May 3, 2016**

(54) **FRAME JOINING ELEMENT**

(71) Applicant: **Rimack Holdings, Ltd.**, Hong Kong
(CN)

(72) Inventor: **Michael Ronald Horne**, Hong Kong
(CN)

(73) Assignee: **Rimack Holdings, LTD.**, Hong Kong
(CN)

(**) Term: **14 Years**

(21) Appl. No.: **29/495,899**

(22) Filed: **Jul. 7, 2014**

(30) **Foreign Application Priority Data**

Jan. 24, 2014 (AU) 201410352

(51) **LOC (10) Cl.** **12-11**

(52) **U.S. Cl.**
USPC **D12/117; D21/423**

(58) **Field of Classification Search**
USPC D12/1, 8, 117; D21/419, 421, 423, 426,
D21/760, 765, 769, 771, 803; 280/14.21,
280/14.25, 14.26, 87.041, 87.042, 87.05,
280/263, 288.1, 288.2, 288.4, 200, 214,
280/809; 180/181; D8/354; D15/143;
D16/132

CPC B62K 3/02; B62K 15/00; B62K 19/02;
B62K 19/18; B62M 1/28

See application file for complete search history.

(56) **References Cited**

U.S. PATENT DOCUMENTS

D437,363	S	*	2/2001	Chen	D21/423
D444,511	S	*	7/2001	Shih	D21/423
D459,762	S	*	7/2002	Chen	D21/423
D495,760	S	*	9/2004	Chen	D21/423
D538,356	S	*	3/2007	Chen	D21/423
D641,801	S	*	7/2011	Wilson	D21/423
D687,499	S	*	8/2013	Horne	D21/423
2004/0037628	A1	*	2/2004	Meggiolan	B62M 3/00 403/258
2014/0061267	A1	*	3/2014	Turner	B62J 9/003 224/413
2014/0306422	A1	*	10/2014	Scolari	B62K 19/18 280/259
2015/0175184	A1	*	6/2015	Yadan	B62K 5/05 280/35

* cited by examiner

Primary Examiner — Philip S Hyder

Assistant Examiner — Darlington Ly

(74) *Attorney, Agent, or Firm* — Troutman Sanders LLP;
Ryan A. Schneider; Daniel T. Sharpe

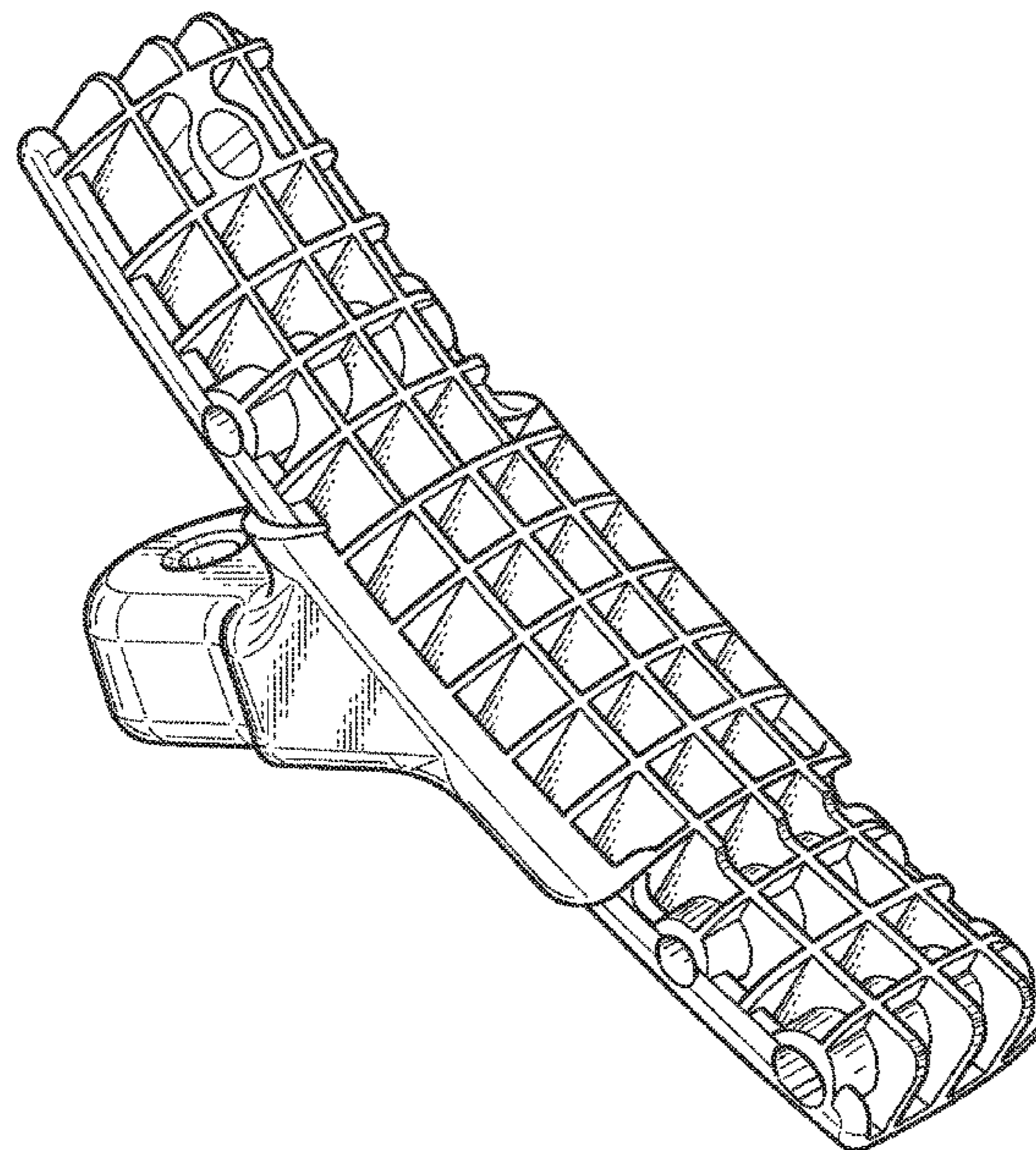
(57) **CLAIM**

The ornamental design for a frame joining element, as shown and described.

DESCRIPTION

FIG. 1 is a front and left-side, perspective view of a frame joining element showing the design;
FIG. 2 is a front elevation view thereof;
FIG. 3 is a left-side elevation view thereof;
FIG. 4 is a rear elevation view thereof; and,
FIG. 5 is a top plan view thereof.

1 Claim, 5 Drawing Sheets



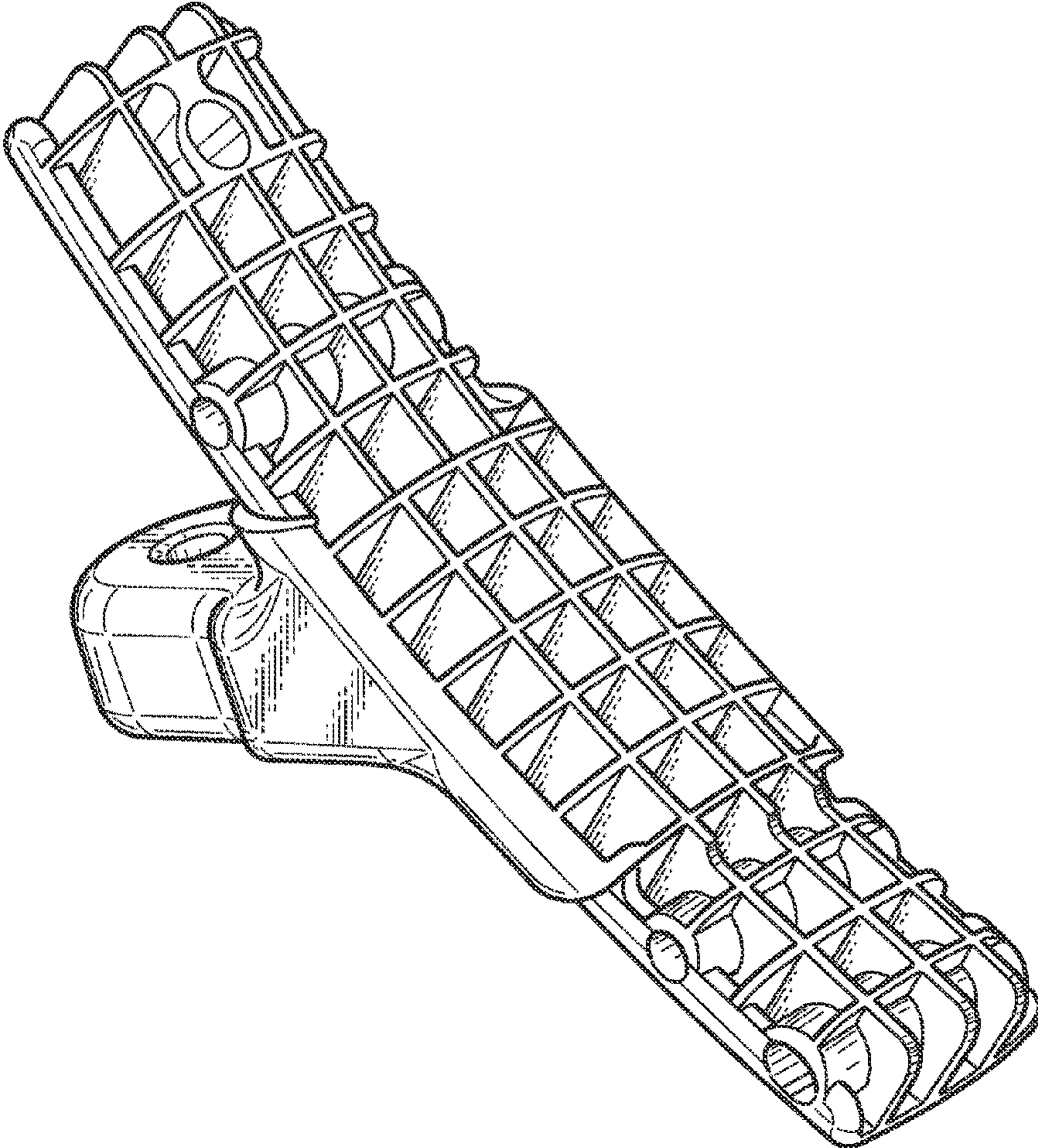


FIG. 1

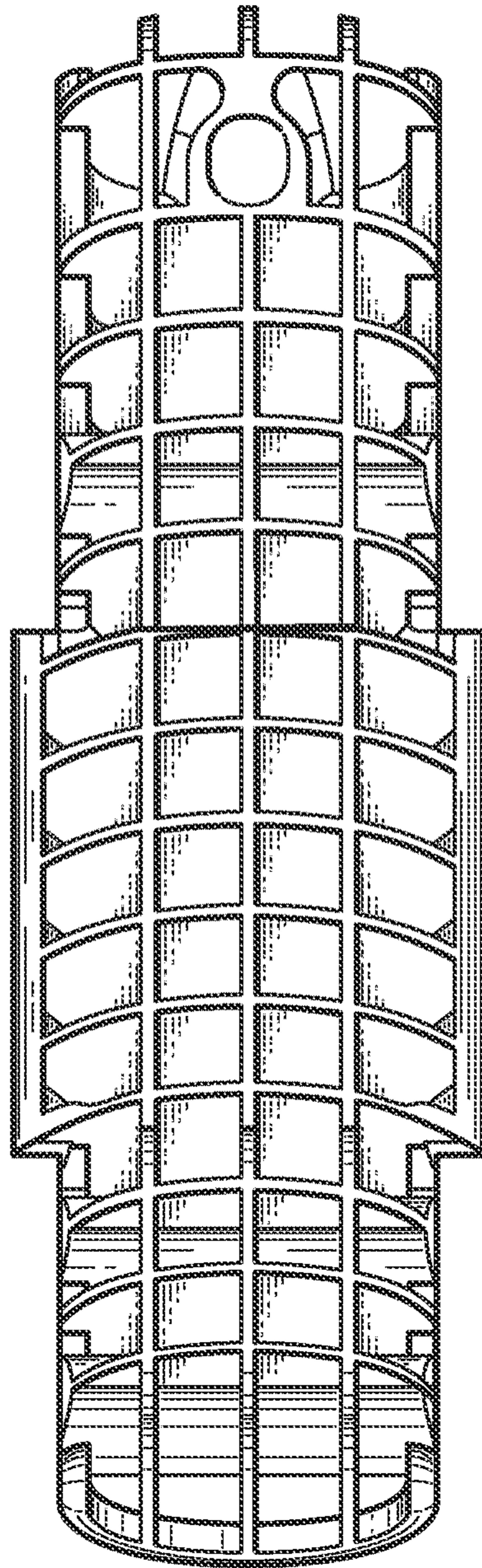


FIG. 2

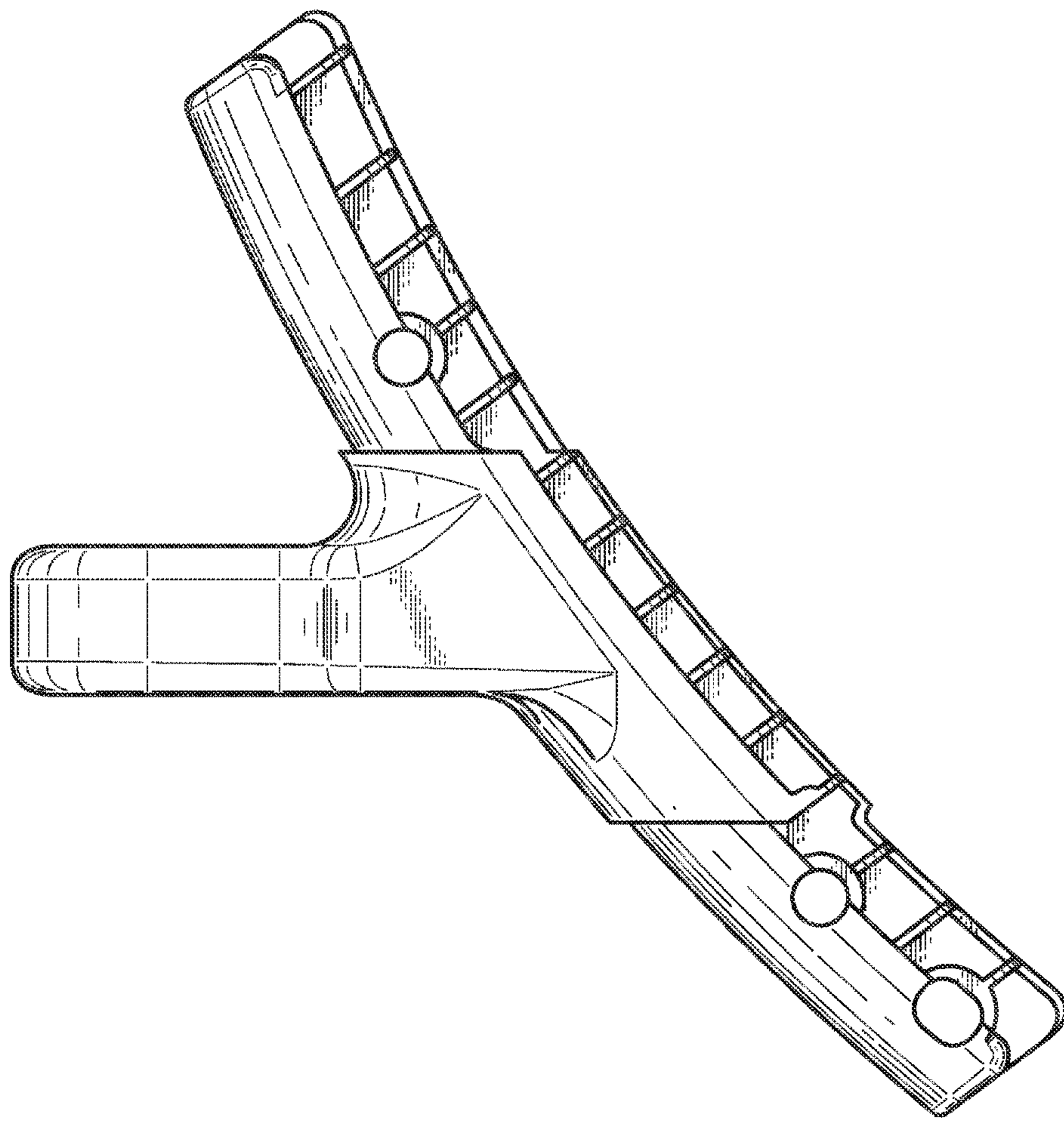


FIG. 3

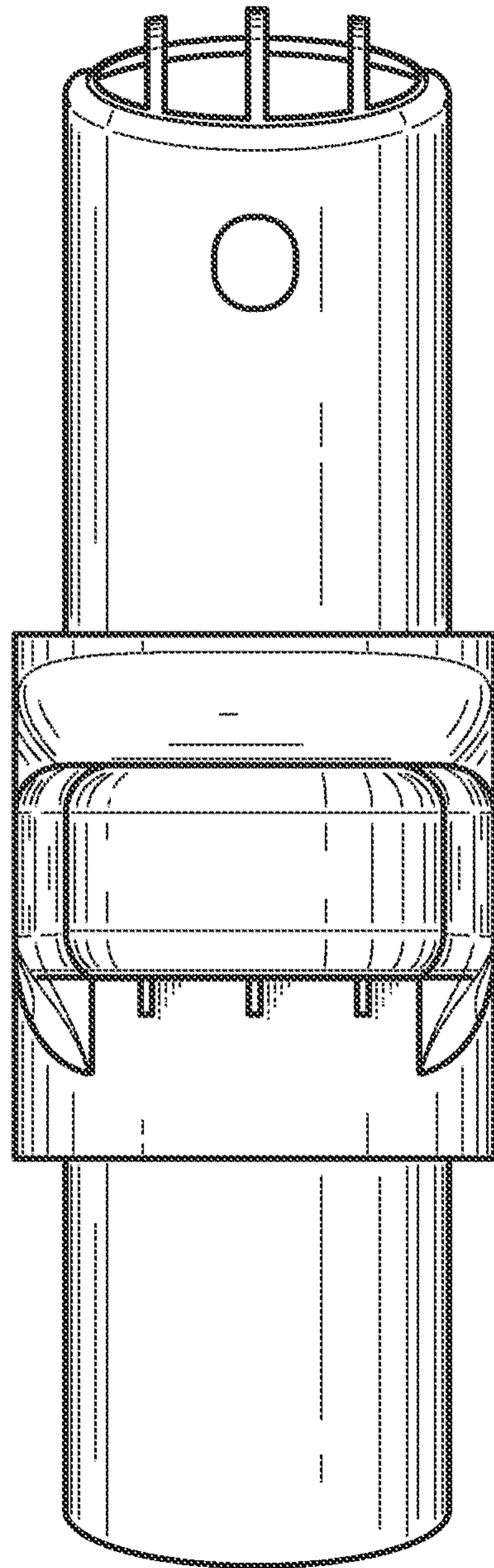


FIG. 4

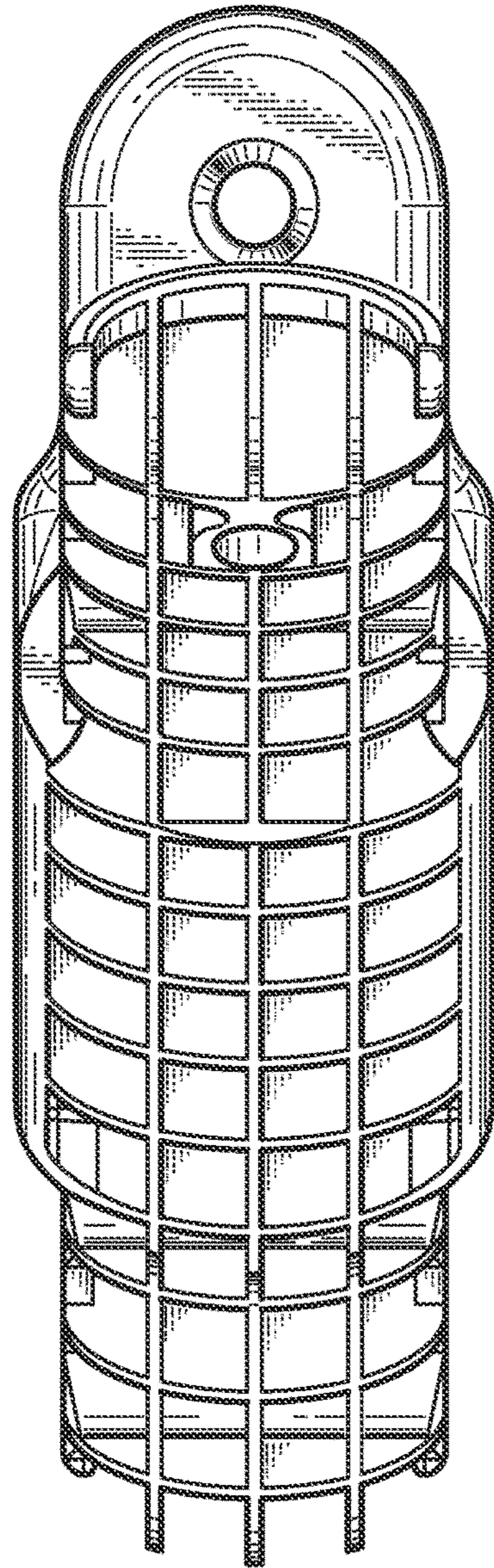


FIG. 5