



US00D755083S

(12) **United States Design Patent**
Gillam et al.

(10) **Patent No.:** **US D755,083 S**
(45) **Date of Patent:** **** May 3, 2016**

(54) **AUTOMOBILE EXTERIOR**
(71) Applicants: **Michael C Gillam**, Addison Township, MI (US); **Gregory A Howell**, Farmington, MI (US); **Joseph S Dehner**, Bloomfield Hills, MI (US)
(72) Inventors: **Michael C Gillam**, Addison Township, MI (US); **Gregory A Howell**, Farmington, MI (US); **Joseph S Dehner**, Bloomfield Hills, MI (US)

D551,127 S	9/2007	Krugger et al.	
D564,946 S	3/2008	Krugger et al.	
D586,699 S *	2/2009	Opfer	D12/98
D588,501 S	3/2009	Krugger et al.	
D589,407 S	3/2009	Krugger et al.	
D659,053 S *	5/2012	Ware	D12/98
D703,586 S *	4/2014	Platto	D12/98
D723,428 S *	3/2015	Sperling	D12/98
D725,001 S *	3/2015	McMahan	D12/98
D732,435 S *	6/2015	Mackay	D12/98
D735,082 S *	7/2015	Sperling	D12/98
D742,790 S *	11/2015	Noguchi	D12/98
D748,014 S *	1/2016	Ino	D12/98
D748,015 S *	1/2016	Ino	D12/98

(73) Assignee: **FCA US LLC**, Auburn Hills, MI (US)

* cited by examiner

(**) Term: **14 Years**

Primary Examiner — Melody N. Brown

(21) Appl. No.: **29/513,961**

(74) *Attorney, Agent, or Firm* — Ralph E Smith

(22) Filed: **Jan. 7, 2015**

(51) **LOC (10) Cl.** **12-08**

(52) **U.S. Cl.**
USPC **D12/98**

(58) **Field of Classification Search**
USPC D12/86, 90-92, 88, 98; D21/424, 433, D21/434, 533; 296/181.1, 181.5, 181.3, 296/183.1, 37.6
CPC B60R 9/06; B62D 35/00
See application file for complete search history.

(57) **CLAIM**

The ornamental design for an automobile exterior, as shown and described.

DESCRIPTION

FIG. 1 is a front perspective view of an automobile exterior showing our new design;
FIG. 2 is a rear perspective view thereof;
FIG. 3 is a side view thereof;
FIG. 4 is an opposite side view thereof;
FIG. 5 is a front view thereof;
FIG. 6 is a rear view thereof; and,
FIG. 7 is a top plan view.

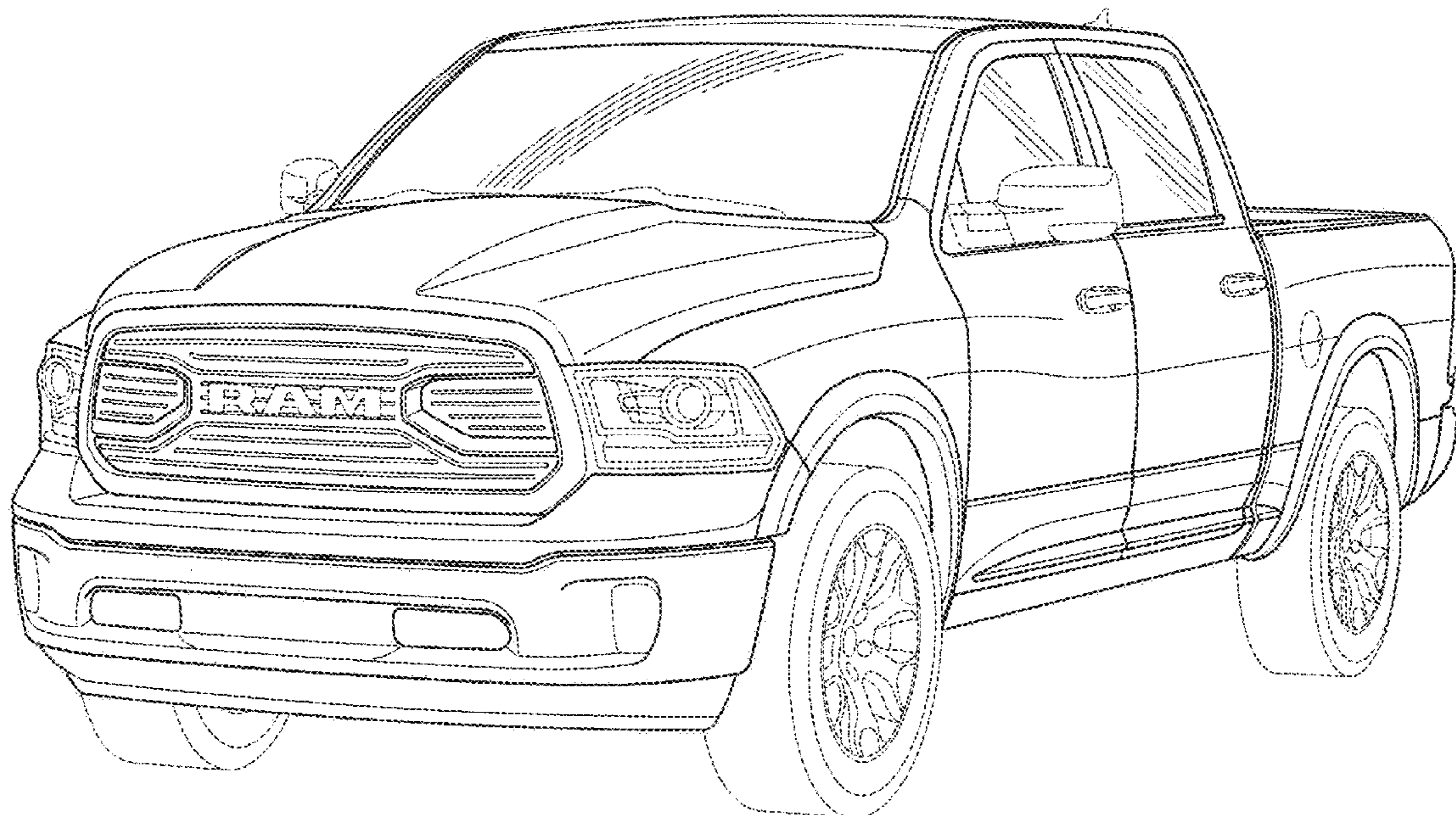
It will be understood that the broken lines shown in the drawings illustrate portions of the automobile exterior that form no part of claimed design.

(56) **References Cited**

U.S. PATENT DOCUMENTS

D352,485 S	11/1994	Creed et al.
D373,979 S	9/1996	Starr et al.
D455,372 S	4/2002	Myles et al.

1 Claim, 5 Drawing Sheets



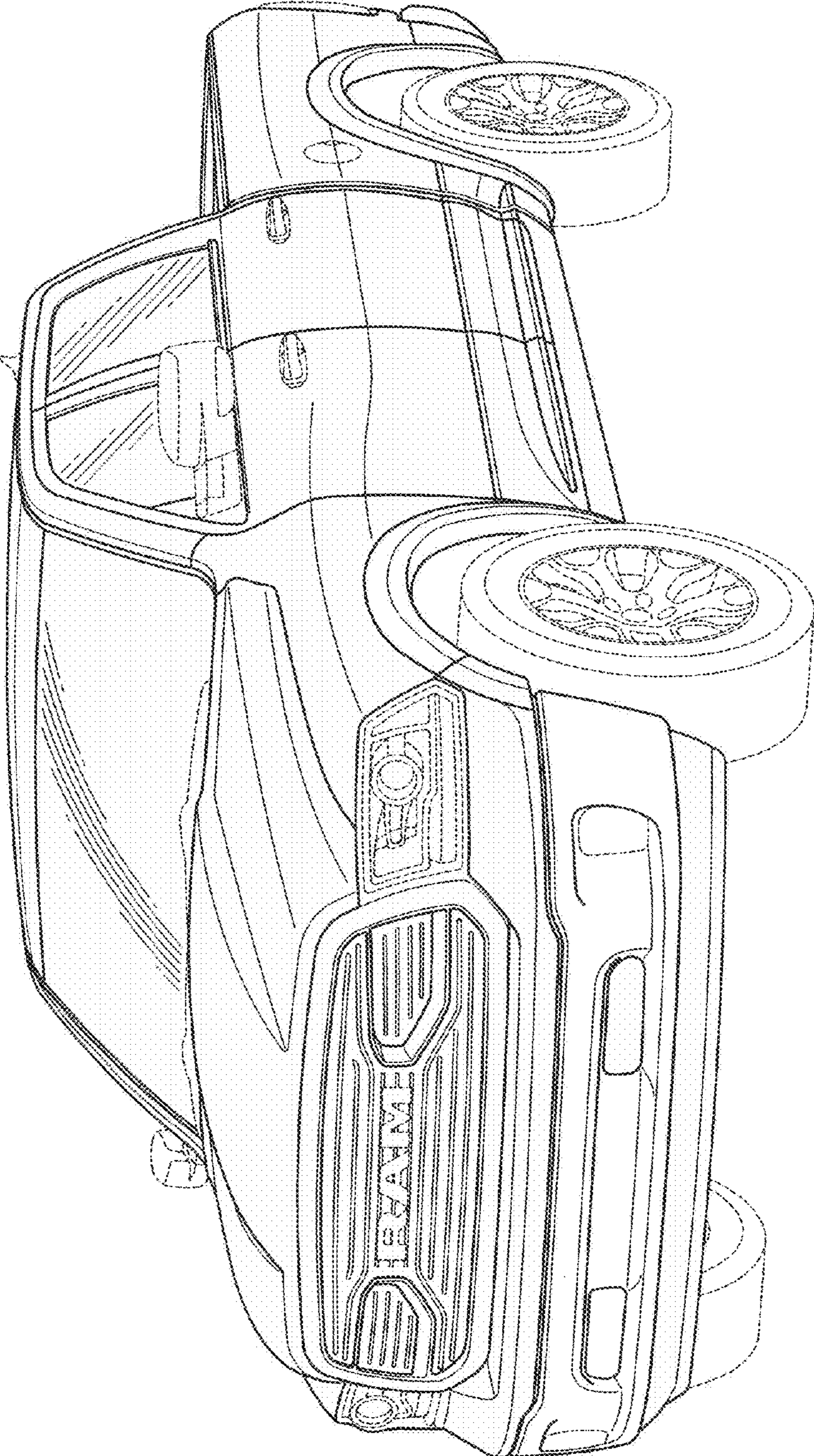


FIG. 1

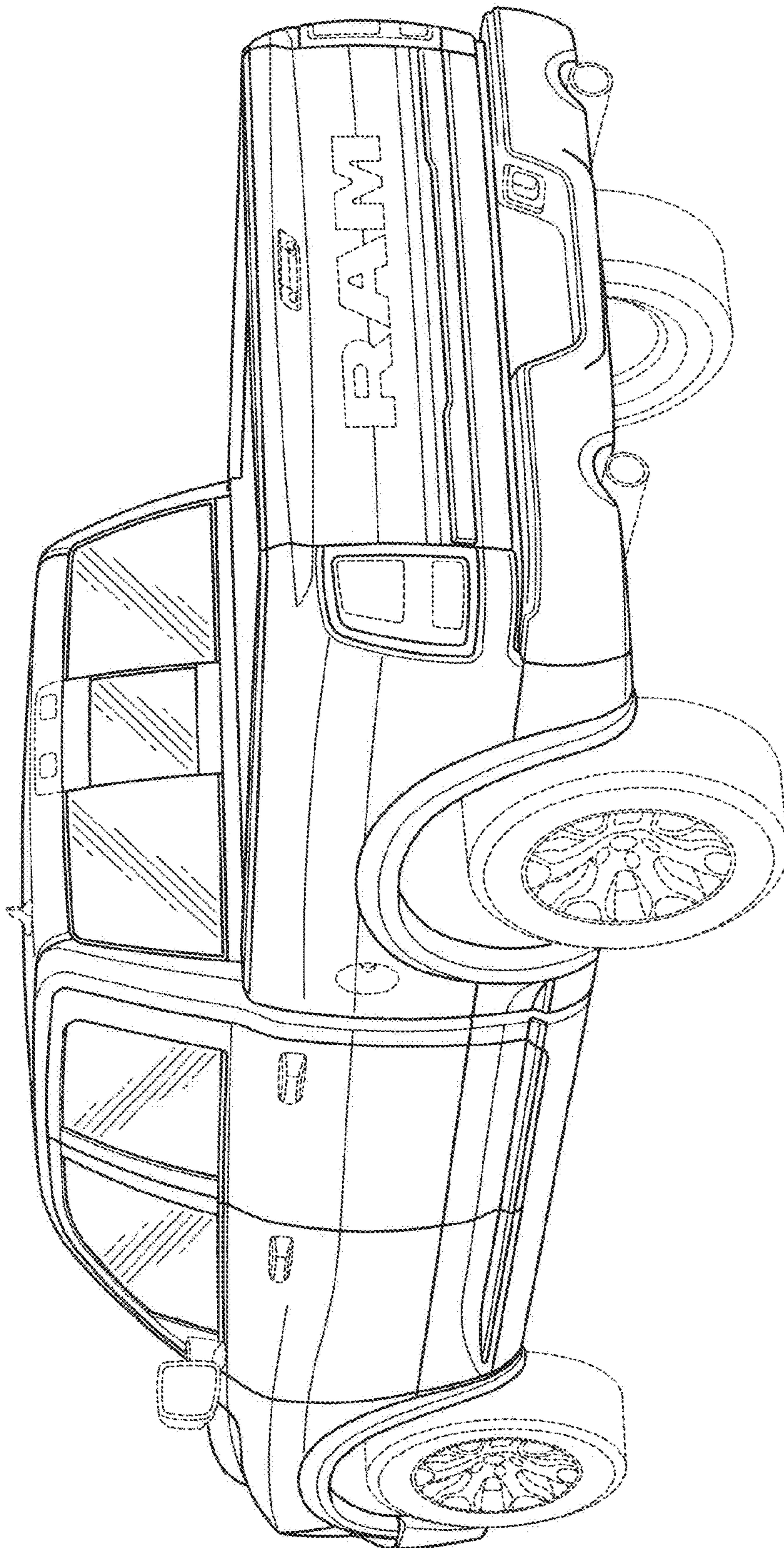


FIG. 2

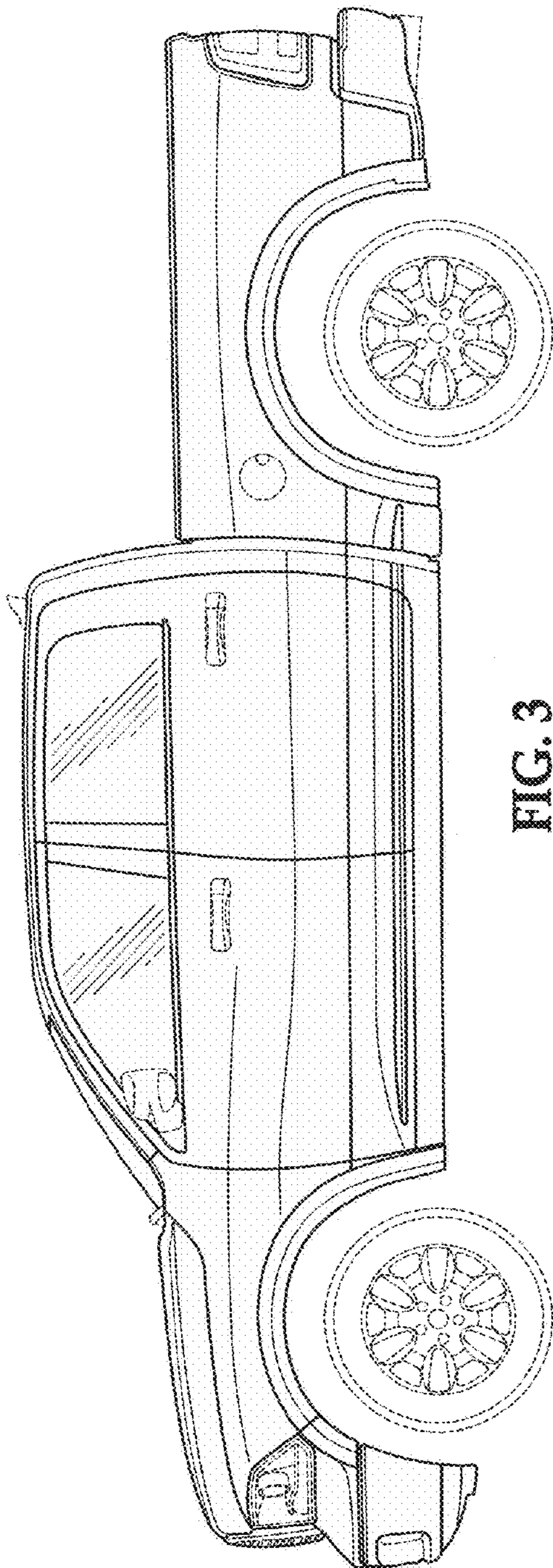


FIG. 3

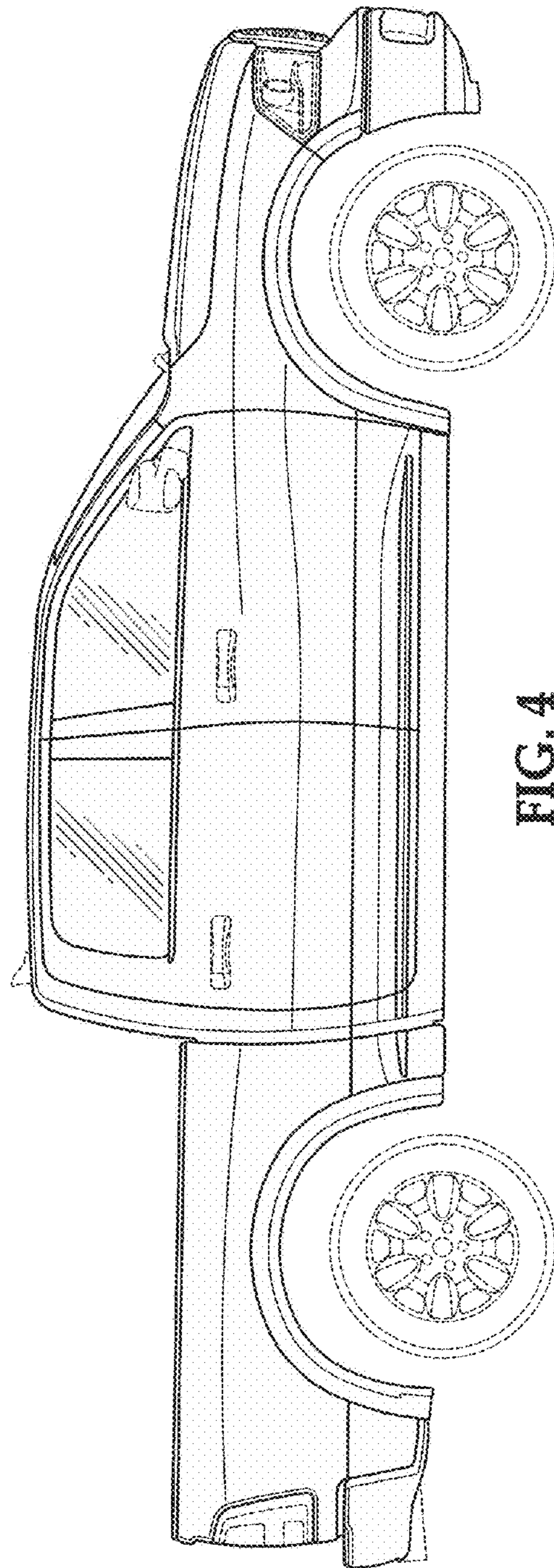


FIG. 4

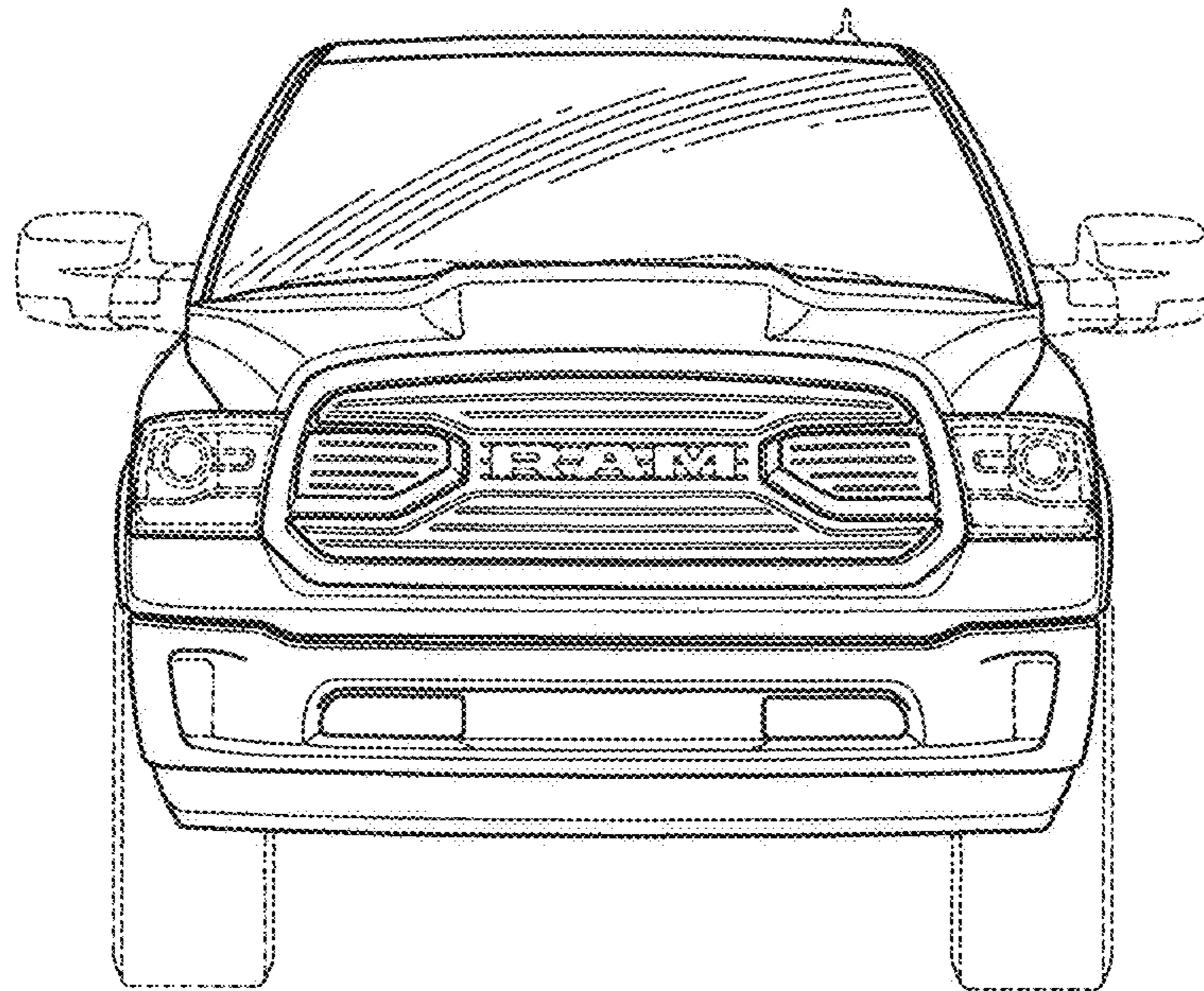


FIG. 5

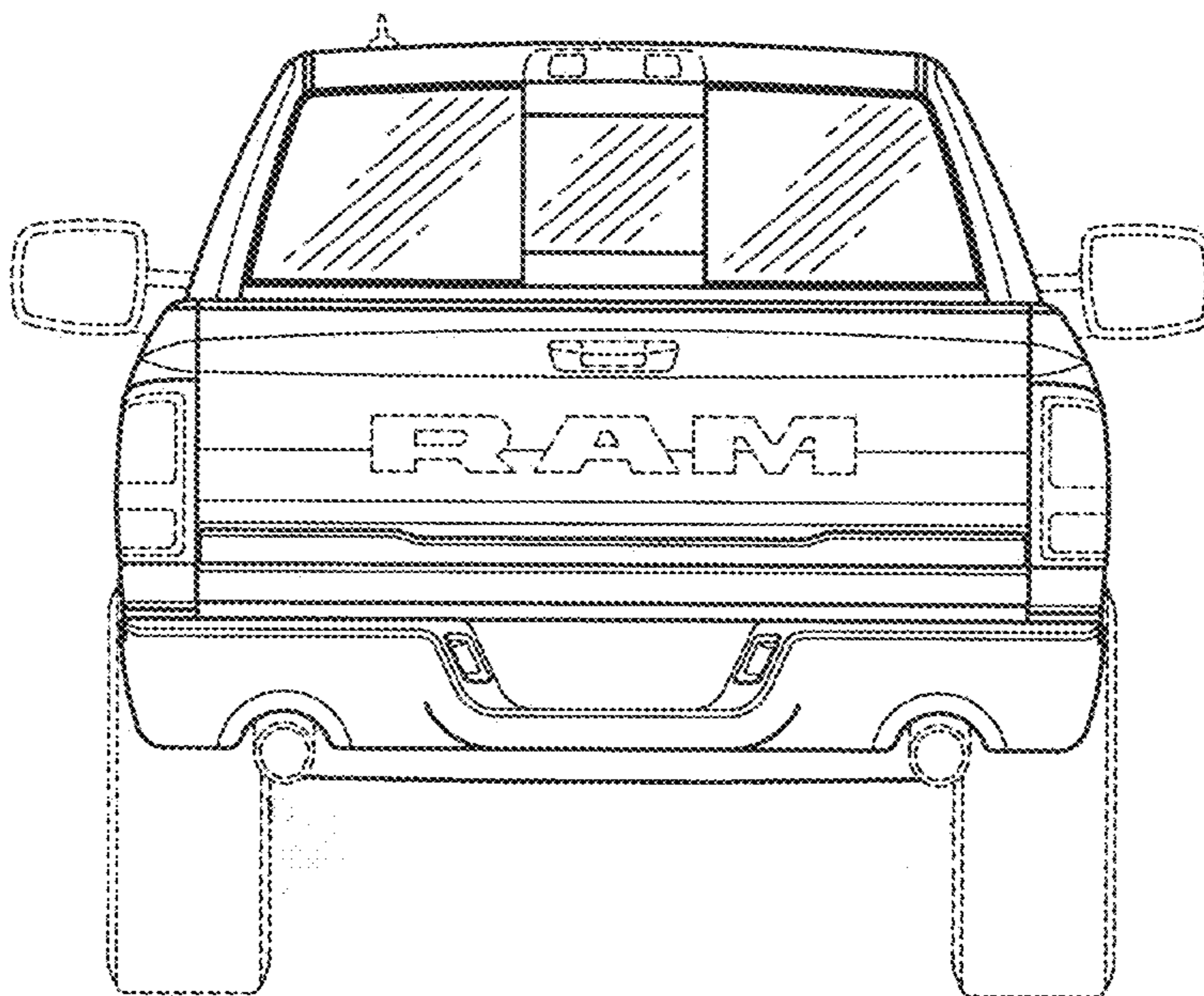


FIG. 6

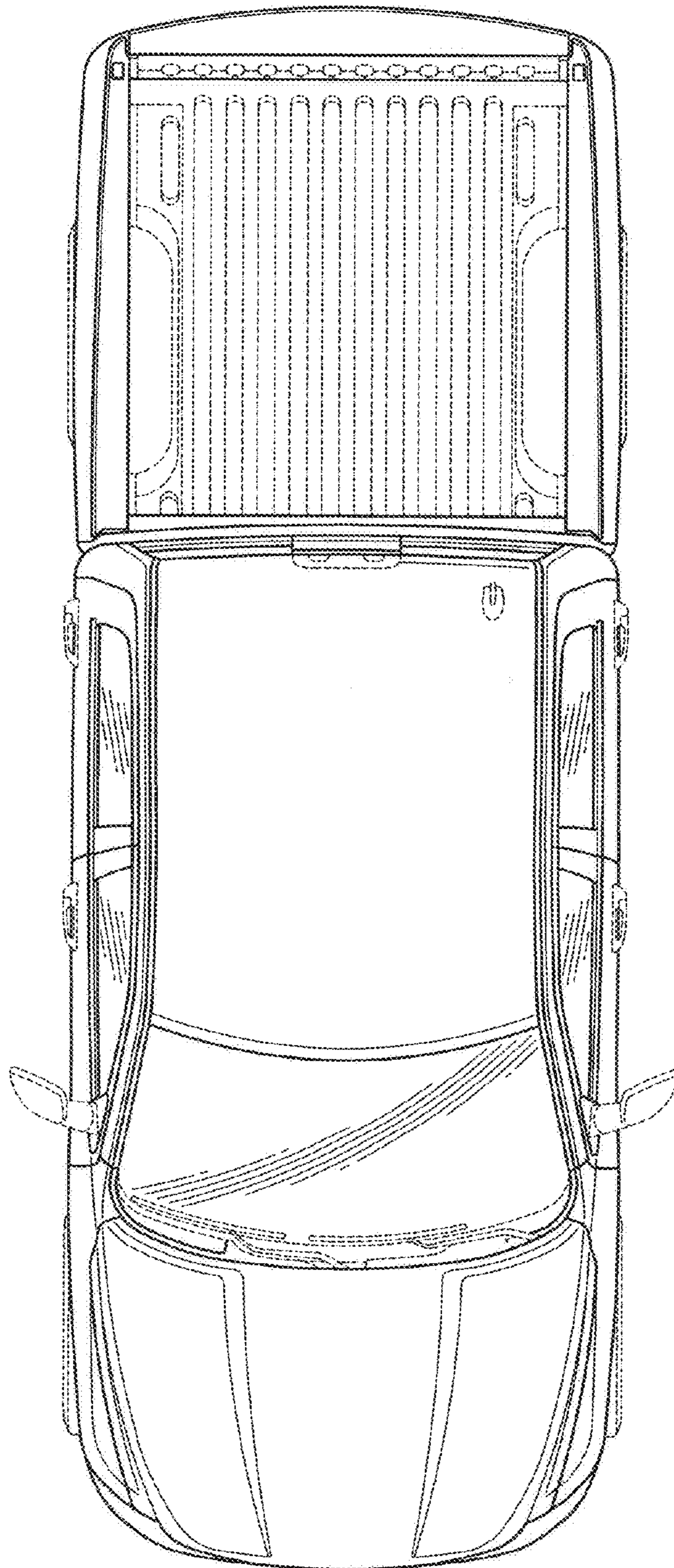


FIG. 7