



US00D755077S

(12) **United States Design Patent**
Lyons et al.

(10) **Patent No.:** **US D755,077 S**

(45) **Date of Patent:** **** May 3, 2016**

(54) **UTILITY VEHICLE**

(71) Applicant: **Club Car LLC**, Evans, GA (US)

(72) Inventors: **Samuel R. Lyons**, Appling, GA (US);
Dean J. Long, Lakewood Ranch, FL
(US); **Daniel R. Dykstra**, Martinez, GA
(US); **Carrie S. Harrison**, Evans, GA
(US); **Brandon S. Jaremski**, Evans, GA
(US); **Craig A. Dullinger**, Litchfield,
MN (US); **Randy R. Reinke**,
Minnetonka, MN (US)

(73) Assignee: **Club Car LLC**, Evans, GA (US)

(**) Term: **14 Years**

(21) Appl. No.: **29/469,705**

(22) Filed: **Oct. 14, 2013**

(51) **LOC (10) Cl.** **12-13**

(52) **U.S. Cl.**
USPC **D12/14**

(58) **Field of Classification Search**
USPC D12/14, 1, 87, 86, 433, 15, 16, 107, 82,
D12/88, 89, 90, 91, 92, 93; D21/803;
180/233, 908; 208/DIG. 5, 183, 184,
208/185, 186, 28, 37.7

See application file for complete search history.

(56) **References Cited**

U.S. PATENT DOCUMENTS

D621,423 S * 8/2010 Nakanishi et al. D15/23
D682,738 S * 5/2013 Li et al. D12/14
D716,693 S * 11/2014 Higashikawa D12/14
2012/0019376 A1* 1/2012 Kwon et al. 340/457.3

* cited by examiner

Primary Examiner — T. Chase Nelson

Assistant Examiner — Ania Aman

(74) *Attorney, Agent, or Firm* — Taft Stettinus & Hollister
LLP

(57) **CLAIM**

The ornamental design for a utility vehicle, as shown and described.

DESCRIPTION

FIG. 1 is a front, right-side perspective view of the utility vehicle.

FIG. 2 is a rear, right-side perspective view thereof.

FIG. 3 is a front, left-side perspective view thereof.

FIG. 4 is a rear, left-side perspective view thereof.

FIG. 5 is a top view thereof.

FIG. 6 is a right-side elevational view thereof.

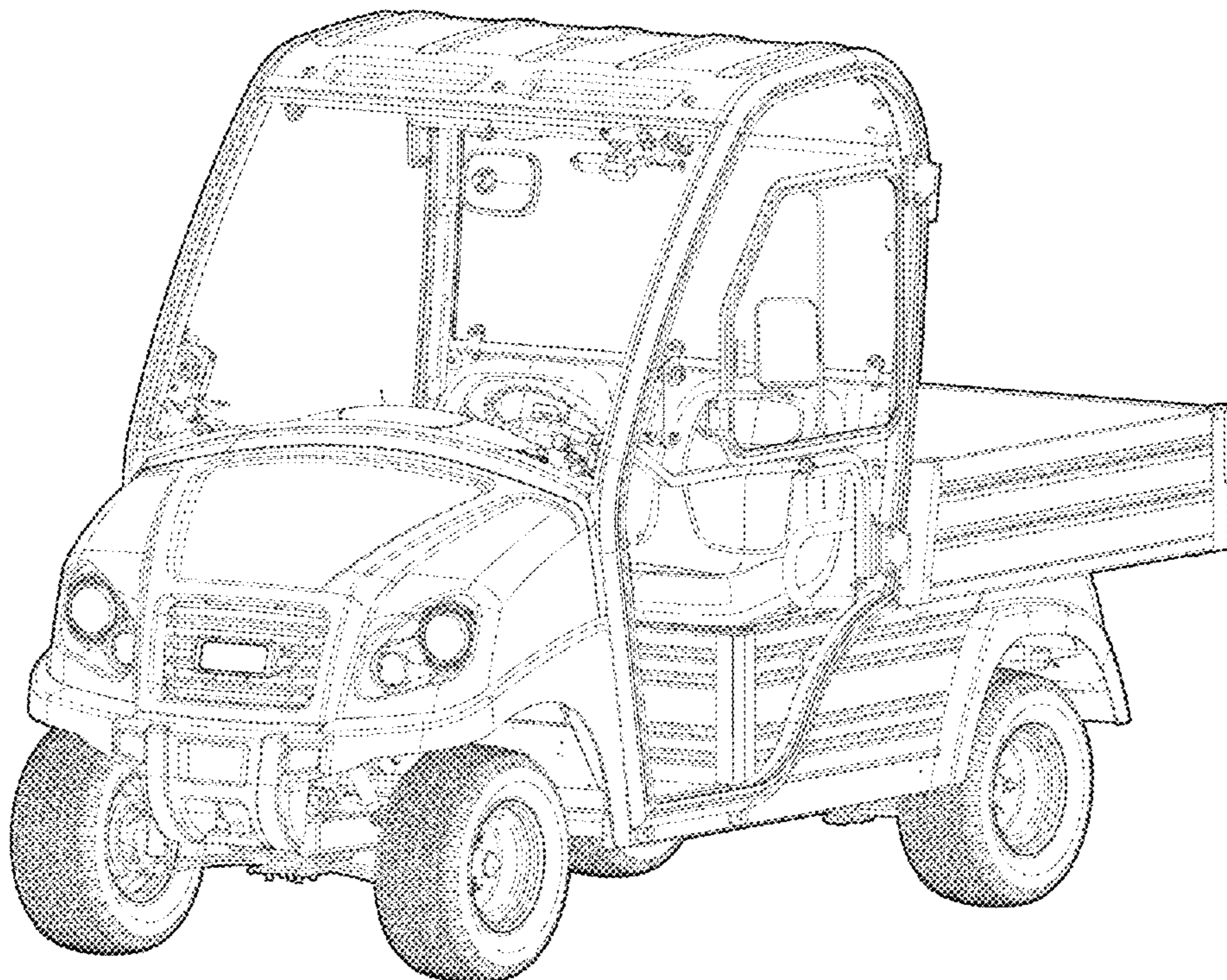
FIG. 7 is a left-side elevational view thereof.

FIG. 8 is a front elevational view thereof; and,

FIG. 9 is a rear elevational view thereof.

FIGS. 1-9 show certain portions of the utility vehicle and/or its environment in phantom lines. The phantom lines show elements that form no part of the claimed design.

1 Claim, 8 Drawing Sheets



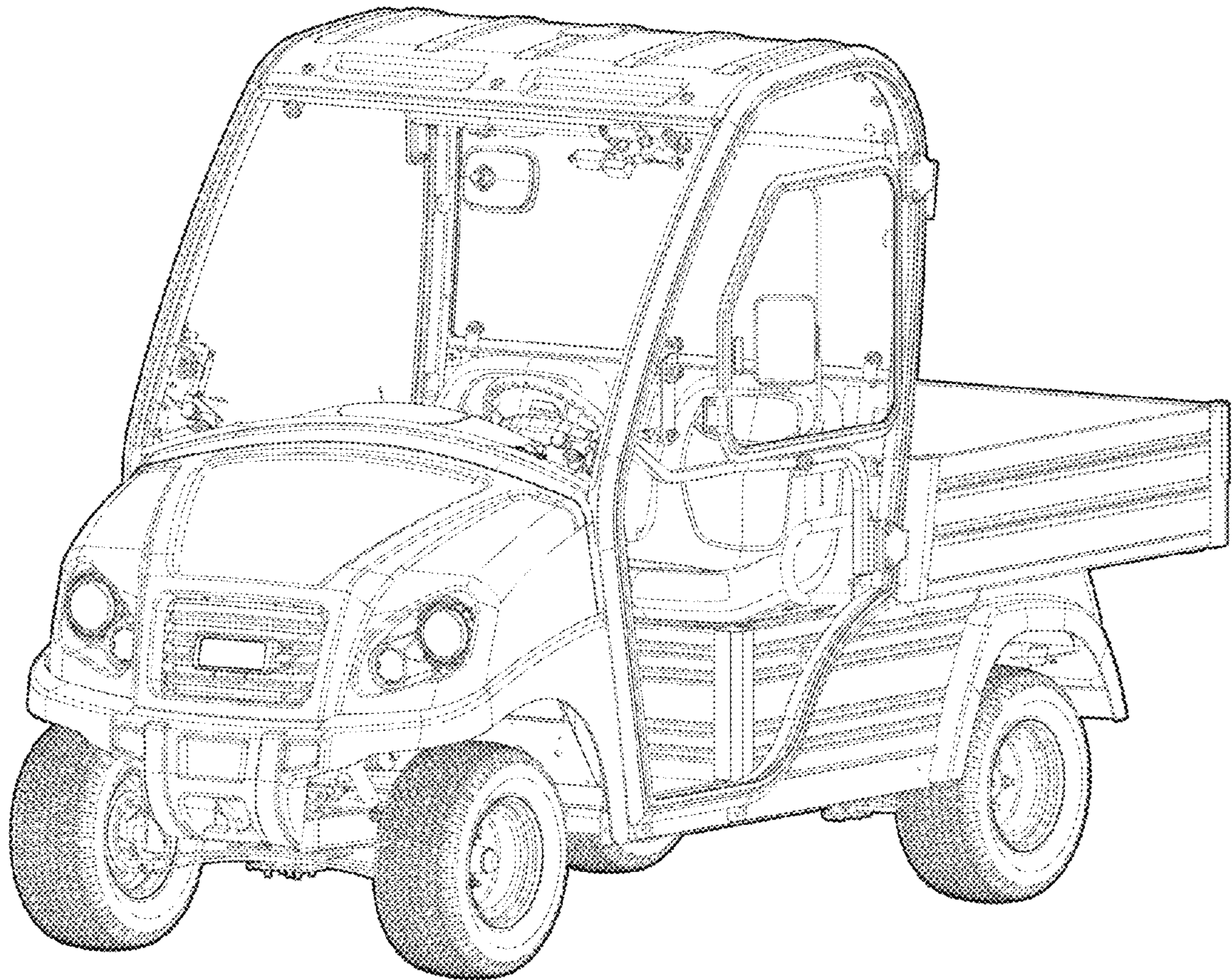


Fig. 1

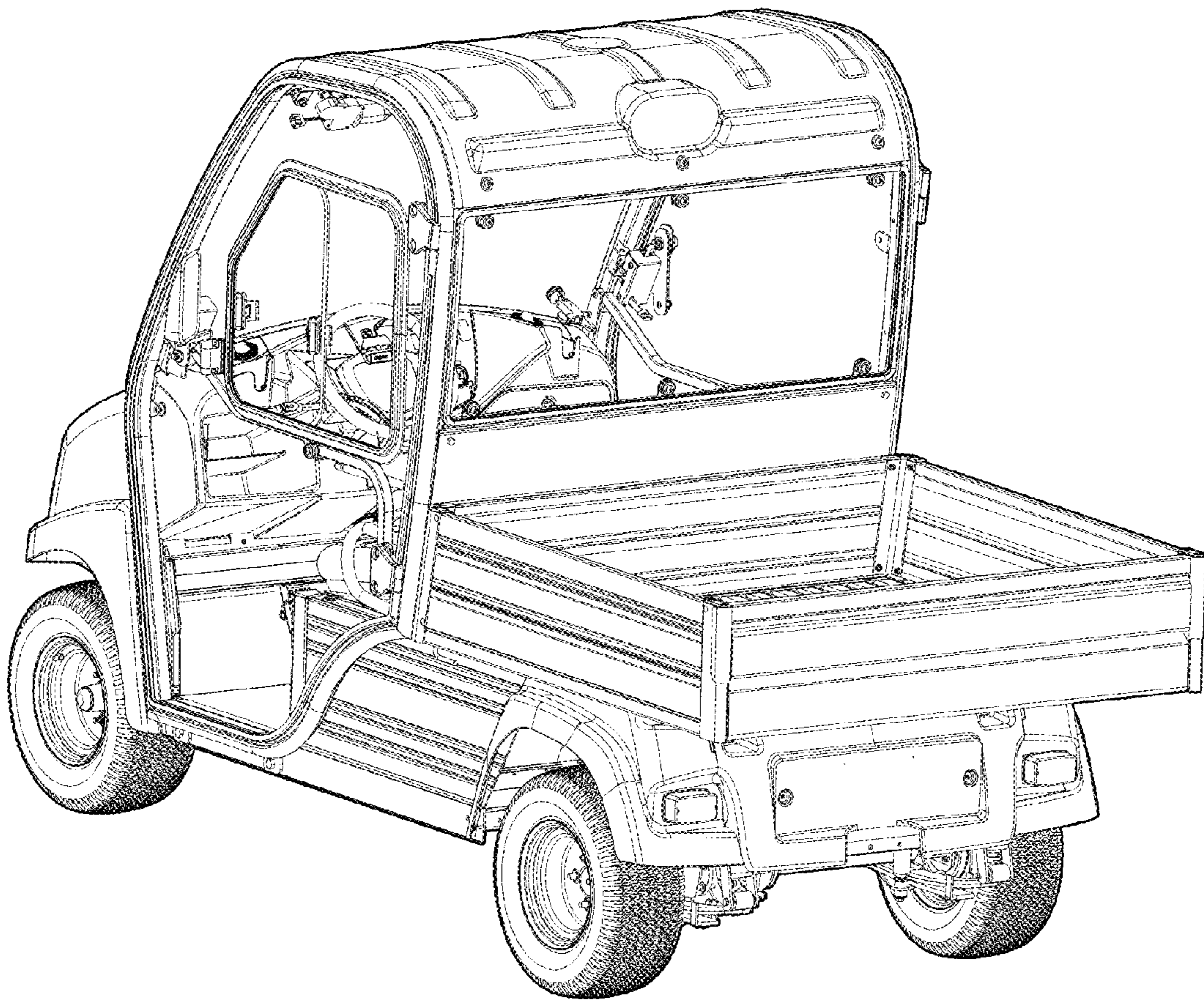


Fig. 2

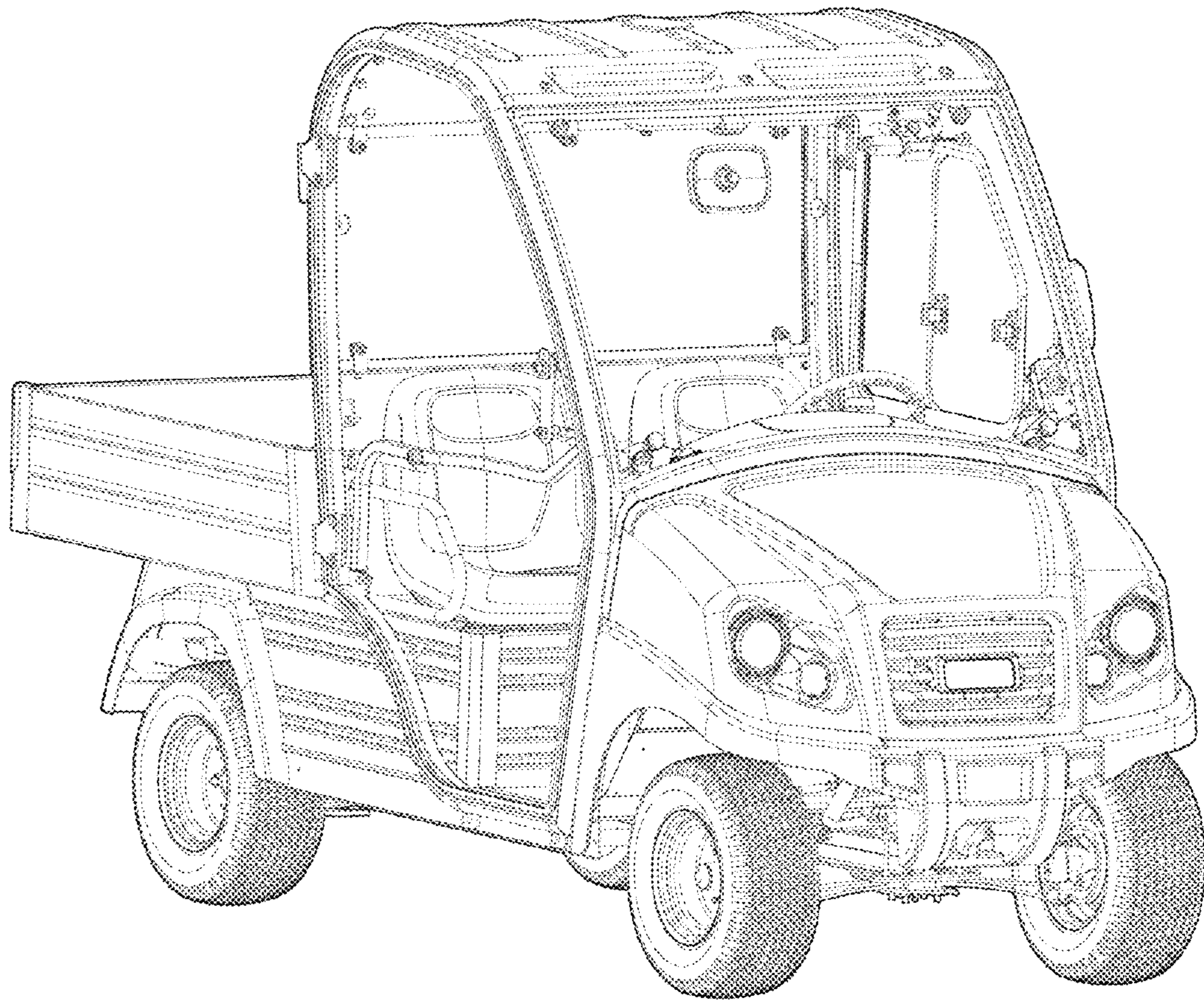


Fig. 3

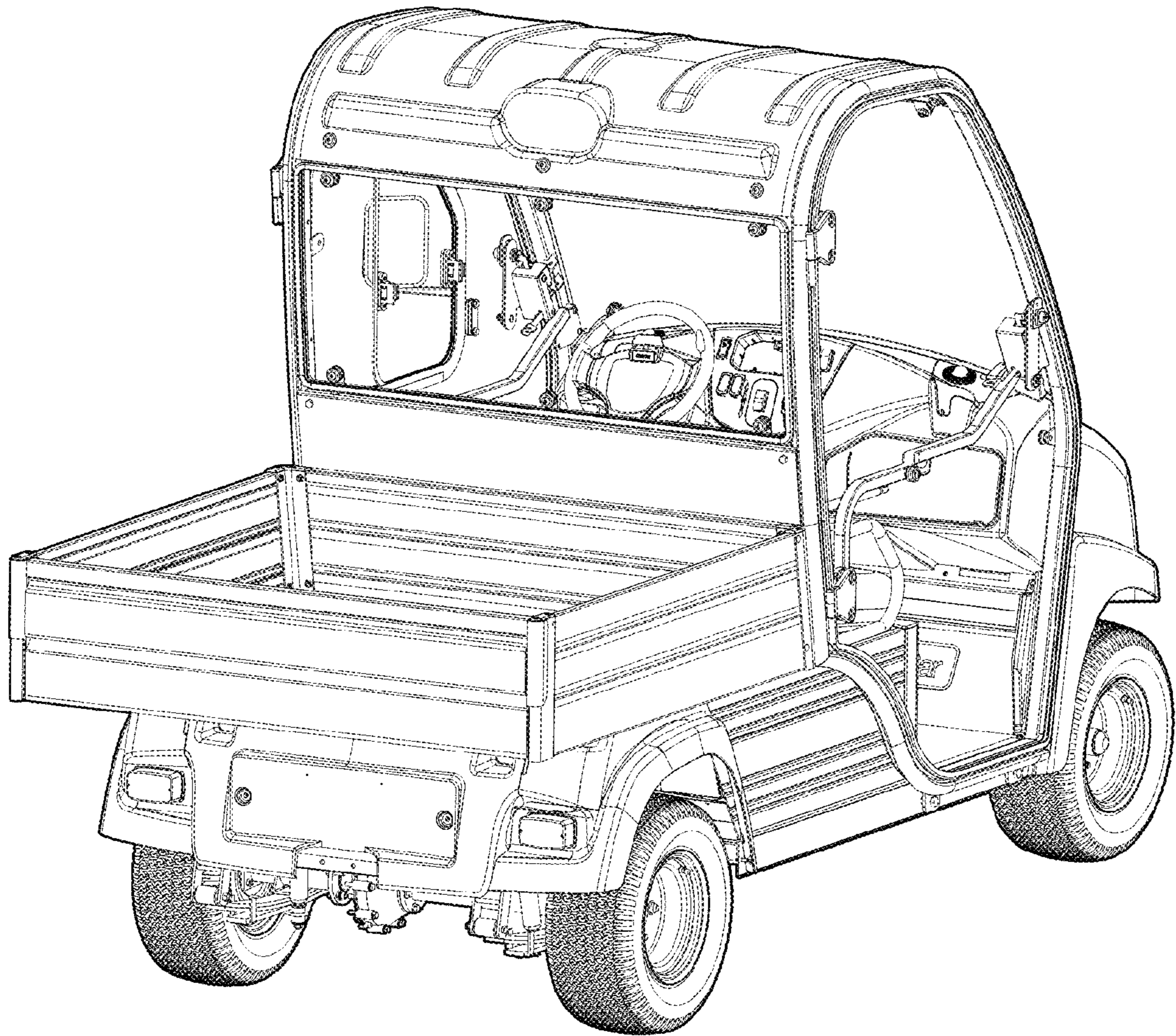


Fig. 4

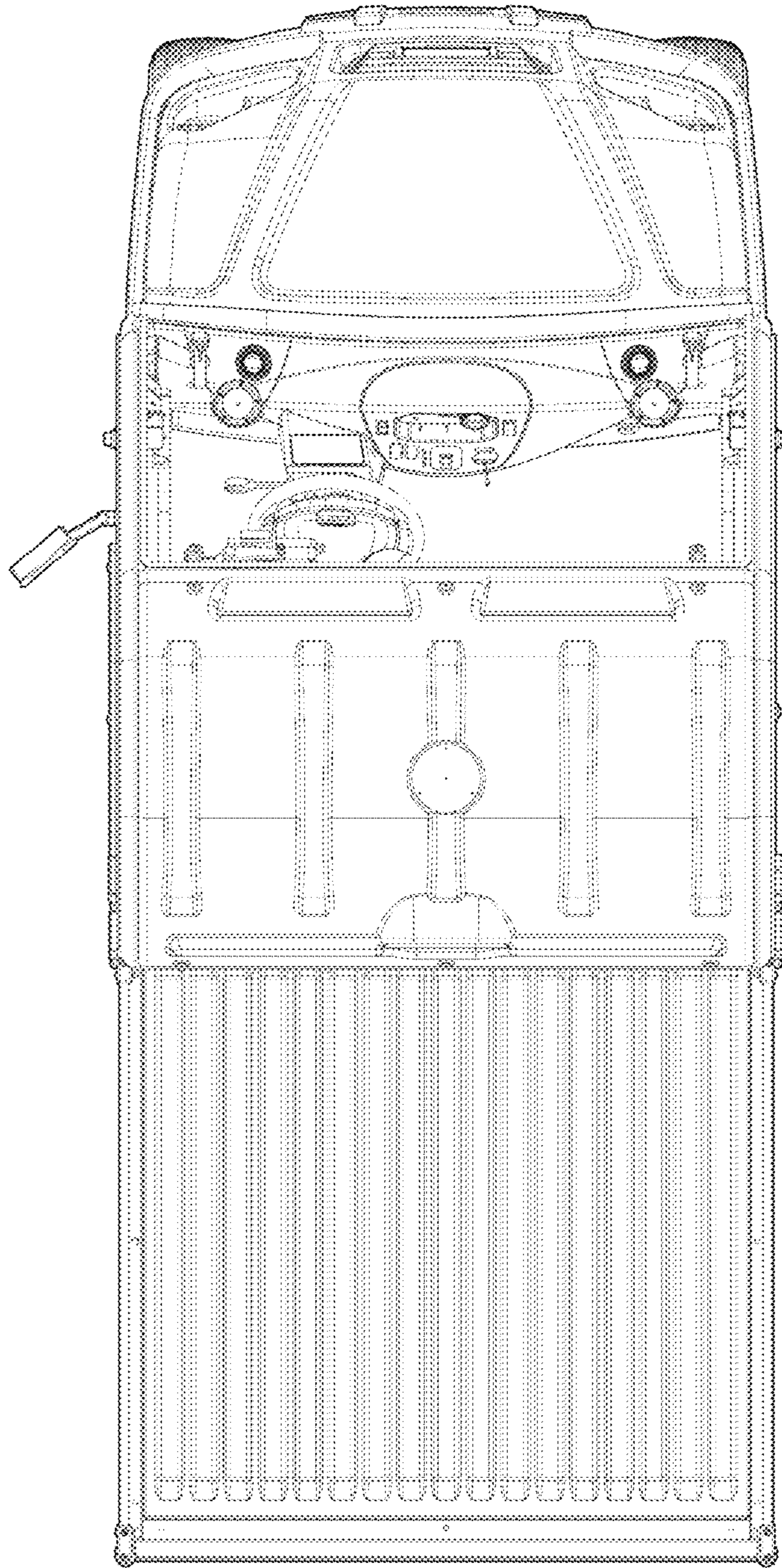


Fig. 5

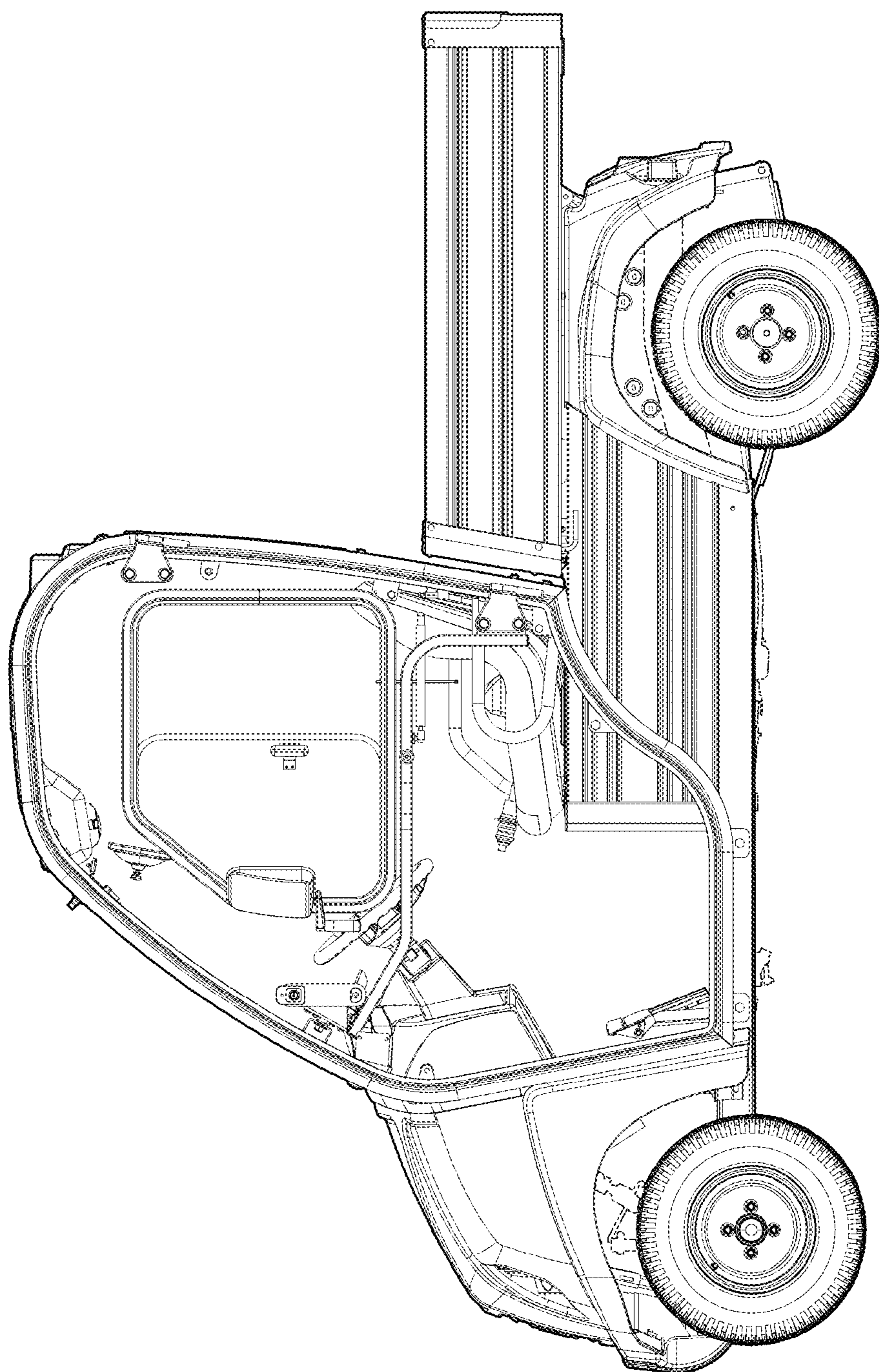


Fig. 6

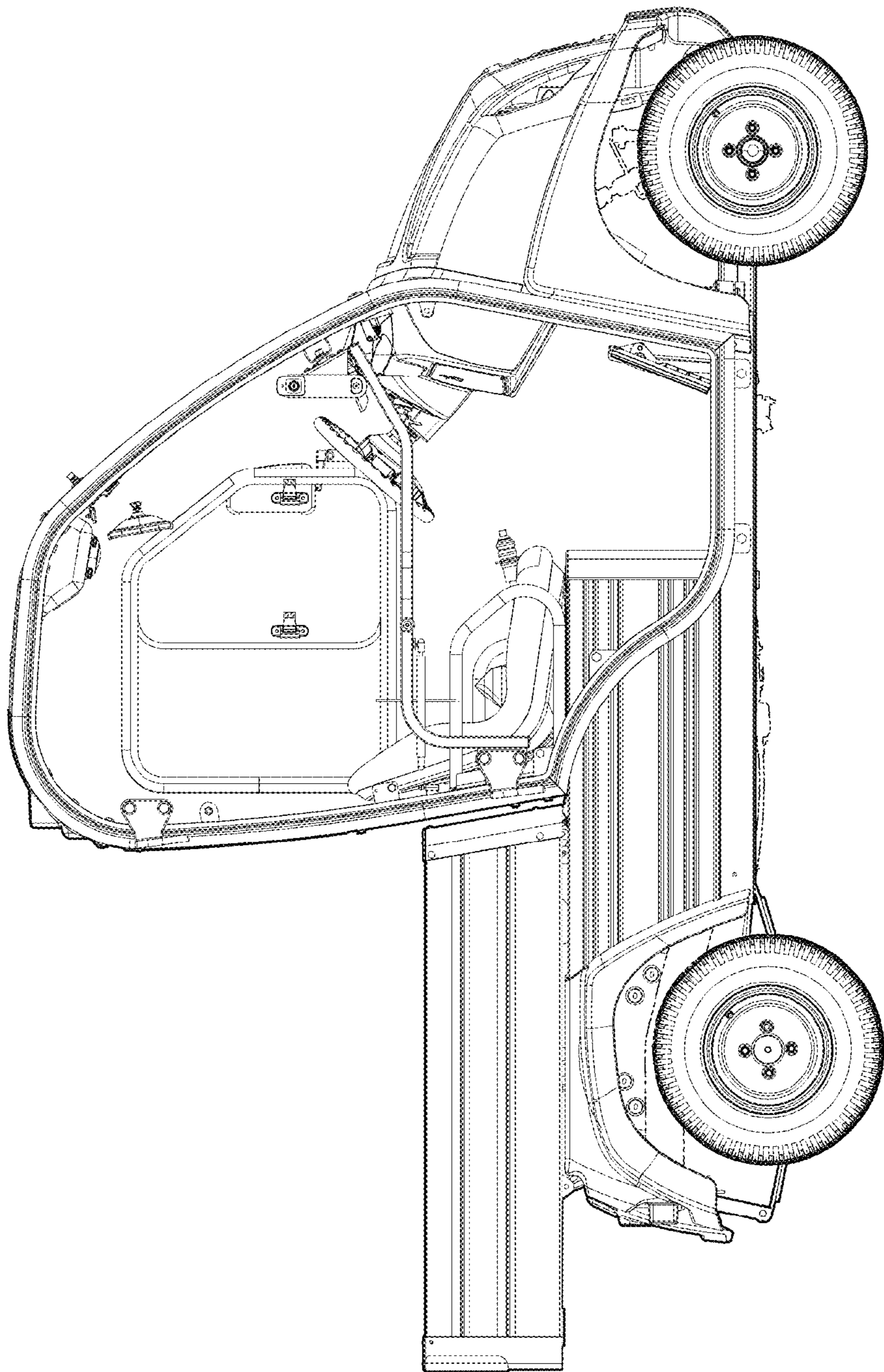


Fig. 7

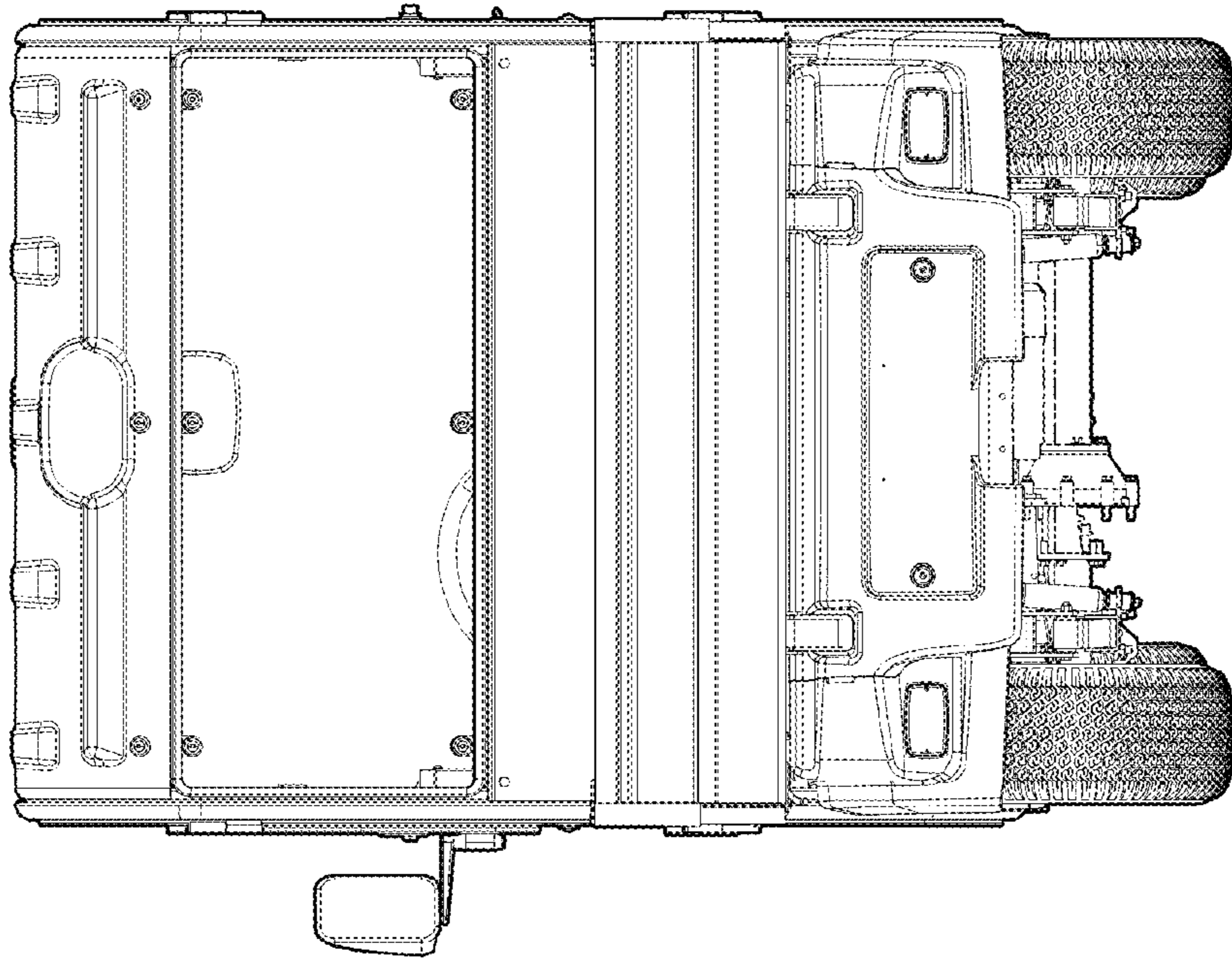


Fig. 9

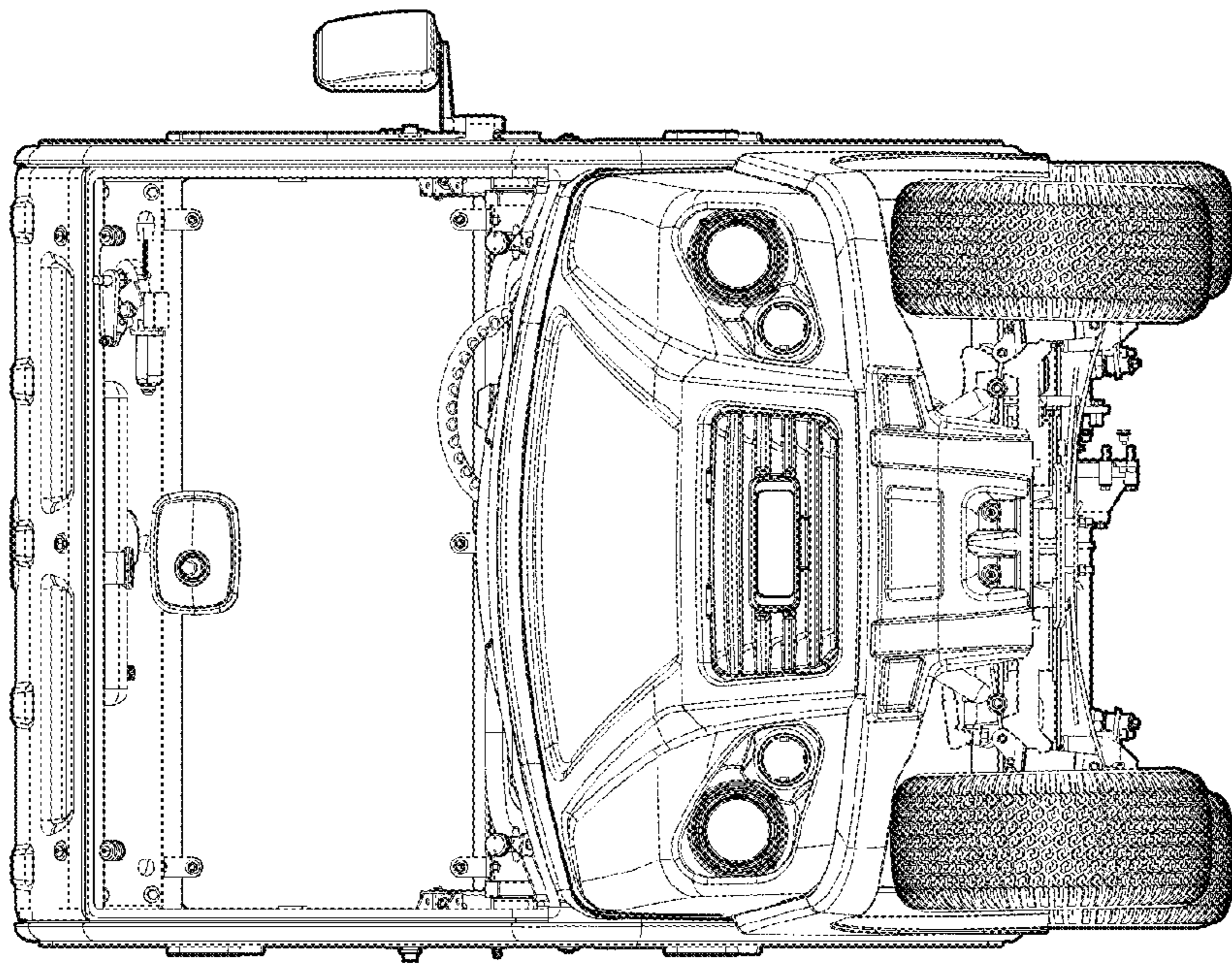


Fig. 8