

US00D755076S

(12) **United States Design Patent**
Blocker

(10) **Patent No.:** **US D755,076 S**

(45) **Date of Patent:** **** May 3, 2016**

(54) **BELT BUCKLE**

(71) Applicant: **Ted Blocker**, Estacada, OR (US)

(72) Inventor: **Ted Blocker**, Estacada, OR (US)

(**) Term: **14 Years**

(21) Appl. No.: **29/518,763**

(22) Filed: **Feb. 26, 2015**

(51) **LOC (10) Cl.** **02-07**

(52) **U.S. Cl.**
USPC **D11/231**

(58) **Field of Classification Search**
USPC D11/200–201, 231–241; D2/624–640,
D2/943, 946; 24/163 R, 164, 185–189,
24/194–199, 169–171, 173, 177–179,
24/191; 224/163; D30/152; 119/863
CPC A44B 11/24; A44B 11/006; A44B 11/04;
A44B 11/001; A44B 99/00; A44B 11/10;
A44B 11/005; A41F 11/12; A41F 11/16;
B65D 85/12

See application file for complete search history.

(56) **References Cited**

U.S. PATENT DOCUMENTS

- D28,505 S * 4/1898 Nobel D11/237
- 4,819,303 A * 4/1989 Udelhofen A41F 9/007
24/176
- D342,920 S * 1/1994 Kirk D11/231
- D342,922 S * 1/1994 Kirk D11/200
- D342,923 S * 1/1994 Kirk D11/200

- D344,693 S * 3/1994 Tierce D11/232
- D416,828 S * 11/1999 Hwang D11/237
- D479,489 S * 9/2003 Calvani D11/234
- D543,488 S * 5/2007 Tobergte D11/234
- D593,449 S * 6/2009 Bulgari D11/200
- D637,519 S * 5/2011 Coffman D11/234
- D682,736 S * 5/2013 Ng D11/234
- D691,513 S * 10/2013 Holloway D11/234
- D708,549 S * 7/2014 Kao D11/234
- D710,251 S * 8/2014 Mariner D11/234
- D711,777 S * 8/2014 Monachon D11/234

* cited by examiner

Primary Examiner — T. Chase Nelson

Assistant Examiner — Mark Cavanna

(74) *Attorney, Agent, or Firm* — Alleman Hall McCoy
Russell & Tuttle LLP

(57) **CLAIM**

The ornamental design for a belt buckle, as shown and described.

DESCRIPTION

FIG. 1 is a right perspective view of an ornamental design for a belt buckle showing my new design.

FIG. 2 is a front view thereof.

FIG. 3 is a back view thereof.

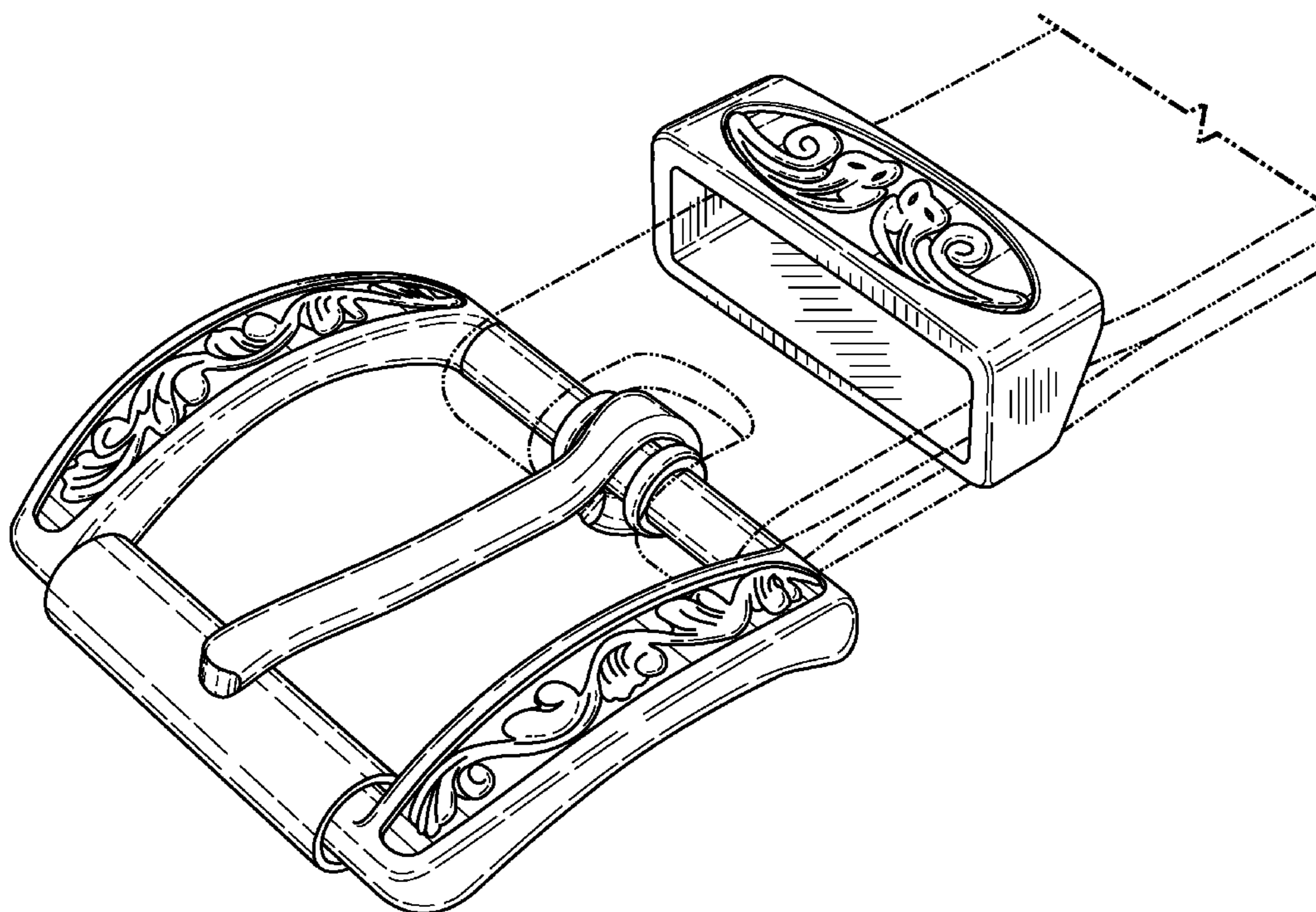
FIG. 4 is a right side view thereof.

FIG. 5 is a left side view thereof; and,

FIG. 6 is a top view thereof, wherein the bottom view is a mirror image of the top view.

The broken line drawing in FIG. 1 is for the purpose of illustrating a belt and forms no part of the claimed design.

1 Claim, 3 Drawing Sheets



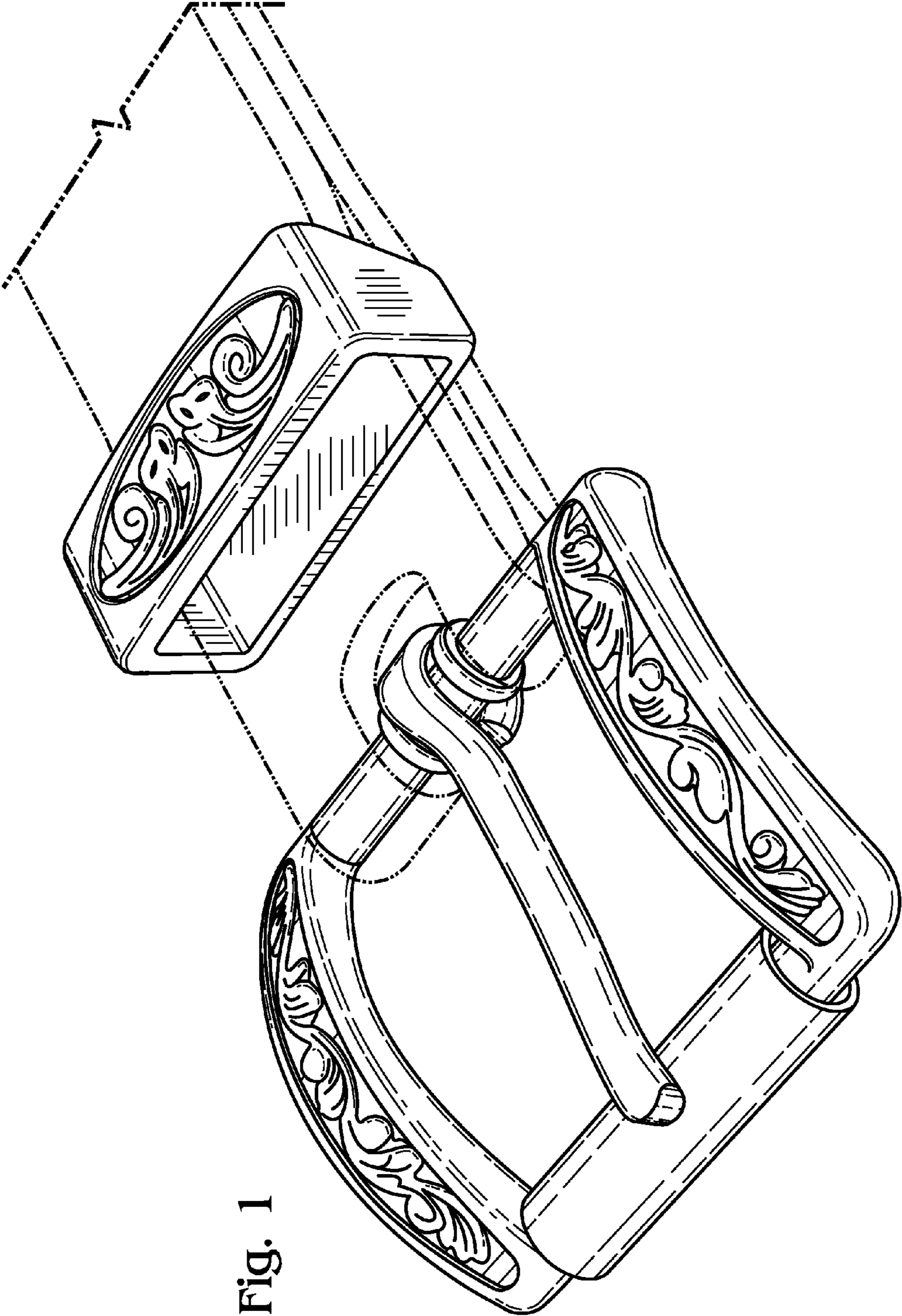


Fig. 1

Fig. 2

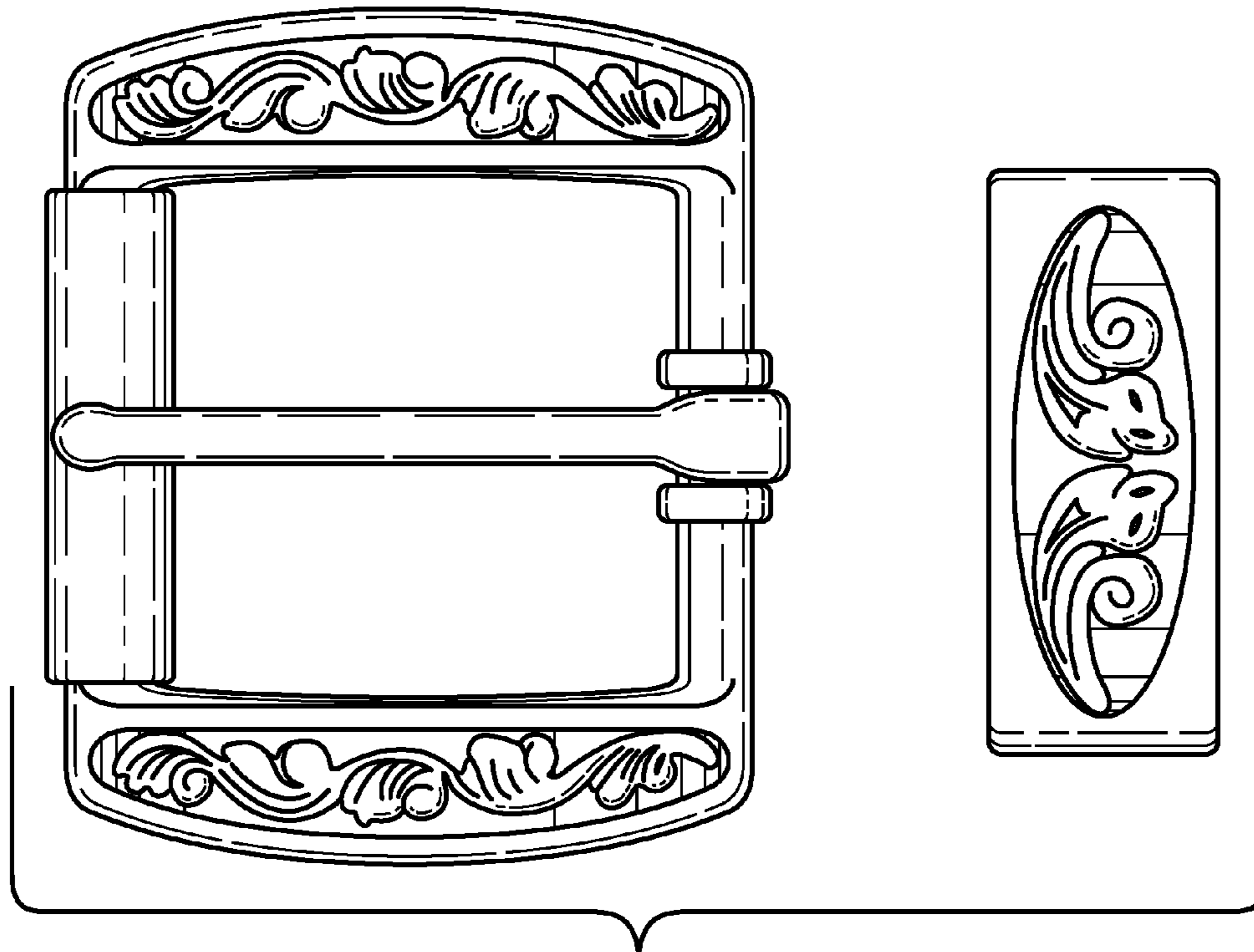


Fig. 3

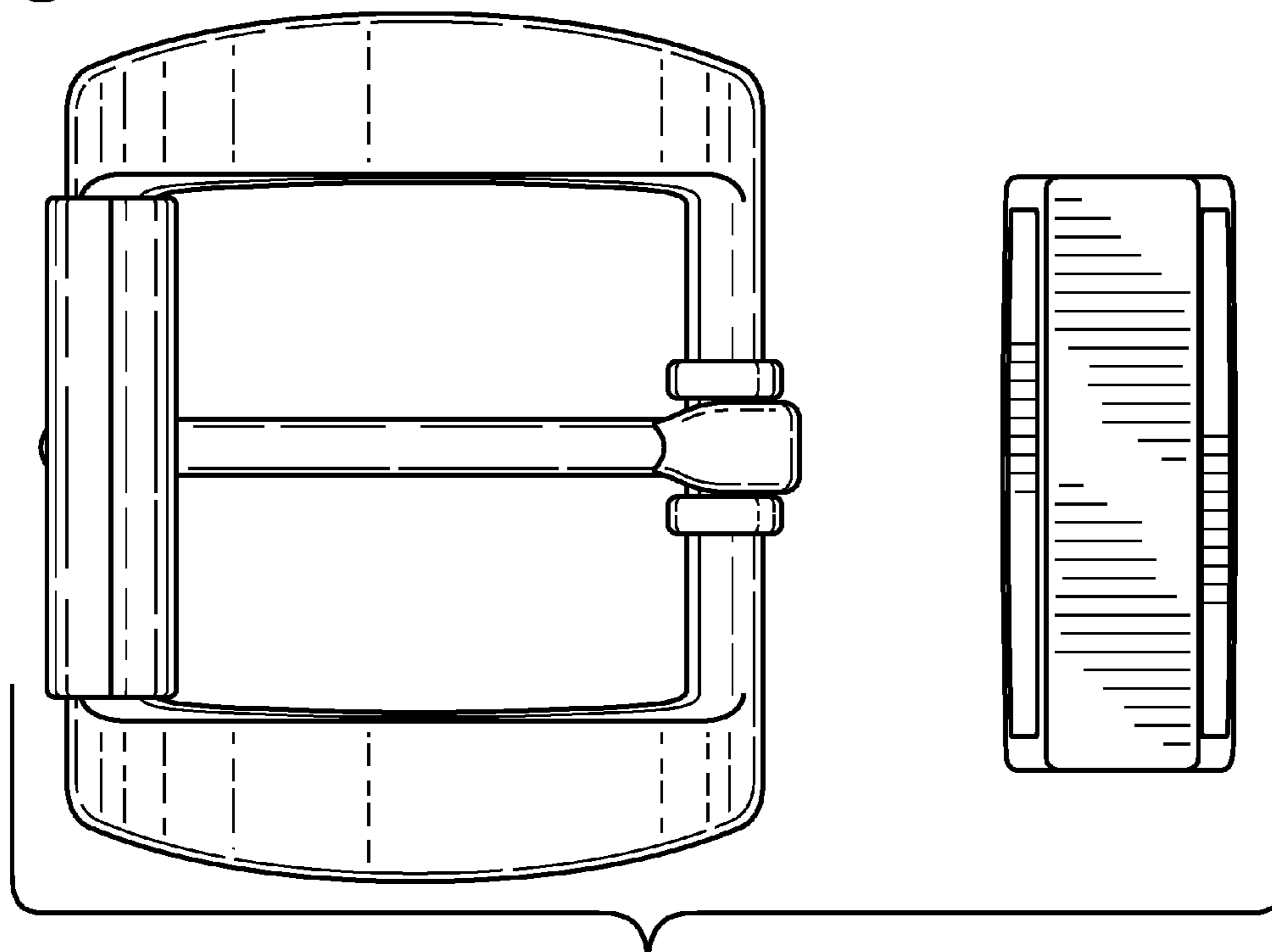


Fig. 4

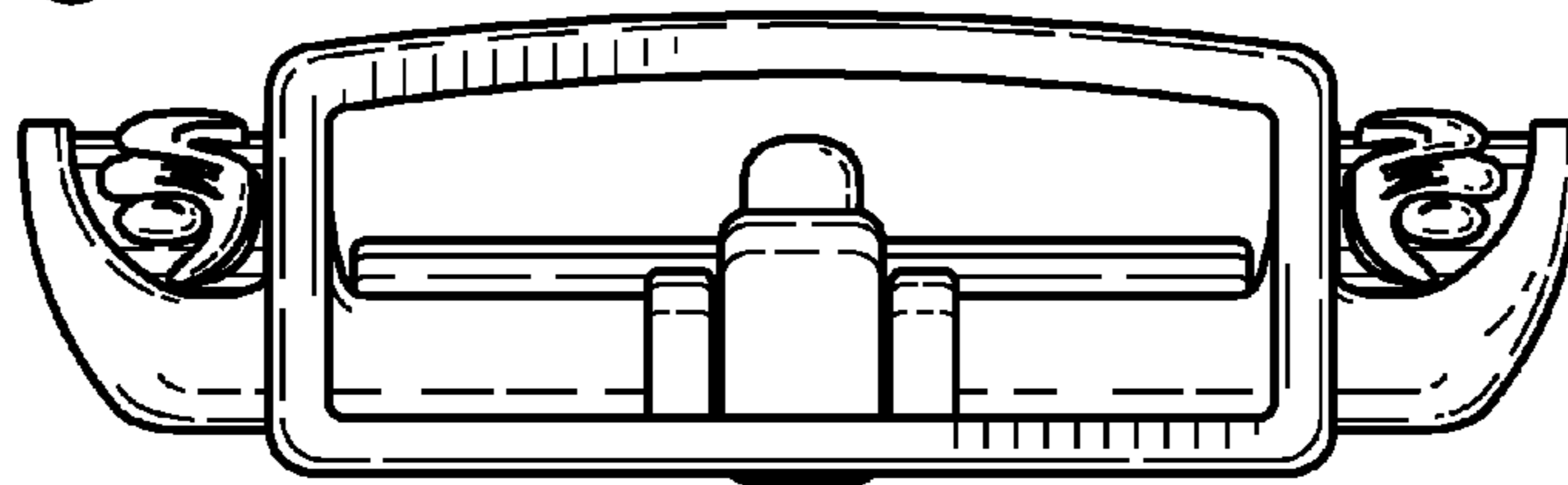


Fig. 5

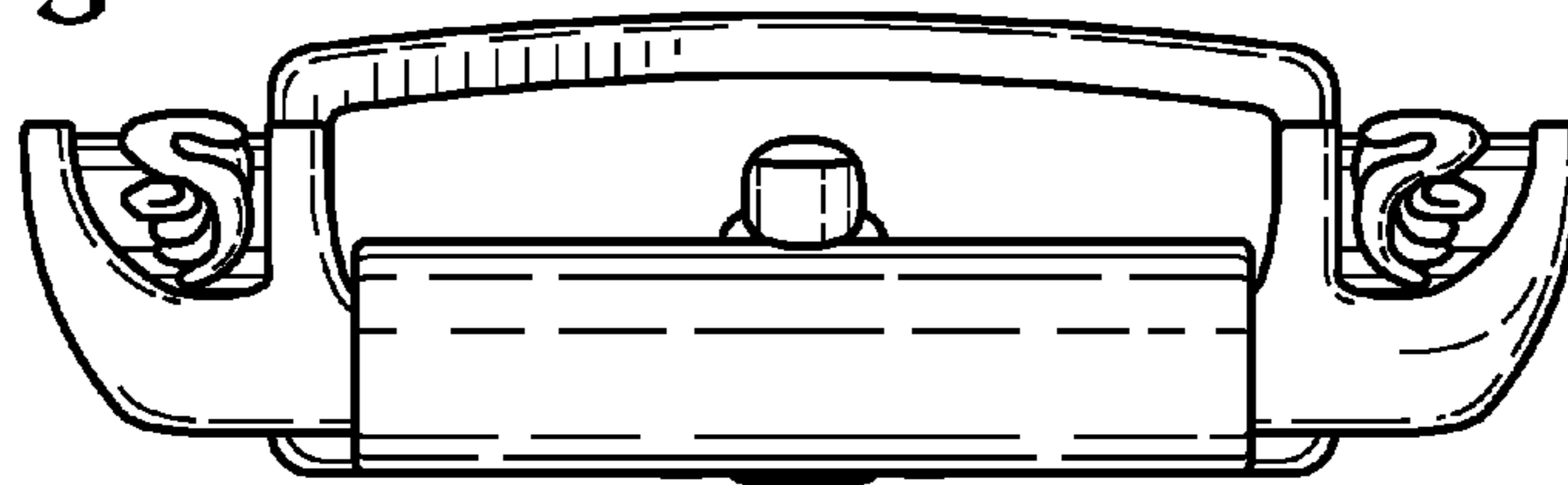


Fig. 6

