



US00D755074S

(12) **United States Design Patent**
Akana et al.

(10) **Patent No.:** **US D755,074 S**

(45) **Date of Patent:** **** May 3, 2016**

(54) **BAND**

(71) Applicant: **Apple Inc.**, Cupertino, CA (US)

(72) Inventors: **Jody Akana**, San Francisco, CA (US); **Bartley K. Andre**, Palo Alto, CA (US); **Shota Aoyagi**, San Francisco, CA (US); **Anthony Michael Ashcroft**, San Francisco, CA (US); **Jeremy Bataillou**, San Francisco, CA (US); **Daniel J. Coster**, San Francisco, CA (US); **Daniele De Iuliis**, San Francisco, CA (US); **M. Evans Hankey**, San Francisco, CA (US); **Julian Hoenig**, San Francisco, CA (US); **Richard P. Howarth**, San Francisco, CA (US); **Jonathan P. Ive**, San Francisco, CA (US); **Duncan Robert Kerr**, San Francisco, CA (US); **Marc A. Newson**, London (GB); **Matthew Dean Rohrbach**, San Francisco, CA (US); **Peter Russell-Clarke**, San Francisco, CA (US); **Benjamin Andrew Shaffer**, San Jose, CA (US); **Mikael Silvanto**, San Francisco, CA (US); **Christopher J. Stringer**, Woodside, CA (US); **Eugene Antony Whang**, San Francisco, CA (US); **Rico Zörkendörfer**, San Francisco, CA (US)

(73) Assignee: **Apple Inc.**, Cupertino, CA (US)

(**) Term: **14 Years**

(21) Appl. No.: **29/524,102**

(22) Filed: **Apr. 16, 2015**

Related U.S. Application Data

(63) Continuation of application No. 29/498,997, filed on Aug. 11, 2014, now Pat. No. Des. 727,199.

(51) **LOC (10) Cl.** **11-01**

(52) **U.S. Cl.**
USPC **D11/94**

(58) **Field of Classification Search**

USPC D11/1-25, 86, 93, 94; D10/30-39, 70, D10/46; 24/456, 574.1, 587.11, 587.12, 24/578.15; 600/301; 224/164, 175; 368/276, 281, 282, 285

CPC G04B 37/1486; G04B 37/16; G04B 37/18; A44C 5/14; A44C 5/0053; A44C 5/0069; A44C 5/0076; A44C 5/00; A44C 5/0007;

A44C 5/0015; A44C 5/0023; A44C 5/003; A44C 5/0061; A44C 5/12; A44C 5/147; A44C 5/18; A44C 5/185

See application file for complete search history.

(56)

References Cited

U.S. PATENT DOCUMENTS

1,712,564 A 5/1929 Jones
1,712,582 A 5/1929 Renz

(Continued)

FOREIGN PATENT DOCUMENTS

CN 2613171 Y 4/2004
EP 1136010 B1 11/2003

(Continued)

OTHER PUBLICATIONS

[Online] http://store.storeimages.cdn-apple.com/4869/as-images.apple.com/is/image/AppleInc/aos/published/images/w/42/w42ss/slsi/w42ss-slsi-sel-201509_GEO_US?wid=332&hei=392&fmt=jpeg&qlt=95&op_sharpen=0&resMode=bicub&op_usm=0.5,0.5,0,0&iccEmbed=0&layer=comp&.v=1441818072115. Retrieved Dec. 9, 2015.*

(Continued)

Primary Examiner — Garth Rademaker

Assistant Examiner — Melanie Pellegrini

(74) *Attorney, Agent, or Firm* — Sterne, Kessler, Goldstein & Fox P.L.L.C.

(57)

CLAIM

The ornamental design for a band, as shown and described.

DESCRIPTION

FIG. 1 is a bottom front perspective view of a band showing our new design;

FIG. 2 is a bottom rear perspective view thereof;

FIG. 3 is a front view thereof;

FIG. 4 is a rear view thereof;

FIG. 5 is a left side view thereof;

FIG. 6 is a right side view thereof;

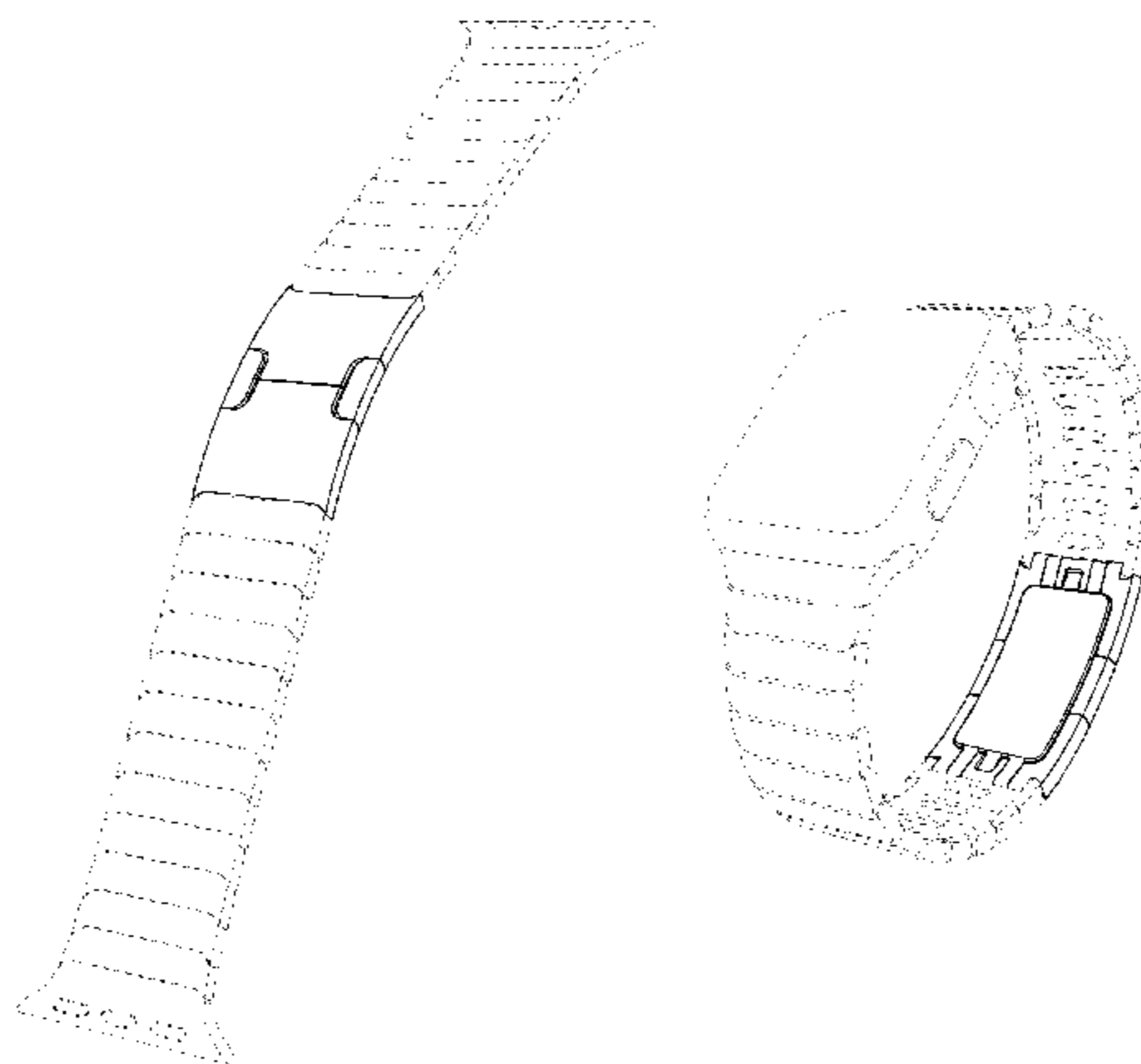
FIG. 7 is a top view thereof;

FIG. 8 is a bottom view thereof; and,

FIG. 9 is a perspective view thereof showing the band in an environment in which it may be used.

The broken lines in the Figures show portions of the band and environment that form no part of the claimed design.

1 Claim, 6 Drawing Sheets



(56)

References Cited

U.S. PATENT DOCUMENTS

1,738,407	A	12/1929	Tost	
1,740,894	A	12/1929	Johnson	
1,760,662	A	5/1930	Prestinari	
1,764,440	A	6/1930	Gammell et al.	
1,784,582	A	12/1930	Doppenschmitt	
1,786,943	A	12/1930	Gammell	
2,500,649	A *	3/1950	Szeglin	A44C 5/246 24/71 J
3,030,686	A	4/1962	Burkhardt	
3,372,500	A	3/1968	Claude	
3,665,565	A	5/1972	Kruger	
3,675,284	A	7/1972	Rieth	
3,914,933	A	10/1975	Carlone	
3,994,126	A	11/1976	Rieth	
D249,244	S	9/1978	Salter	
4,125,920	A	11/1978	Grimes	
D250,634	S	12/1978	Porsche	
D251,829	S	5/1979	Sulek	
D256,568	S	8/1980	Young	
4,266,400	A	5/1981	Tabata	
D287,705	S	1/1987	Malamoud	
4,681,461	A	7/1987	Gogniat	
5,239,521	A	8/1993	Blonder	
D339,309	S	9/1993	Butler	
5,363,351	A	11/1994	Carney	
5,441,686	A	8/1995	Jackl et al.	
D365,994	S *	1/1996	Brennan	D10/32
D408,301	S	4/1999	Porsche et al.	
D409,503	S *	5/1999	Giugiaro	D10/32
D424,952	S	5/2000	Porsche et al.	
6,101,842	A	8/2000	Delacretaz	
D433,638	S *	11/2000	Kaneko	D10/32
6,198,698	B1	3/2001	Graves	
D473,818	S	4/2003	Salvisberg	
D488,392	S	4/2004	Tschumi	
D494,098	S	8/2004	Cohen	
6,782,690	B2	8/2004	Kwan	
D506,685	S *	6/2005	Yamamoto	D10/32
7,013,631	B2	3/2006	Carrola	
D581,811	S	12/2008	Messmer et al.	
D584,170	S	1/2009	Morrison	
D588,472	S	3/2009	Messmer et al.	
D600,142	S *	9/2009	Takahashi	D10/32
D631,761	S	2/2011	Barbier	
D642,074	S	7/2011	Chastaingt	
D671,015	S	11/2012	Monachon	
D674,710	S	1/2013	Monachon	
8,601,784	B2	12/2013	Kaltenrieder	
D704,077	S	5/2014	Monachon	
D720,630	S	1/2015	Nashimoto	
D727,199	S *	4/2015	Akana	D11/3
D735,060	S *	7/2015	Monachon	D10/32
2005/0207284	A1	9/2005	Hiranuma et al.	
2005/0210857	A1	9/2005	Carrola	
2007/0180857	A1 *	8/2007	Giordano	A44C 5/22 63/3.2
2012/0168471	A1	7/2012	Wilson	
2014/0096345	A1	4/2014	Tschumi	
2014/0098649	A1	4/2014	Tschumi	
2015/0085623	A1 *	3/2015	Modaragamage	A44C 5/24 368/10

FOREIGN PATENT DOCUMENTS

EP	2636328	A1	9/2013
GB	618917	A	3/1949
GB	2047514	A	12/1980
GB	2033807		3/1994
GB	2082277		6/1999
GB	2086601		11/1999
GB	2095450		12/2000
JP	D1038962		5/1999
JP	D1038963		5/1999
JP	D1088241		10/2000

JP	D1092722		12/2000
JP	D1095359		1/2001
JP	D1115866		7/2001
JP	D1126997		11/2001
JP	D1130391		1/2002
JP	D1194393		1/2004
JP	D1231469		2/2005
JP	D1350052		2/2009
JP	D1350493		2/2009
JP	5479052	B2	4/2014
KR	30-0298089		5/2002
KR	30-0476859		1/2008
KR	30-0476860		1/2008
WO	9117679	A1	11/1991
WO	DM/033704-002		9/1995
WO	DM/041969-001		1/1998
WO	DM/047086-002		5/1999
WO	DM/061681-002		10/2002
WO	DM/063315-002		5/2003
WO	DM/068937-006		6/2007
WO	DM/070624-004		10/2008
WO	DM071101		12/2008
WO	DM/074430-001		11/2010
WO	2013182397	A1	12/2013

OTHER PUBLICATIONS

U.S. Appl. No. 29/498,987, filed Aug. 11, 2014.
U.S. Appl. No. 29/498,990, filed Aug. 11, 2014.
U.S. Appl. No. 29/498,994, filed Aug. 11, 2014.
U.S. Appl. No. 29/498,995, filed Aug. 11, 2014.
U.S. Appl. No. 29/498,996, filed Aug. 11, 2014.
U.S. Appl. No. 29/499,052, filed Aug. 11, 2014.
U.S. Appl. No. 29/499,061, filed Aug. 11, 2014.
U.S. Appl. No. 29/499,067, filed Aug. 11, 2014.
U.S. Appl. No. 29/499,068, filed Aug. 11, 2014.
U.S. Appl. No. 29/499,069, filed Aug. 11, 2014.
U.S. Appl. No. 29/499,080, filed Aug. 11, 2014.
U.S. Appl. No. 29/499,081, filed Aug. 11, 2014.
U.S. Appl. No. 29/499,082, filed Aug. 11, 2014.
U.S. Appl. No. 29/499,088, filed Aug. 11, 2014.
U.S. Appl. No. 29/499,090, filed Aug. 11, 2014.
U.S. Appl. No. 29/499,091, filed Aug. 11, 2014.
U.S. Appl. No. 29/501,059, filed Aug. 29, 2014.
U.S. Appl. No. 29/501,152, filed Sep. 2, 2014.
U.S. Appl. No. 29/501,624, filed Sep. 5, 2014.
U.S. Appl. No. 29/501,720, filed Sep. 8, 2014.
U.S. Appl. No. 29/501,722, filed Sep. 8, 2014.
U.S. Appl. No. 29/501,723, filed Sep. 8, 2014.
U.S. Appl. No. 29/501,733, filed Sep. 8, 2014.
U.S. Appl. No. 29/501,737, filed Sep. 8, 2014.
U.S. Appl. No. 29/501,746, filed Sep. 8, 2014.
U.S. Appl. No. 29/501,759, filed Sep. 8, 2014.
U.S. Appl. No. 29/501,760, filed Sep. 8, 2014.
U.S. Appl. No. 29/501,763, filed Sep. 8, 2014.
U.S. Appl. No. 29/501,766, filed Sep. 8, 2014.
U.S. Appl. No. 29/501,772, filed Sep. 8, 2014.
U.S. Appl. No. 29/501,775, filed Sep. 8, 2014.
Haedges, "1 Set Silver End Cap Clasp—Findings Large Toggle Clasp End Caps Buckle Connector with Five Inside Loops for Jewelry Making 26mm," <<http://www.etsy.com/listing/101269004/1-set-silver-end-cap-clasp-findings?ref=market>>, Listed on Aug. 29, 2014, accessed Oct. 9, 2014.
Ipod Nano Watch Band Metal, <<http://trend-kid.com/ipod-nano-watch-band-orange.htm>>, accessed Dec. 5, 2014.
[Online] <http://i1-news.softpedia-static.com/images/news2/The-Chips-for-Apple-s-Smartwatch-Are-Entering-Production-464937-2.jpg> Retrieved on Feb. 17, 2015.
Suunto D6 Replacement Stainless Metal Watch Band Bracelet SS013525000 w/ Free Shipping and Handling, <<http://www.opticsplanet.com/suunto-d6-replacement-stainless-bracelet.html>>, accessed Dec. 5, 2014.
Thomas Ricker, "Nike's Amp+ watch: hearts your heart and iPod, too," Oct. 5, 2007, <<http://www.engadget.com/2007/10/05/nikes-amp-watch-hearts-your-heart-and-ipod-too/>>, accessed Dec. 17, 2014.
Twist-O-Flex Radial (16-21mm, Stainless Steel), <<http://www.thewatchprince.com/Speidel-Twist-O-Flex-Expansion-Radial-Stainless>>, accessed Dec. 5, 2014.

* cited by examiner

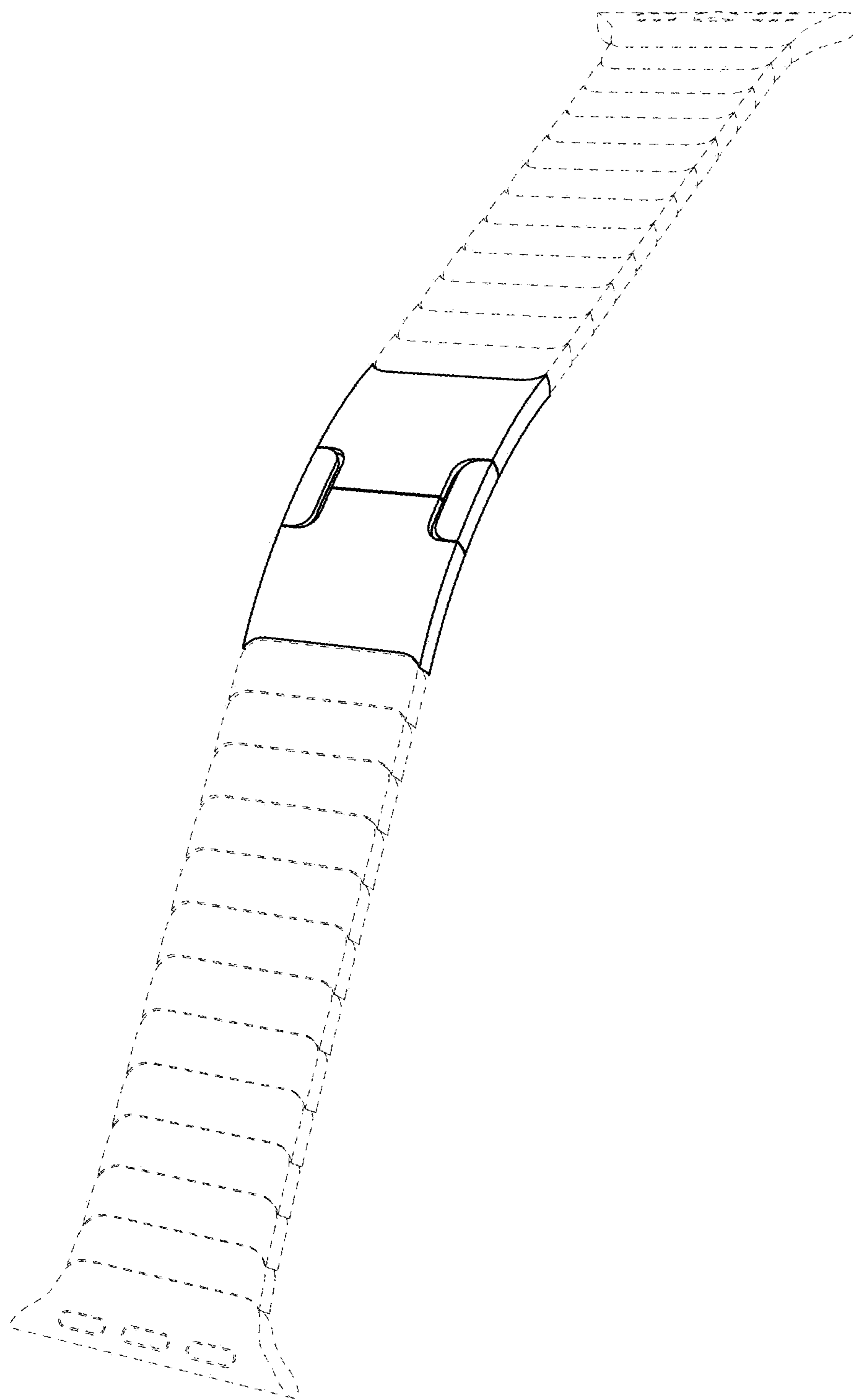


FIG. 1

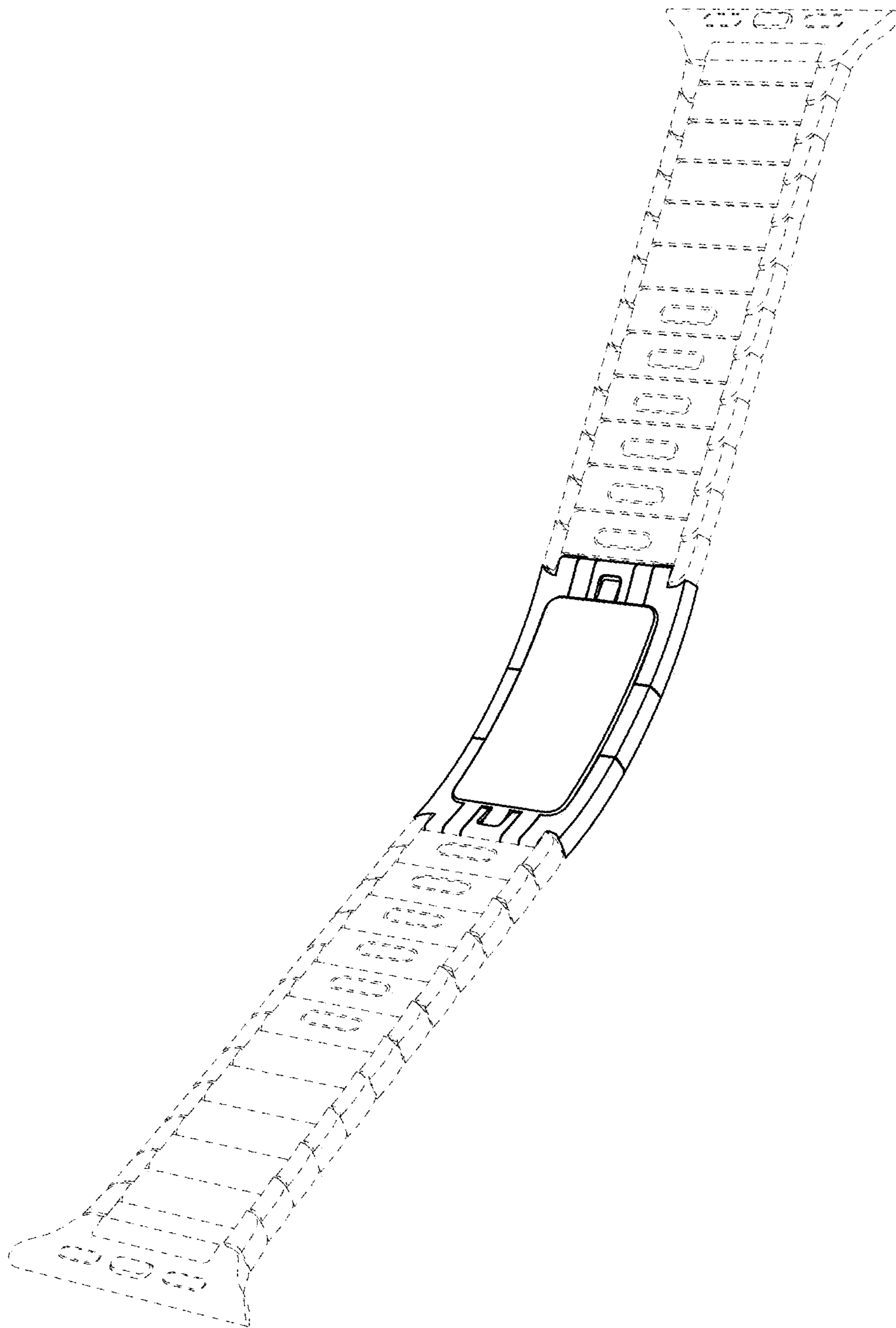


FIG. 2

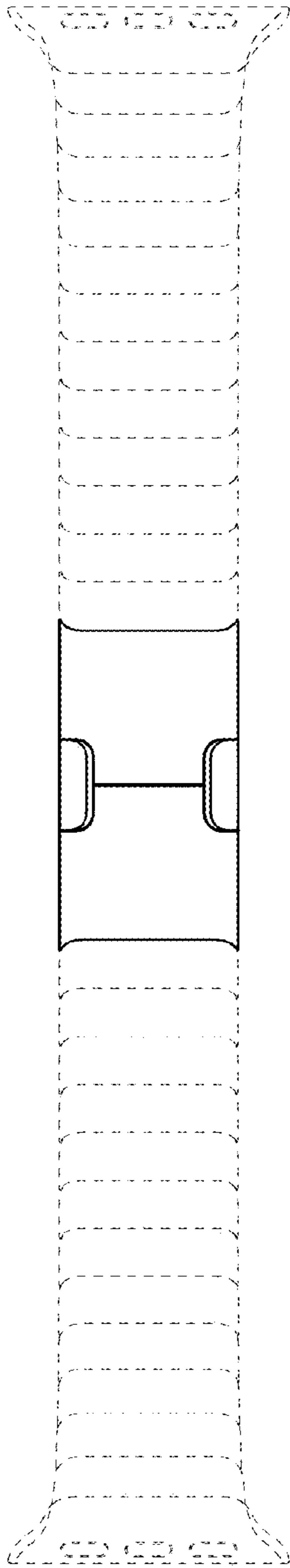


FIG. 3

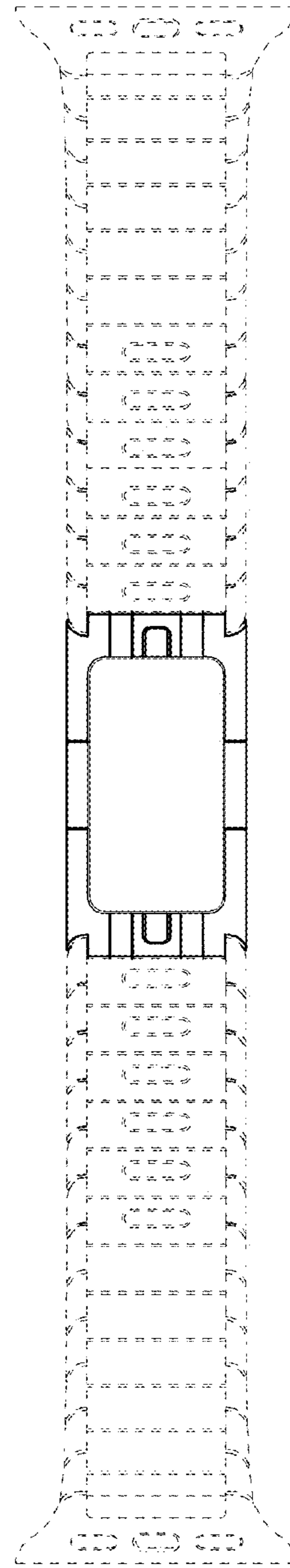


FIG. 4

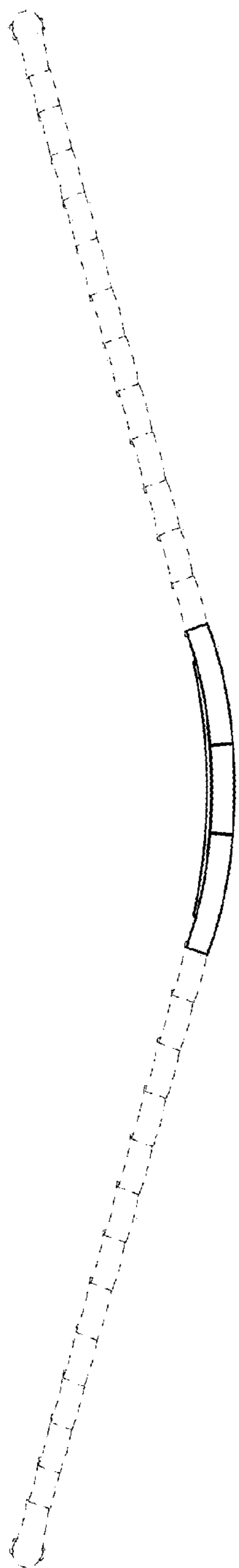


FIG. 5

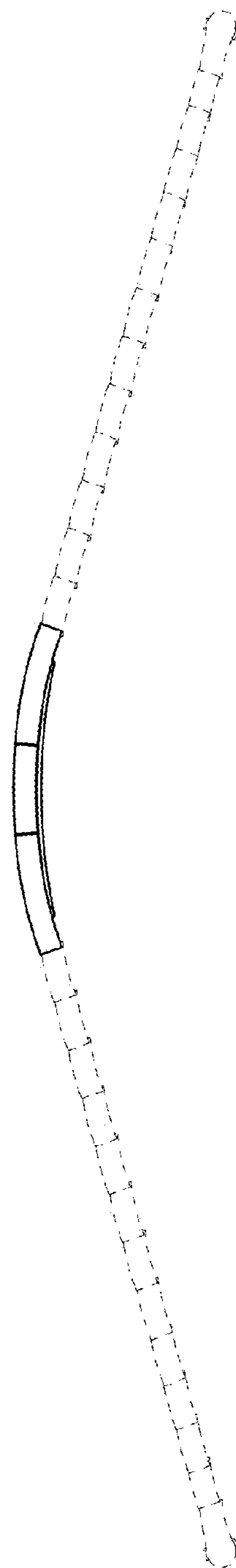


FIG. 6

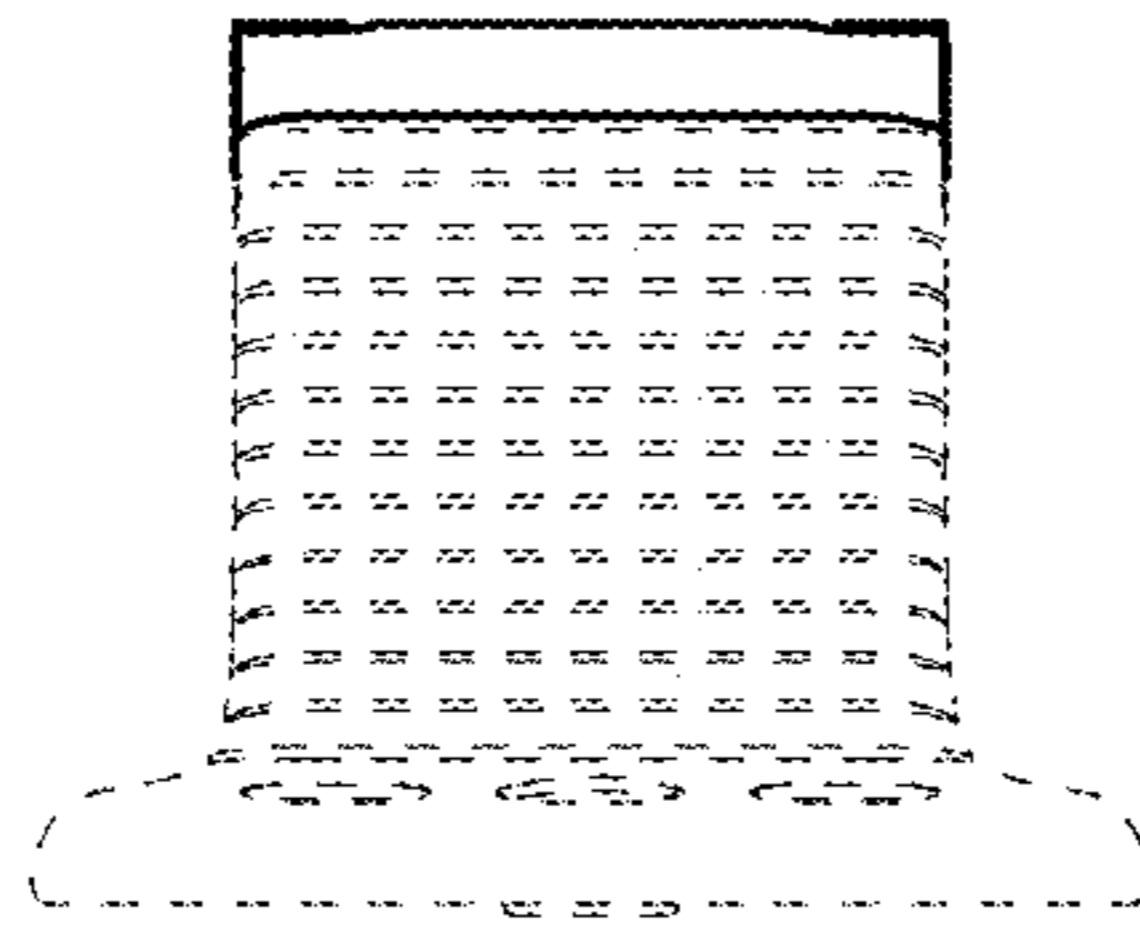


FIG. 7

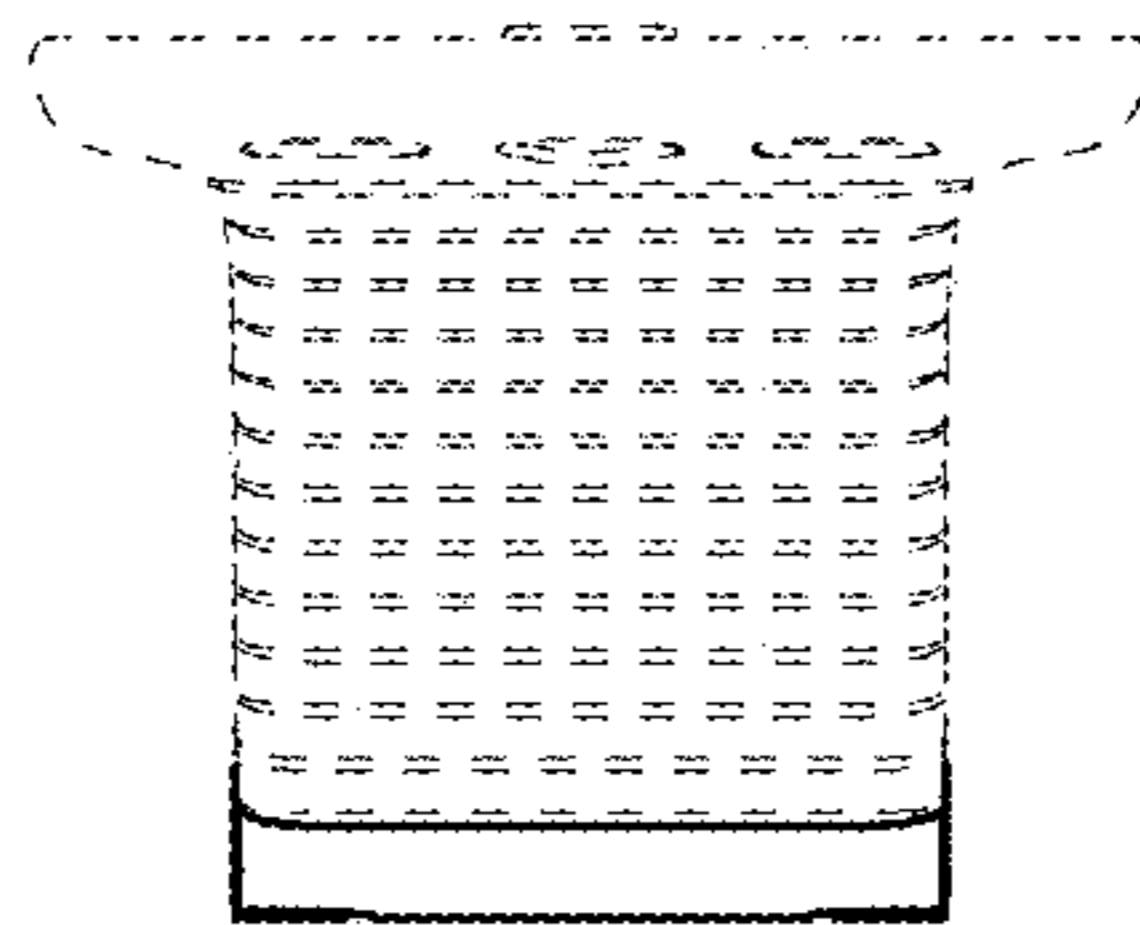


FIG. 8

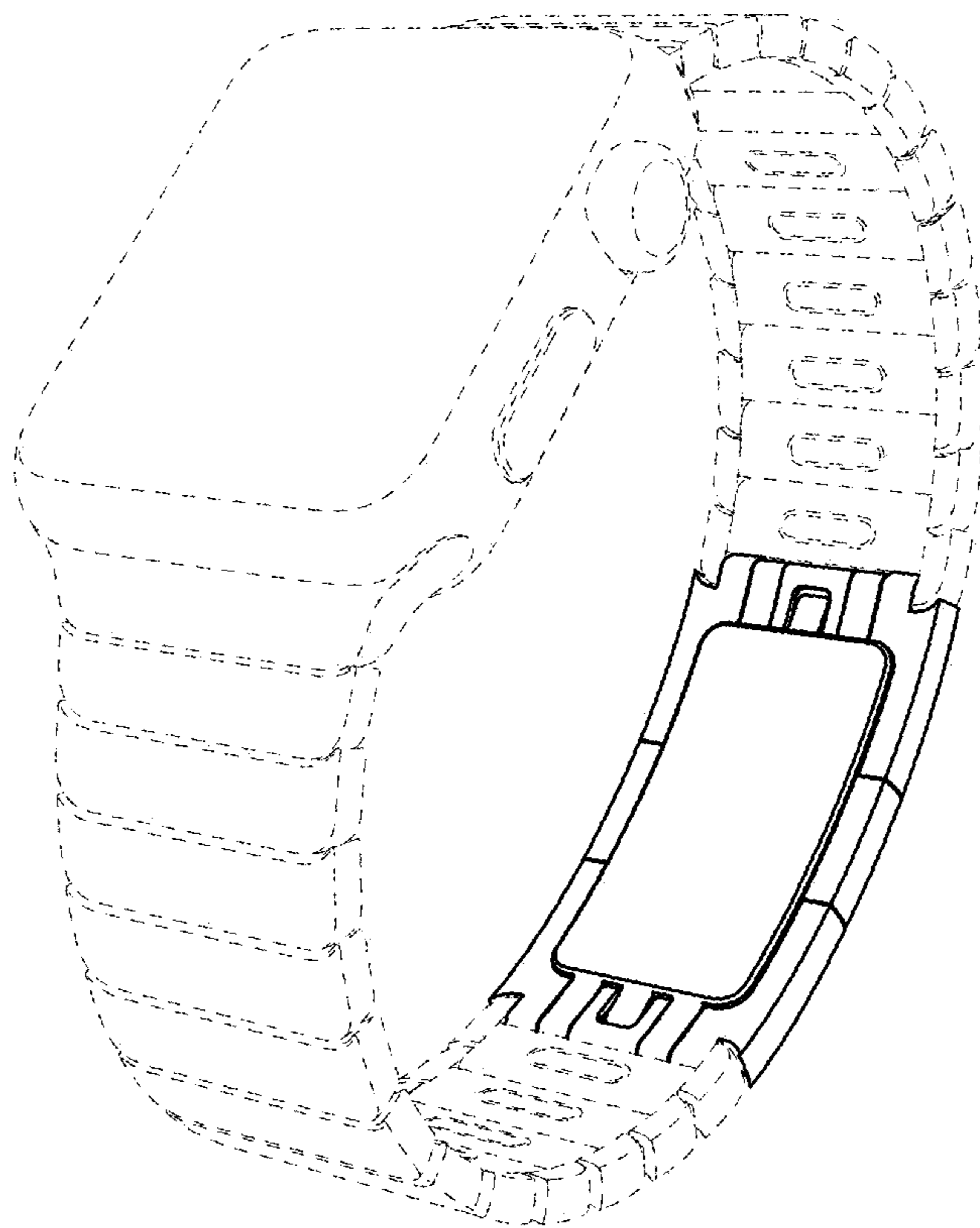


FIG. 9