



US00D755070S

(12) **United States Design Patent**  
**Akana et al.**

(10) **Patent No.:** **US D755,070 S**  
(45) **Date of Patent:** **\*\* May 3, 2016**

(54) **BAND**

(71) Applicant: **Apple Inc.**, Cupertino, CA (US)

(72) Inventors: **Jody Akana**, San Francisco, CA (US);  
**Bartley K. Andre**, Palo Alto, CA (US);  
**Shota Aoyagi**, San Francisco, CA (US);  
**Anthony Michael Ashcroft**, San Francisco, CA (US);  
**Jeremy Bataillou**, San Francisco, CA (US);  
**Daniel J. Coster**, San Francisco, CA (US);  
**Daniele De Iuliis**, San Francisco, CA (US);  
**M. Evans Hankey**, San Francisco, CA (US);  
**Julian Hoenig**, San Francisco, CA (US);  
**Richard P. Howarth**, San Francisco, CA (US);  
**Jonathan P. Ive**, San Francisco, CA (US);  
**Duncan Robert Kerr**, San Francisco, CA (US);  
**Marc A. Newson**, London (GB);  
**Matthew Dean Rohrbach**, San Francisco, CA (US);  
**Peter Russell-Clarke**, San Francisco, CA (US);  
**Benjamin Andrew Shaffer**, San Jose, CA (US);  
**Mikael Silvanto**, San Francisco, CA (US);  
**Christopher J. Stringer**, Woodside, CA (US);  
**Eugene Antony Whang**, San Francisco, CA (US);  
**Rico Zörkendörfer**, San Francisco, CA (US)

(73) Assignee: **Apple Inc.**, Cupertino, CA (US)

(\*\*) Term: **15 Years**

(21) Appl. No.: **29/540,216**

(22) Filed: **Sep. 22, 2015**

**Related U.S. Application Data**

(63) Continuation of application No. 29/499,052, filed on Aug. 11, 2014, now Pat. No. Des. 739,780.

(51) **LOC (10) Cl.** ..... **11-01**

(52) **U.S. Cl.**  
USPC ..... **D11/5**

(58) **Field of Classification Search**

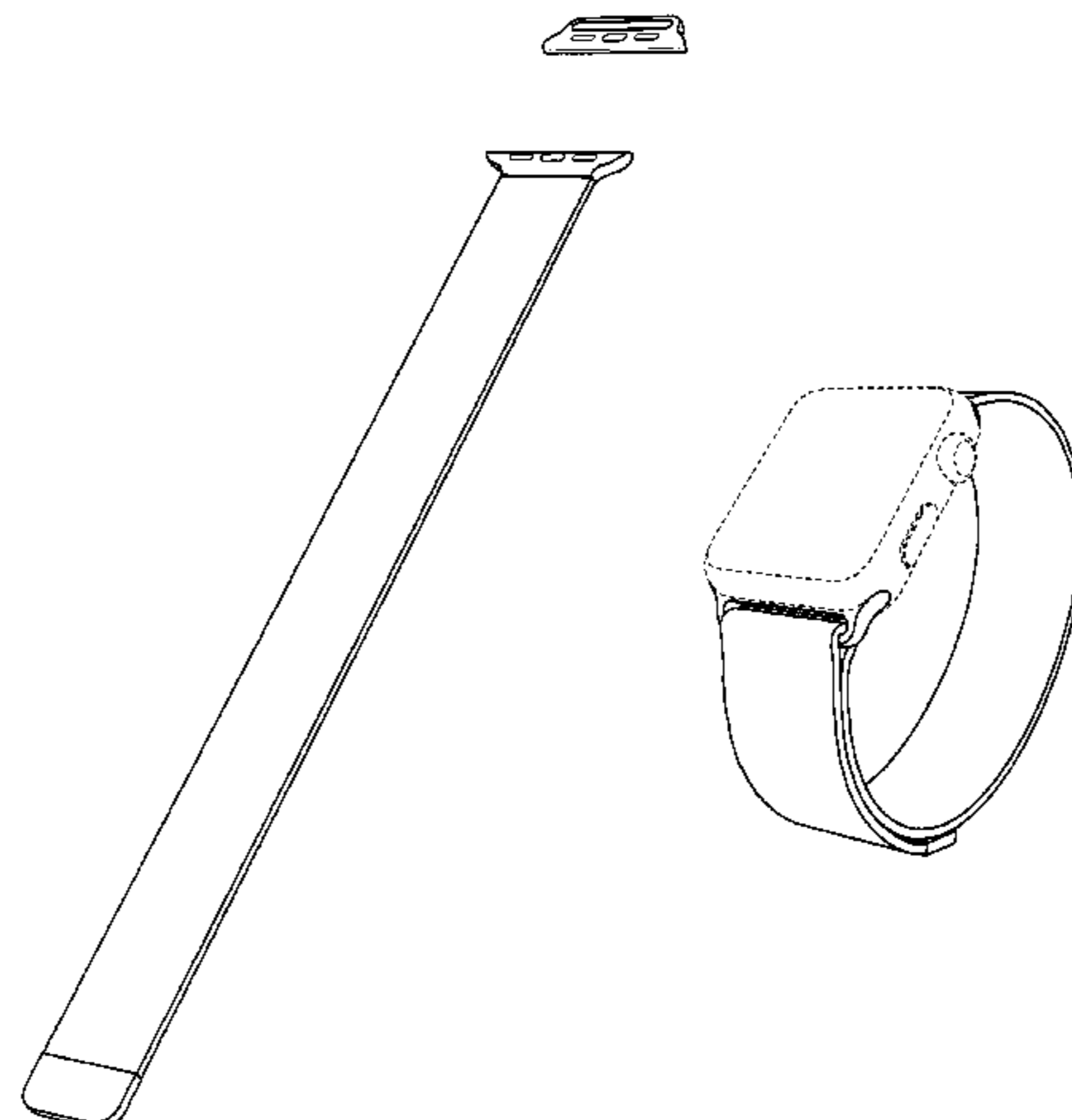
USPC ..... D11/1-25, 86, 93, 94; D10/30-39, 70,  
D10/46; 24/456, 574.1, 587.11, 587.12,  
24/578.15; 600/301; 224/164, 175;  
368/276, 281, 282, 285  
CPC .... G04B 37/1486; G04B 37/16; G04B 37/18;  
A44C 5/14; A44C 5/0053; A44C 5/0069;  
A44C 5/0076; A44C 5/00; A44C 5/0007;  
A44C 5/0015; A44C 5/0023; A44C 5/003;  
A44C 5/0061; A44C 5/12; A44C 5/147;  
A44C 5/18; A44C 5/185

See application file for complete search history.

(56) **References Cited**

**U.S. PATENT DOCUMENTS**

296,505 A	4/1884	Babbitt	
851,288 A	4/1907	Hodges	
1,962,037 A	6/1934	Schofer	
2,451,749 A	10/1948	Kreisler	
2,451,750 A	10/1948	Kreisler et al.	
2,498,211 A	2/1950	Kreisler	
3,030,686 A	4/1962	Burkhardt	
3,665,565 A	5/1972	Kruger	
3,675,284 A	7/1972	Rieth	
4,627,231 A	12/1986	Kiuchi	
D297,123 S	8/1988	Kabaya	
5,201,789 A	4/1993	Fontana	
D343,584 S	1/1994	Olmes et al.	
5,363,351 A	11/1994	Carney	
D356,957 S	4/1995	Burgener	
D390,492 S *	2/1998	Riley	D11/5
D438,812 S	3/2001	Bert	
D459,238 S	6/2002	Wunderman	
D473,818 S	4/2003	Salvisberg	
D494,098 S	8/2004	Cohen	
D534,821 S	1/2007	Chen	
7,406,789 B2 *	8/2008	Story	G09F 3/005 24/133
D588,487 S	3/2009	Hartzband	
D599,680 S	9/2009	Schoepfer	
7,591,581 B2 *	9/2009	Lovegrove	A44C 5/24 368/276
D603,724 S	11/2009	Jorst et al.	
D612,748 S	3/2010	Jorst et al.	
D655,497 S *	3/2012	Stanley	D3/218
8,328,073 B1	12/2012	Smith et al.	
8,601,784 B2	12/2013	Kaltenrieder	
D718,170 S *	11/2014	Aumiller	D10/32



D724,469	S	3/2015	Akana et al.	
D727,197	S	4/2015	Akana et al.	
D727,198	S	4/2015	Akana et al.	
D727,199	S	4/2015	Akana et al.	
D727,787	S	4/2015	Akana et al.	
D728,405	S *	5/2015	Potts	D11/3
D729,674	S *	5/2015	Behar	D10/103
D729,675	S *	5/2015	Behar	D10/103
D731,346	S	6/2015	Akana et al.	
D737,156	S	8/2015	Akana et al.	
D737,157	S	8/2015	Akana et al.	
D737,158	S	8/2015	Akana et al.	
D739,780	S *	9/2015	Akana	D11/3
D740,150	S *	10/2015	Howsam	D11/3
2014/0096345	A1	4/2014	Tschumi	
2014/0098649	A1	4/2014	Tschumi	

FOREIGN PATENT DOCUMENTS

EP	2636328	A1	9/2013
GB	618917	A	3/1949
GB	2082277		6/1999
GB	3005267		8/2002
JP	D1058152		1/2000
JP	D1074246		6/2000
JP	D1124844		10/2001
JP	D1158470		11/2002
JP	D1263841		2/2006
JP	D1320355		1/2008
WO	WO-DM/047140-001		5/1999
WO	WO-DM/048231-004		8/1999
WO	WO-DM/049512-006		12/1999
WO	WO-DM/058718-003		3/2002
WO	WO-DM/064910-005		3/2004
WO	WO-DM/068702-001		9/2007
WO	WO-DM/076656-001		9/2011
WO	WO-DM/080373-001		3/2013
WO	WO-DM/080997-001		6/2013
WO	WO-2013182397	A1	12/2013

OTHER PUBLICATIONS

22mm Interlocking Stainless Steel Mesh Divers Watch Band Bracelet, XX, &It;<http://www.strapcode.com/store/22mm-interlocking-stainless-steel-mesh-divers-watch-band-bracelet-p-1255.html>>, accessed on Dec. 4, 2014.

28mm Reform Stainless Steel “Shark” Polished Mesh Watch Band Deployant Strap, &It;[http://www.ebay.com/itm/28mm-Reform-Stainless-Steel-SHARK-Polished-Mesh-Watch-Band-Deployant-Strap-/231397551849?pt=US\\_Watch\\_Bands&hash=item35e05e6ee9](http://www.ebay.com/itm/28mm-Reform-Stainless-Steel-SHARK-Polished-Mesh-Watch-Band-Deployant-Strap-/231397551849?pt=US_Watch_Bands&hash=item35e05e6ee9)>, accessed Dec. 4, 2014.

Adams, Ariel, “Max Bill by Junghans Watches For 2010,” A Blog to Watch.com, &It;<http://www.ablogtowatch.com/max-bill-by-junghans-watches-for-2010/>>, dated Mar. 25, 2010.

Fitbit, “Fitbit Surge 198 Fitness Super Watch” &It;<https://www.fitbit.com/surge>>, accessed Dec. 15, 2014.

Hadley Roma, Hadley-Roma Men’s MB3836RWSE 20 20-mm Stainless Steel Heavy Mesh Watch Strap, &It;[http://www.amazon.com/Hadley-Roma-MB3836RWSE-20-20-mm-Stainless/dp/B005EJFWFA/ref=sr\\_1\\_213?ie=UTF8&qid=1416670549&sr=8-213&keywords=watch+band](http://www.amazon.com/Hadley-Roma-MB3836RWSE-20-20-mm-Stainless/dp/B005EJFWFA/ref=sr_1_213?ie=UTF8&qid=1416670549&sr=8-213&keywords=watch+band)>, accessed Dec. 4, 2014.

Haedges, “1 Set Silver End Cap Clasp—Findings Large Toggle Clasp End Caps Buckle Connector with Five Inside Loops for Jewelry Making 26mm,” &It;<http://www.etsy.com/listing/101269004/1-set-silver-end-cap-clasp-findings?ref=market>>, Listed on Aug. 29, 2014, accessed Oct. 9, 2014.

Homego, “M6 Silver Smart Watch Cell Phone 1.54 inch Bluetooth 3.0 Dialer Outdoor Sports Pedometer,” amazon.com, &It;<http://www.amazon.com/Silver-Bluetooth-Dialer-Outdoor-Pedometer/dp/B00MQTBGK6>>, accessed Dec. 15, 2014.

[Online] [https://lh6.googleusercontent.com/zOUR6N5g8fH1ouyyCpI7PGTLCMGI\\_hor1fADdMLMKdwxbhVSU1zk-xdirsUk-KxTsHxN\\_In6WDNHZLo8HNhjGB7GWEXqtMA5bngmvH\\_MByEitDmuAc0TuFk86vYCArcw](https://lh6.googleusercontent.com/zOUR6N5g8fH1ouyyCpI7PGTLCMGI_hor1fADdMLMKdwxbhVSU1zk-xdirsUk-KxTsHxN_In6WDNHZLo8HNhjGB7GWEXqtMA5bngmvH_MByEitDmuAc0TuFk86vYCArcw). Retrieved Feb. 17, 2015.

[Online] [https://s.yimg.com/cd/resizer/2.0/FIT\\_TO\\_WIDTH-w500/8088fe4930fb9d97123f776d1cdcb7ca585d7485.jpg](https://s.yimg.com/cd/resizer/2.0/FIT_TO_WIDTH-w500/8088fe4930fb9d97123f776d1cdcb7ca585d7485.jpg). Retrieved Feb. 17, 2015.

Ruano, L., “Ikepod Solaris Watch by Marc Newson,” Hypebeast.com, &It;<http://hypebeast.com/2009/1/ikepod-solaris-watch-by-marc-newson>>, dated Jan. 12, 2009.

Samsung, “Samsung Gear™ 2 Charcoal Black SM-R3800VSAXAR,” &It;<http://www.samsung.com/us/mobile/wearable-tech/SM-R3800VSAXAR>>, accessed Dec. 15, 2014.

The Alt Team, “Ziiiro Celeste Watch Hands-On”, Dec. 12, 2012, &It;<http://www.gadgetmac.com/alt/ziiiro-celeste-watch-hands-on.html>>, accessed Dec. 4, 2014.

Design U.S. Appl. No. 29/498,987, filed Aug. 11, 2014.

Design U.S. Appl. No. 29/499,061, filed Aug. 11, 2014.

Design U.S. Appl. No. 29/499,067, filed Aug. 11, 2014.

Design U.S. Appl. No. 29/499,068, filed Aug. 11, 2014.

Design U.S. Appl. No. 29/499,069, filed Aug. 11, 2014.

Design U.S. Appl. No. 29/499,081, filed Aug. 11, 2014.

Design U.S. Appl. No. 29/499,082, filed Aug. 11, 2014.

Design U.S. Appl. No. 29/499,090, filed Aug. 11, 2014.

Design U.S. Appl. No. 29/501,152, filed Sep. 2, 2014.

Design U.S. Appl. No. 29/501,624, filed Sep. 5, 2014.

Design U.S. Appl. No. 29/501,720, filed Sep. 8, 2014.

Design U.S. Appl. No. 29/501,722, filed Sep. 8, 2014.

Design U.S. Appl. No. 29/501,723, filed Sep. 8, 2014.

Design U.S. Appl. No. 29/501,733, filed Sep. 8, 2014.

Design U.S. Appl. No. 29/501,737, filed Sep. 8, 2014.

Design U.S. Appl. No. 29/501,746, filed Sep. 8, 2014.

Design U.S. Appl. No. 29/501,759, filed Sep. 8, 2014.

Design U.S. Appl. No. 29/501,760, filed Sep. 8, 2014.

Design U.S. Appl. No. 29/501,766, filed Sep. 8, 2014.

Design U.S. Appl. No. 29/501,772, filed Sep. 8, 2014.

\* cited by examiner

*Primary Examiner* — Garth Rademaker  
*Assistant Examiner* — Melanie Pellegrini  
 (74) *Attorney, Agent, or Firm* — Sterne, Kessler, Goldstein & Fox P.L.L.C.

(57) **CLAIM**  
 The ornamental design for a band, as shown and described.

**DESCRIPTION**

FIG. 1 is a bottom front perspective view of a band showing our new design;  
 FIG. 2 is a bottom rear perspective view thereof;  
 FIG. 3 is a front view thereof;  
 FIG. 4 is a rear view thereof;  
 FIG. 5 is a left side view thereof;  
 FIG. 6 is a right side view thereof;  
 FIG. 7 is a top view thereof;  
 FIG. 8 is a bottom view thereof; and,  
 FIG. 9 is a perspective view thereof showing the band in an environment in which it may be used.  
 The broken lines in FIG. 9 show environment that forms no part of the claimed design.

**1 Claim, 6 Drawing Sheets**



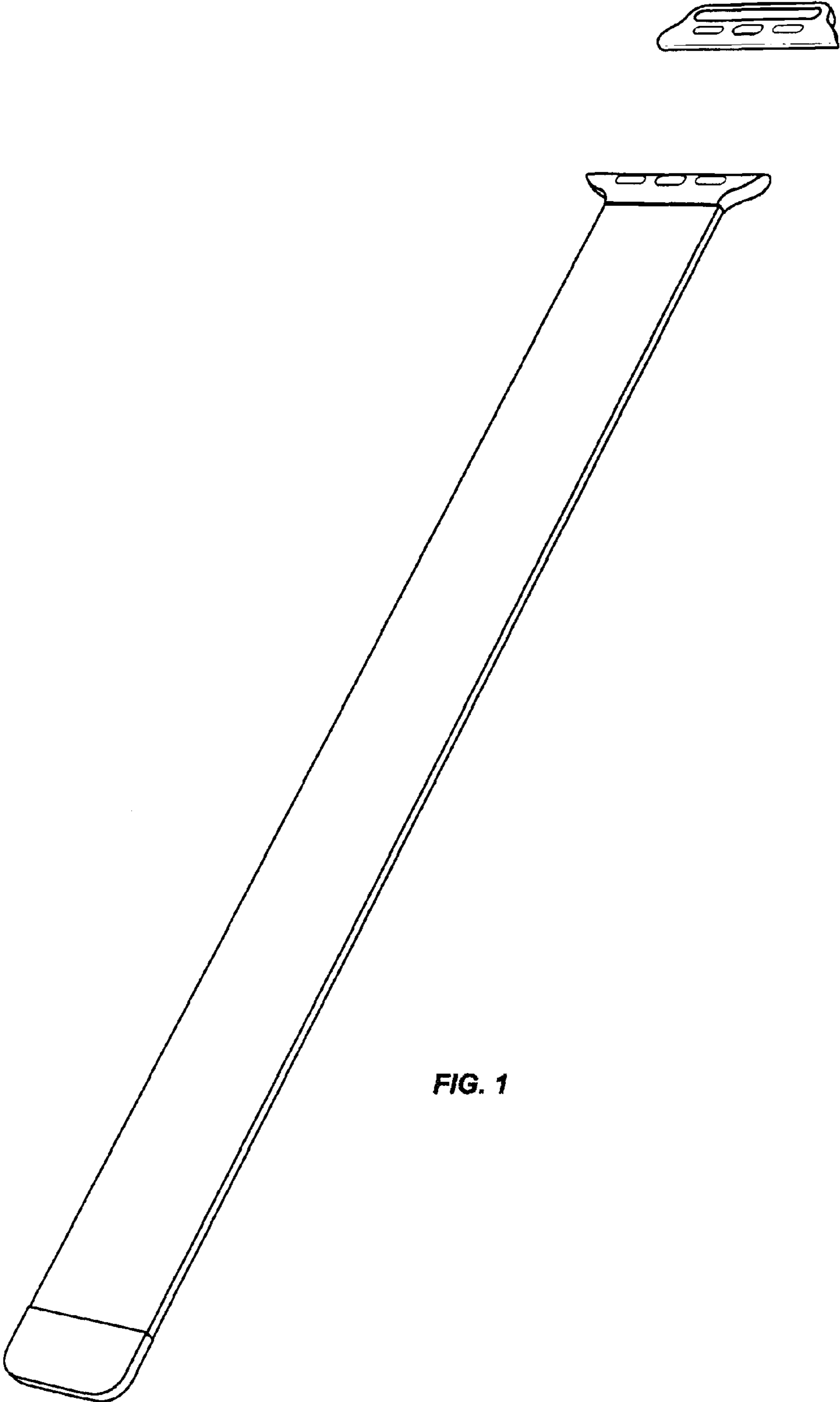


FIG. 1

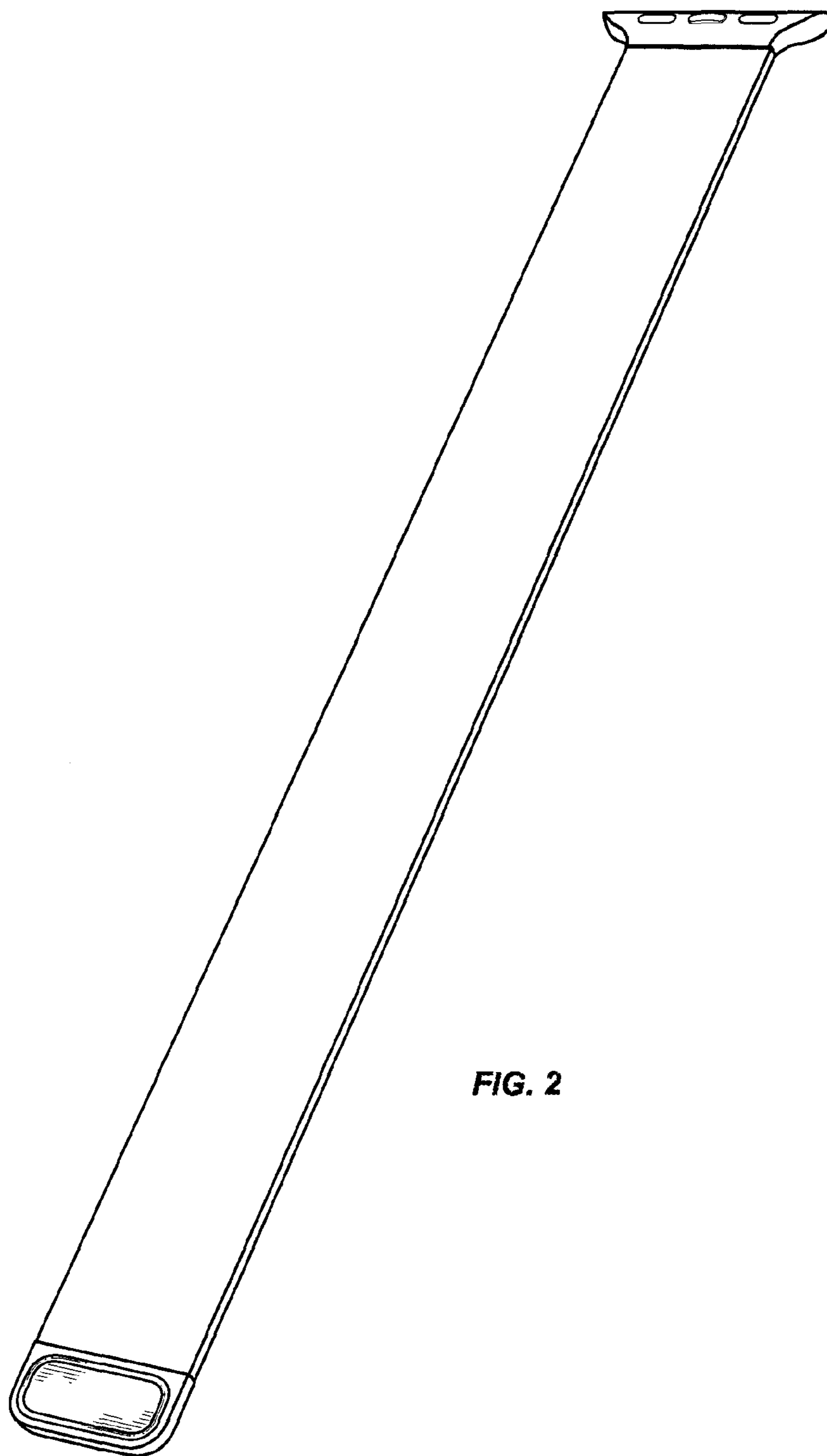
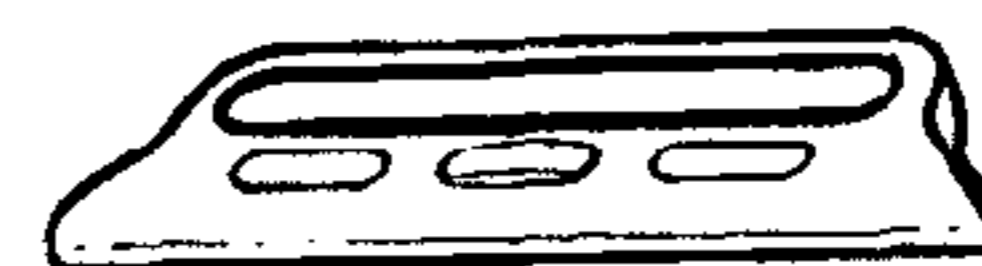


FIG. 2

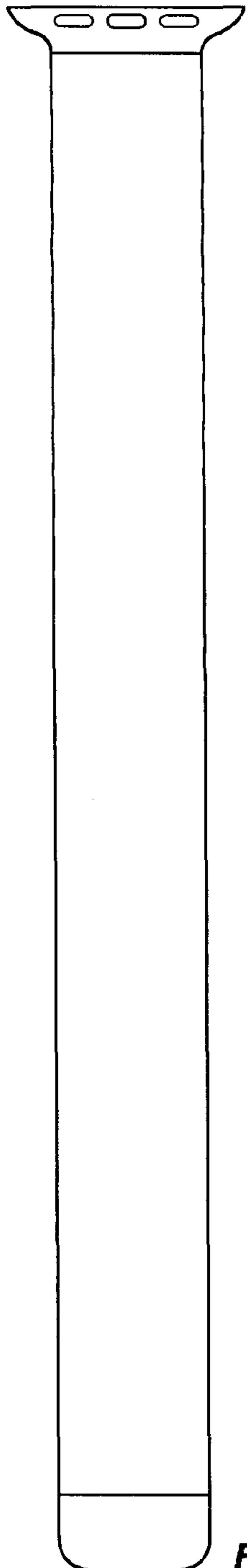


FIG. 3

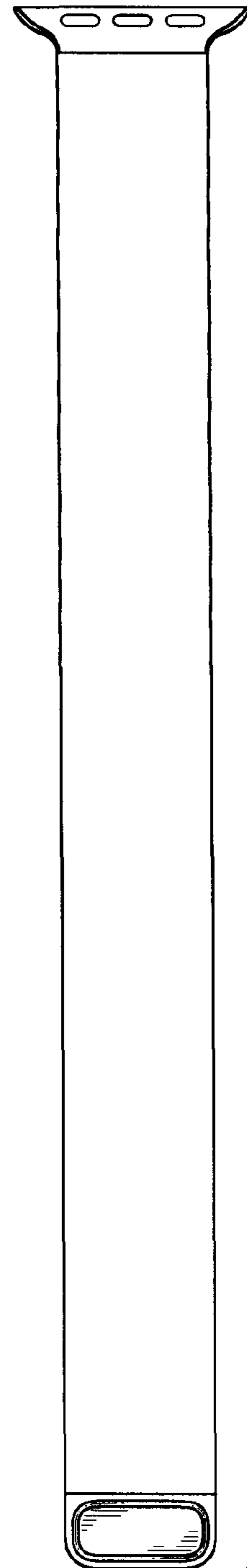


FIG. 4



**FIG. 5**



**FIG. 6**



**FIG. 7**



**FIG. 8**

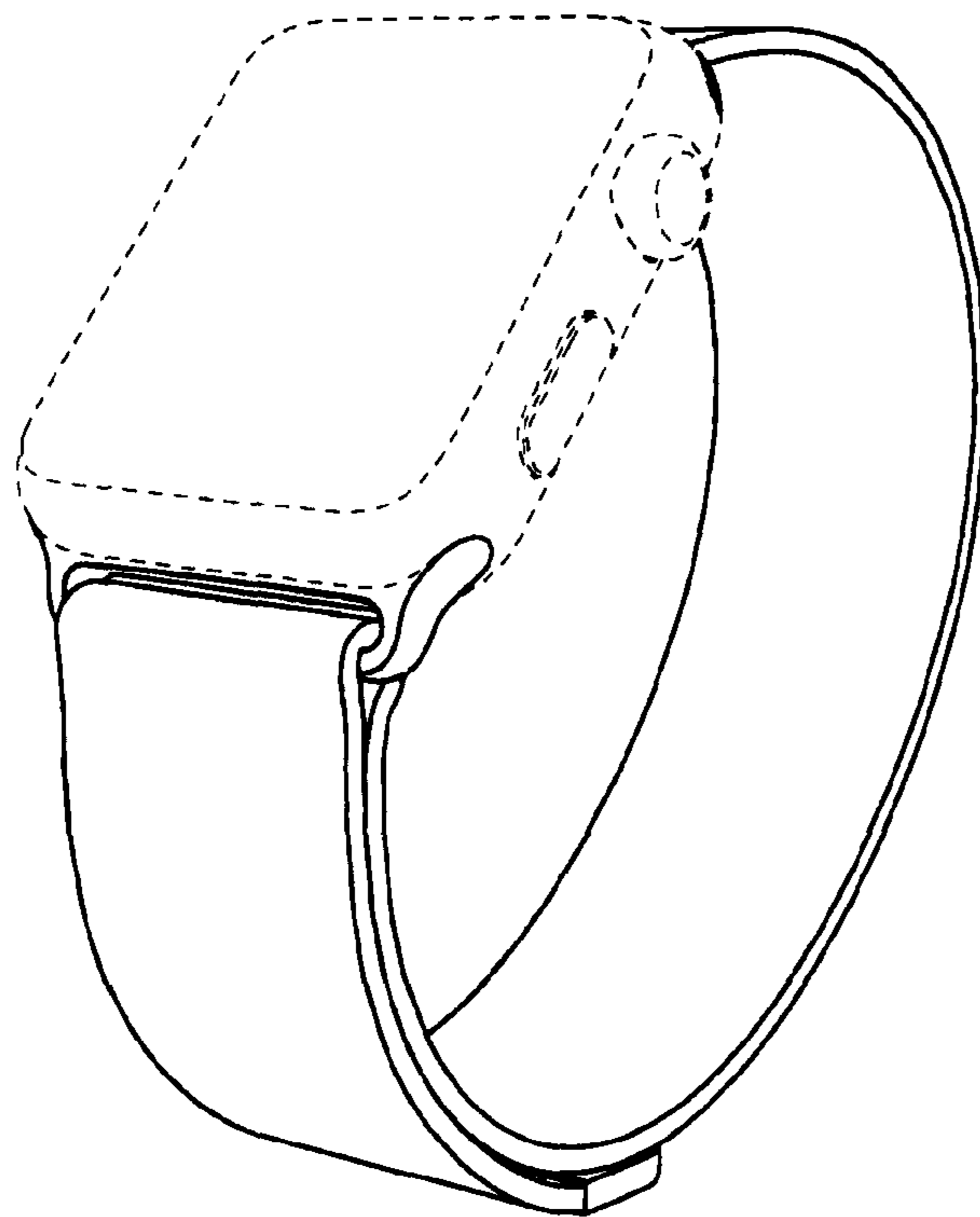


FIG. 9