



US00D755068S

(12) **United States Design Patent**
Treadwell et al.

(10) **Patent No.:** **US D755,068 S**
(45) **Date of Patent:** **** May 3, 2016**

(54) **SENSOR**

(56) **References Cited**

(71) Applicants: **Simon Treadwell**, Toronto (CA);
Sabolch Feigler, Mississauga (CA);
Marc Hoffknecht, Newmarket (CA)

(72) Inventors: **Simon Treadwell**, Toronto (CA);
Sabolch Feigler, Mississauga (CA);
Marc Hoffknecht, Newmarket (CA)

(73) Assignee: **OSRAM SYLVANIA Inc.**, Wilmington,
MA (US)

(**) Term: **14 Years**

(21) Appl. No.: **29/512,454**

(22) Filed: **Dec. 18, 2014**

Related U.S. Application Data

(62) Division of application No. 29/486,431, filed on Mar.
28, 2014, now Pat. No. Des. 723,961.

(51) **LOC (10) Cl.** **10-05**

(52) **U.S. Cl.**
USPC **D10/106.6**

(58) **Field of Classification Search**
USPC D10/106.6, 104.1, 106.5, 70; D16/203
CPC A63H 33/28

See application file for complete search history.

U.S. PATENT DOCUMENTS

D374,189 S *	10/1996	Hubben	D10/106.6
5,620,351 A *	4/1997	Ho	A63H 33/28 446/15
D416,273 S *	11/1999	Yamakawa	D16/203
D552,501 S *	10/2007	Lin	D10/104.1
D653,575 S *	2/2012	Treharne	D10/106.5
D662,846 S *	7/2012	Ni	D10/106.6
D664,456 S *	7/2012	Trine	D10/70
D678,097 S *	3/2013	Elwell	D10/106.6
D723,961 S *	3/2015	Treadwell	D10/106.5

* cited by examiner

Primary Examiner — George D Kirschbaum

(74) *Attorney, Agent, or Firm* — Shaun P. Montana

(57) **CLAIM**

The ornamental design for a sensor, as shown and described.

DESCRIPTION

The present application is also related to co-pending Design U.S. patent application Ser. No. 29/512,453, entitled “sensor”, and to co-pending Design U.S. patent application Ser. No. 29/512,455, entitled “sensor”, filed simultaneously herewith.

FIG. 1 is a perspective view of an embodiment of the ornamental design of a sensor.

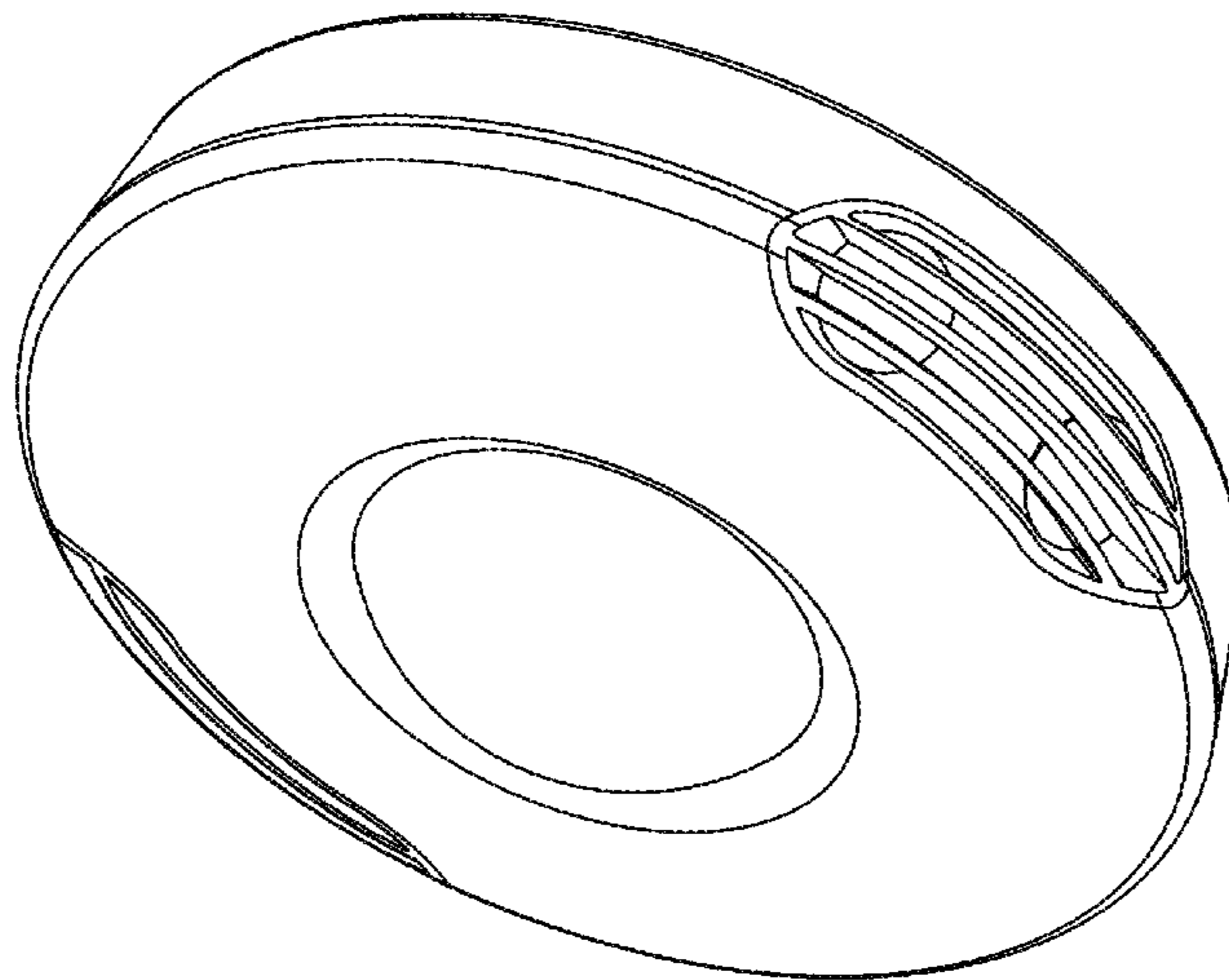
FIG. 2 is a bottom view of an embodiment of the ornamental design of the sensor of FIG. 1.

FIG. 3 is a top view of an embodiment of the ornamental design of the sensor of FIG. 1.

FIG. 4 is a side view of an embodiment of the ornamental design of the sensor of FIG. 1; and,

FIG. 5 is a front/back view of an embodiment of the ornamental design of the sensor of FIG. 1.

1 Claim, 4 Drawing Sheets



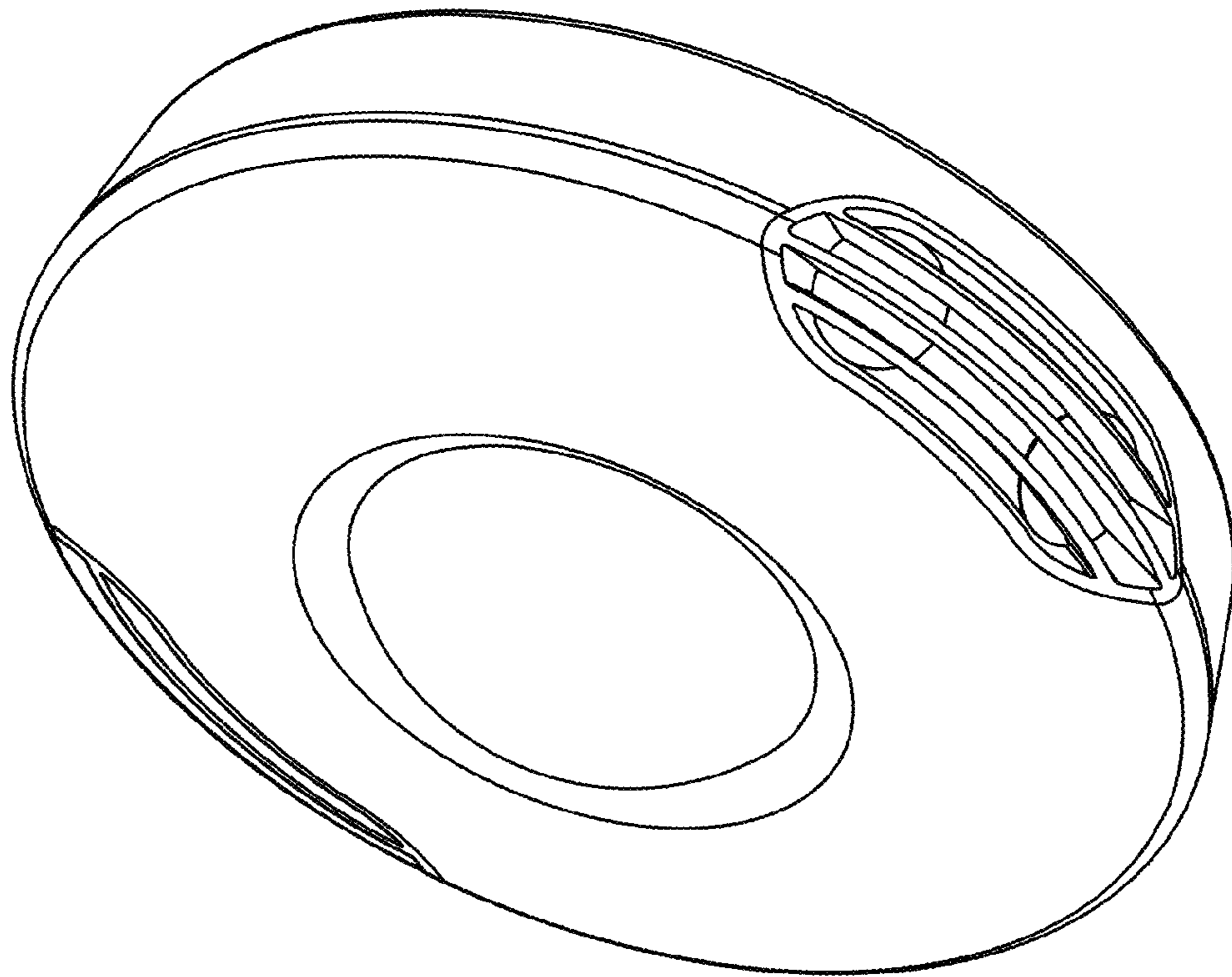


FIG. 1

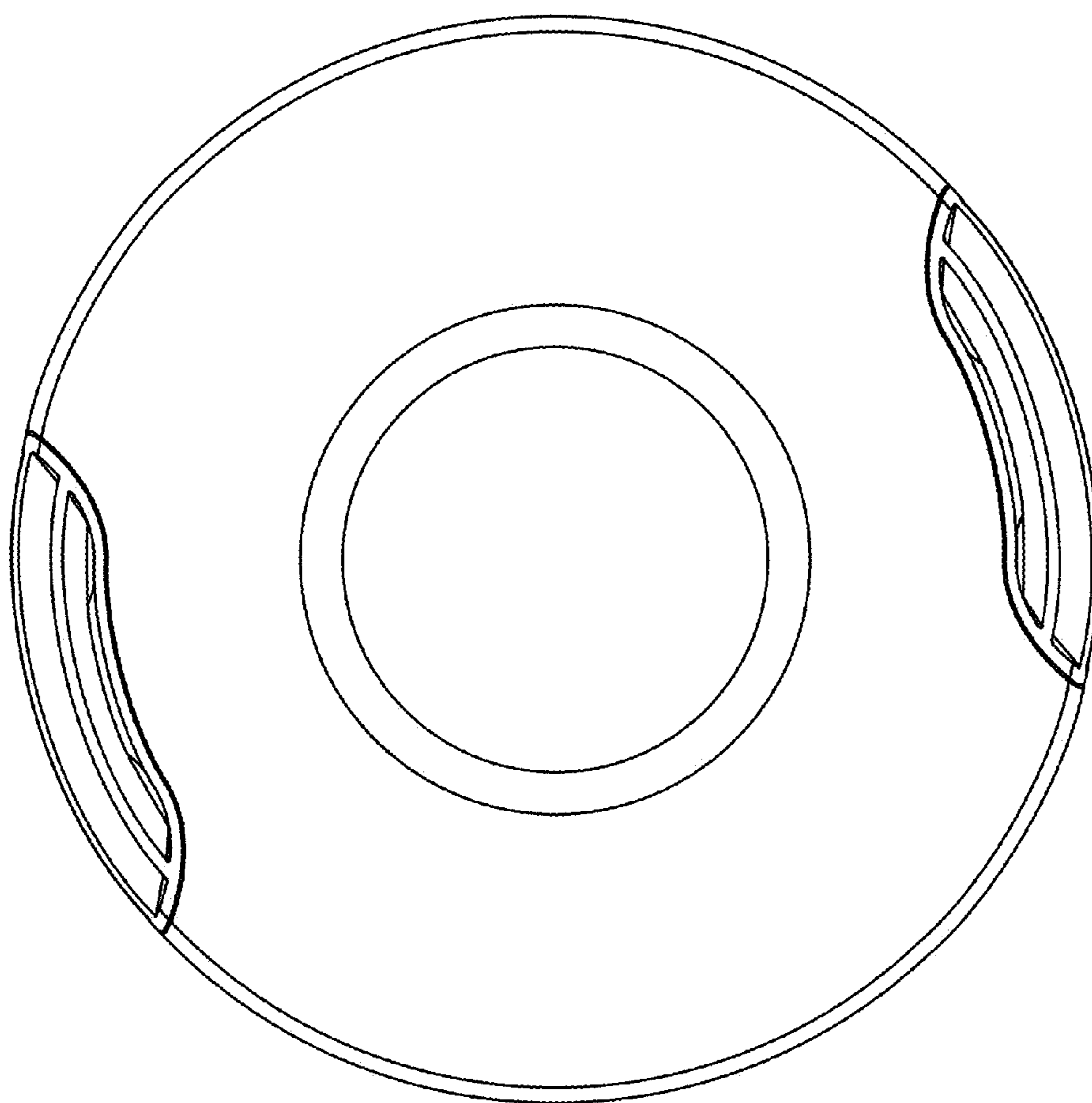


FIG. 2

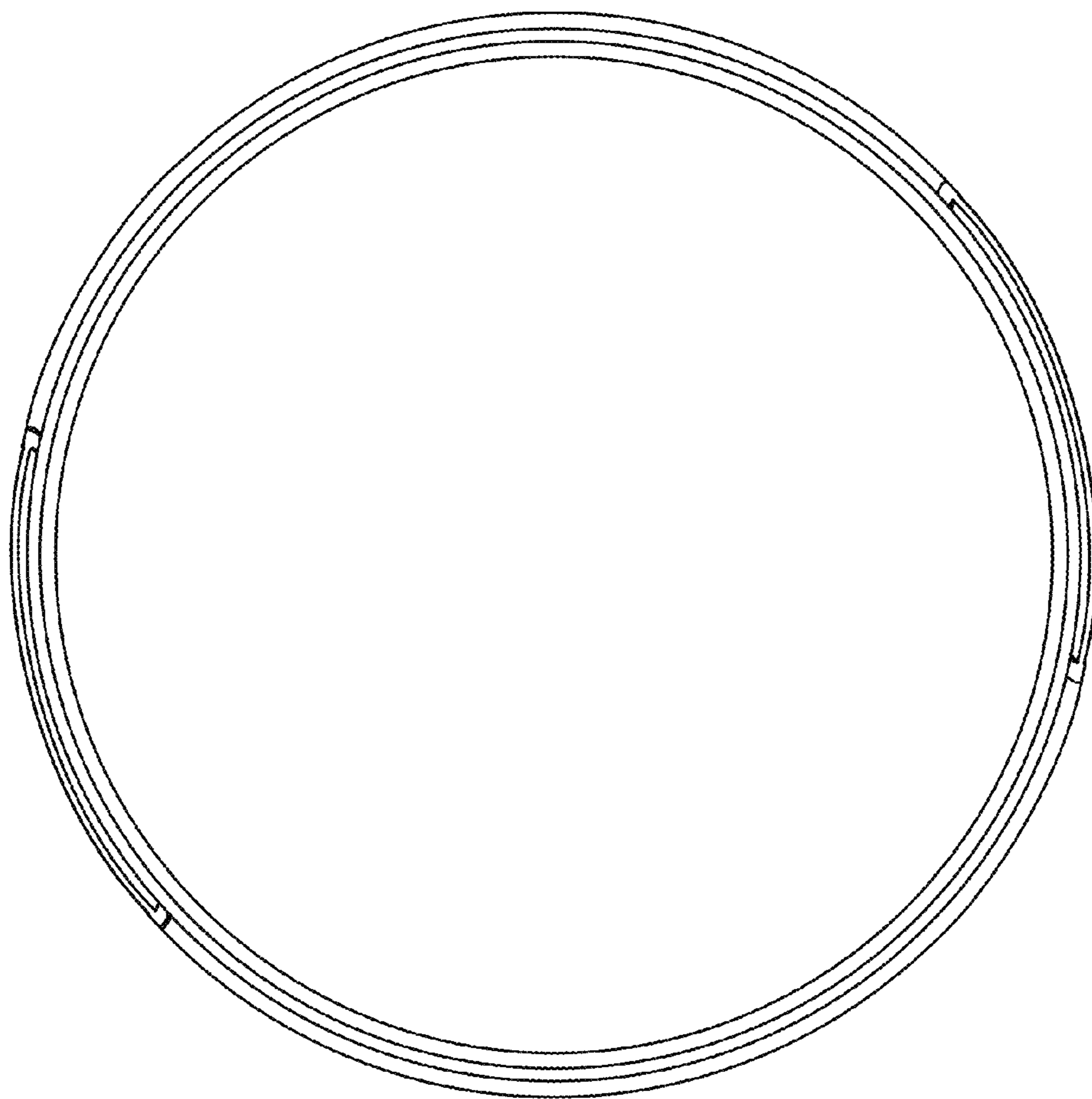


FIG. 3

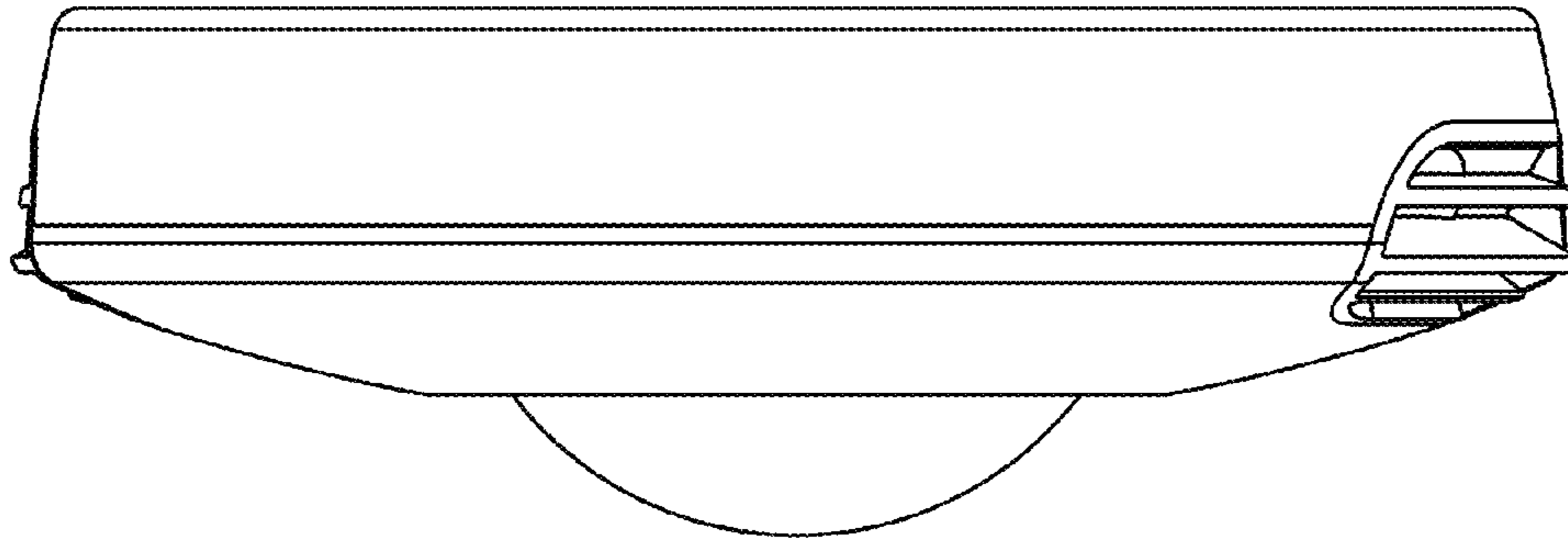


FIG. 4

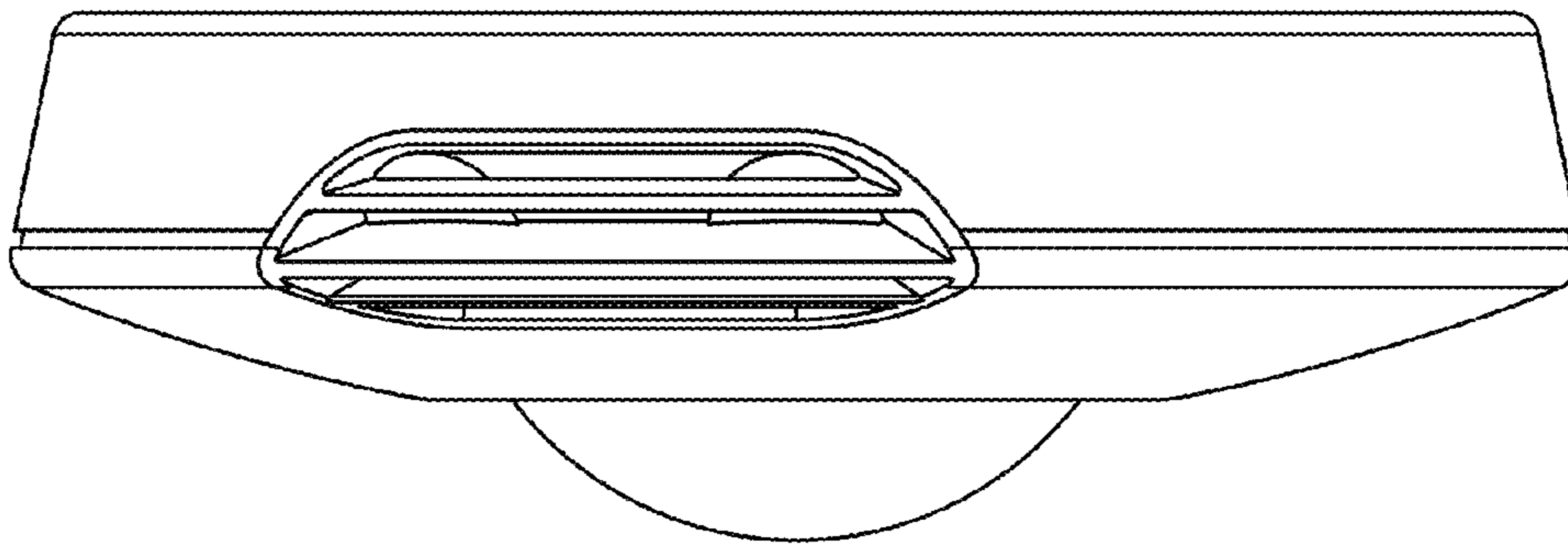


FIG. 5