



US00D755066S

(12) **United States Design Patent**
Kopansky et al.

(10) **Patent No.:** **US D755,066 S**

(45) **Date of Patent:** **** May 3, 2016**

(54) **VISUAL INDICATOR WITH SENSOR**

(56) **References Cited**

U.S. PATENT DOCUMENTS

(71) Applicant: **Eaton Corporation**, Cleveland, OH
(US)

D495,265	S	*	8/2004	Kim	D10/101
D519,867	S	*	5/2006	Kim	D10/101
D551,182	S	*	9/2007	Furukawa et al.	D10/101
D694,661	S	*	12/2013	Vinnage et al.	D10/101
2014/0264098	A1	*	9/2014	Wu et al.	250/577

(72) Inventors: **Gregory Kopansky**, Philadelphia, PA
(US); **Rolland Tracy James**,
Collingswood, NJ (US); **George Patrick
Birch**, Turnersville, NJ (US); **Michael
John Knox**, Shamong, NJ (US)

* cited by examiner

Primary Examiner — Antoine D Davis

(74) *Attorney, Agent, or Firm* — Benesch, Friedlander,
Coplan & Aronoff, LLP

(73) Assignee: **Eaton Corporation**, Cleveland, OH
(US)

(57) **CLAIM**

What is claimed is the ornamental design for a visual indica-
tor with sensor, as shown and described.

DESCRIPTION

(**) Term: **14 Years**

FIG. 1 is a perspective view of a visual indicator with sensor
showing a new design;

(21) Appl. No.: **29/517,220**

FIG. 2 is a front view of the visual indicator with sensor of
FIG. 1;

(22) Filed: **Feb. 11, 2015**

FIG. 3 is a side view of the visual indicator with sensor of FIG.
1;

(51) **LOC (10) Cl.** **10-04**

(52) **U.S. Cl.**

USPC **D10/101**

(58) **Field of Classification Search**

USPC D10/101

CPC . G01F 23/02; G01F 23/2922; G01F 23/2925;

G01F 23/2921; G01F 23/2924; G01F 23/2927;

G01F 23/2928

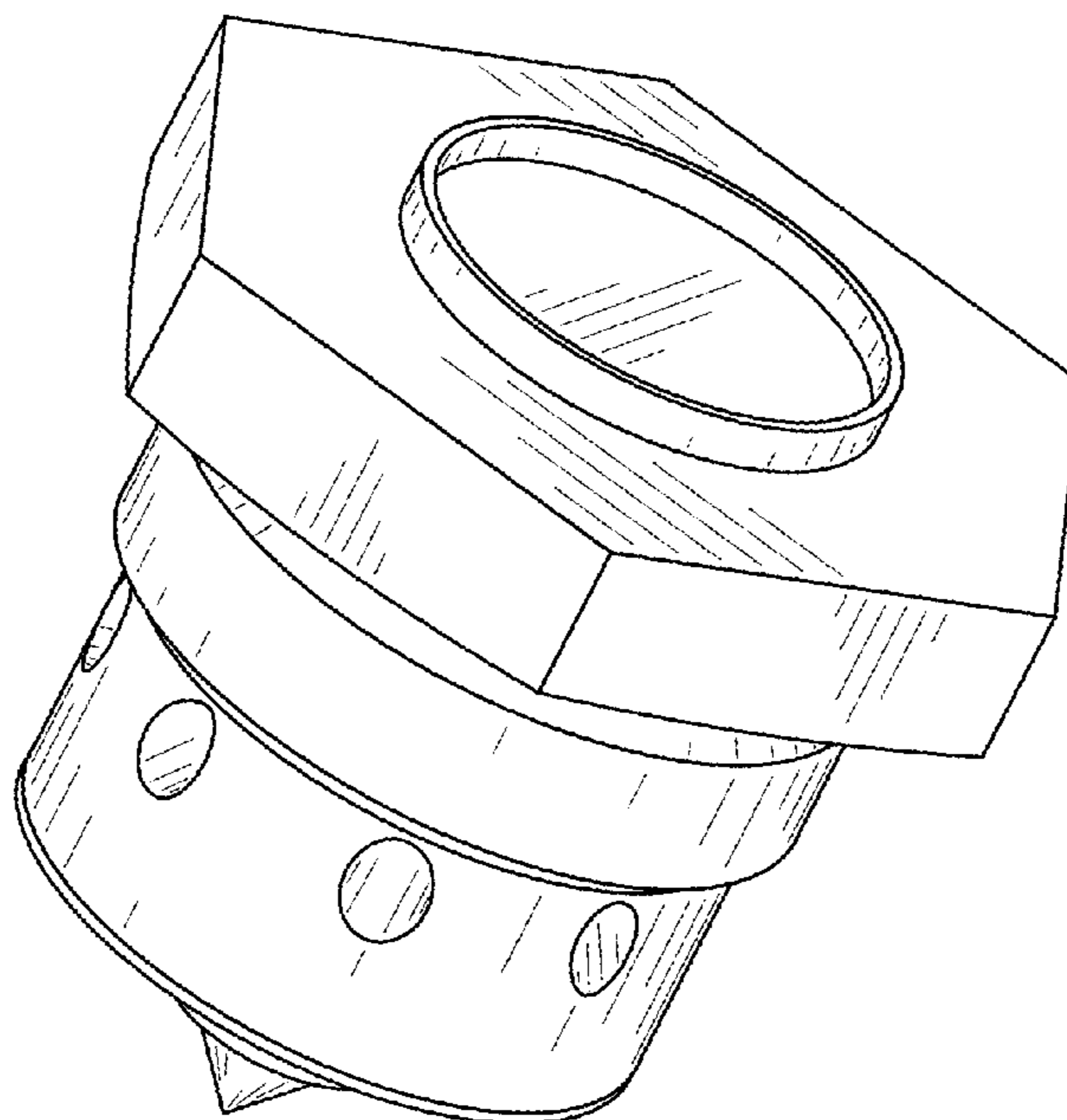
FIG. 4 is a top view of the visual indicator with sensor of FIG.
1; and,

FIG. 5 is a bottom view of the visual indicator with sensor of
FIG. 1.

The components of the display shown in broken lines illus-
trate portions of the visual indicator with sensor which form
no part of the claimed design.

See application file for complete search history.

1 Claim, 2 Drawing Sheets



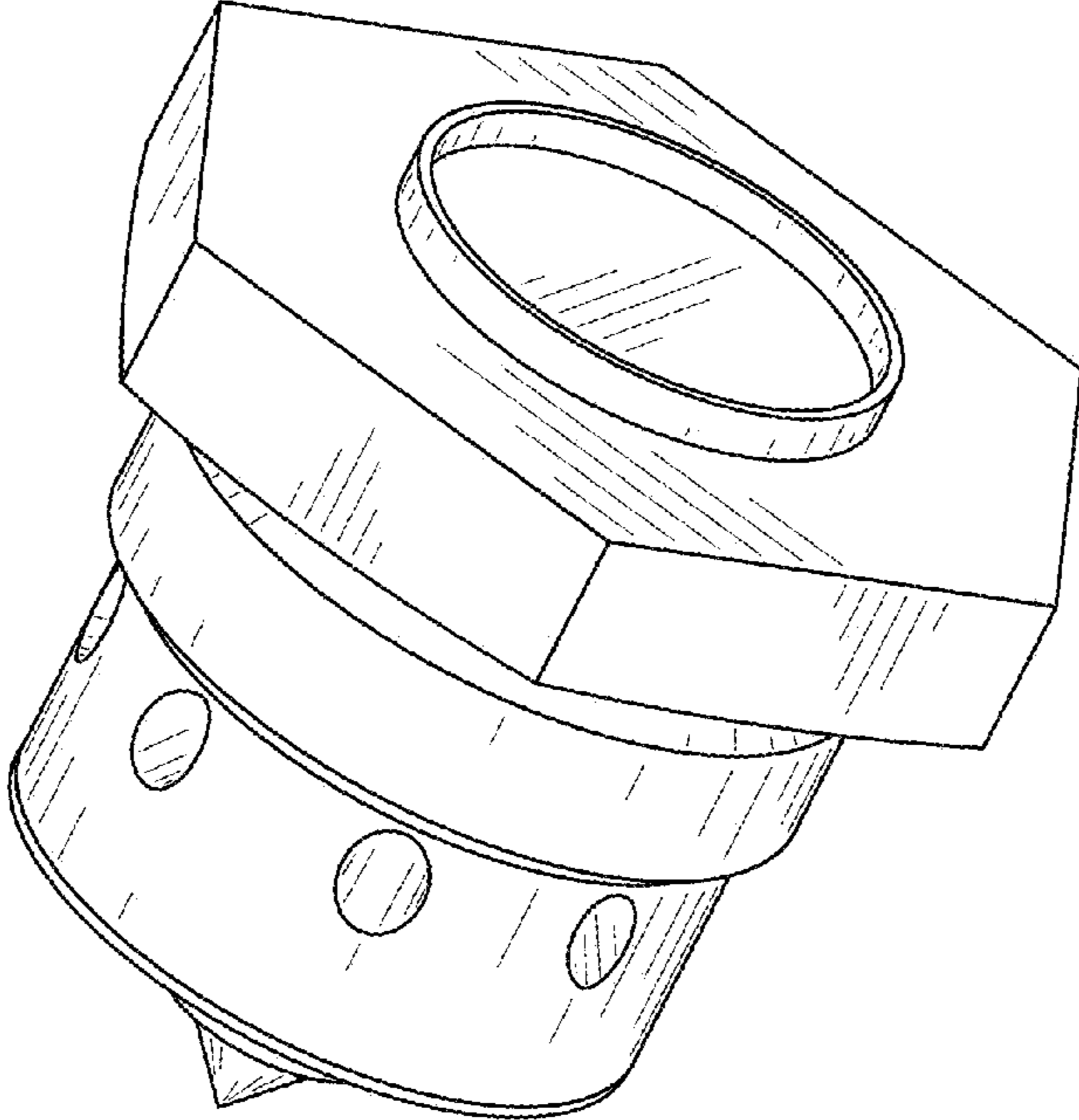


FIG. 1

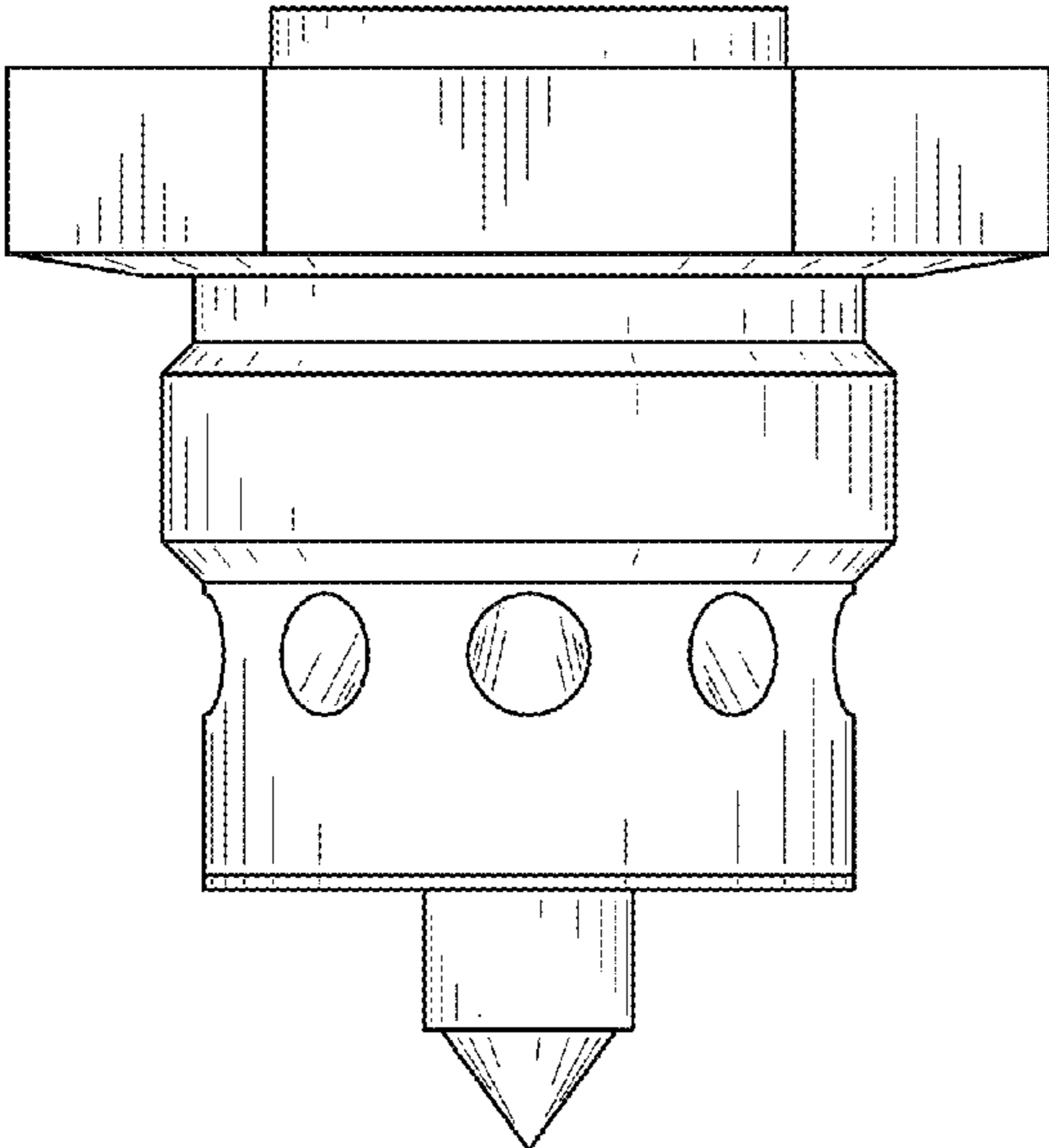


FIG. 2

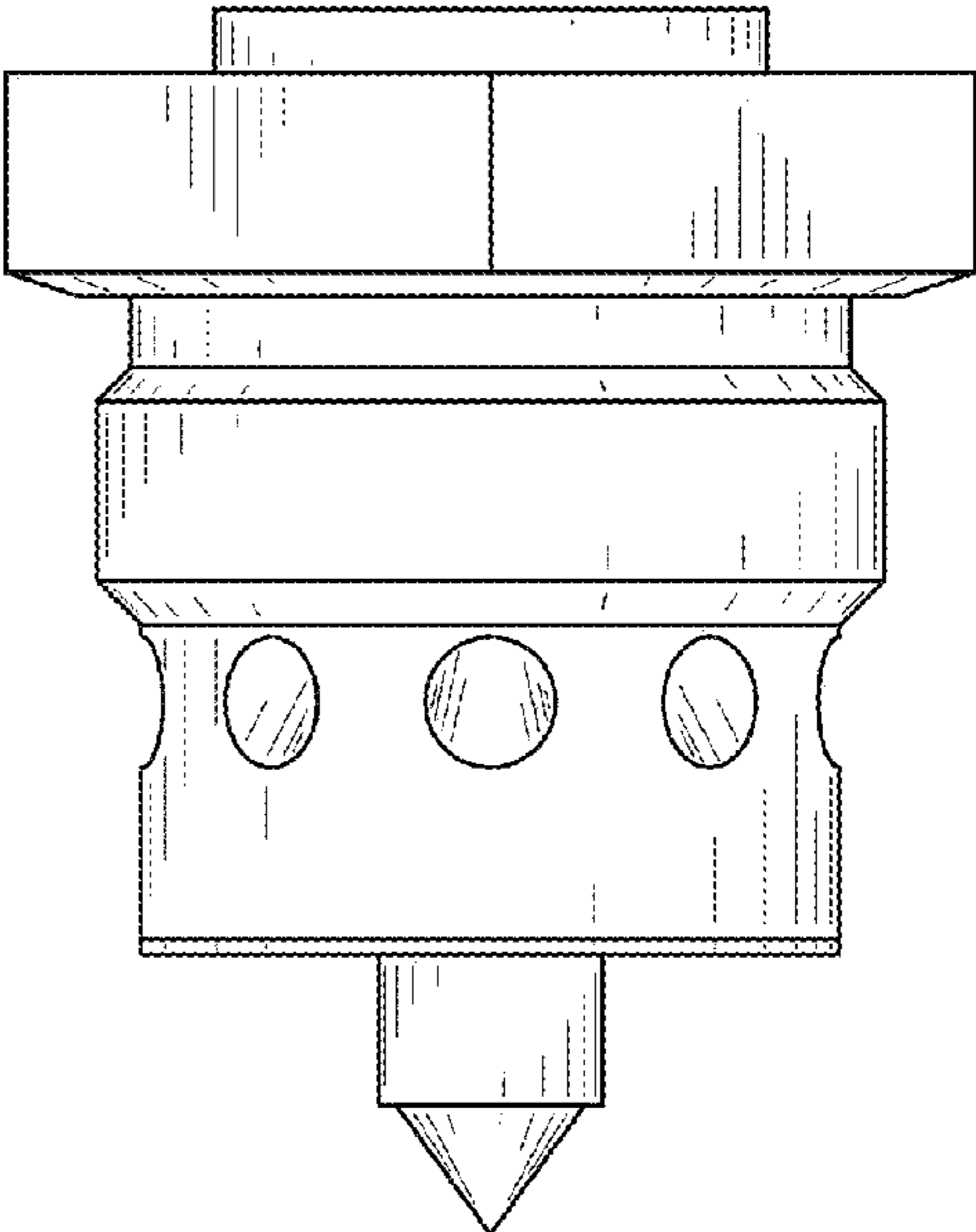


FIG. 3

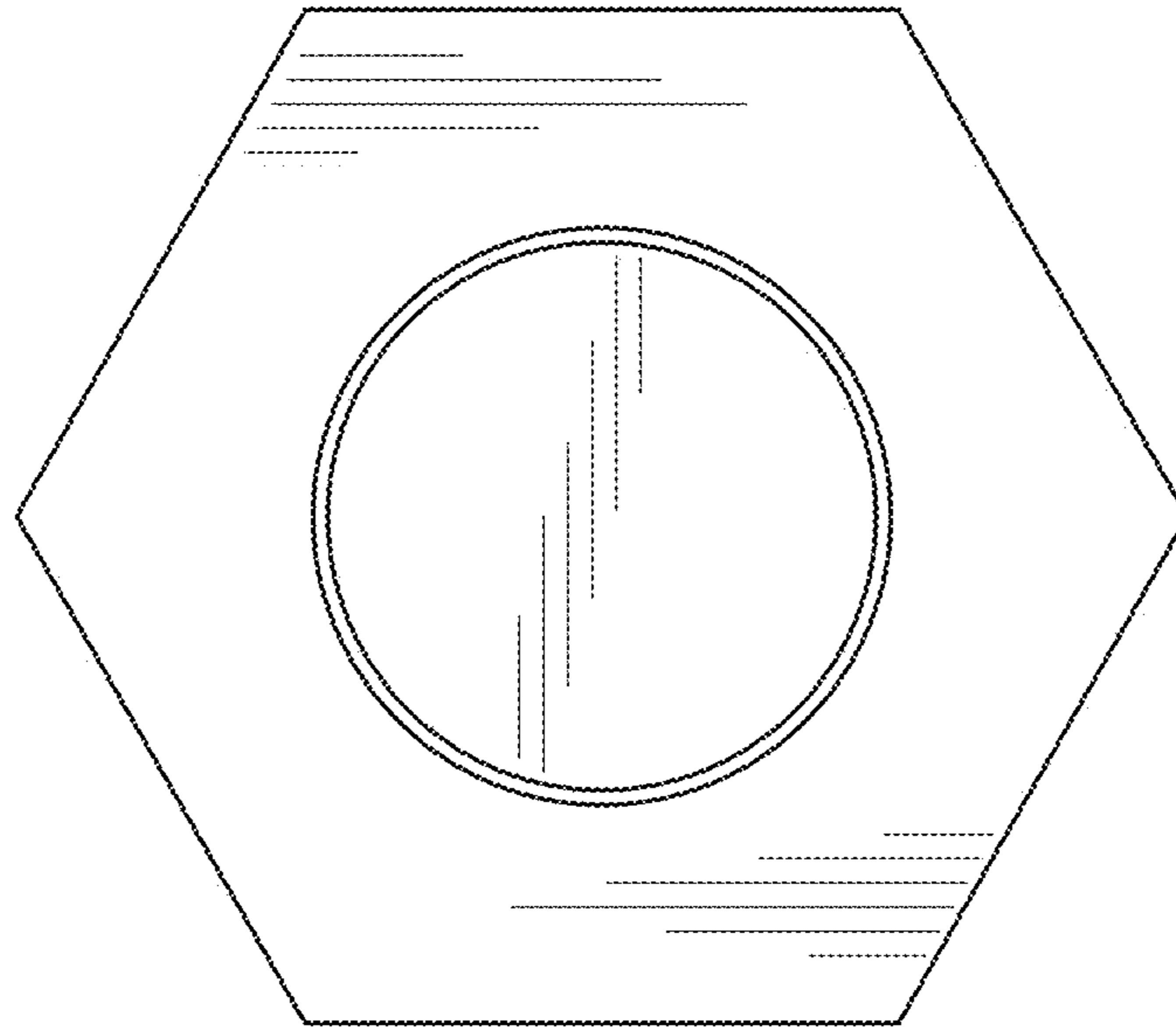


FIG. 4

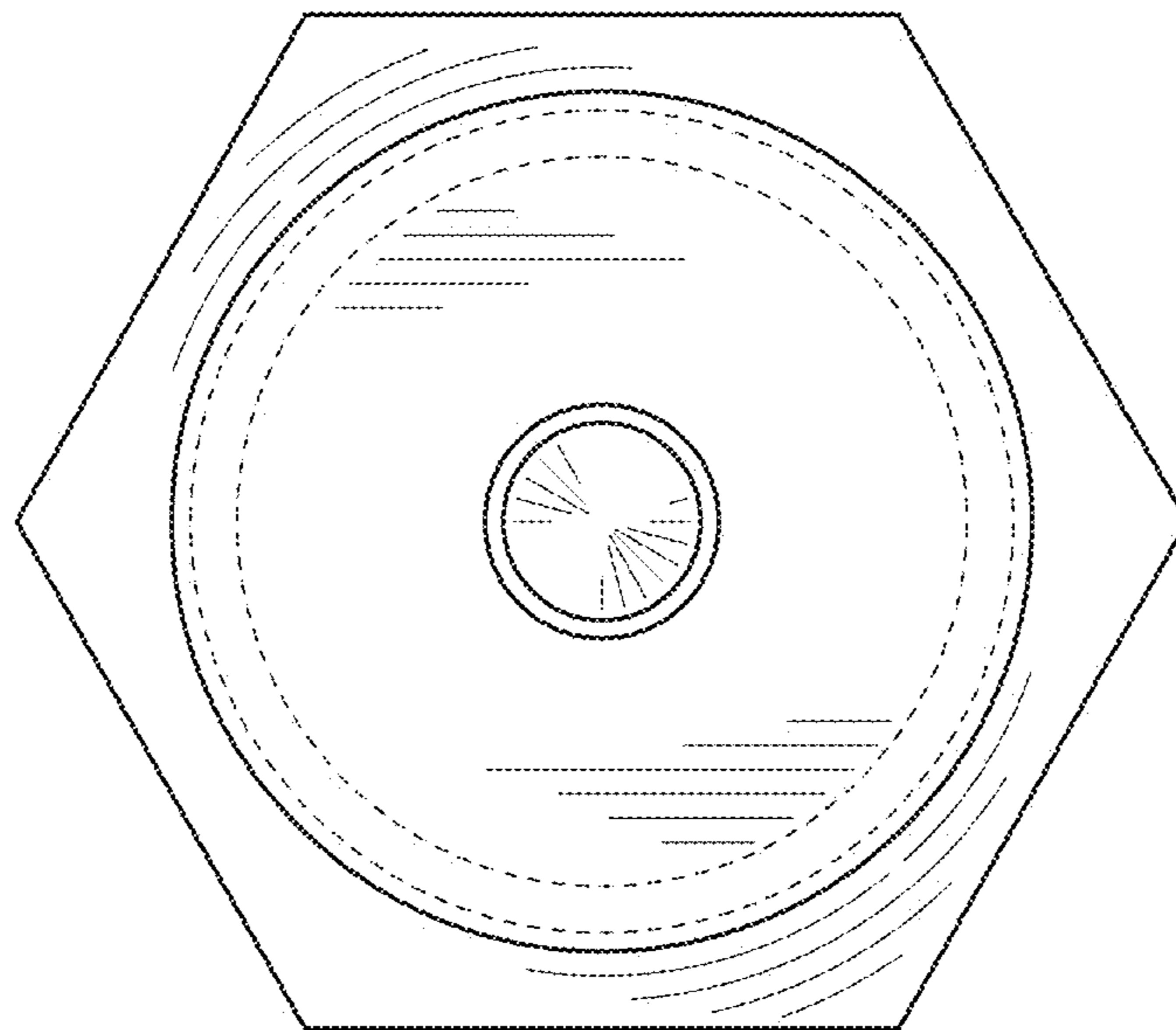


FIG. 5