



US00D755065S

(12) **United States Design Patent**
Horitani et al.

(10) **Patent No.:** **US D755,065 S**
(45) **Date of Patent:** **** May 3, 2016**

(54) **MULTIHEAD WEIGHER**

(56) **References Cited**

(71) Applicant: **ISHIDA CO., LTD.**, Kyoto (JP)

U.S. PATENT DOCUMENTS

(72) Inventors: **Yoshiki Horitani**, Ritto (JP); **Mikio Kishikawa**, Ritto (JP); **Naomi Imaaki**, Ritto (JP); **Toshiharu Kageyama**, Ritto (JP); **Hideshi Miyamoto**, Ritto (JP); **Yutaka Tamai**, Ritto (JP)

4,840,240	A *	6/1989	Toyoda	G01G 19/383 177/1
4,844,190	A *	7/1989	Mikami	G01G 19/393 177/25.18
8,119,936	B2 *	2/2012	Bruzzone	G01G 19/4142 177/136
2011/0036645	A1 *	2/2011	Kageyama	G01G 13/026 177/25.18

(73) Assignee: **ISHIDA CO., LTD.**, Kyoto (JP)

FOREIGN PATENT DOCUMENTS

(**) Term: **14 Years**

JP	D1386723	4/2010
JP	D1480681	8/2013
JP	D1480682	8/2013
JP	D1480801	8/2013

(21) Appl. No.: **29/520,750**

* cited by examiner

(22) Filed: **Mar. 17, 2015**

Primary Examiner — Antoine D Davis

(30) **Foreign Application Priority Data**

(74) *Attorney, Agent, or Firm* — Hamre, Schumann, Mueller & Larson, P.C.

Sep. 19, 2014 (JP) 2014-020796

(51) **LOC (10) Cl.** **10-04**

(57) **CLAIM**
The ornamental design for a multihead weigher, as shown and described.

(52) **U.S. Cl.**

DESCRIPTION

USPC **D10/94**

(58) **Field of Classification Search**

USPC D10/94

CPC ... G01G 13/00; G01G 13/003; G01G 13/006;

G01G 13/02; G01G 13/022; G01G 13/024;

G01G 13/026; G01G 13/028; G01G 13/04;

G01G 13/06; G01G 13/08; G01G 13/10;

G01G 13/12; G01G 13/14; G01G 13/16;

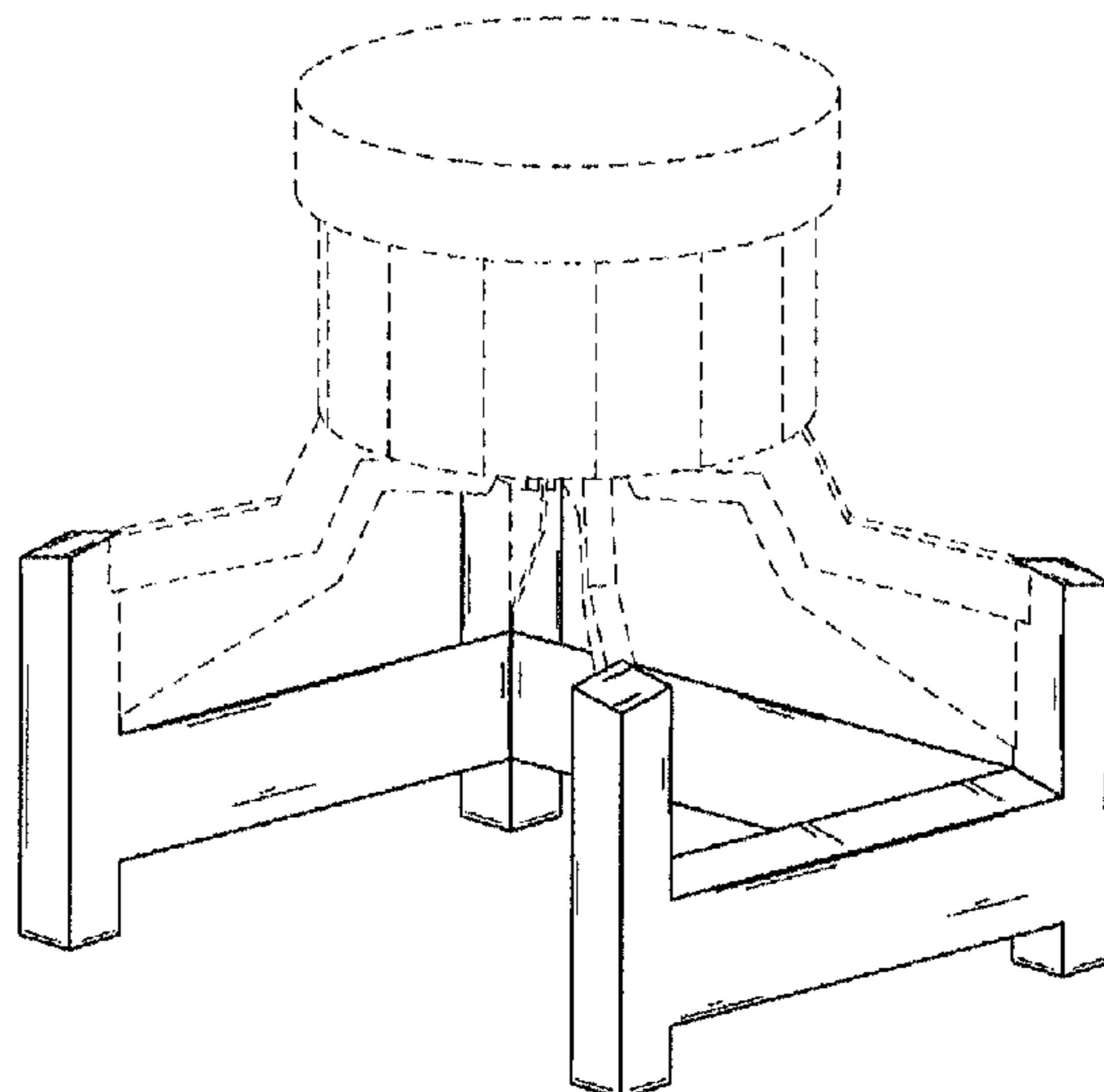
G01G 13/18; G01G 13/20

FIG. 1 is a perspective view of a multihead weigher showing our new design;
FIG. 2 is a top view thereof;
FIG. 3 is a bottom view thereof;
FIG. 4 is a left side view thereof;
FIG. 5 is a right side view thereof.
FIG. 6 is a front view thereof; and,
FIG. 7 is a back view thereof.

The broken lines appearing in the drawings form no part of the claimed design.

See application file for complete search history.

1 Claim, 7 Drawing Sheets



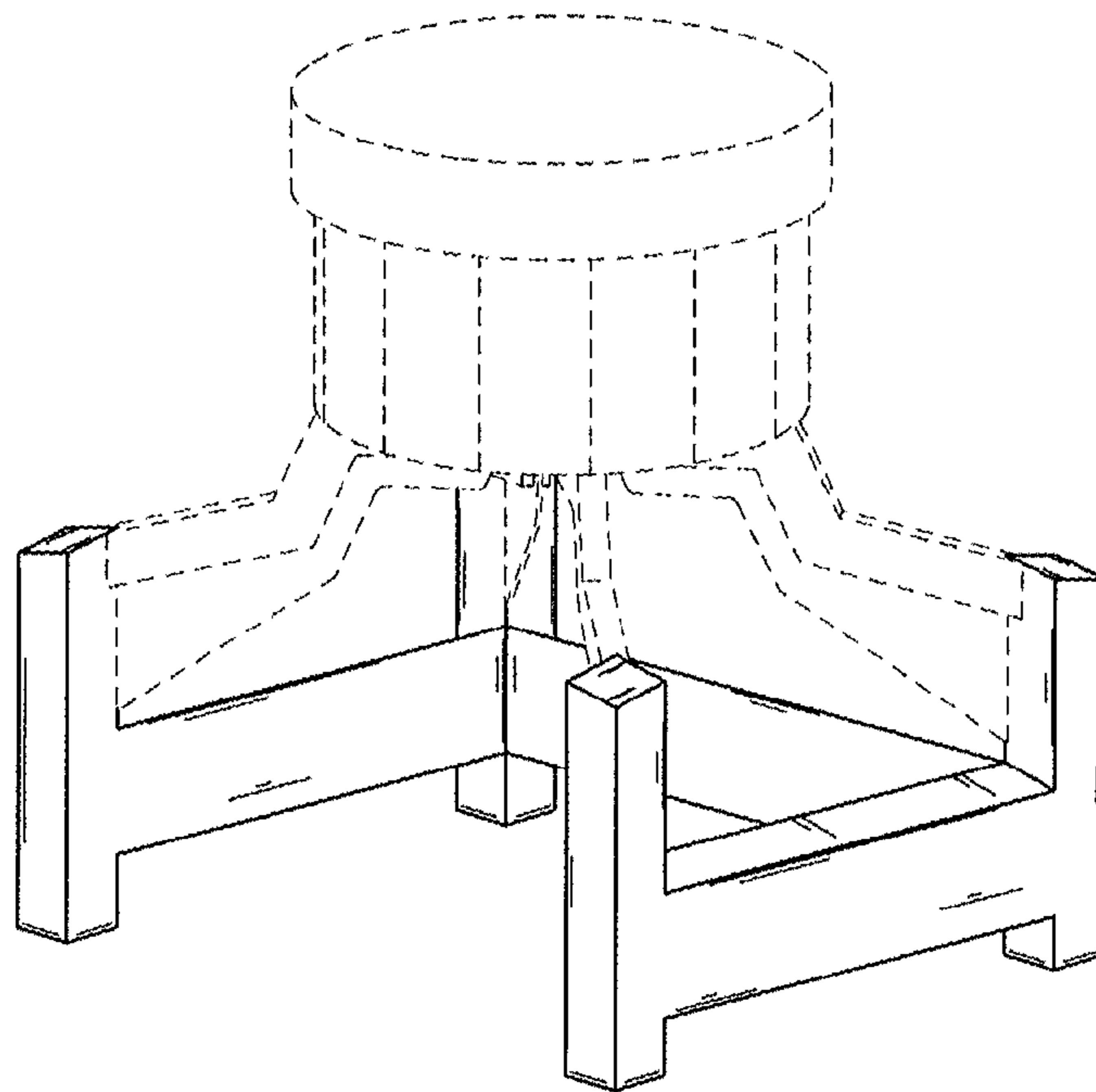


FIG. 1

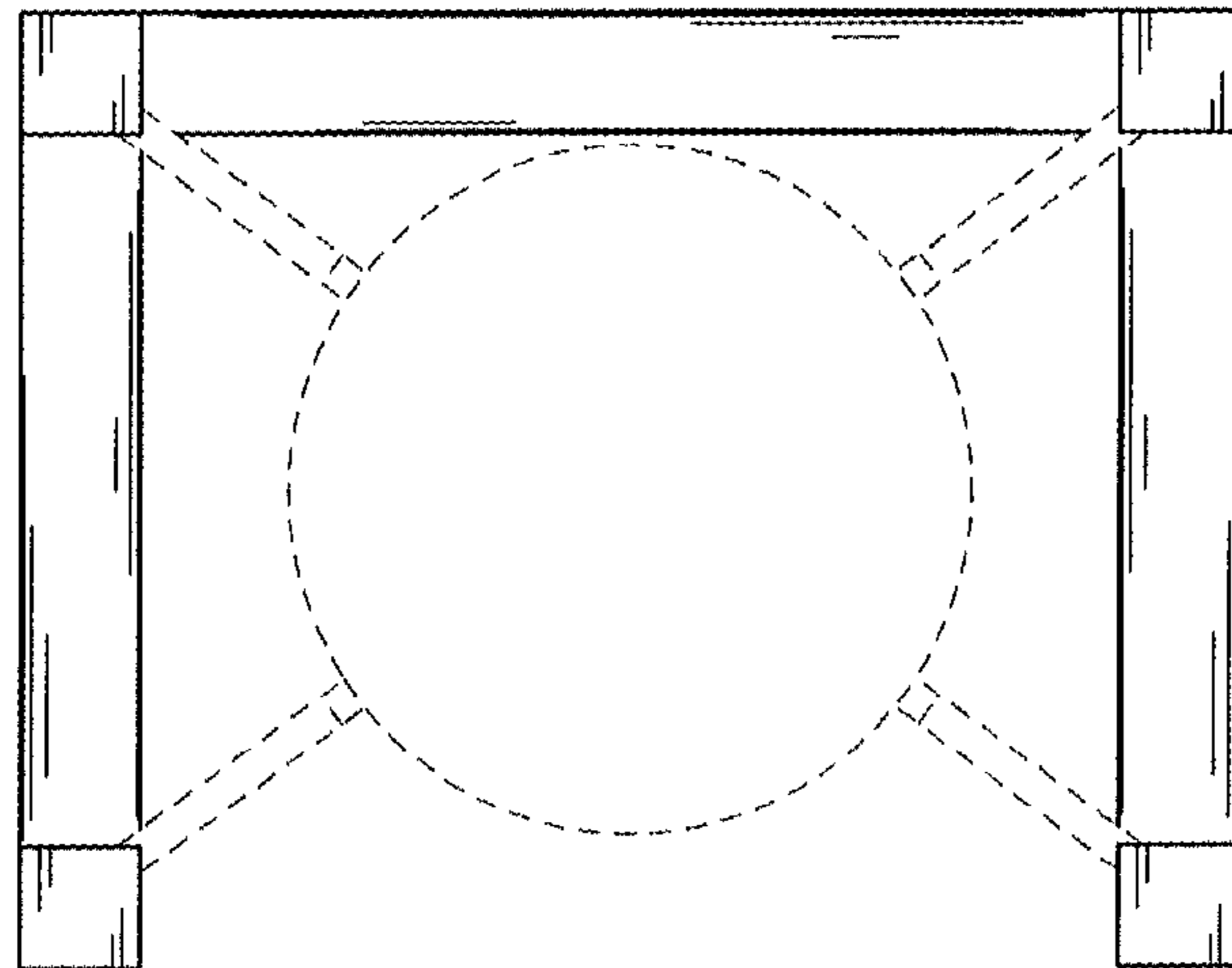


FIG. 2

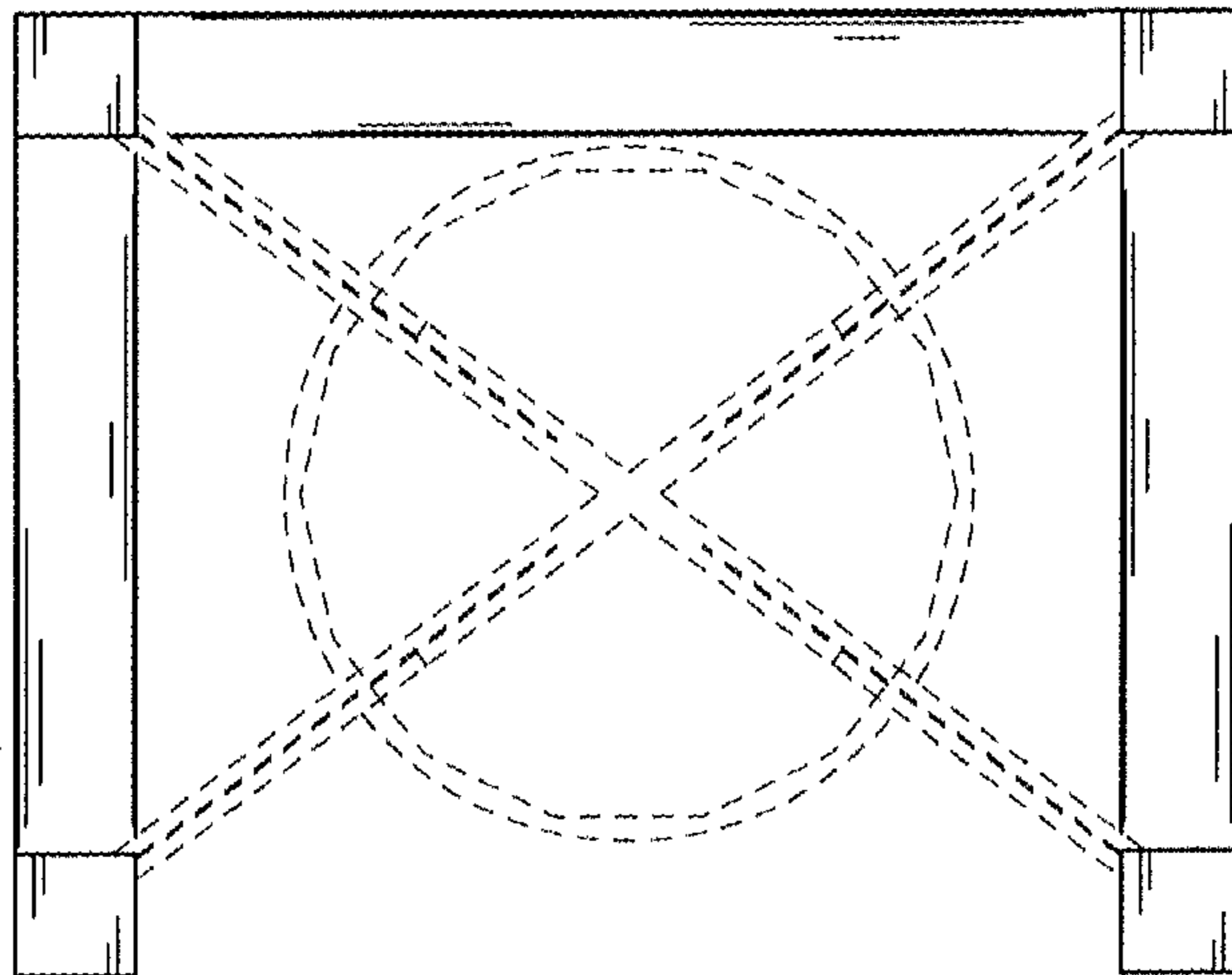


FIG. 3

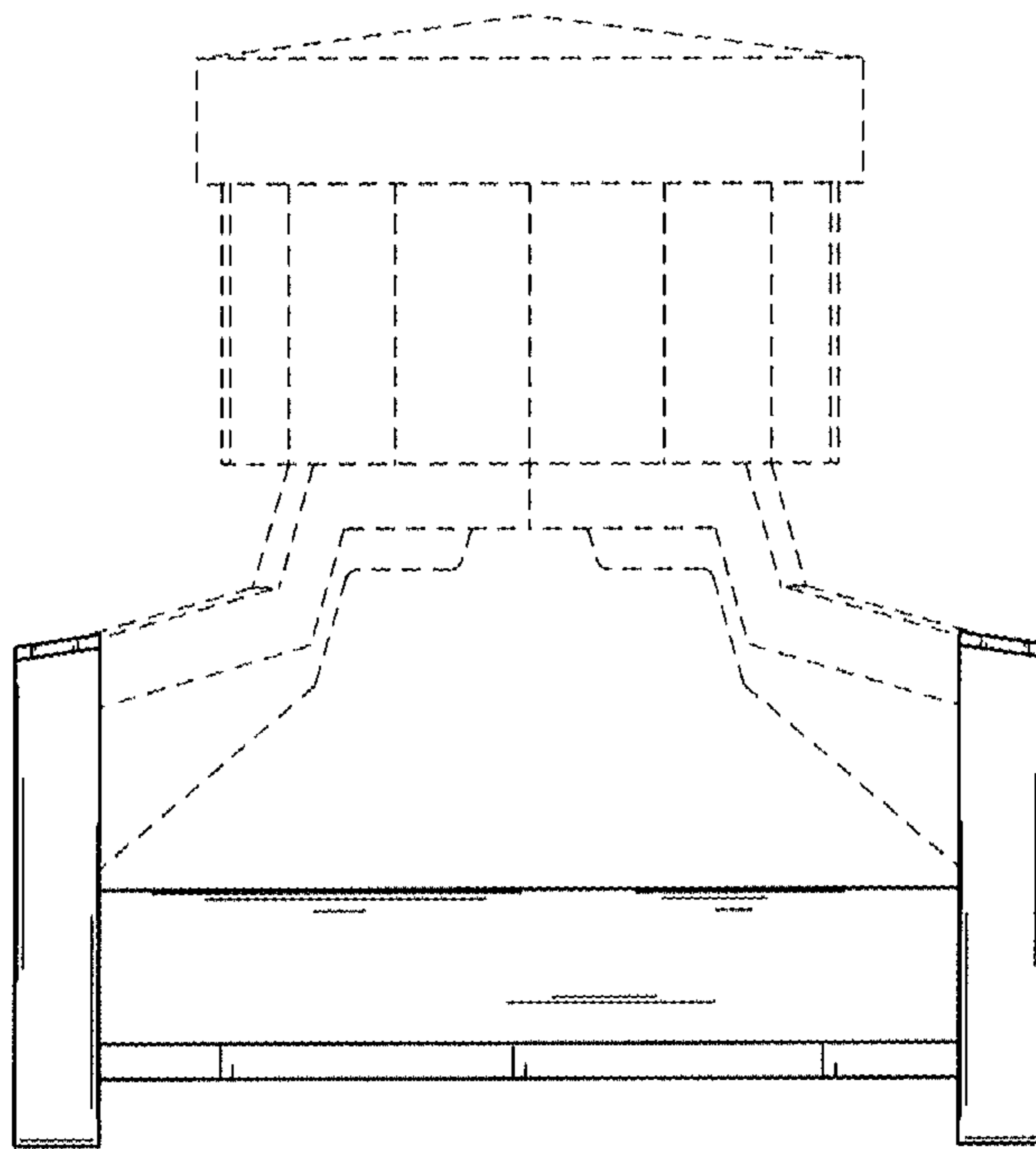


FIG. 4

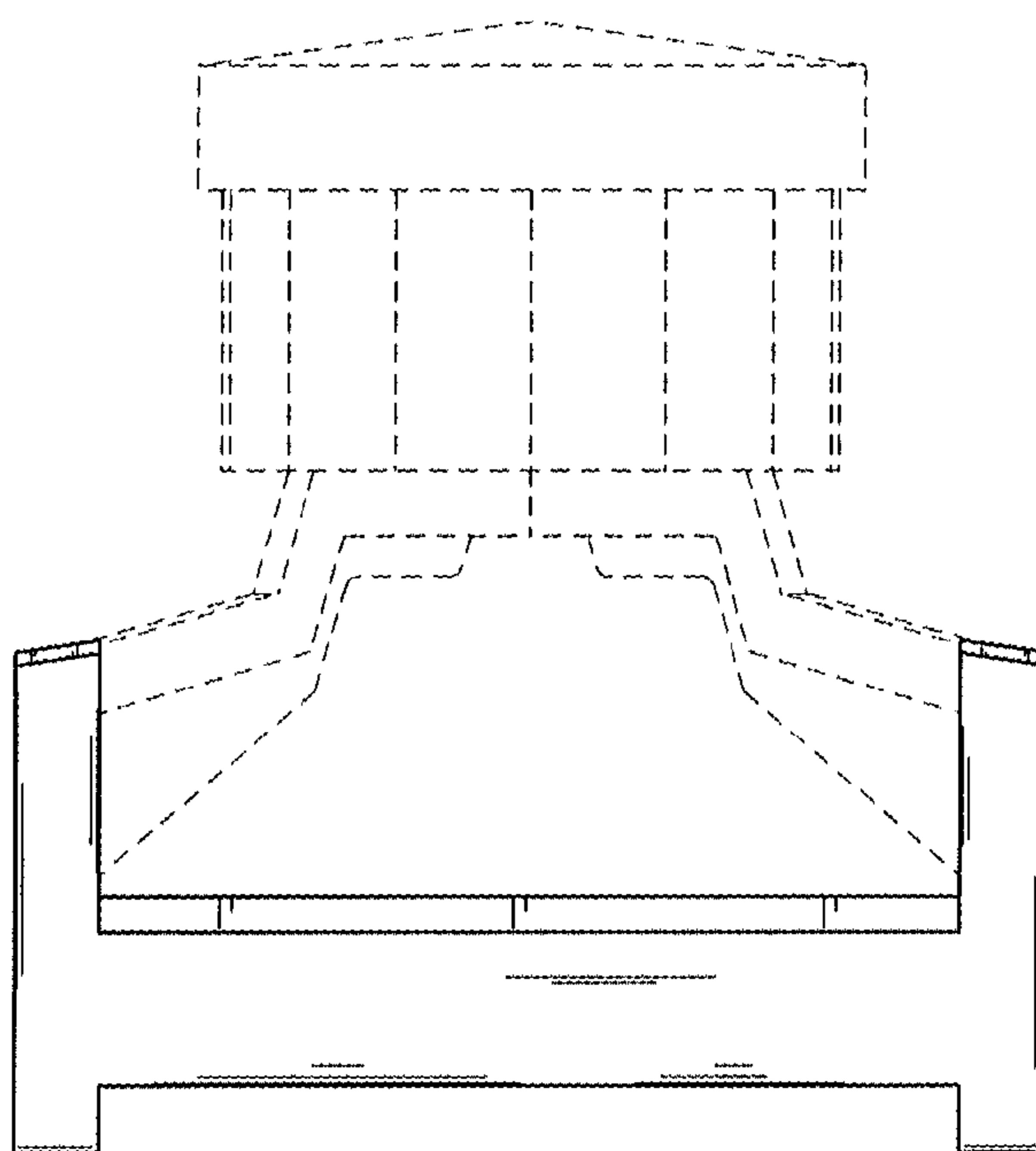


FIG. 5

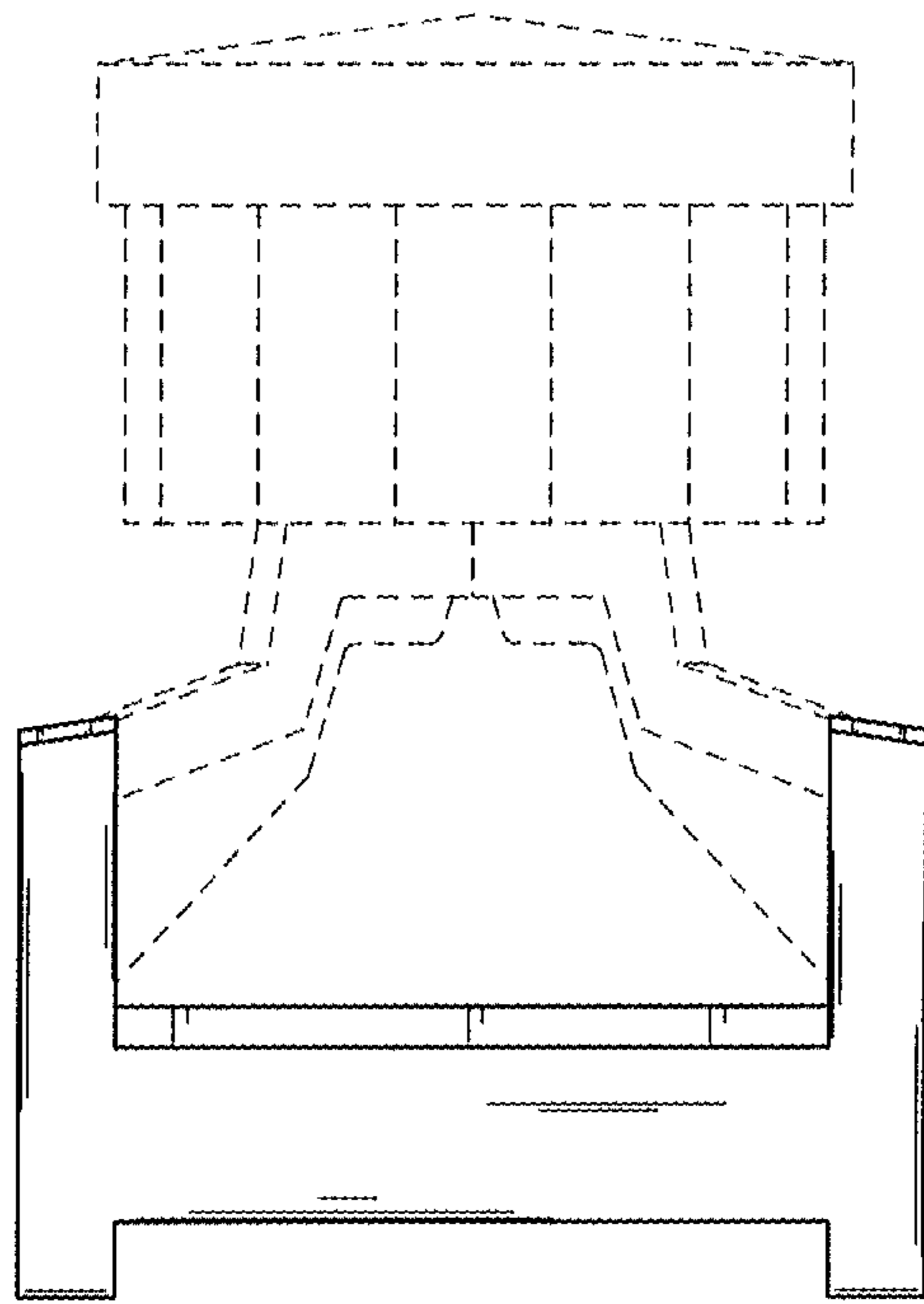


FIG. 6

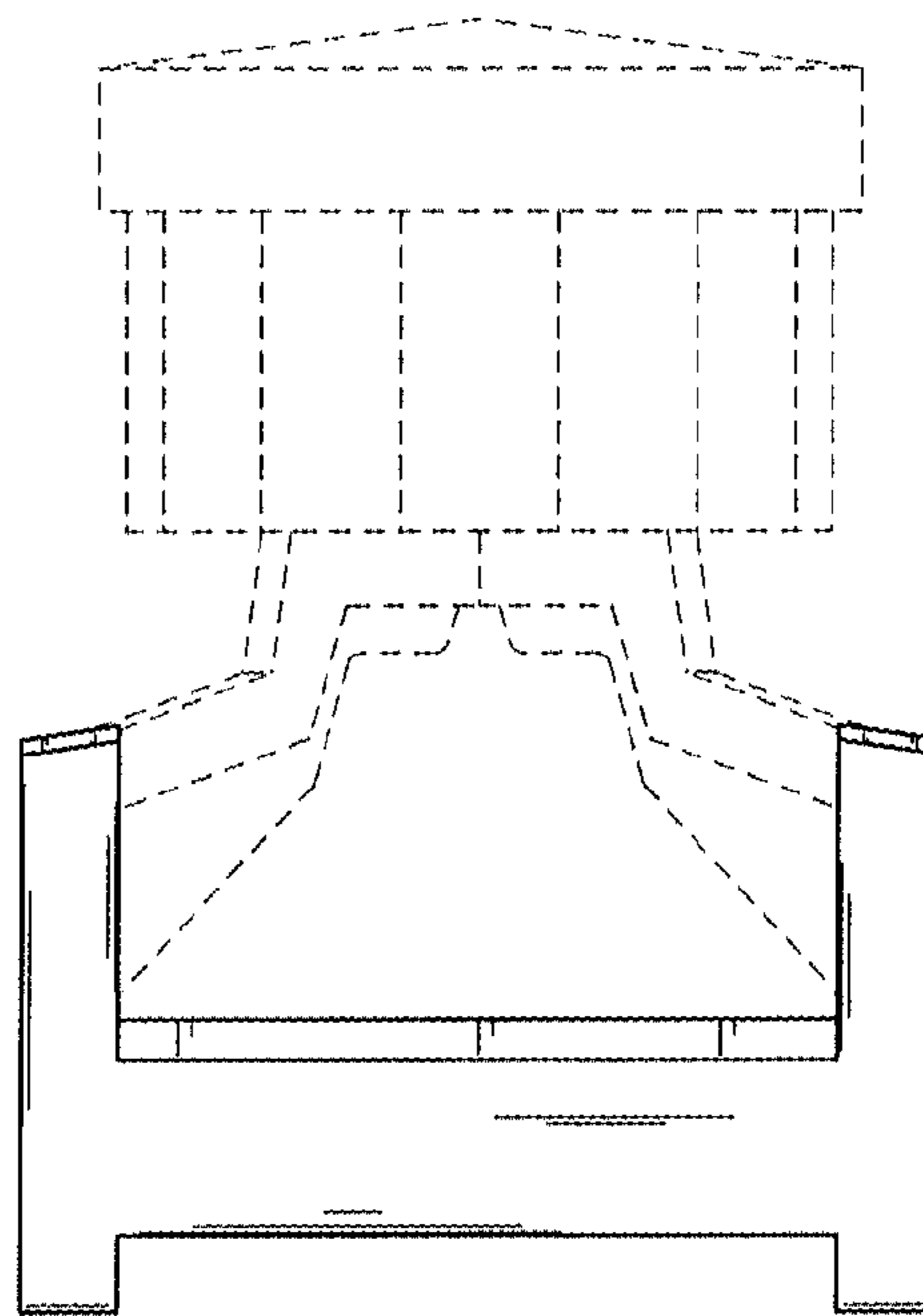


FIG. 7