



US00D755064S

(12) **United States Design Patent**
Saitoh et al.

(10) **Patent No.:** **US D755,064 S**
(45) **Date of Patent:** **** May 3, 2016**

(54) **PRESSURE DETECTING SENSOR**
(71) Applicants: **Mitsuhiko Saitoh**, Tsukubamirai (JP);
Yuta Oshima, Tsukubamirai (JP);
Masashi Yamamura, Tsukubamirai (JP)
(72) Inventors: **Mitsuhiko Saitoh**, Tsukubamirai (JP);
Yuta Oshima, Tsukubamirai (JP);
Masashi Yamamura, Tsukubamirai (JP)
(73) Assignee: **SMC Corporation**, Chiyoda-ku, Tokyo
(JP)
(**) Term: **14 Years**
(21) Appl. No.: **29/519,145**
(22) Filed: **Mar. 3, 2015**
(30) **Foreign Application Priority Data**

Sep. 11, 2014 (JP) 2014-020193
(51) **LOC (10) Cl.** **10-04**
(52) **U.S. Cl.**
USPC **D10/85**
(58) **Field of Classification Search**
USPC D10/83-85
CPC . G01L 19/00; G01L 19/0007; G01L 19/0015;
G01L 19/0023; G01L 19/003; G01L 19/0038;
G01L 19/0046; G01L 2019/0053; G01L
19/0061; G01L 19/0069; G01L 19/0076;
G01L 19/0084; G01L 19/0092; G01L 19/02;
G01L 19/04; G01L 19/06

See application file for complete search history.

(56) **References Cited**
U.S. PATENT DOCUMENTS
4,017,819 A * 4/1977 Pien G01L 9/006
338/36
4,099,166 A * 7/1978 Robinson B60K 28/00
123/198 D
D441,673 S * 5/2001 Shimomoto D10/85
D470,428 S * 2/2003 Kryskowski D10/85
8,934,263 B2 * 1/2015 Eckhardt G01L 9/00
361/784

* cited by examiner
Primary Examiner — Antoine D Davis
(74) *Attorney, Agent, or Firm* — Yokoi & Co., U.S.A.;
Toshiyuki Yokoi

(57) **CLAIM**
The ornamental design for a pressure detecting sensor, as
shown and described.

DESCRIPTION
FIG. 1 shows a front view of a pressure detecting sensor
showing our new design;
FIG. 2 shows a rear view thereof;
FIG. 3 shows a right side view thereof;
FIG. 4 shows a left side view thereof;
FIG. 5 shows a top view thereof;
FIG. 6 shows a bottom view thereof; and,
FIG. 7 shows a top, front and left side perspective view
thereof.
The portions of the design shown in broken lines in FIGS. 5,
6 and 7 are for the purpose of illustrating the environment
only and form no part of the claimed design.

1 Claim, 6 Drawing Sheets

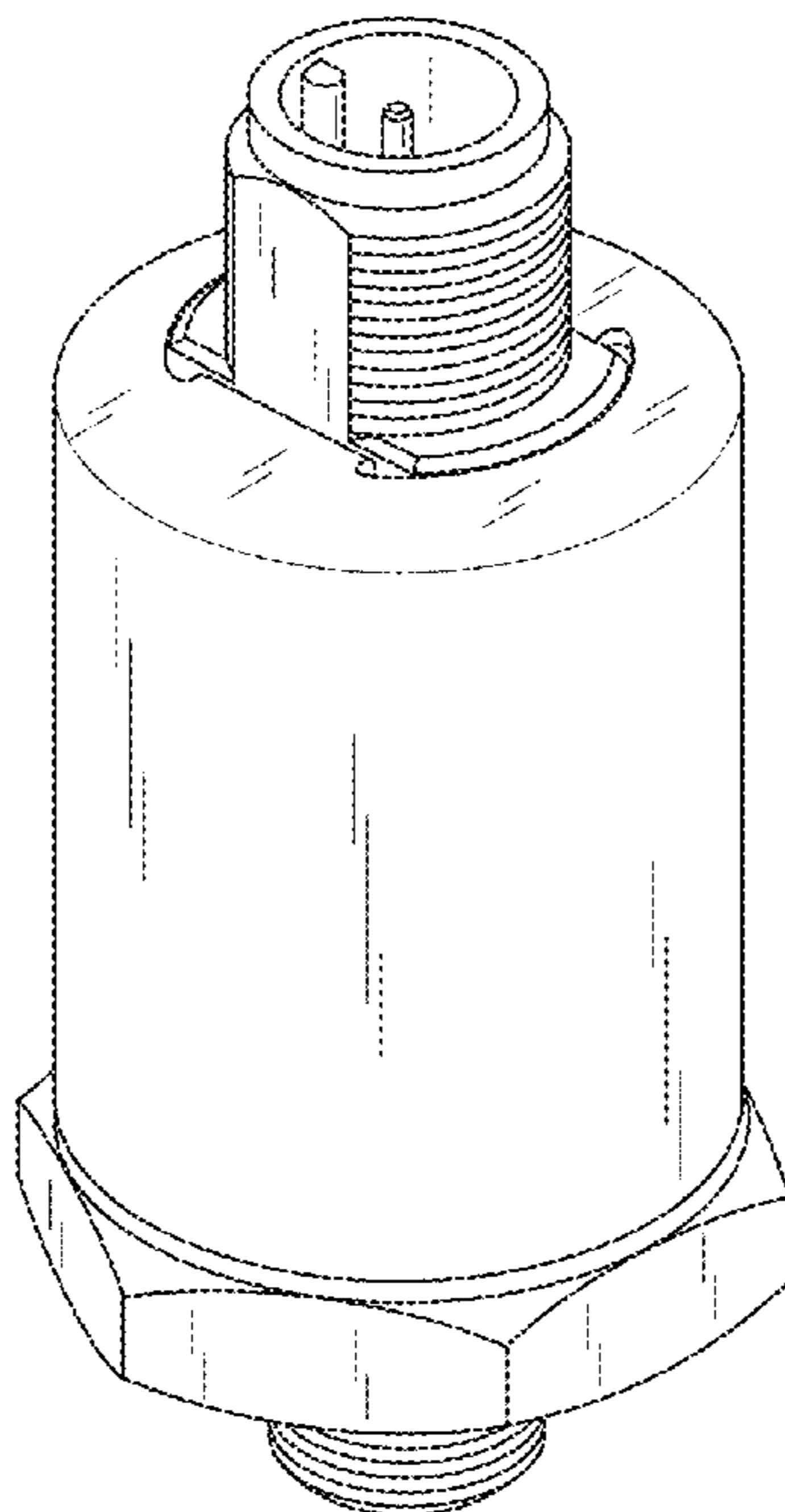


FIG. 1

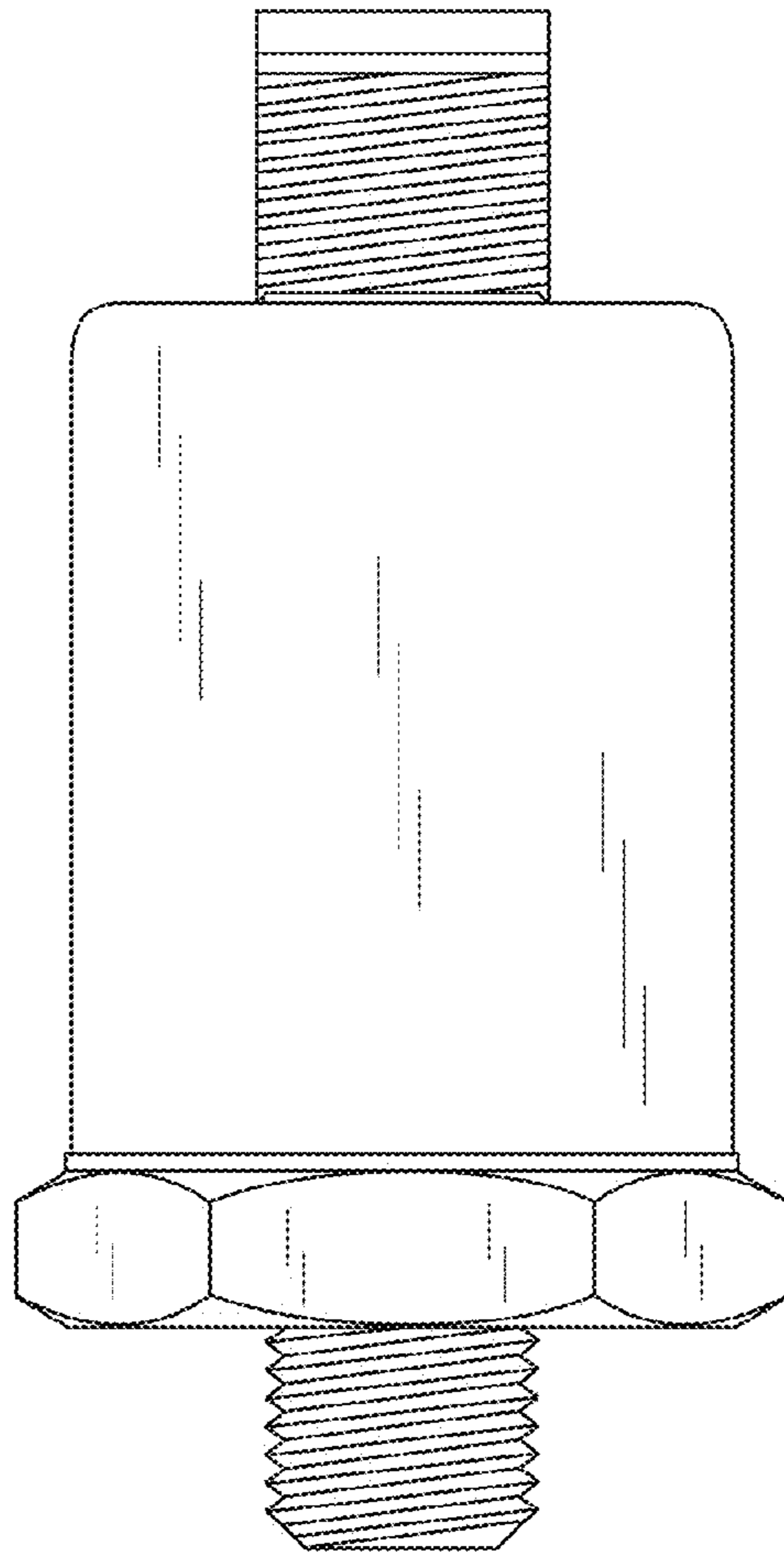


FIG. 2

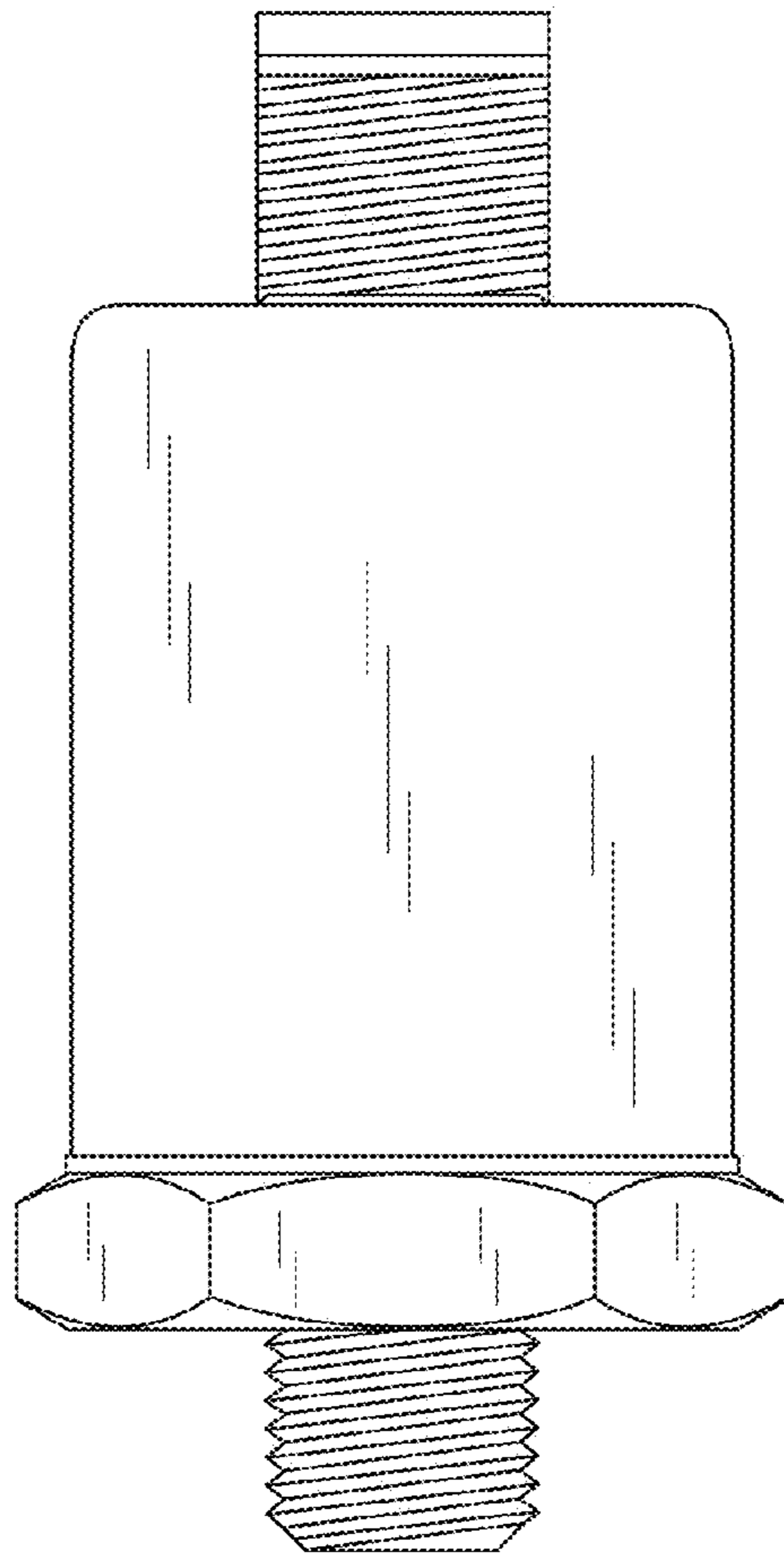


FIG. 3

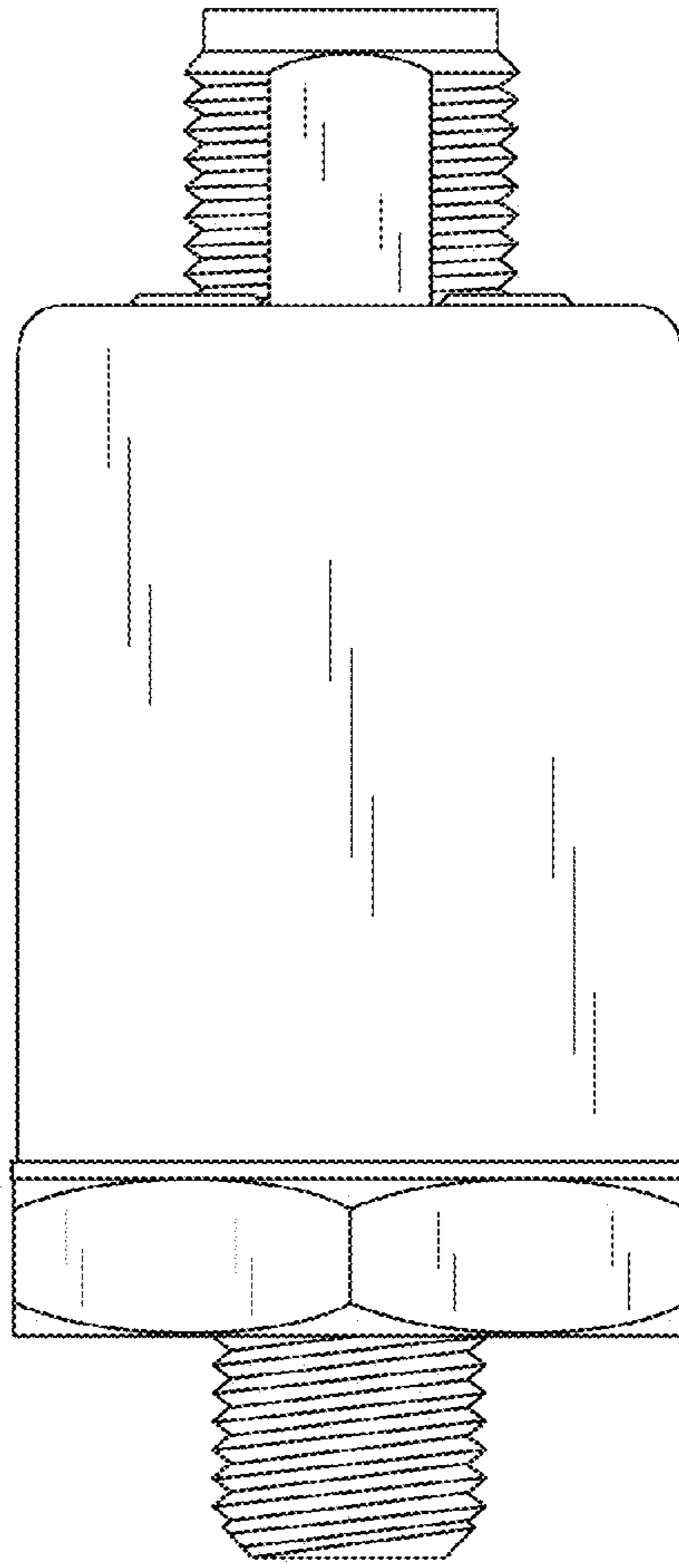


FIG. 4

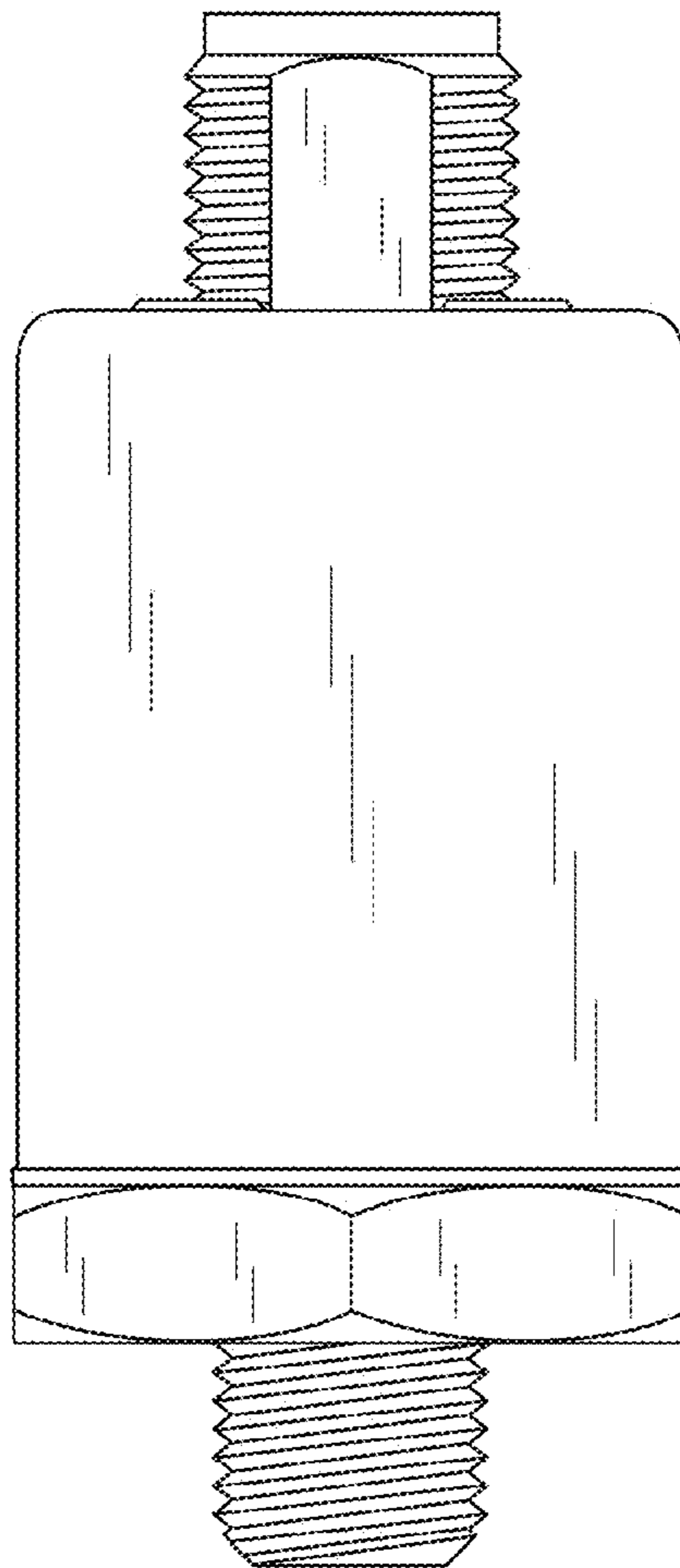


FIG. 5

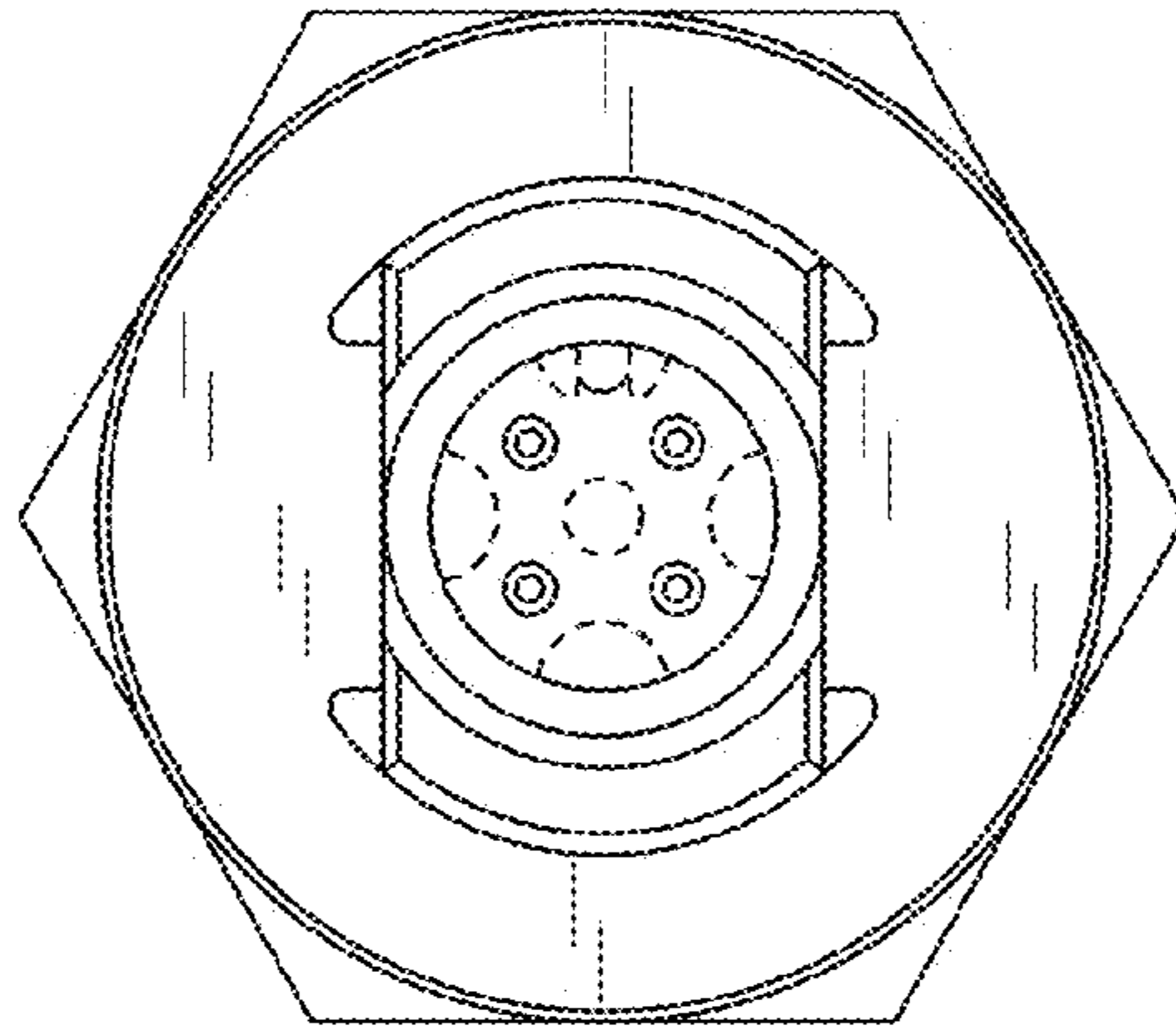


FIG. 6

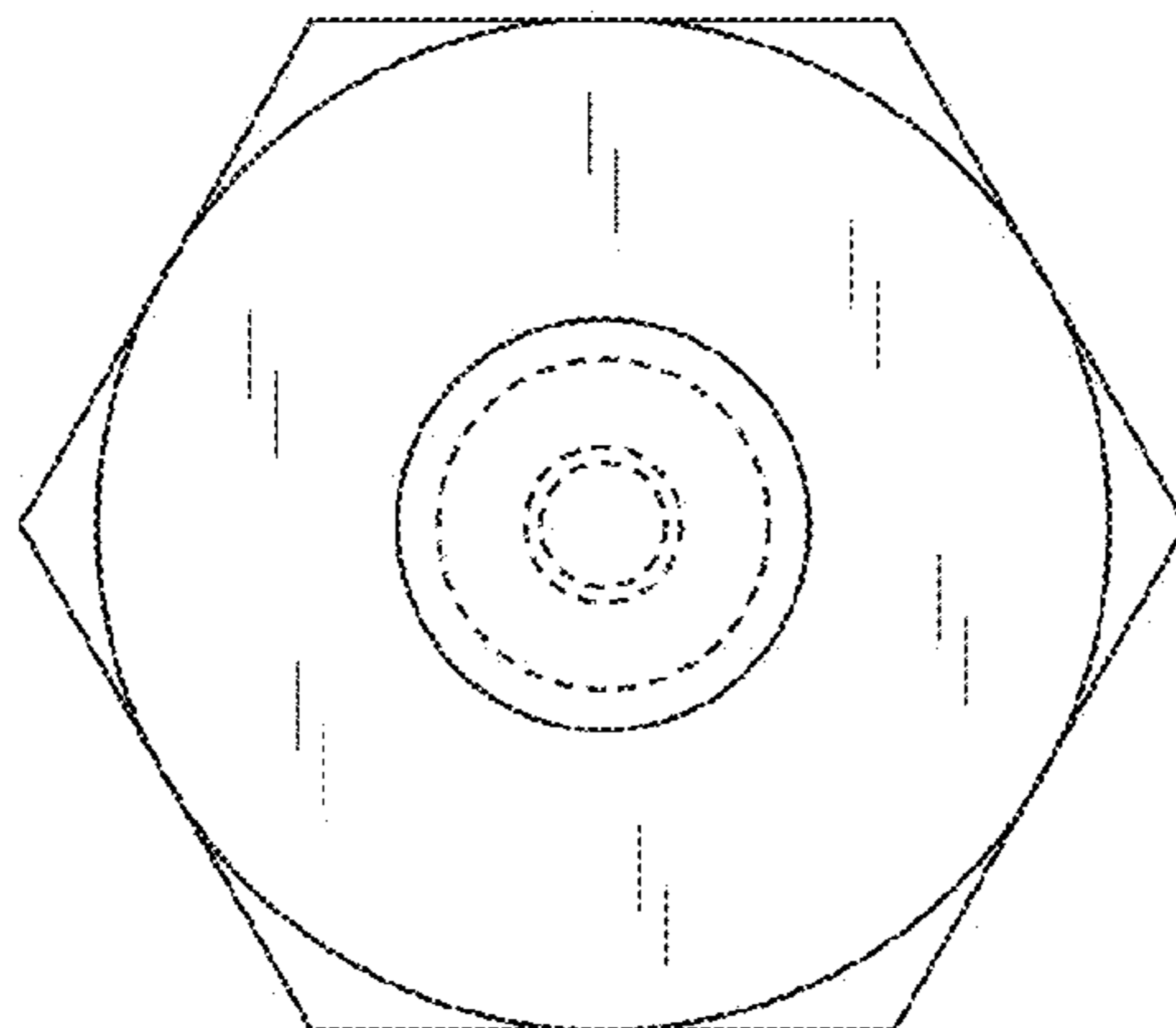


FIG. 7

