



US00D755062S

(12) **United States Design Patent**  
**Yarden**

(10) **Patent No.:** **US D755,062 S**  
(45) **Date of Patent:** **\*\* May 3, 2016**

(54) **UPG2W THERMOMETER**  
(71) Applicant: **Medisim LTD.**, Neve Ilan (IL)  
(72) Inventor: **Moshe Yarden**, Mevasseret Zion (IL)  
(73) Assignee: **MEDISIM LTD.**, Neve Ilan (IL)  
(\*\*) Term: **14 Years**

D449,787 S \* 10/2001 Wirz et al. .... D10/57  
D453,476 S \* 2/2002 Wirz et al. .... D10/57  
D525,542 S \* 7/2006 Russak et al. .... D10/57  
D531,529 S \* 11/2006 Sato et al. .... D10/57  
D535,203 S \* 1/2007 Chen ..... D10/57  
D535,575 S \* 1/2007 Howansky et al. .... D10/57  
D535,898 S \* 1/2007 Howansky et al. .... D10/57  
D664,454 S \* 7/2012 Shibata et al. .... D10/57  
D730,204 S \* 5/2015 Juhng et al. .... D10/57  
D730,205 S \* 5/2015 Juhng et al. .... D10/57

(21) Appl. No.: **29/508,757**  
(22) Filed: **Nov. 11, 2014**

\* cited by examiner

*Primary Examiner* — Antoine D Davis  
(74) *Attorney, Agent, or Firm* — The Law Office of Joseph L. Felber

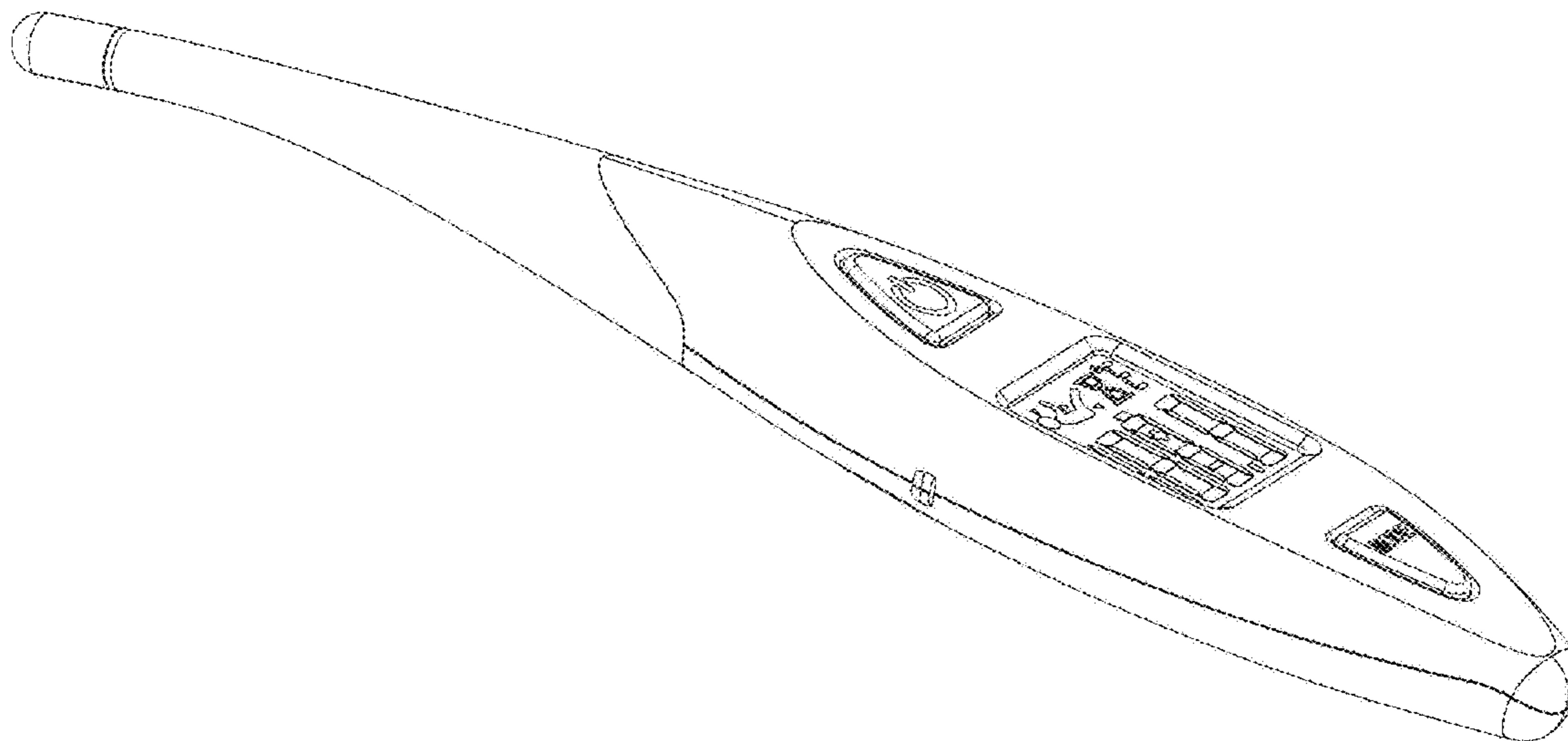
(30) **Foreign Application Priority Data**  
Oct. 31, 2014 (CN) ..... 2014 3 0421493  
(51) **LOC (10) Cl.** ..... **10-04**  
(52) **U.S. Cl.**  
USPC ..... **D10/57**  
(58) **Field of Classification Search**  
USPC ..... D10/57  
CPC ..... G01K 1/08-1/125; G01K 3/00-3/14;  
G01K 2003/145; G01K 13/002; G01K  
2219/00  
See application file for complete search history.

(57) **CLAIM**  
The ornamental design for a UPG2W thermometer, as shown and described.

(56) **References Cited**  
U.S. PATENT DOCUMENTS  
D420,604 S \* 2/2000 Katzman et al. .... D10/57  
D420,924 S \* 2/2000 Tseng ..... D10/57

**DESCRIPTION**  
FIG. 1 is a top left perspective view of the UPG2W thermometer of my invention;  
FIG. 2 is a top right perspective view thereof;  
FIG. 3 is a right side view thereof;  
FIG. 4 is a back view thereof;  
FIG. 5 is a left side view thereof;  
FIG. 6 is a front view thereof;  
FIG. 7 is a top view thereof; and,  
FIG. 8 is a bottom view thereof.

**1 Claim, 8 Drawing Sheets**



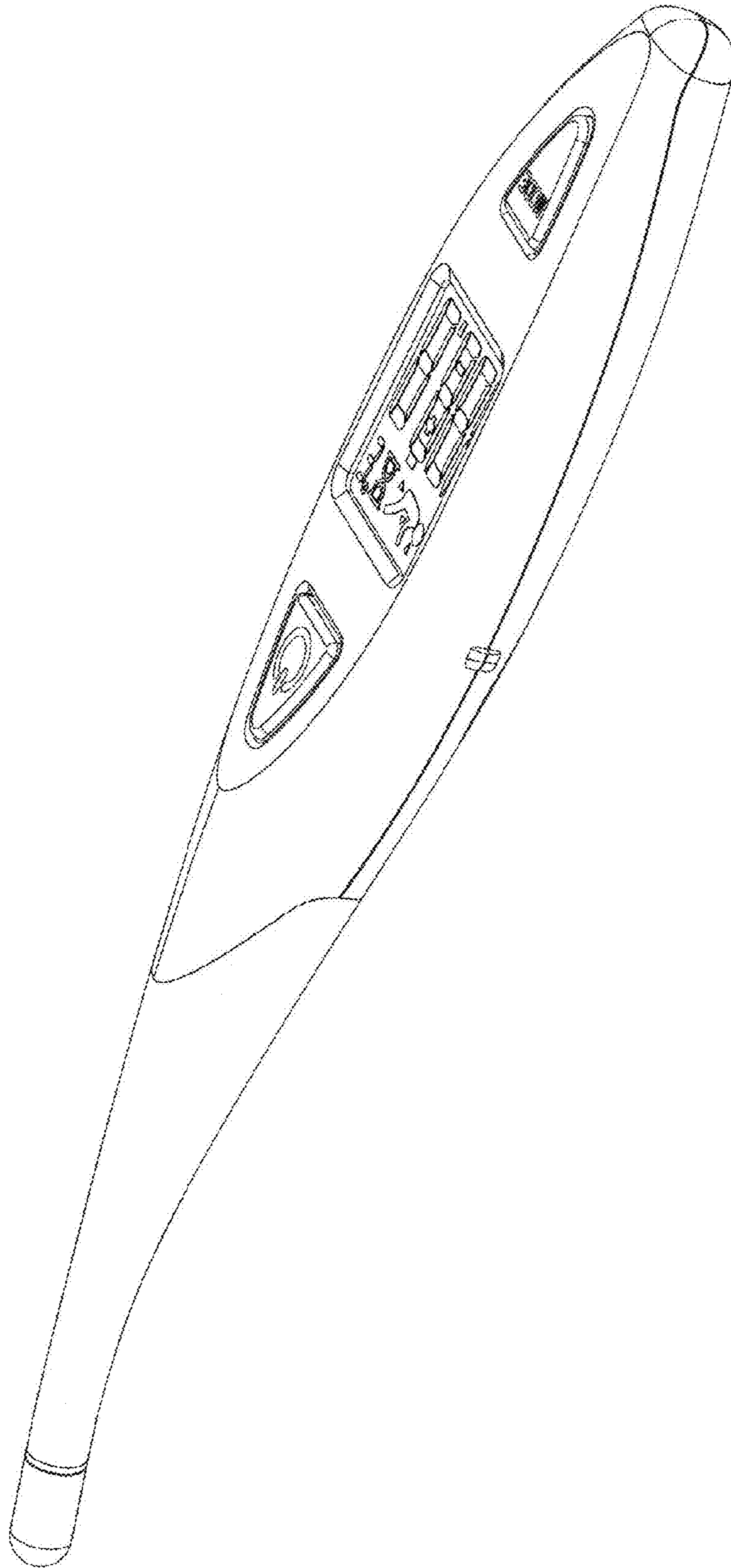


FIG. 1

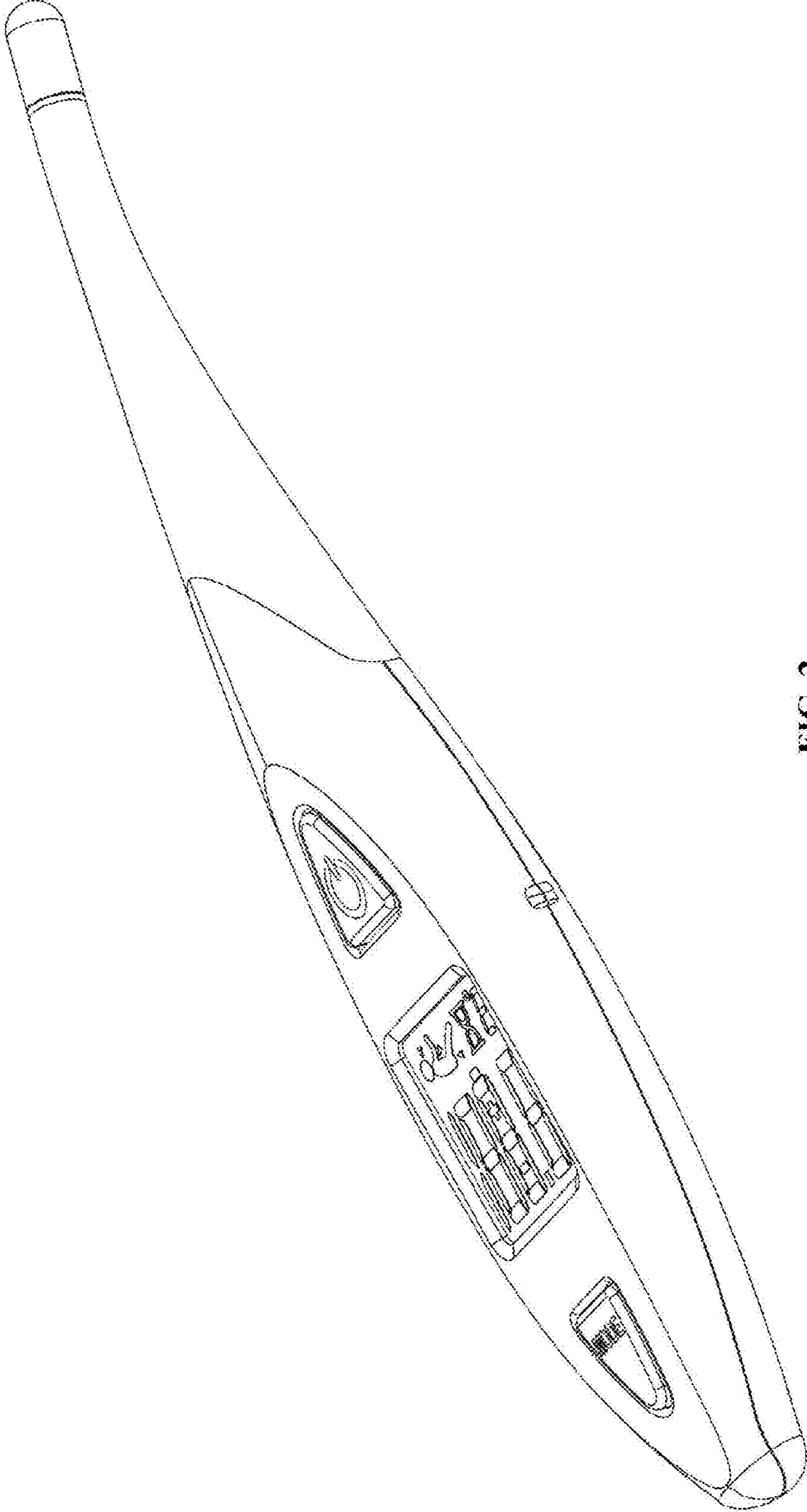


FIG. 2

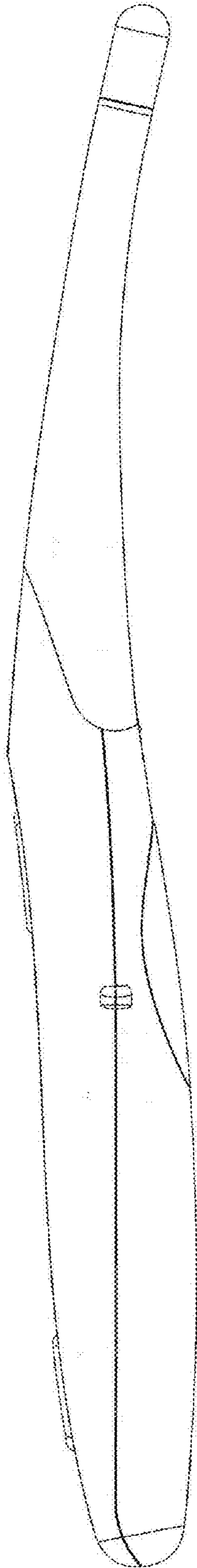


FIG. 3

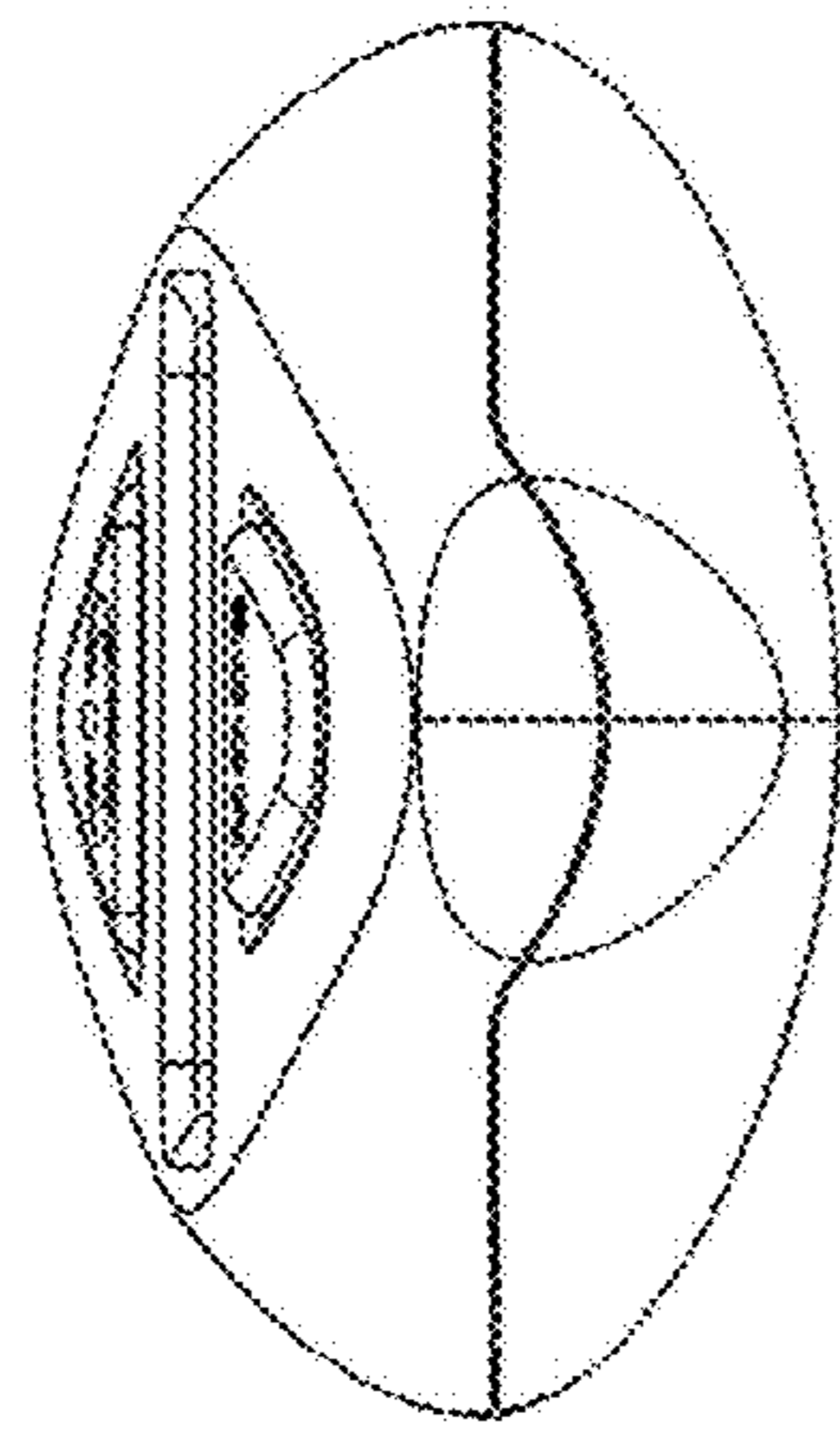


FIG. 4

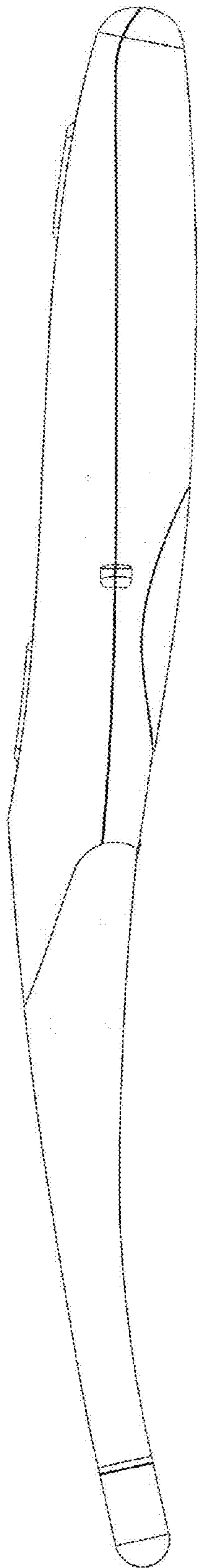


FIG. 5

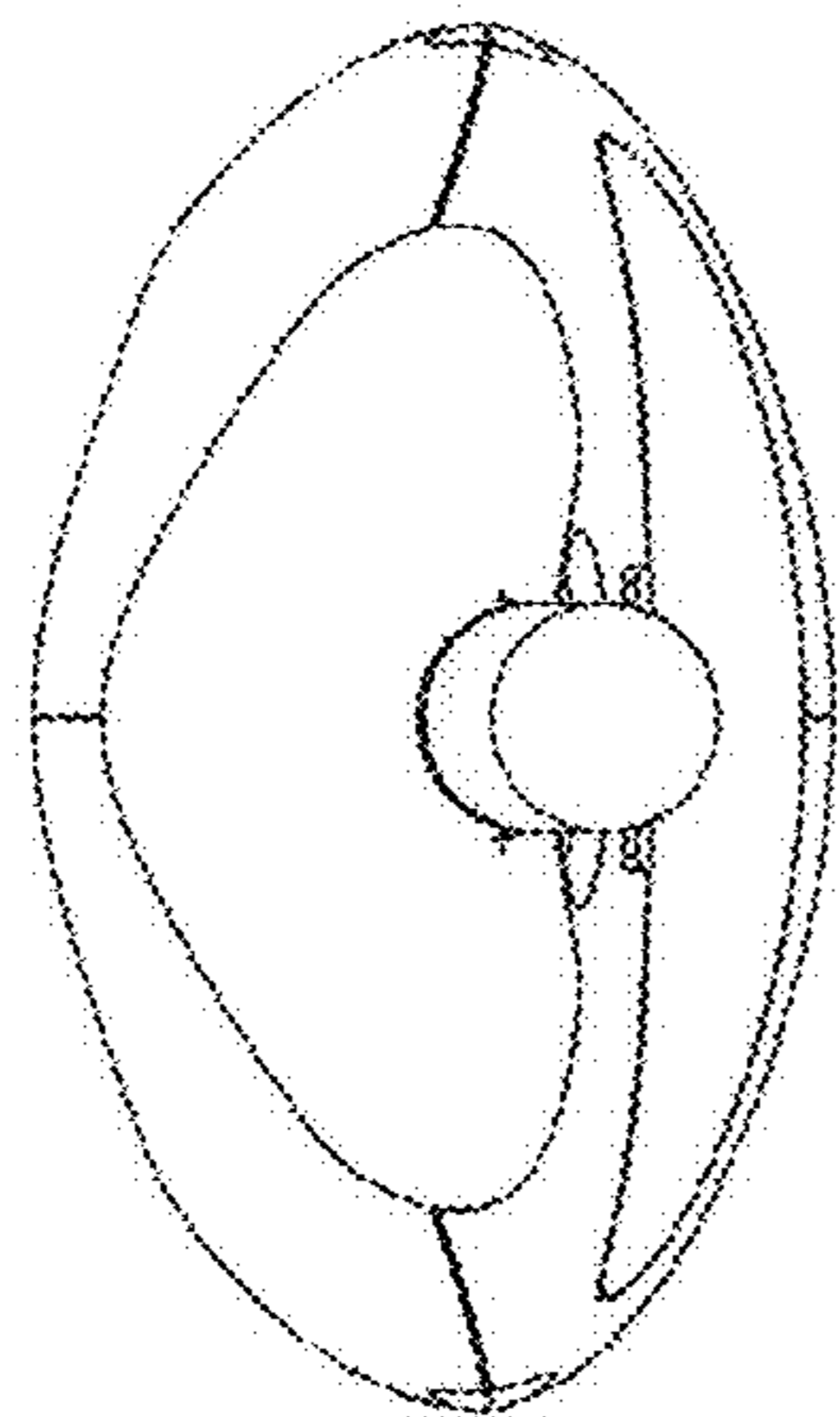


FIG. 6

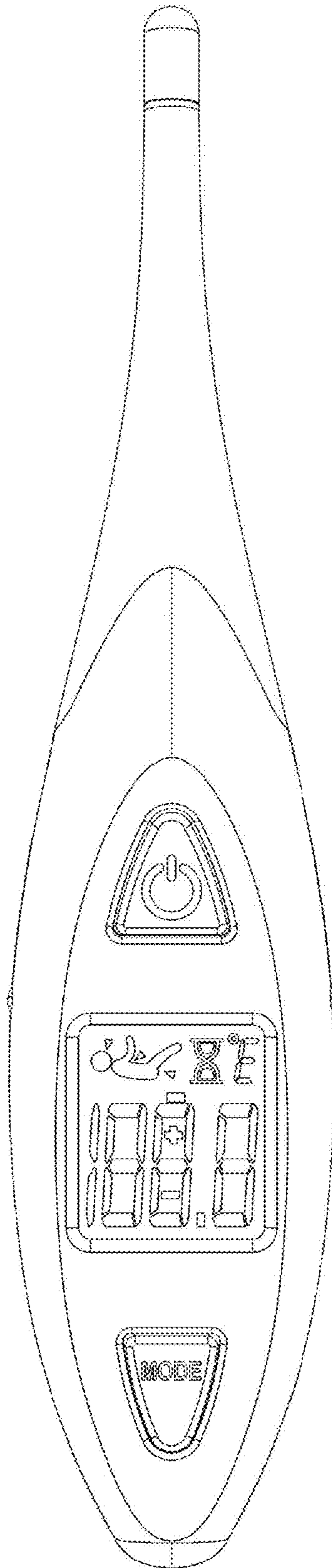


FIG. 7



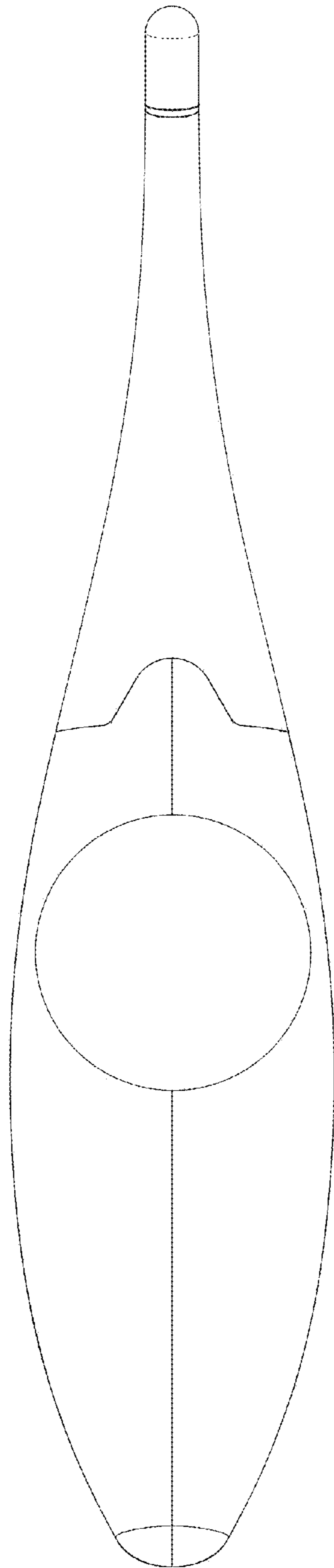


FIG. 8