

US00D755061S

(12) **United States Design Patent**
Nakai et al.

(10) **Patent No.:** **US D755,061 S**
(45) **Date of Patent:** **** May 3, 2016**

(54) **WRIST WATCH**

(71) Applicant: **CASIO KEISANKI KABUSHIKI KAISHA**, Shibuya-ku, Tokyo (JP)

(72) Inventors: **Toshio Nakai**, Tokyo (JP); **Takayasu Akagi**, Tokyo (JP)

(73) Assignee: **CASIO KEISANKI KABUSHIKI KAISHA**, Tokyo (JP)

(**) Term: **14 Years**

(21) Appl. No.: **29/519,922**

(22) Filed: **Mar. 9, 2015**

(30) **Foreign Application Priority Data**

Nov. 21, 2014 (CN) 2014 3 0464691

(51) **LOC (10) Cl.** **10-02**

(52) **U.S. Cl.**

USPC **D10/32; D10/39**

(58) **Field of Classification Search**

USPC D10/30-39, 1-29, 122-132; D11/3
CPC G04B 19/00; G04B 19/04; G04B 19/042;
G04B 19/044; G04B 19/06; G04B 19/10;
G04B 19/106; G04B 37/00; G04B 37/0008;
G04B 37/0058; G04B 37/084; G04C 3/00;
G04C 3/001; G04C 3/002; G04G 9/00;
G04G 9/0017; G04G 9/06; G04G 9/107;
G04G 17/00; G04G 17/08; G04G 21/08

See application file for complete search history.

(56) **References Cited**

U.S. PATENT DOCUMENTS

D317,872 S * 7/1991 Dobashi D10/32
D330,166 S * 10/1992 Park D10/30

D356,266 S * 3/1995 Hosokawa D10/39
D386,982 S * 12/1997 Ramos, Jr. D10/30
D519,855 S * 5/2006 Tonohori D10/32
7,355,556 B2 * 4/2008 Abe H01Q 1/273
343/788
D658,527 S * 5/2012 Ikezu D10/124
D663,222 S * 7/2012 Nakai D10/39
D664,450 S * 7/2012 Syoubayashi D10/39
2004/0150578 A1 * 8/2004 Nomura H01Q 1/1207
343/788
2011/0309116 A1 * 12/2011 Shindo A44B 11/006
224/164

* cited by examiner

Primary Examiner — Martie K Holtje

(74) *Attorney, Agent, or Firm* — Holtz, Holtz & Volek PC

(57) **CLAIM**

The ornamental design for a wristwatch, as shown and described.

DESCRIPTION

FIG. 1 is a front, right side, bottom perspective view of a wrist watch showing our new design;
FIG. 2 is a front elevational view thereof;
FIG. 3 is a rear elevational view thereof;
FIG. 4 is a left side view thereof;
FIG. 5 is a right side view thereof;
FIG. 6 is a top plan view thereof;
FIG. 7 is a bottom plan view thereof;
FIG. 8 is an enlarged front elevational view thereof; and,
FIG. 9 is a reference front elevational view drawn to the scale of FIG. 8.

The broken lines in FIG. 9 illustrate a state in which the wrist watch is electrified which forms no part of the claimed design.

1 Claim, 9 Drawing Sheets



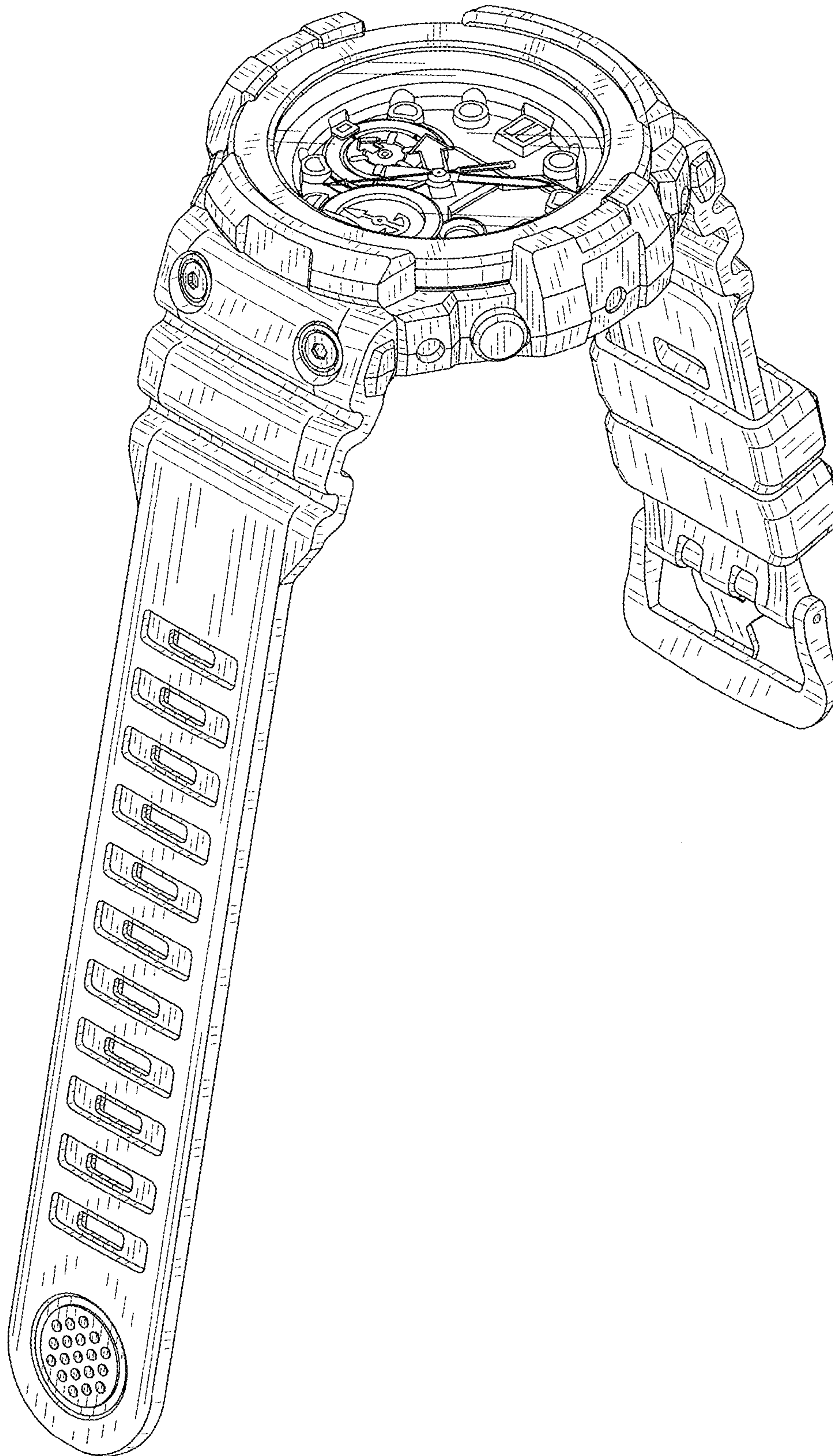


FIG. 1



FIG. 2

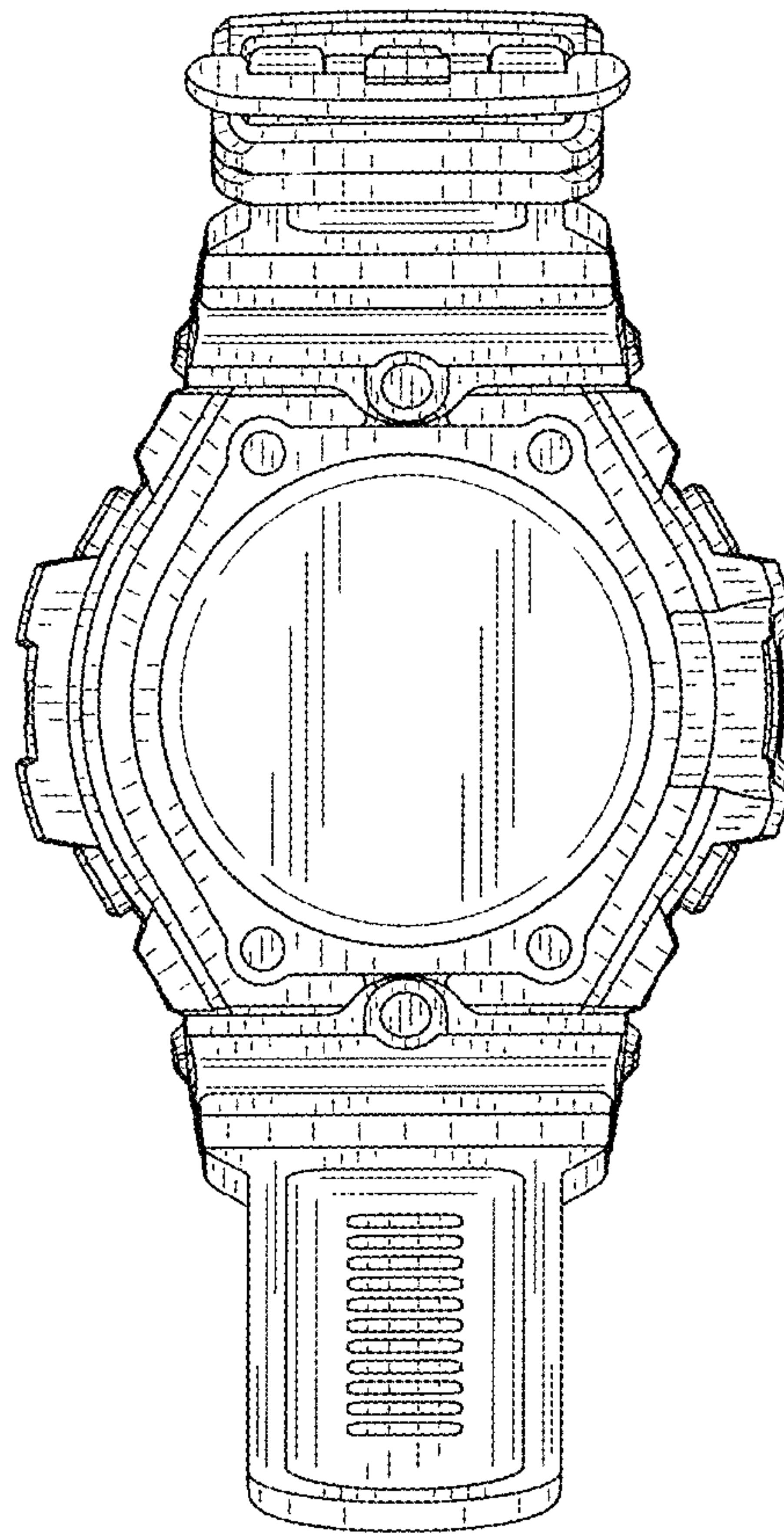


FIG. 3

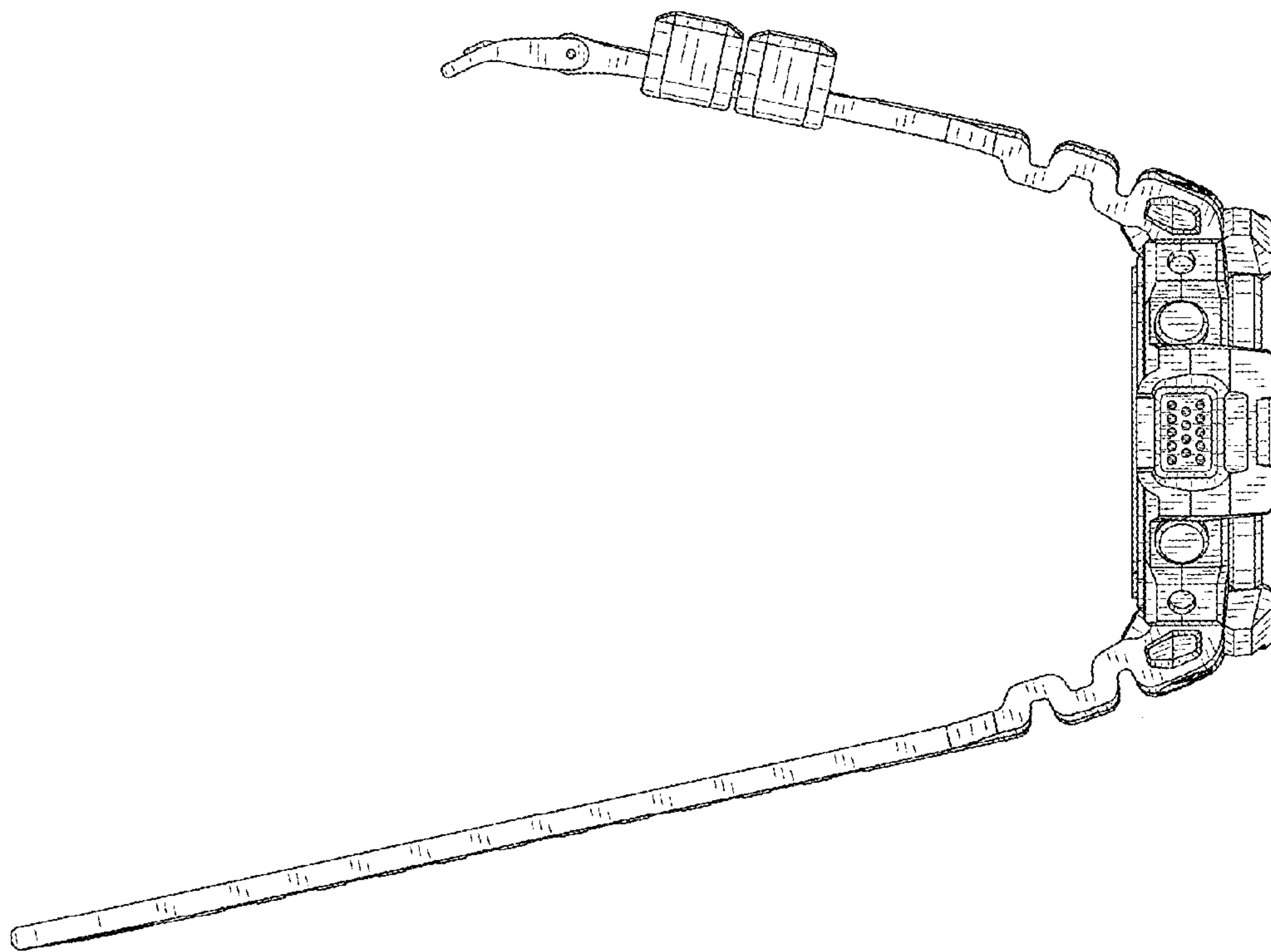


FIG. 4

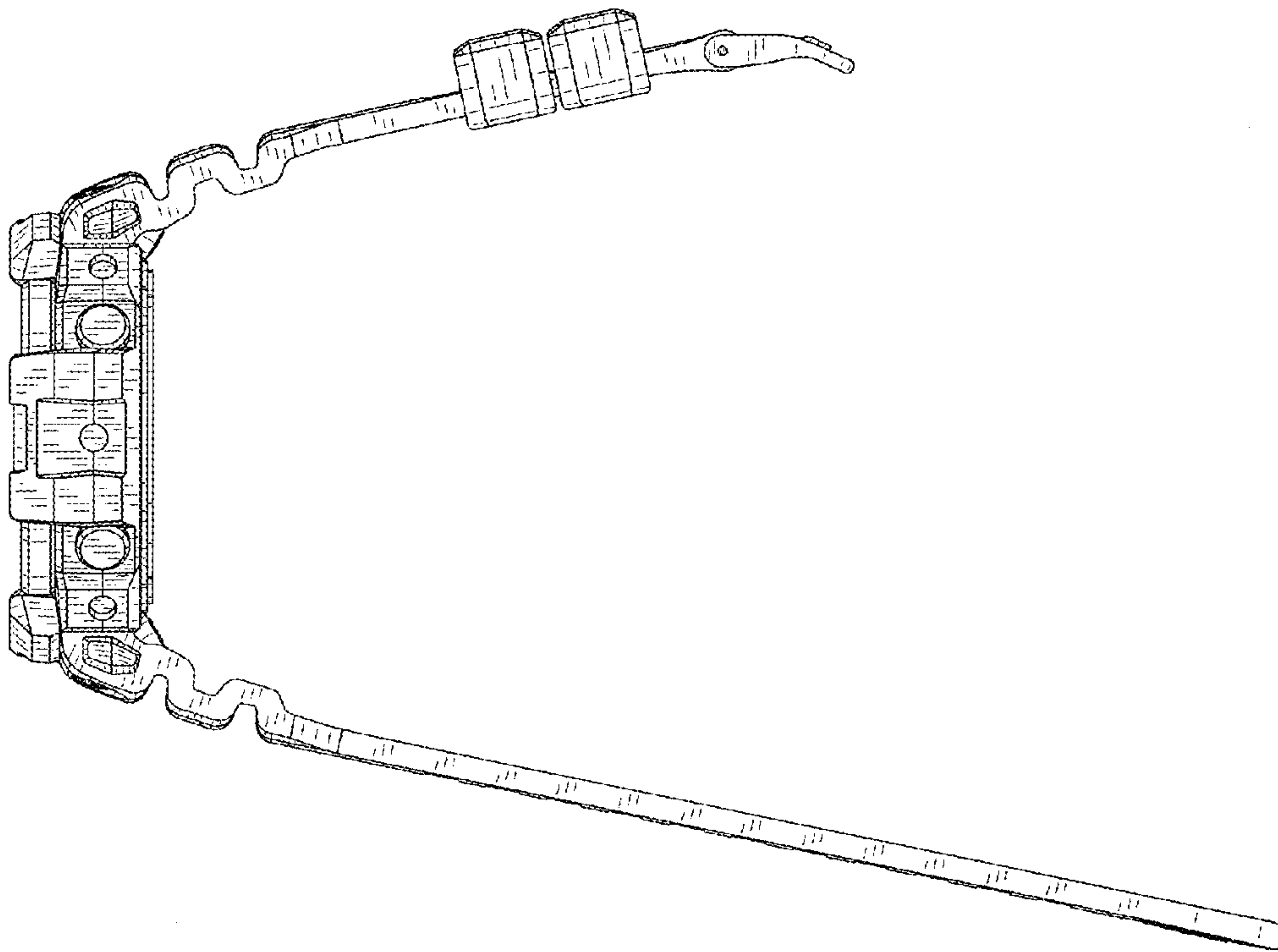


FIG. 5

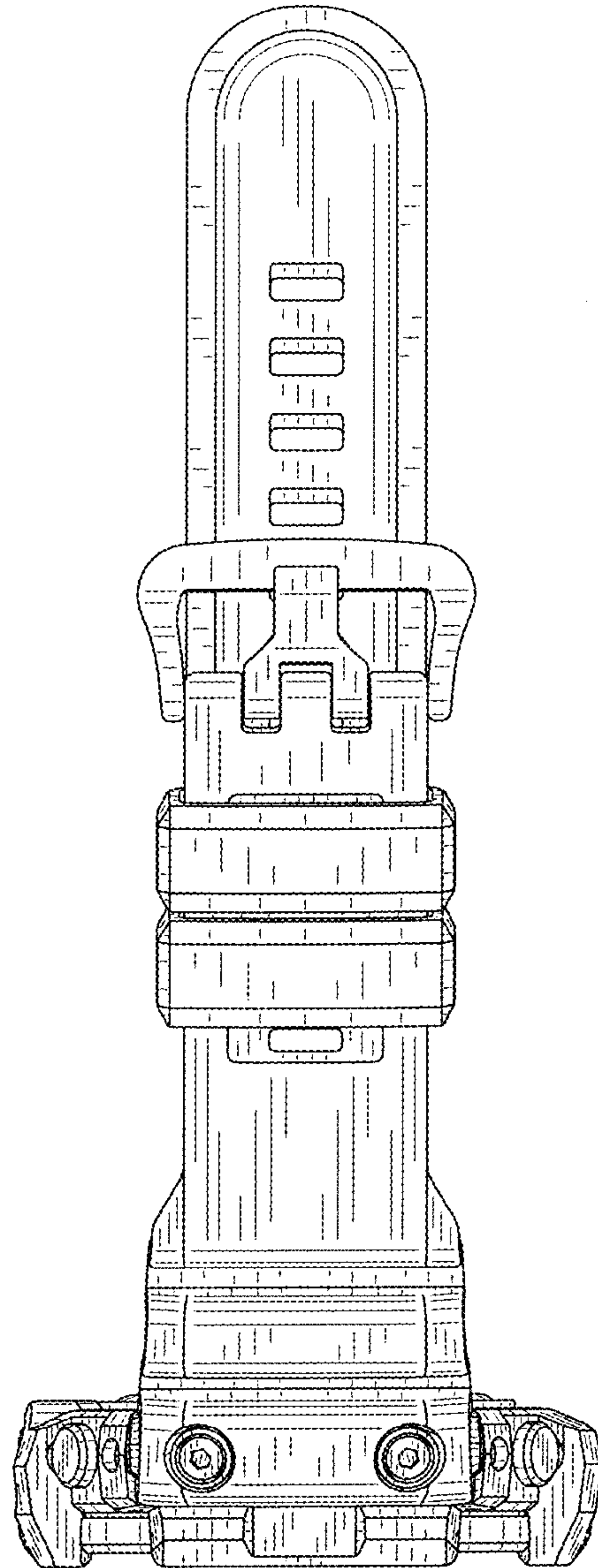


FIG. 6

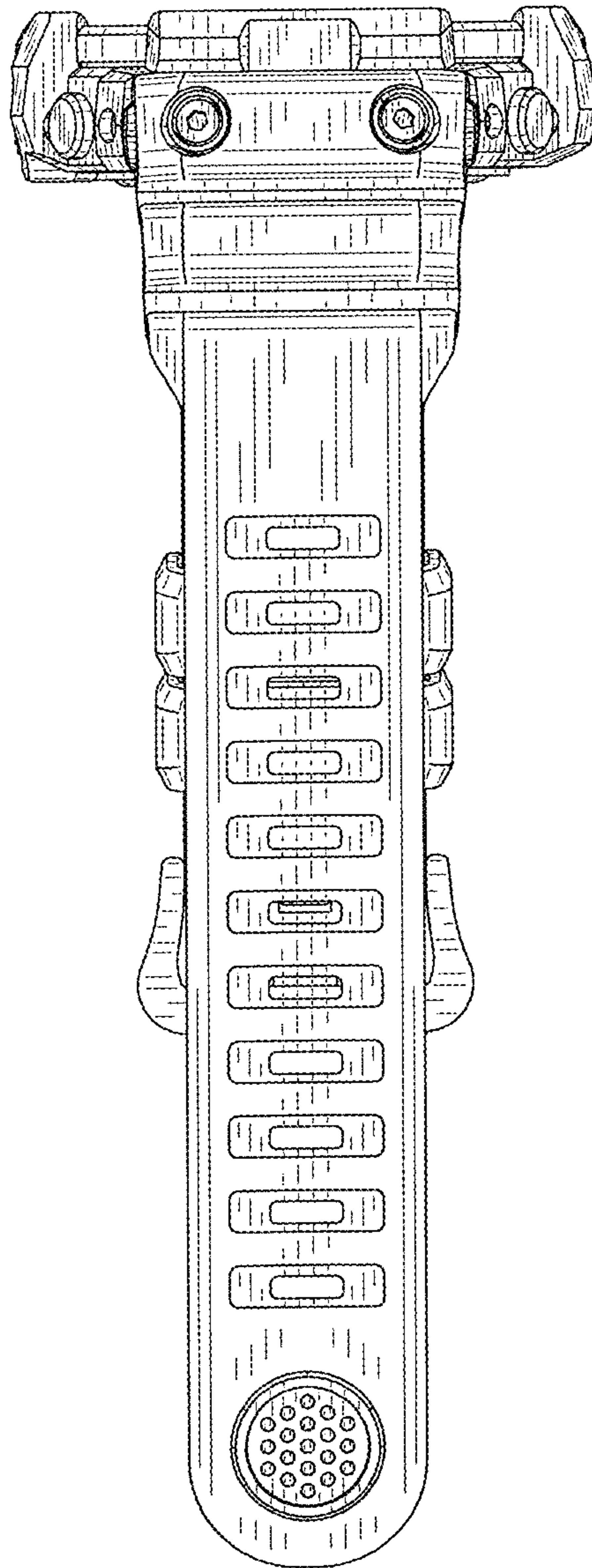


FIG. 7

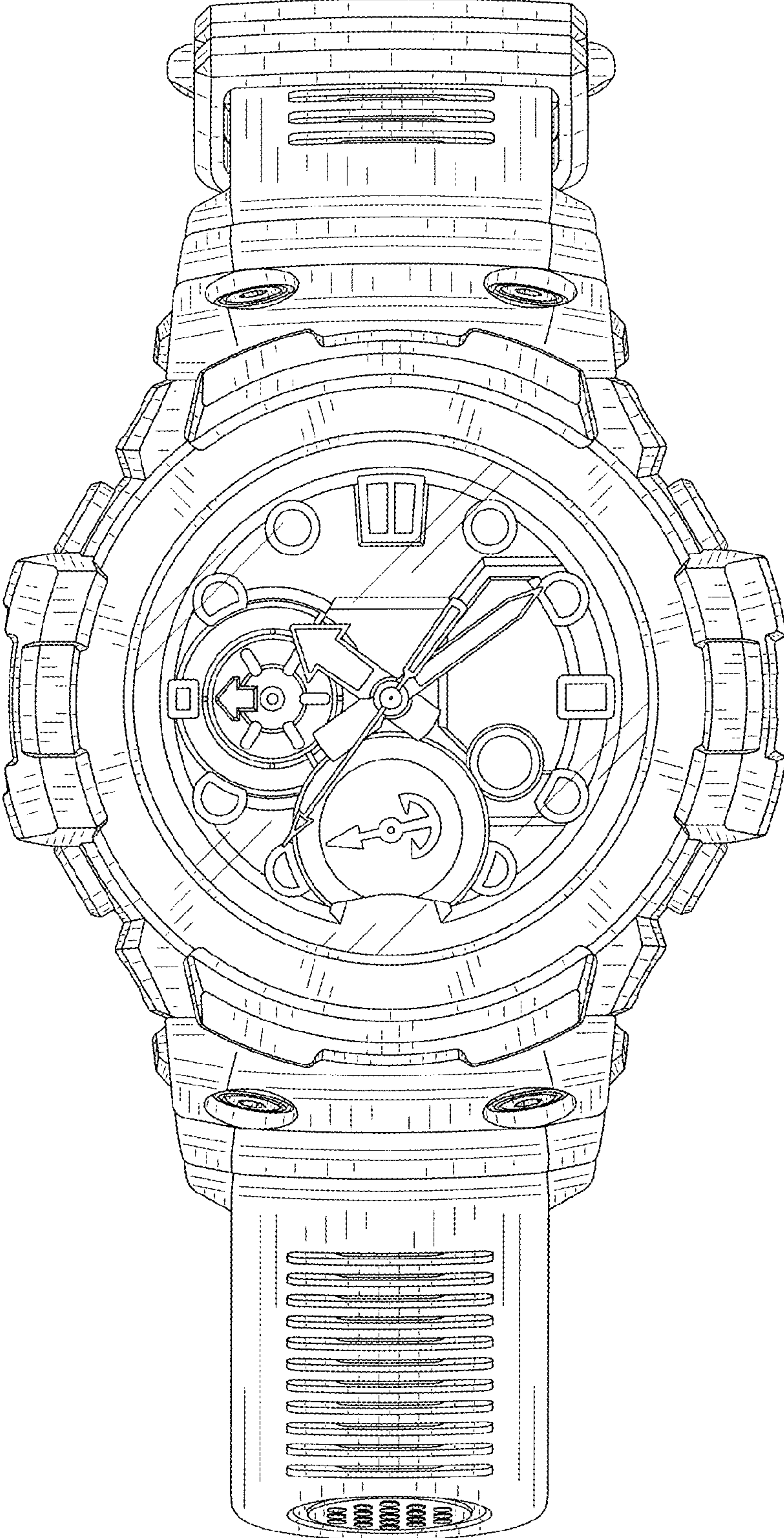


FIG. 8



FIG. 9