



US00D755060S

(12) **United States Design Patent**
Bayona Valero

(10) **Patent No.:** **US D755,060 S**
(45) **Date of Patent:** **** May 3, 2016**

(54) **CONTAINER FOR USED DISPOSABLE DRINKING-GLASSES**
(71) Applicant: **Gonzalo Bayona Valero**, Valencia (ES)
(72) Inventor: **Gonzalo Bayona Valero**, Valencia (ES)
(**) Term: **14 Years**
(21) Appl. No.: **29/512,556**
(22) Filed: **Dec. 19, 2014**
(30) **Foreign Application Priority Data**

5,215,133 A * 6/1993 Lambert A47K 1/09
141/364
5,573,152 A * 11/1996 Arnold B65D 23/003
215/399
5,782,495 A * 7/1998 Grosskopf B32B 7/04
283/81
D403,958 S * 1/1999 Stepek D9/434
D404,298 S * 1/1999 Weder D1/116
D464,262 S * 10/2002 Drennow D9/446
D478,005 S * 8/2003 Sali D9/435
D565,405 S * 4/2008 Lenci D9/434
D600,973 S * 9/2009 Lane D7/387
D602,773 S * 10/2009 Lendzyk D7/607
D626,409 S * 11/2010 Hooley D7/622
D643,746 S * 8/2011 Yoe, III D9/711
2005/0274753 A1 * 12/2005 Swentor A45F 5/10
224/148.6

Jun. 20, 2014 (ES) K2486993
(51) **LOC (10) Cl.** **09-05**
(52) **U.S. Cl.**
USPC **D9/711**
(58) **Field of Classification Search**
USPC D7/387, 391, 392, 392.1, 397, 404,
D7/602; D9/434-436, 440, 443-447, 449,
D9/450, 453-455, 499, 702-714;
215/399 X; 224/148.4, 148.6 X;
294/149 X; 383/30 X
CPC B31D 1/02; B65D 23/003; B65D 23/005;
G09F 2003/027
See application file for complete search history.

* cited by examiner

Primary Examiner — Robert M Spear
Assistant Examiner — Darcey E Heflin
(74) *Attorney, Agent, or Firm* — McNees Wallace & Nurick
LLC

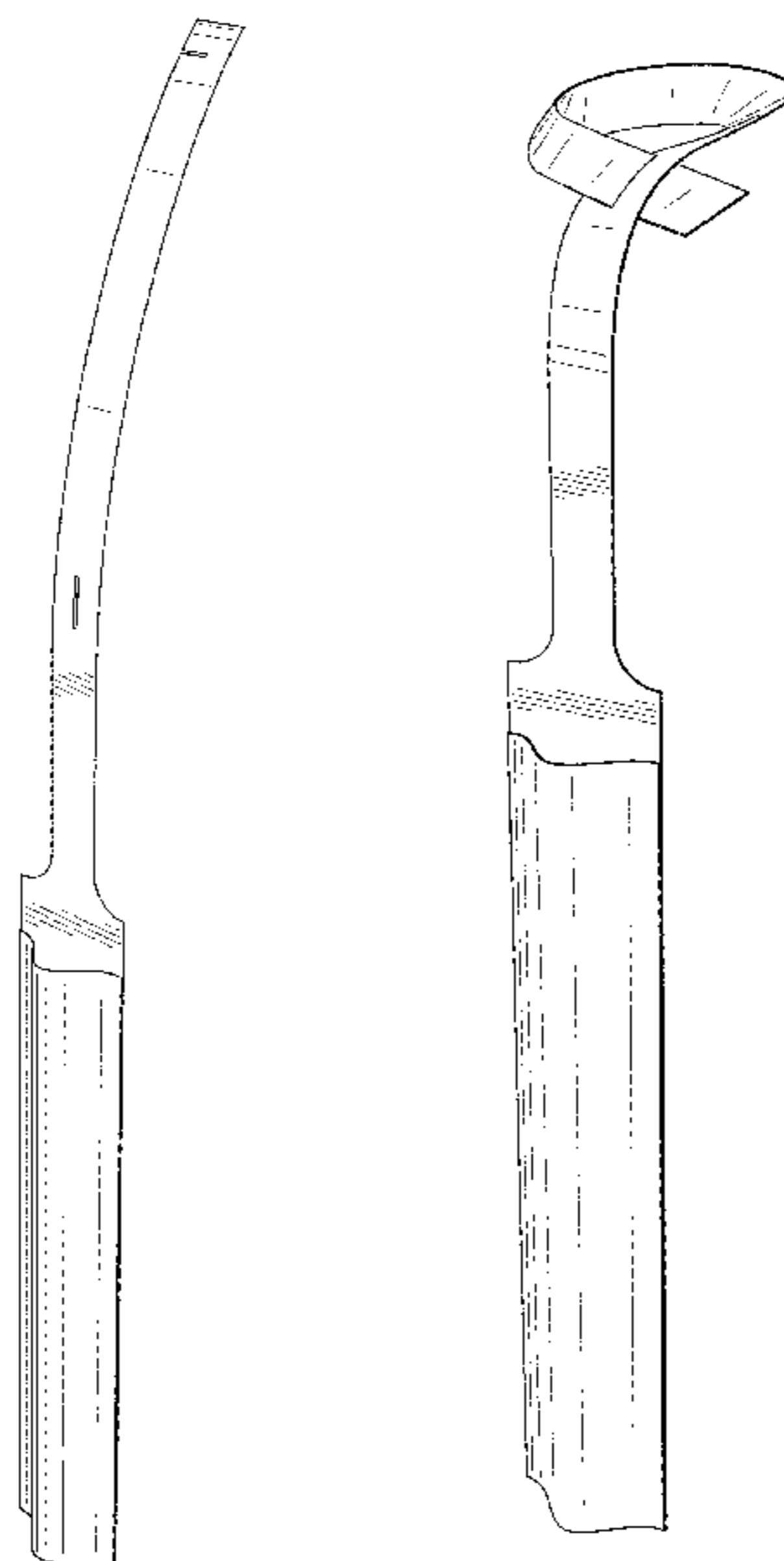
(57) **CLAIM**
What is claimed is the ornamental design for a container for used disposable drinking-glasses, as shown and described.

DESCRIPTION

FIG. 1 shows a front perspective view of a container for used disposable drinking-glasses, according to the disclosure.
FIG. 2 shows a rear perspective view thereof.
FIG. 3 shows a bottom view thereof.
FIG. 4 shows a front perspective view of the container for used disposable drinking-glasses in an alternate position; and,
FIG. 5 shows a rear perspective view of the container for used disposable drinking-glasses in an alternate position.

1 Claim, 5 Drawing Sheets

(56) **References Cited**
U.S. PATENT DOCUMENTS
D33,117 S * 8/1900 Shedd D9/713
D68,845 S * 11/1925 Barry D20/22
D247,954 S * 5/1978 Mosher D9/711
D247,955 S * 5/1978 Mosher D9/711
4,736,920 A * 4/1988 Omessi A61G 7/0503
215/398
5,135,125 A * 8/1992 Andel A61M 5/1417
215/12.1



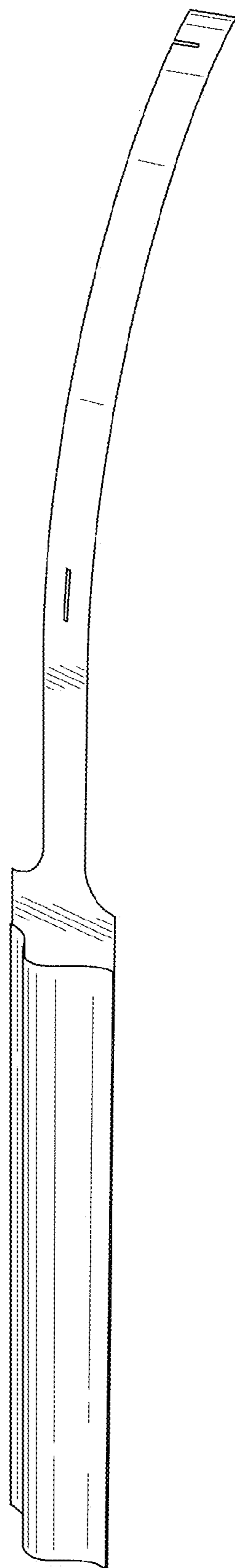


FIG. 1

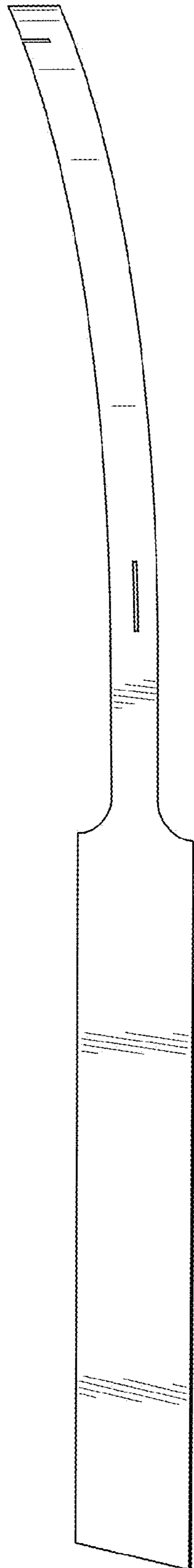


FIG. 2

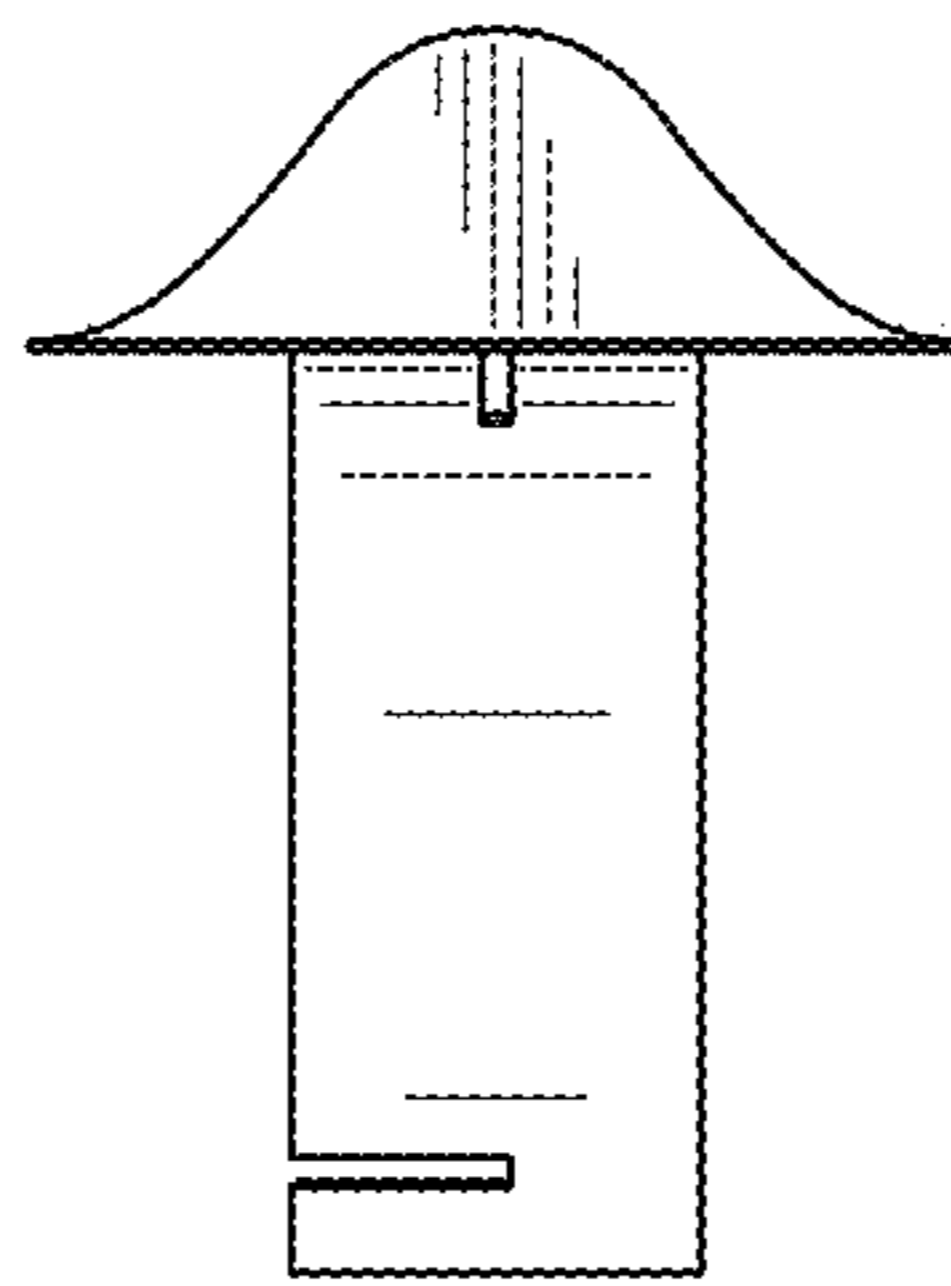


FIG. 3

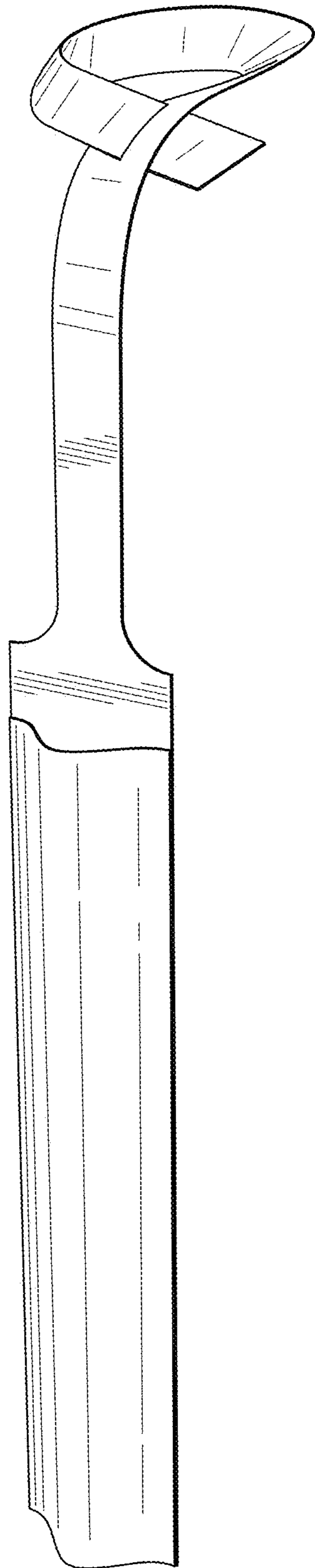


FIG. 4

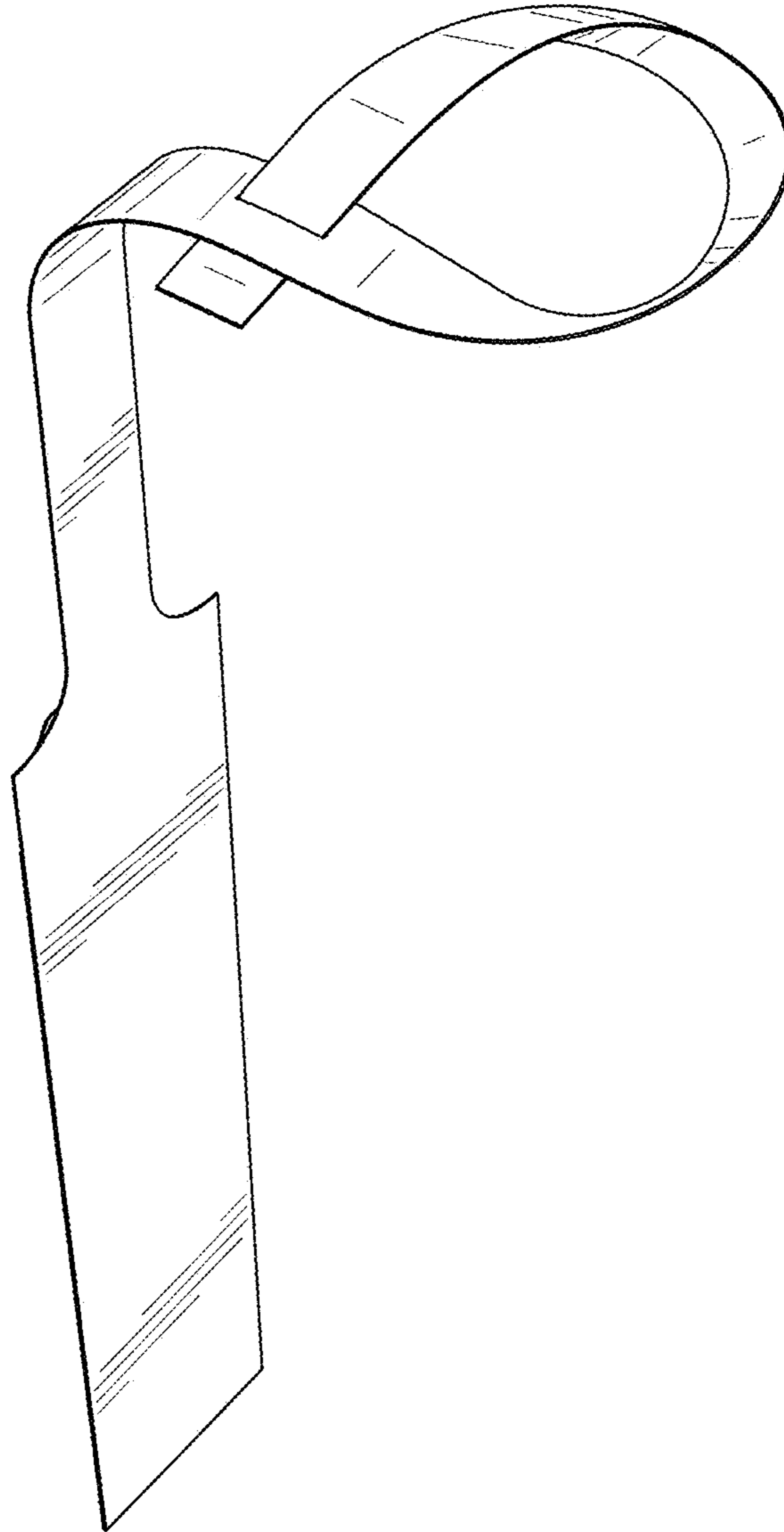


FIG. 5