



US00D755055S

(12) **United States Design Patent**
Holahan et al.

(10) **Patent No.:** **US D755,055 S**
(45) **Date of Patent:** **** May 3, 2016**

(54) **BOTTLE**

(56) **References Cited**

(71) Applicant: **Simply Thick LLC**, St. Louis, MO (US)

U.S. PATENT DOCUMENTS

(72) Inventors: **John Holahan**, St. Louis, MO (US);
John Allen Rone, St. Charles, MO (US);
Laura Flanagan-Kent, Decatur, GA
(US); **Melvin J. Leedle**, Bridgeton, MO
(US); **Bryce G. Rutter**, St. Louis, MO
(US)

D311,864 S *	11/1990	Davis	D9/528
D352,244 S *	11/1994	Cramer	D9/531
D401,154 S *	11/1998	Robinson	D9/528
D478,288 S *	8/2003	Frazer	D9/527
D536,983 S *	2/2007	Robinson	D9/528
D576,045 S *	9/2008	LeVasseur et al.	D9/531

* cited by examiner

(73) Assignee: **Simply Thick LLC**, St. Louis, MO (US)

Primary Examiner — Derrick Holland

Assistant Examiner — Janice Lim

(**) Term: **14 Years**

(74) *Attorney, Agent, or Firm* — Polster, Lieder, Woodruff & Lucchesi, LC

(21) Appl. No.: **29/507,614**

(57) **CLAIM**

The ornamental design for a bottle, as shown and described.

(22) Filed: **Oct. 29, 2014**

DESCRIPTION

(51) **LOC (10) Cl.** **09-01**

FIG. 1 is a rear perspective view of a bottle, shown in an enlarged scale, showing our new design; FIG. 2 is a side elevational view thereof; FIG. 3 is an opposite side elevational view thereof; FIG. 4 is a front elevational view thereof; FIG. 5 is a rear elevational view thereof; FIG. 6 is a top plan view thereof; and, FIG. 7 is a bottom plan view thereof.

(52) **U.S. Cl.**

USPC **D9/531**

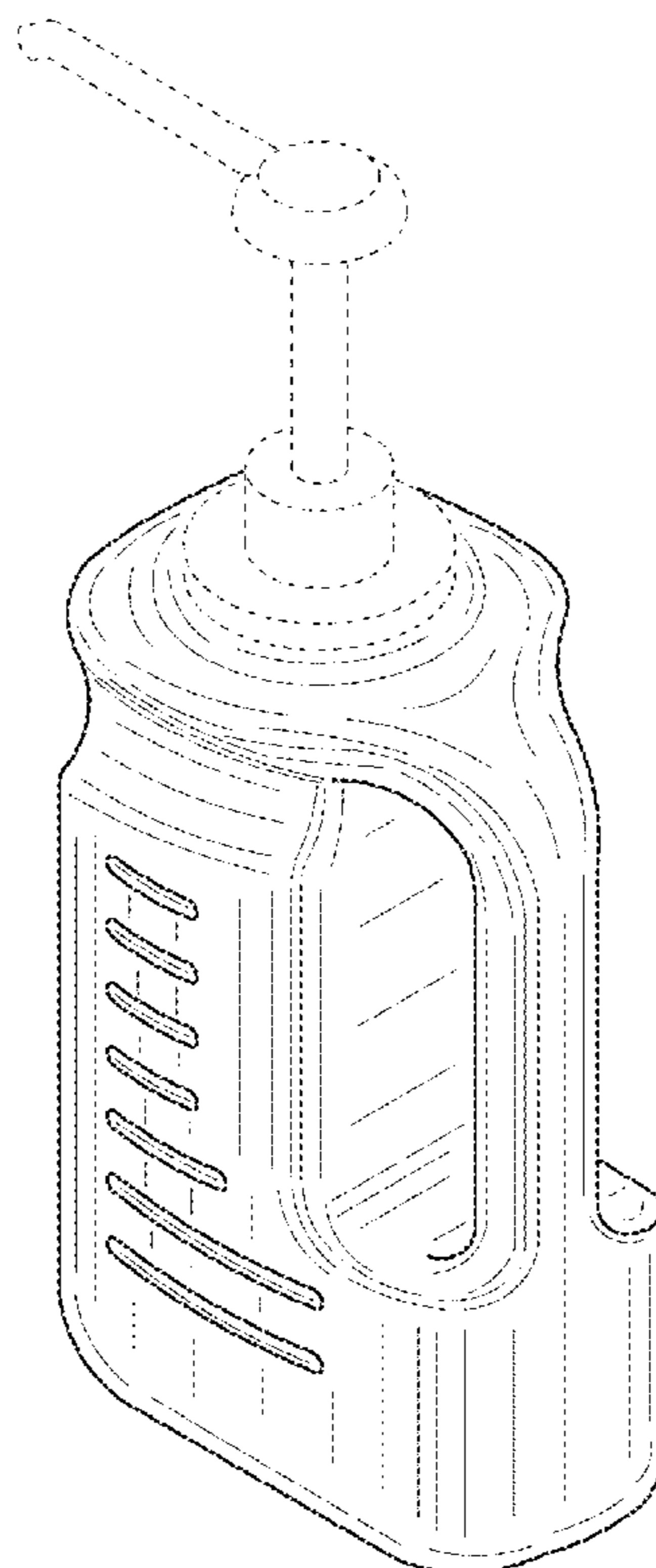
(58) **Field of Classification Search**

USPC D9/516, 522, 528, 530, 531, 536, 543,
D9/563, 564, 567, 572-574; 215/14, 214,
215/217, 223, 379, 382-385, 396, 398;
220/200, 890; 222/210, 212, 215
CPC B65D 1/02; B65D 1/46; B65D 23/10;
B65D 53/00; B65D 90/02

The broken line portions of FIGS. 1-7 are included to show unclaimed subject matter only and form no part of the claimed design.

See application file for complete search history.

1 Claim, 2 Drawing Sheets



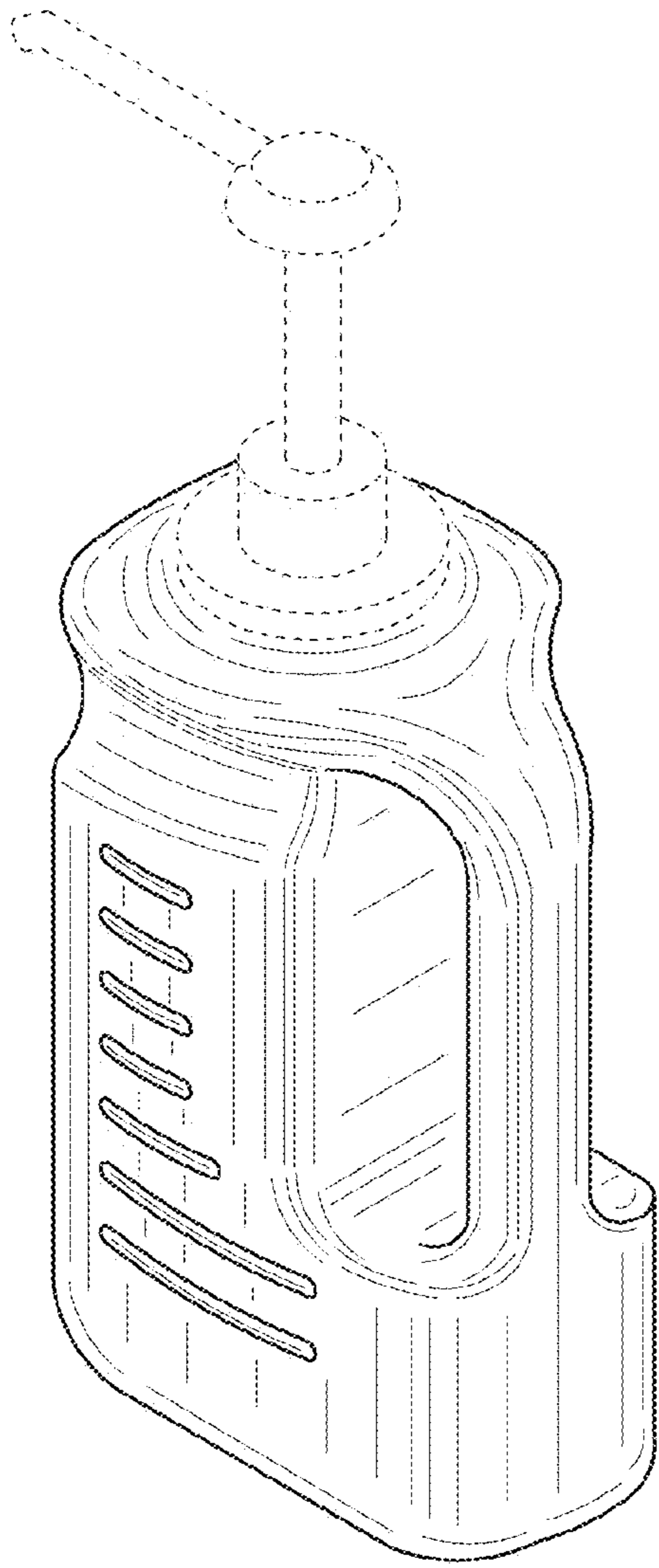


FIG. 1

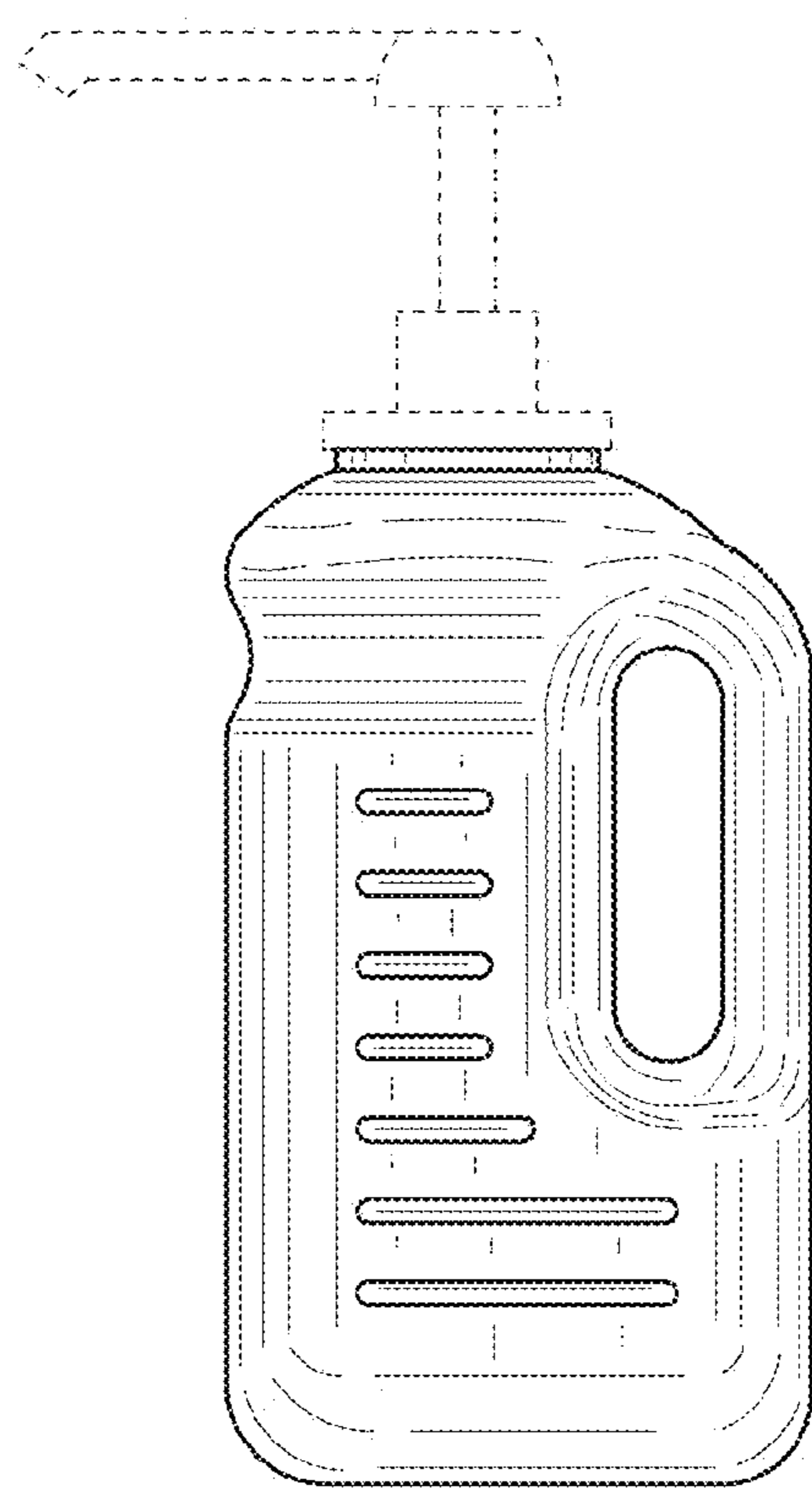


FIG. 2

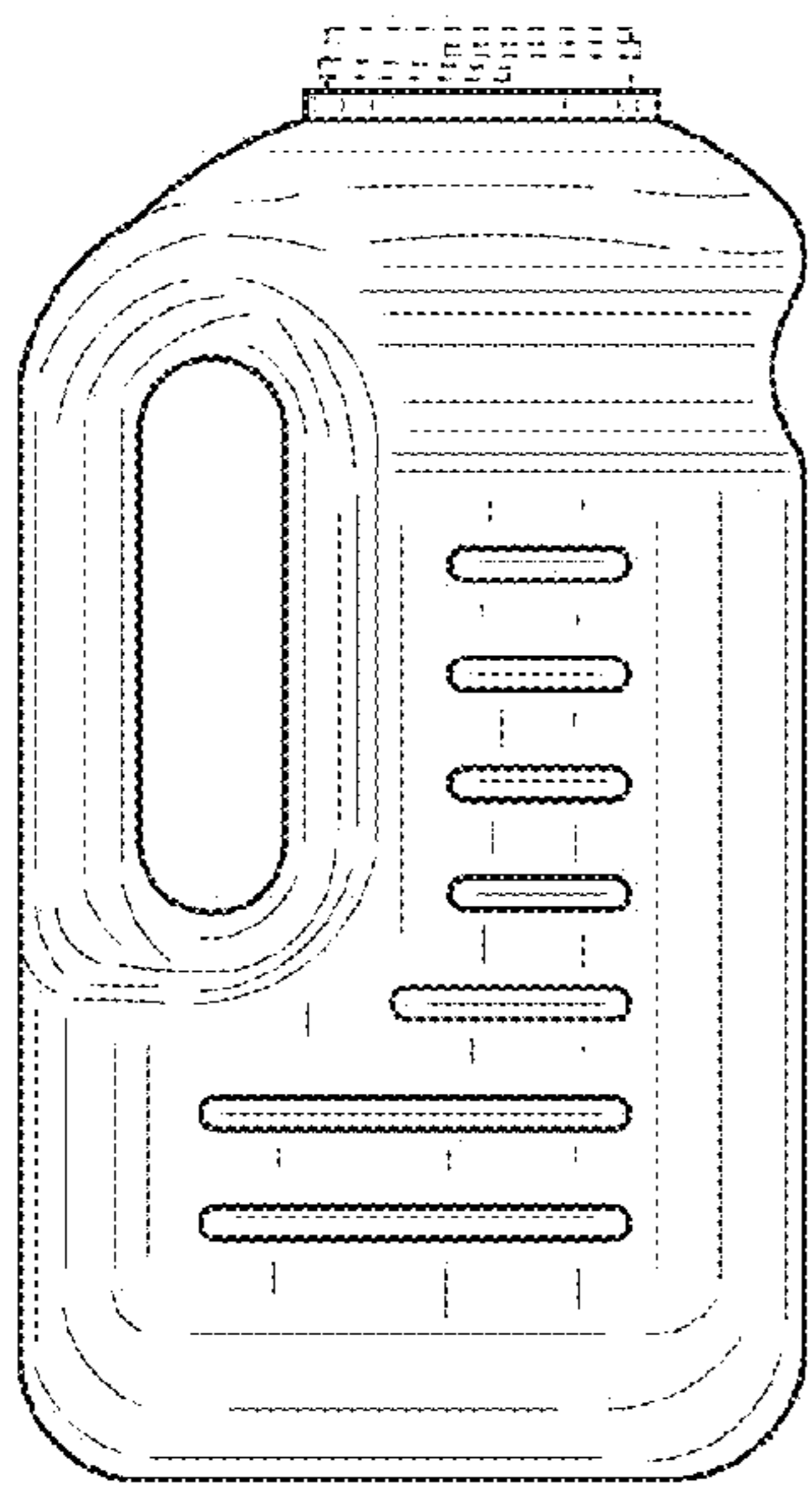


FIG. 3

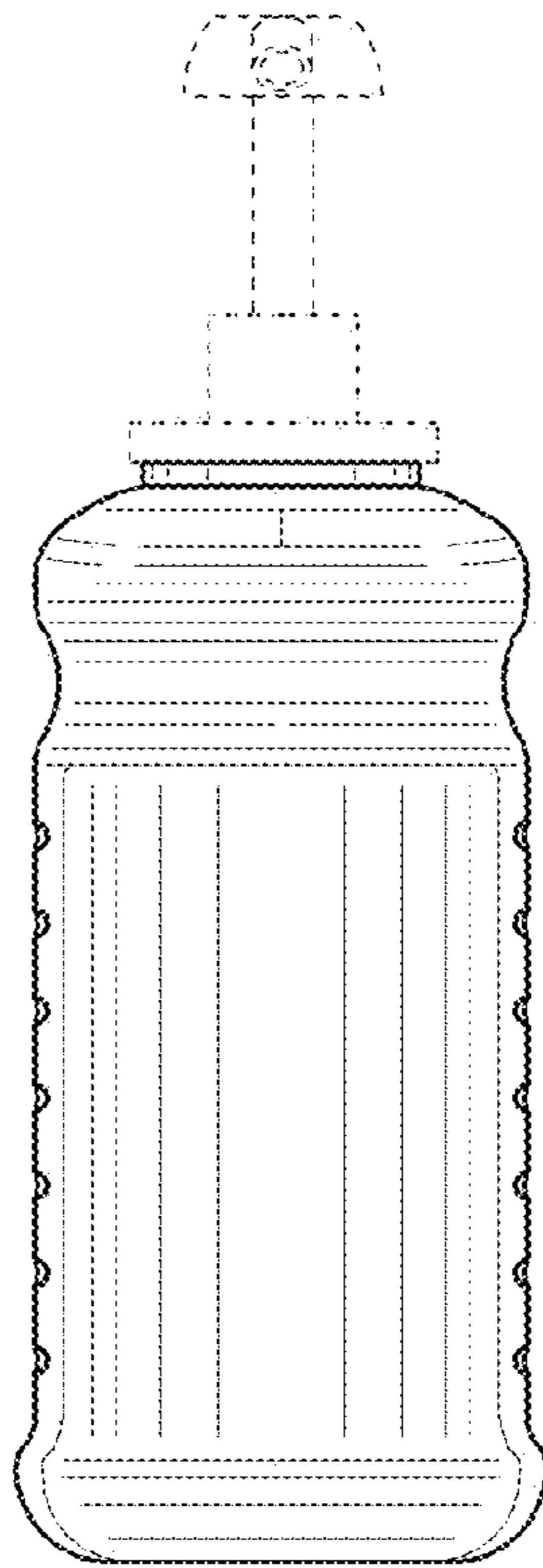


FIG. 4

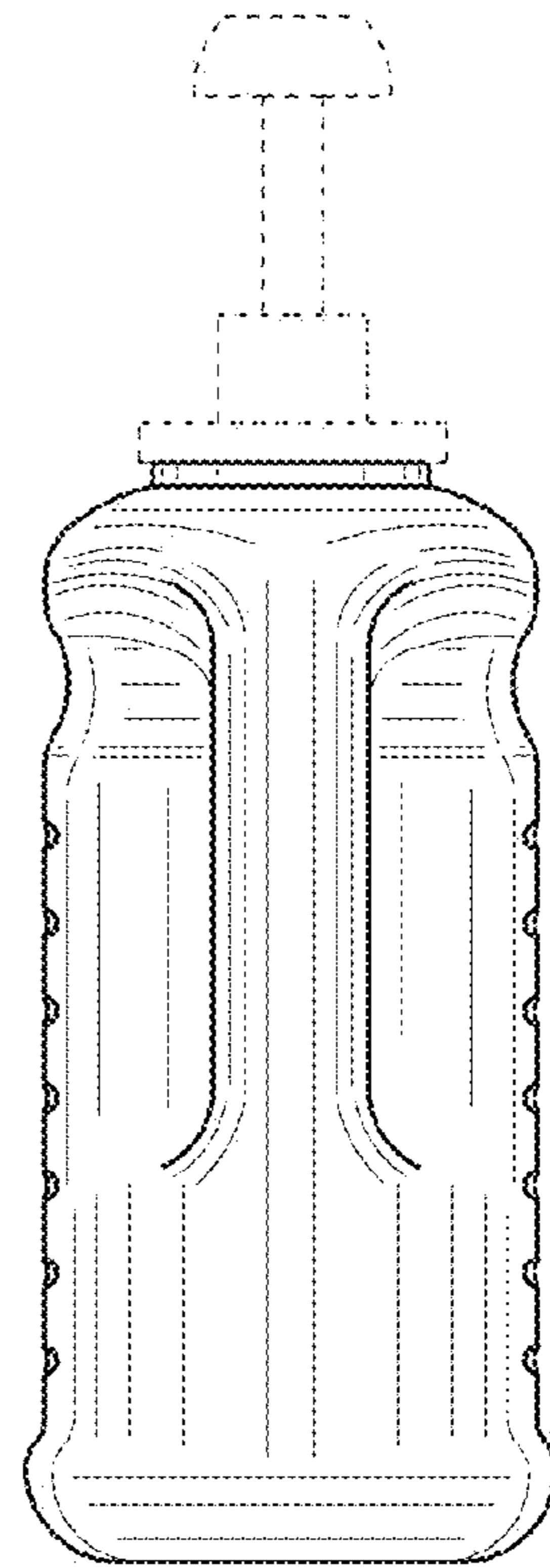


FIG. 5

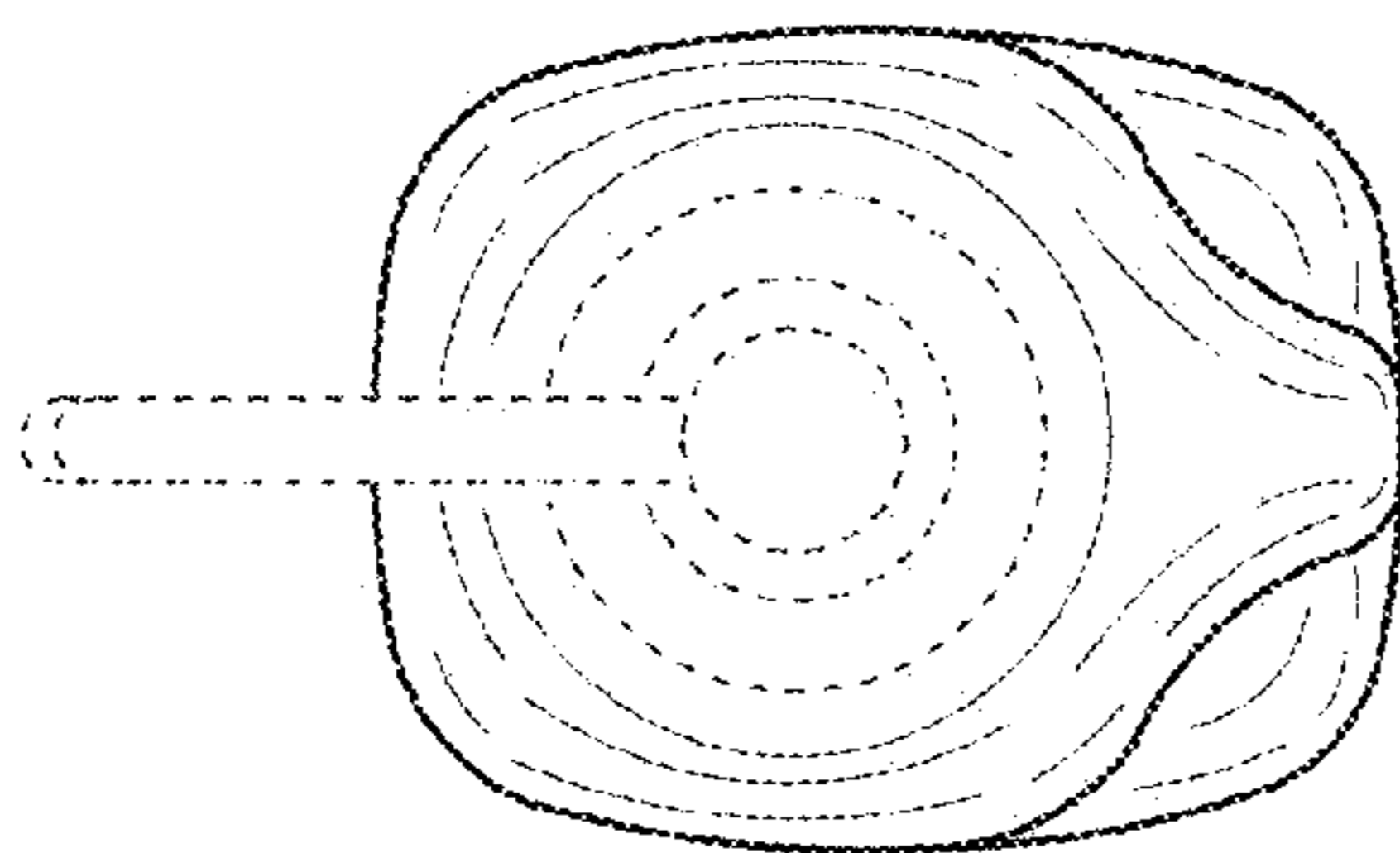


FIG. 6

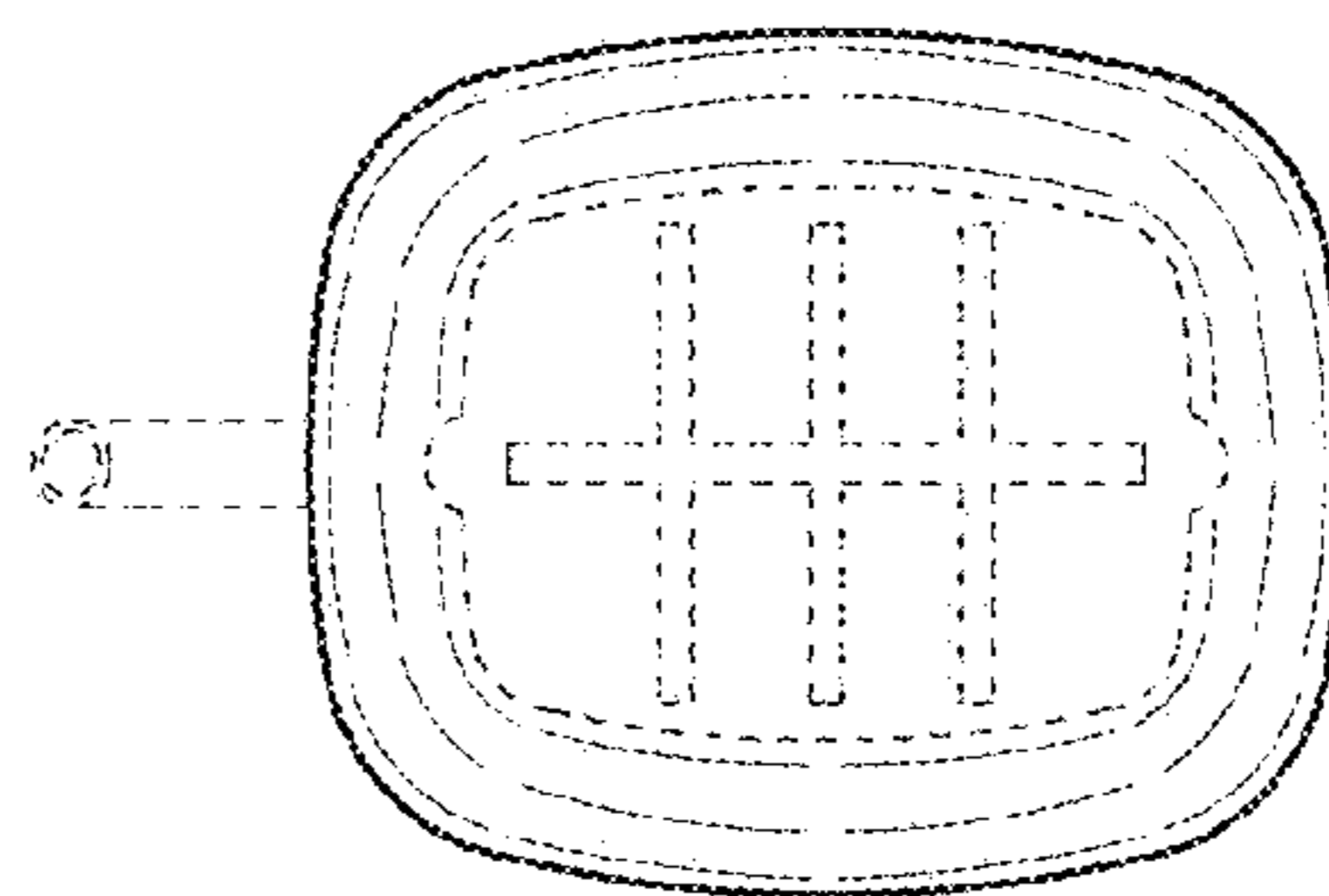


FIG. 7