



US00D755054S

(12) **United States Design Patent**
Davis et al.

(10) **Patent No.:** **US D755,054 S**
(45) **Date of Patent:** **** May 3, 2016**

(54) **CONTAINER**

(71) Applicant: **Robinsons Soft Drinks Limited**, Hemel Hempstead (GB)

(72) Inventors: **William John Davis**, Bath (GB); **David James McNeill**, Bath (GB)

(73) Assignee: **ROBINSONS SOFT DRINKS LIMITED**, Hemel Hempstead (GB)

(**) Term: **15 Years**

(21) Appl. No.: **29/527,480**

(22) Filed: **May 19, 2015**

Related U.S. Application Data

(63) Continuation of application No. 29/471,690, filed on Nov. 4, 2013, now Pat. No. Des. 741,182.

Foreign Application Priority Data

Aug. 8, 2013 (EM) 002288936

Nov. 19, 2014 (EM) 002581371

(51) **LOC (10) Cl.** **09-01**

(52) **U.S. Cl.**
USPC **D9/529**

(58) **Field of Classification Search**

USPC D9/682, 685, 686, 687, 688, 689,
D9/690-692, 693, 694, 516-548, 549-558,
D9/559-562, 563-574, 575, 434, 435;
215/379, 381-384; D7/507-511;
D24/197; D3/202

CPC B65D 2501/0081; B65D 39/0023;
B65D 39/0052; B65D 11/02

See application file for complete search history.

(56) **References Cited**

U.S. PATENT DOCUMENTS

D71,162 S 9/1926 Smith
D101,011 S 8/1936 Scurlock
D202,662 S 10/1965 Williams
D240,829 S 8/1976 Jones
D247,348 S 2/1978 Grodin
D259,095 S 5/1981 Benedict
D279,077 S 6/1985 Drummond, Jr.
5,038,974 A 8/1991 DaCosta
D322,754 S 12/1991 Halm

(Continued)

OTHER PUBLICATIONS

Photograph of "Crystal Light Liquid," which was on sale in the U.S. prior to Nov. 4, 2013 (1 page).

(Continued)

Primary Examiner — Cynthia Ramirez

Assistant Examiner — Gino Colan

(74) *Attorney, Agent, or Firm* — Nixon Peabody LLP

(57) **CLAIM**

The ornamental design for container, as shown and described.

DESCRIPTION

FIG. 1 is a perspective view of a container showing our new design.

FIG. 2 is a front elevation view of the container of FIG. 1.

FIG. 3 is a back elevation view of the container of FIG. 1.

FIG. 4 is a left side elevation view of the container of FIG. 1.

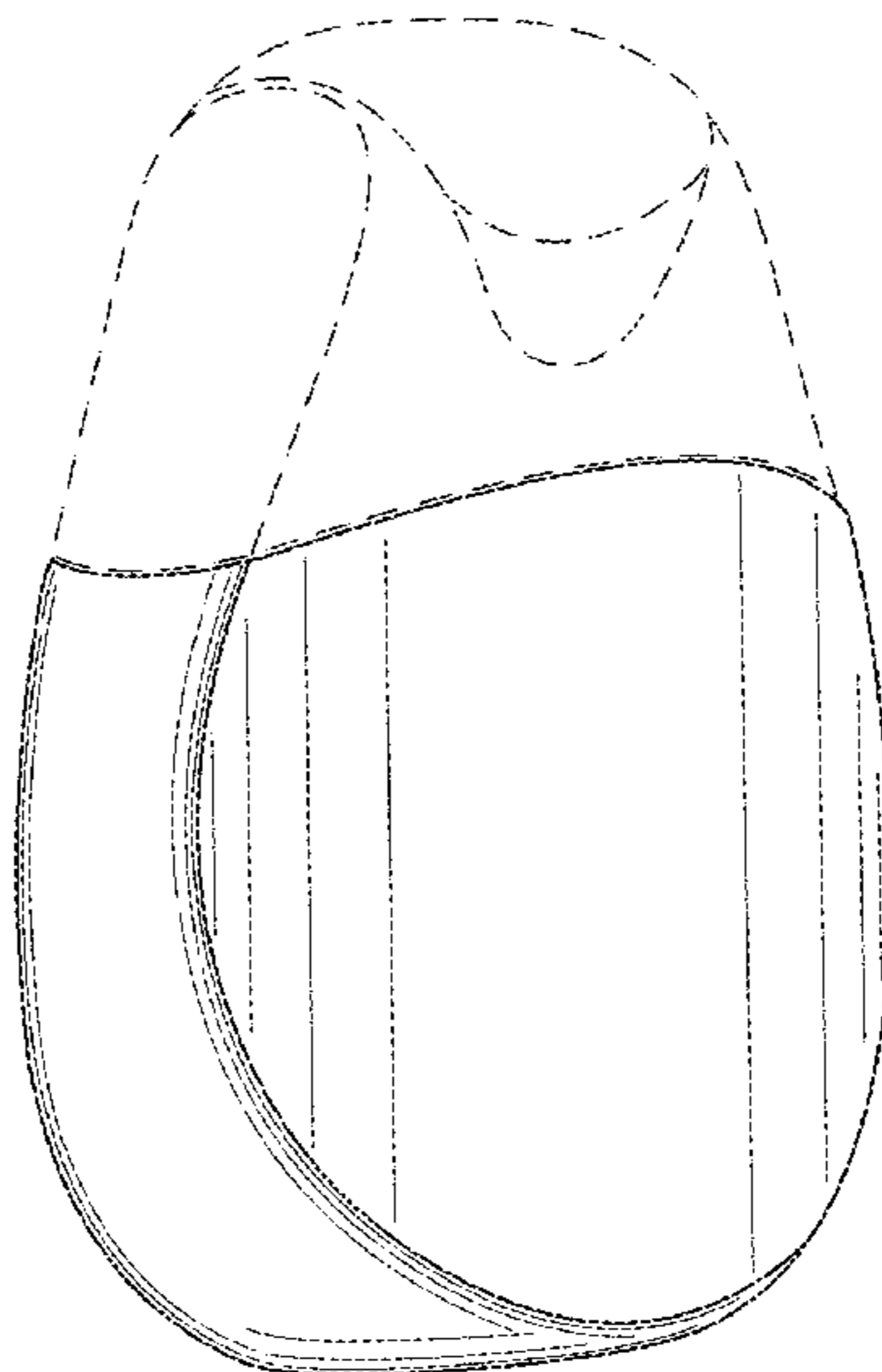
FIG. 5 is a right side elevation view of the container of FIG. 1.

FIG. 6 is a top plan view of the container of FIG. 1; and,

FIG. 7 is a bottom plan view of the container of FIG. 1.

The portions of the drawings shown in broken lines represent environmental structure and form no part of the claimed design.

1 Claim, 5 Drawing Sheets



(56)

References Cited

U.S. PATENT DOCUMENTS

D328,865 S 8/1992 Crawford
 D336,614 S 6/1993 Crawford
 D343,361 S 1/1994 More
 D347,389 S 5/1994 Crawford
 D349,058 S 7/1994 Farce
 D367,004 S 2/1996 Herbst
 D383,972 S 9/1997 Weiss
 D391,855 S 3/1998 Fenton
 D414,117 S 9/1999 Mikla
 D428,579 S 7/2000 Waitzenegger
 D438,459 S 3/2001 Holthaus
 D447,953 S 9/2001 Brynestad
 D463,744 S 10/2002 Brozell
 D463,747 S 10/2002 Peon
 D471,818 S 3/2003 Weber
 D482,286 S 11/2003 Samson
 D486,065 S 2/2004 Hutchinson
 D498,415 S 11/2004 Schuller
 D527,640 S 9/2006 Cummings
 D533,966 S 12/2006 Bakic
 D536,253 S 2/2007 Howes
 D538,668 S 3/2007 Campbell
 D540,188 S 4/2007 Karussi
 D541,161 S 4/2007 Ames
 D542,141 S 5/2007 Okin
 D544,351 S 6/2007 Dittmer
 D547,190 S 7/2007 Kuzma
 D574,246 S 8/2008 Russell
 D580,767 S 11/2008 Okin
 D581,794 S 12/2008 Haubert, III
 D585,290 S 1/2009 Toh
 D587,117 S 2/2009 Crawford
 D588,459 S 3/2009 Davis et al.
 D588,460 S 3/2009 Davis
 D588,461 S 3/2009 Davis
 D588,462 S 3/2009 Davis
 D590,264 S 4/2009 Schwartz
 D592,957 S 5/2009 Davis
 D598,753 S 8/2009 Schwartz
 D601,899 S 10/2009 Davis
 D601,907 S 10/2009 Gainey

D602,356 S 10/2009 Shurtleff
 D608,647 S 1/2010 Toh
 D609,098 S 2/2010 Almstead, Jr.
 D610,022 S 2/2010 Kanfer et al.
 D614,024 S 4/2010 Eason
 D623,054 S 9/2010 Eason
 D628,490 S 12/2010 Sato
 D638,713 S 5/2011 de Cleir
 D638,714 S 5/2011 de Cleir
 D638,715 S 5/2011 Albaum
 D644,516 S 9/2011 Howell
 D644,517 S 9/2011 Howell
 D644,518 S 9/2011 Howell
 D644,519 S 9/2011 Howell
 D644,520 S 9/2011 Howell
 D644,524 S 9/2011 Howell
 D644,529 S 9/2011 Padain
 D644,530 S 9/2011 Padain
 D644,531 S 9/2011 Padain
 D645,734 S 9/2011 Eason
 D650,686 S 12/2011 de Cleir
 D651,903 S 1/2012 Teller
 D661,994 S 6/2012 Van Den Wouwer
 D666,103 S 8/2012 Blachford
 D677,572 S 3/2013 Papiernik
 D677,573 S 3/2013 Papiernik
 8,511,472 B2 8/2013 Dupuis
 D690,202 S 9/2013 Beck
 2007/0023453 A1 2/2007 Simkins
 2007/0102455 A1 5/2007 Stark
 2007/0253761 A1 11/2007 May

OTHER PUBLICATIONS

Photograph of "Dasani Drops," which was on sale in the U.S. prior to Nov. 4, 2013 (1 page).
 Photograph of "Kook-Aid Liquid," which was on sale in the U.S. prior to Nov. 4, 2013 (1 page).
 Photograph of "Market Pantry Liquid Water Enhancer," which was on sale in the U.S. prior to Nov. 4, 2013 (1 page).
 Photograph of "Nestea Liquid Water Enhancer," which was on sale in the U.S. prior to Nov. 4, 2013 (1 page).
 Photograph of "Powerade Zero Drops," which was on sale in the U.S. prior to Nov. 4, 2013 (1 page).
 Photographs of "Mio Liquid Water Enhancer," which was on sale in the U.S. prior to Nov. 4, 2013 (1 page).

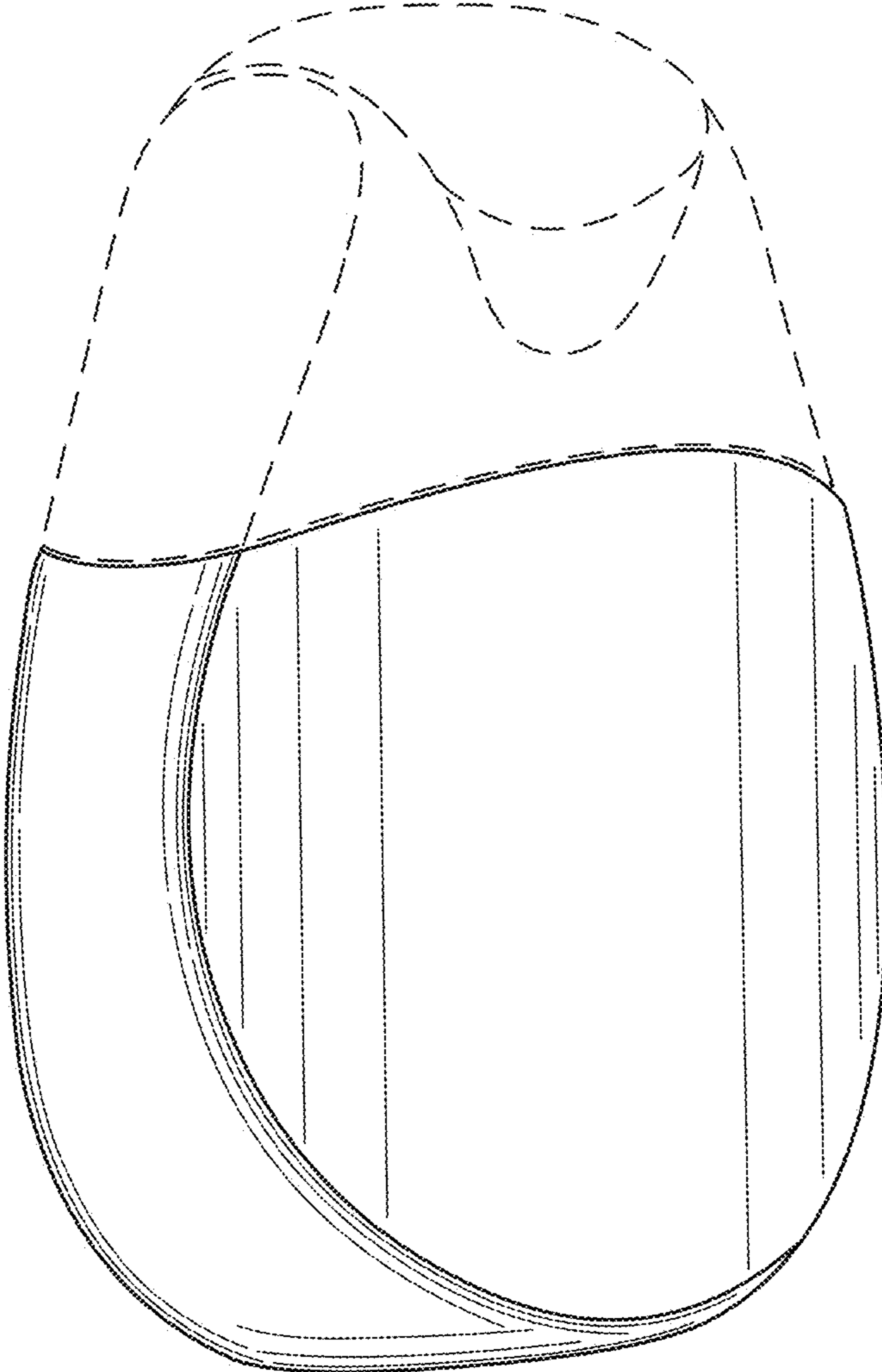


FIG. 1

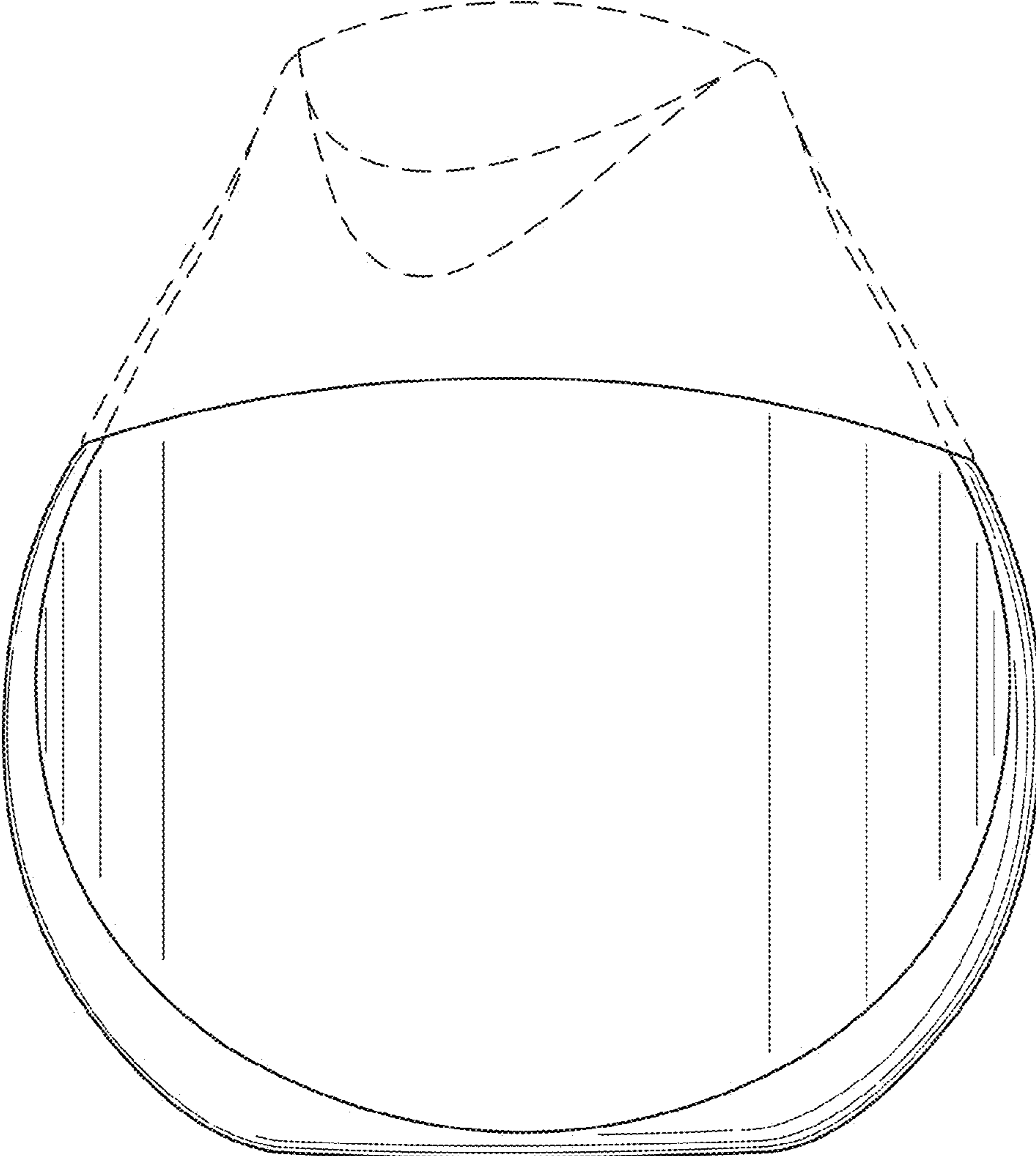


FIG. 2

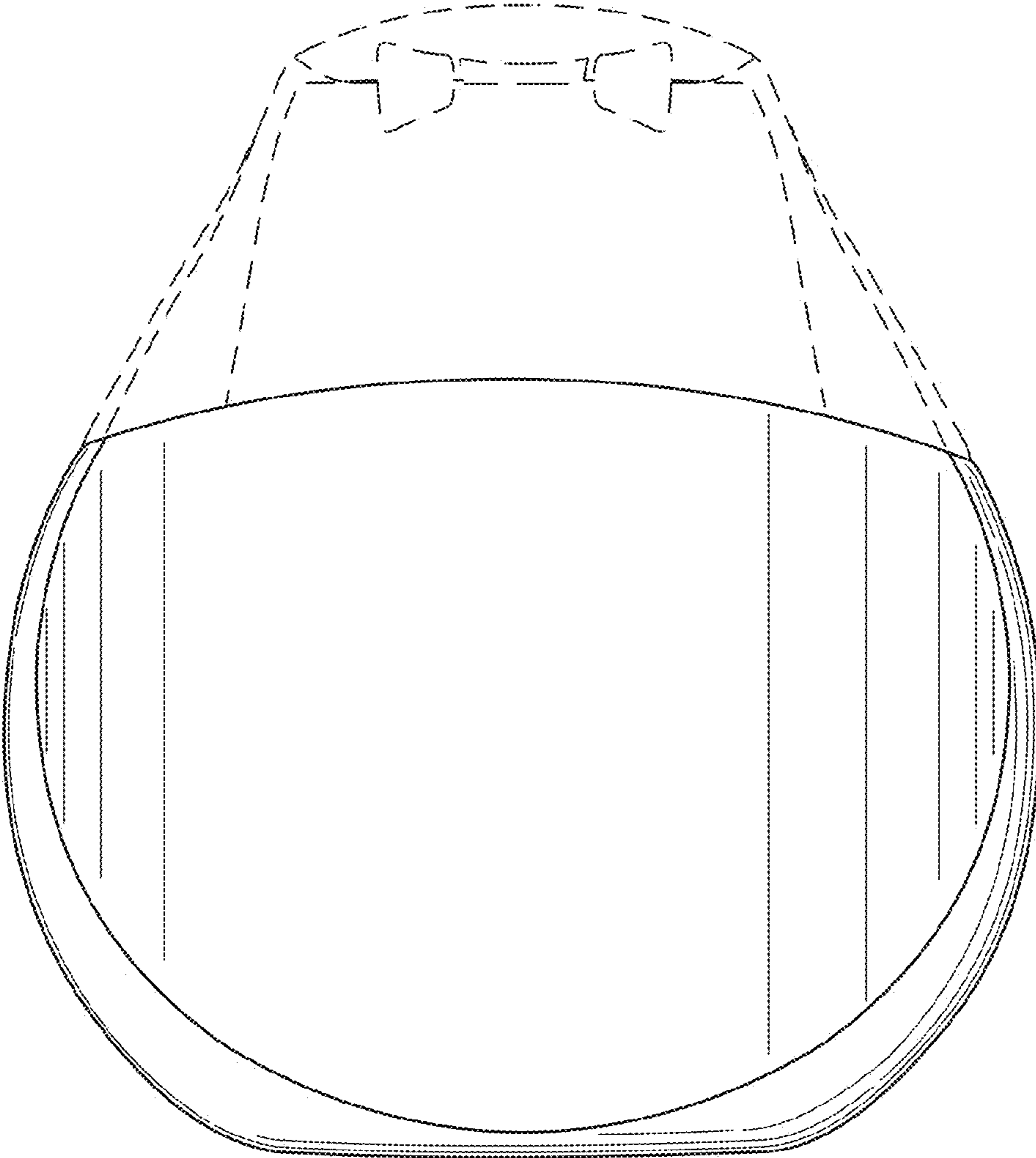


FIG. 3

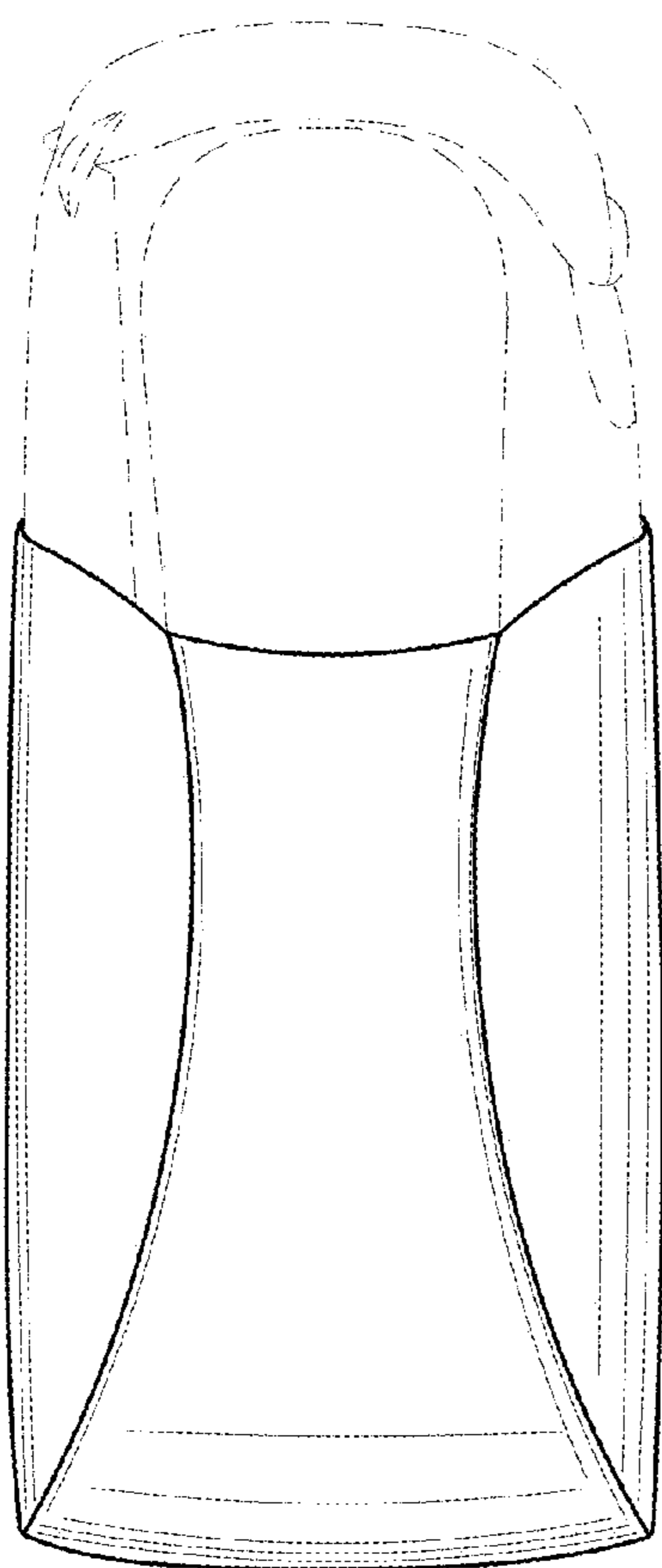


FIG. 4

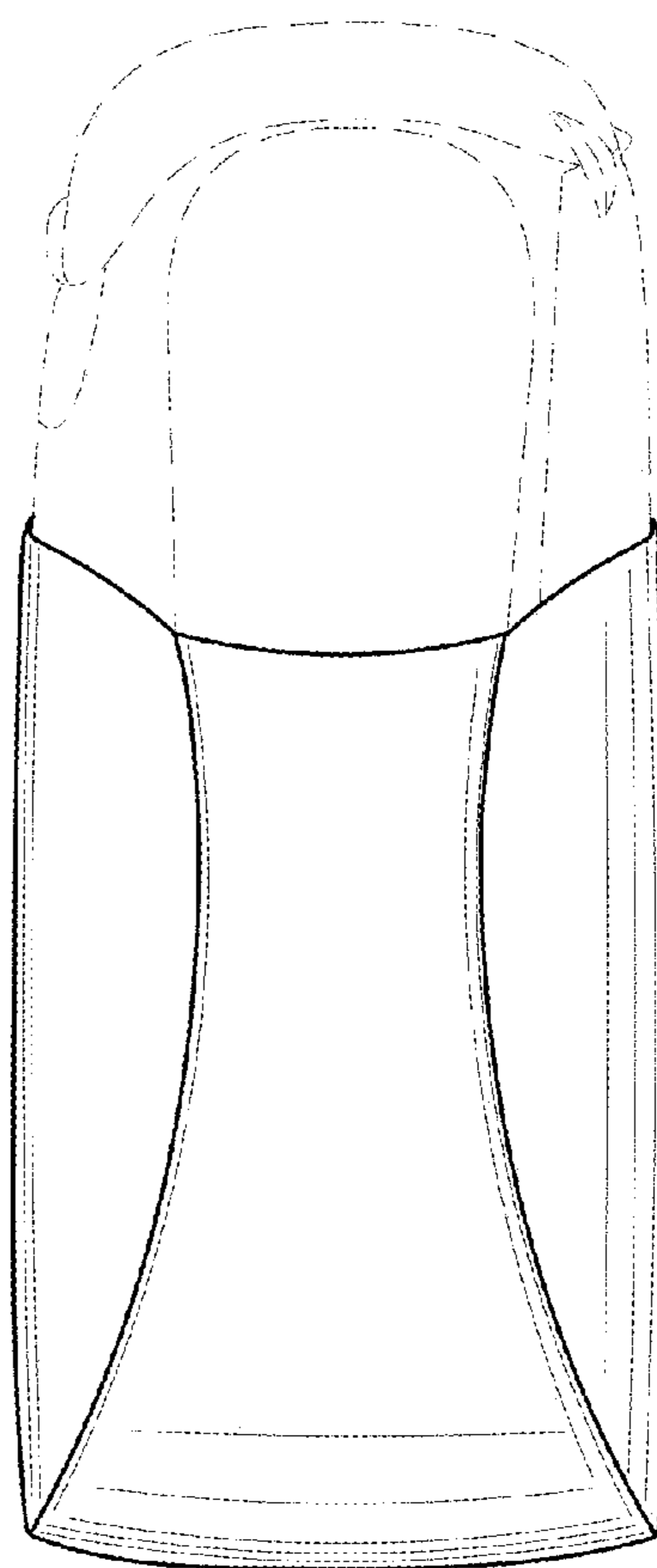


FIG. 5

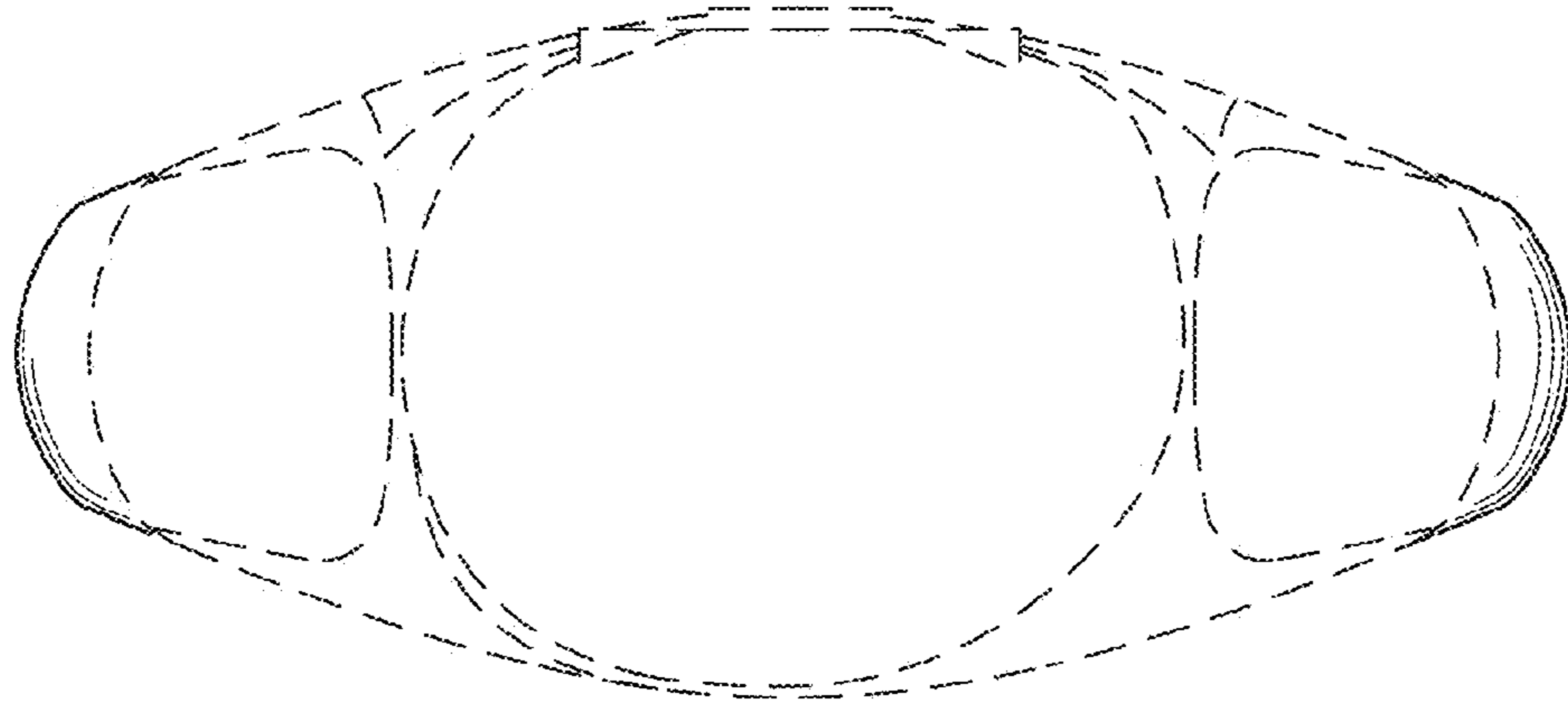


FIG. 6

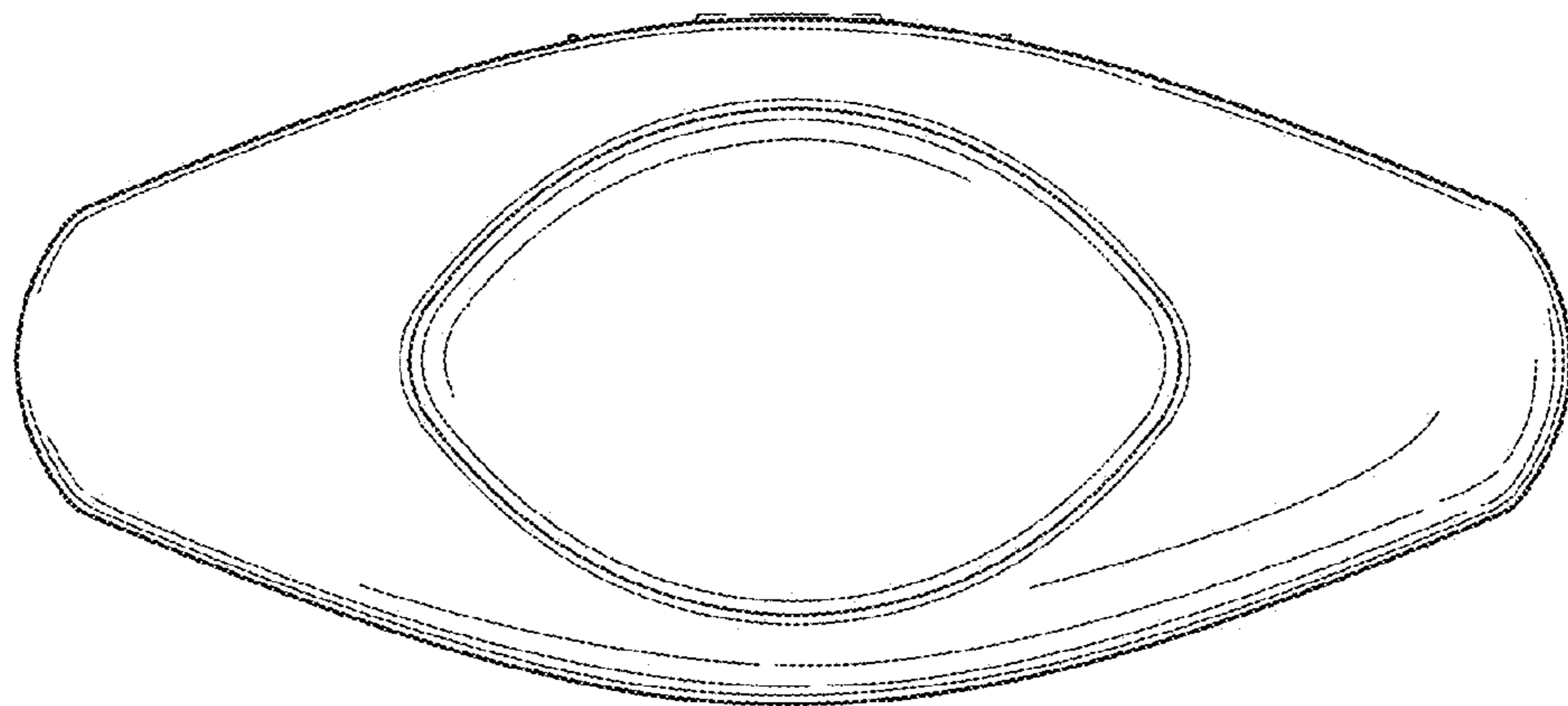


FIG. 7