



US00D755051S

(12) **United States Design Patent**
Otani et al.

(10) **Patent No.:** **US D755,051 S**
(45) **Date of Patent:** **** May 3, 2016**

- (54) **COSMETIC JAR WITH COVER**
- (71) Applicant: **ELC Management LLC**, Melville, NY (US)
- (72) Inventors: **Laura Machiko Otani**, New York, NY (US); **Jesse A. Chertoff**, Tenafly, NJ (US)
- (73) Assignee: **ELC MANAGEMENT LLC**, Melville, NY (US)
- (**) Term: **14 Years**
- (21) Appl. No.: **29/502,081**
- (22) Filed: **Sep. 11, 2014**
- (51) **LOC (10) Cl.** **09-01**
- (52) **U.S. Cl.**
USPC **D9/504**
- (58) **Field of Classification Search**
USPC D9/434-435, 444-445, 454, 500, D9/502-505, 516, 529, 549, 555, 558, 568, D9/575; D26/9-11, 22; D28/73, 76-77, D28/91; D3/901
CPC B65D 1/10; B65D 23/00; B65D 2501/00
See application file for complete search history.

- (56) **References Cited**
U.S. PATENT DOCUMENTS
D86,408 S 3/1932 Piazzoli
D272,804 S 2/1984 Braun
D282,630 S 2/1986 Braun
D356,502 S 3/1995 Poandl
D445,690 S 7/2001 Ekkert
D446,455 S 8/2001 McGowan
D477,227 S * 7/2003 Goswell D9/529
D493,721 S * 8/2004 Puigbo D28/76
D530,208 S 10/2006 Danne et al.
D533,454 S * 12/2006 Canamasas Puigbo D9/451
D543,458 S * 5/2007 Dittmer D9/504

- D555,835 S * 11/2007 Song D28/76
- D565,410 S * 4/2008 Canamasas Puigbo D9/451
- D573,026 S * 7/2008 Tsai D9/435
- D581,792 S * 12/2008 Krohn D9/504
- D581,809 S * 12/2008 Wichowski D9/504
- D582,283 S * 12/2008 O'Donahue D9/435
- D595,578 S 7/2009 Del Tedesco Zamberlan et al.
- D601,022 S * 9/2009 Zamberlan D9/443
- D610,460 S * 2/2010 Nagata D9/504
- D613,603 S * 4/2010 Rowland D9/504

(Continued)

FOREIGN PATENT DOCUMENTS

CN	301957779	6/2012
CN	302669949	12/2013

(Continued)

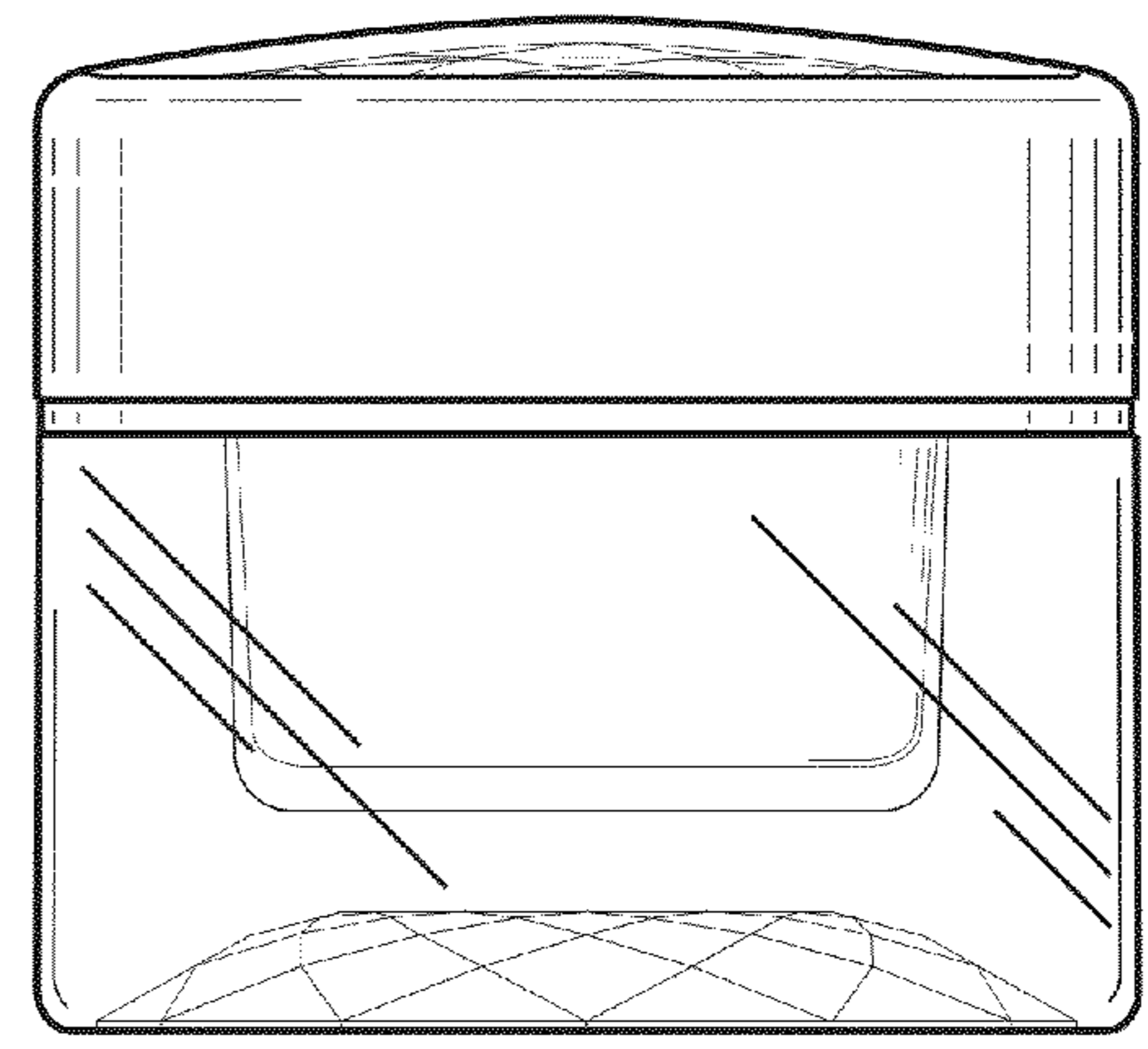
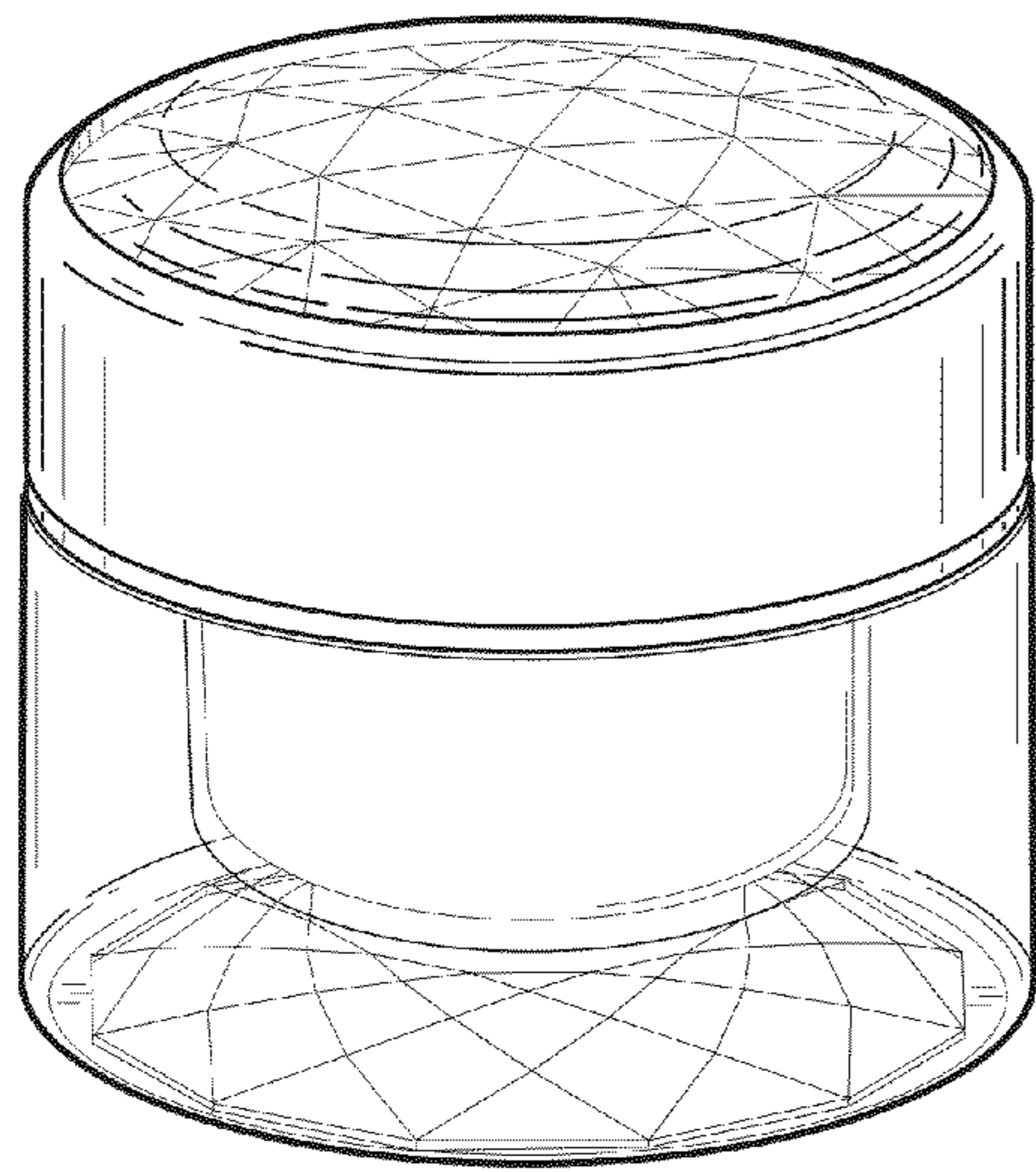
Primary Examiner — Phillip S Hyder
Assistant Examiner — Keith Frank
 (74) *Attorney, Agent, or Firm* — Cynthia R. Miller

(57) **CLAIM**
 The ornamental design for a cosmetic jar with cover, substantially as shown and described.

DESCRIPTION

FIG. 1 is a top perspective view for a cosmetic jar with cover showing our new design;
 FIG. 2 is a side elevation view, with the opposing side being a mirror image thereof;
 FIG. 3 is a top plan view thereof;
 FIG. 4 is a bottom plan view thereof;
 FIG. 5 is a top perspective view of the cover portion of FIG. 1;
 FIG. 6 is a side elevation view thereof;
 FIG. 7 is a top plan view thereof; and,
 FIG. 8 is a bottom plan view thereof.
 The broken line disclosure and the area within the broken lines, shown in FIG. 8, form no part of the claimed design.

1 Claim, 3 Drawing Sheets



(56)

References Cited

U.S. PATENT DOCUMENTS

D630,514 S * 1/2011 Niikura D9/504
D634,202 S 3/2011 Zamberlan et al.
D640,925 S * 7/2011 Rodriguez D28/76
D656,829 S * 4/2012 Watabe D9/444
D659,004 S * 5/2012 McCoy D28/82
D662,822 S * 7/2012 Morais D9/504
D674,698 S 1/2013 Mongeon et al.
D676,324 S * 2/2013 DeMarco D9/503
D691,888 S * 10/2013 Mettler D9/454
D696,948 S * 1/2014 Kim D9/454
D702,555 S 4/2014 Park

D703,055 S * 4/2014 Park D9/454
D728,372 S * 5/2015 Behar D9/454
D729,068 S * 5/2015 Oberlender D9/452
D731,891 S * 6/2015 Servaire D9/504
D744,350 S * 12/2015 Nagata D9/453

FOREIGN PATENT DOCUMENTS

CN 302758371 3/2014
JP D147547 7/2013
TW D104065 4/2005
TW D147683 6/2012

* cited by examiner

FIG. 1

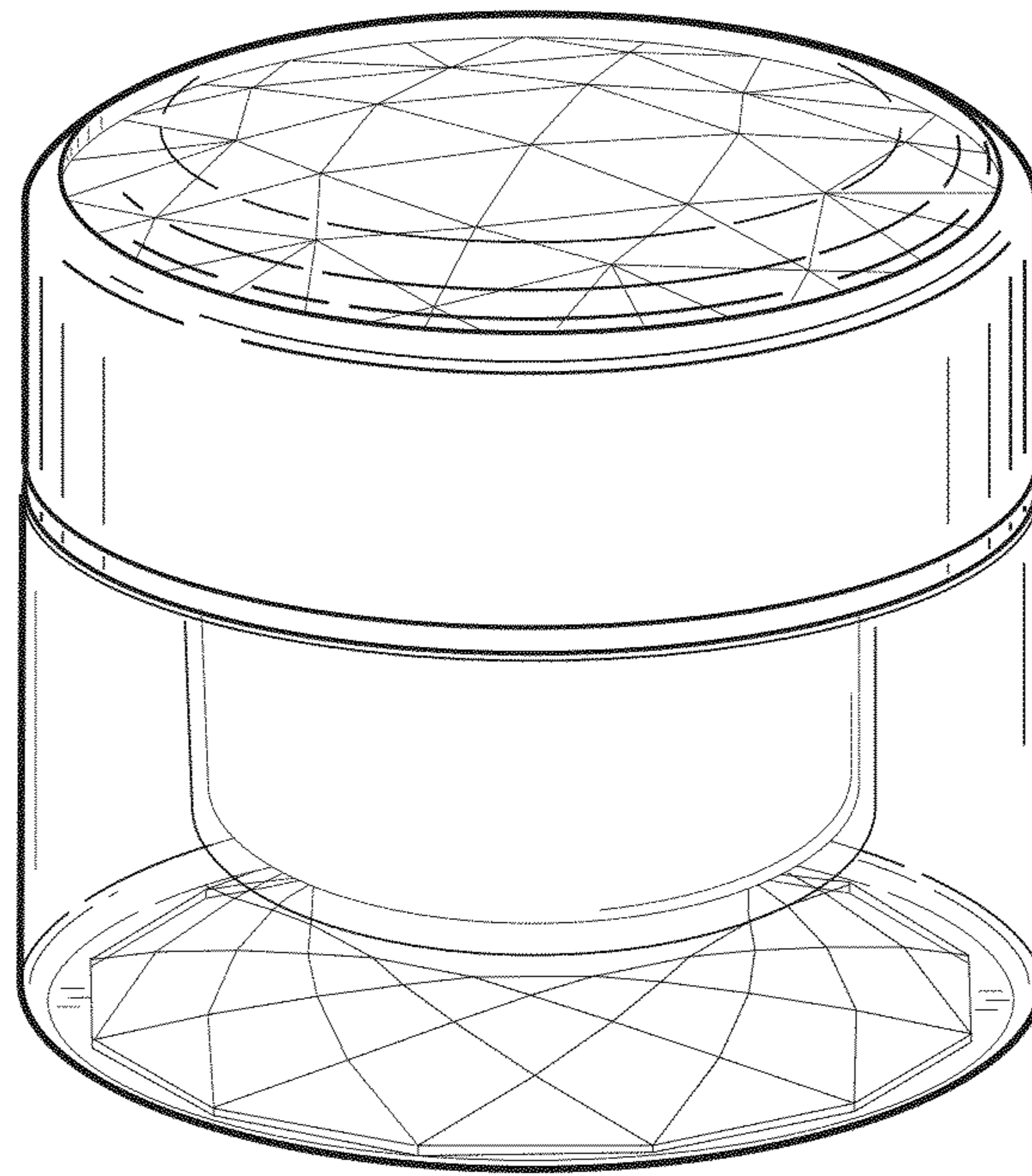


FIG. 2

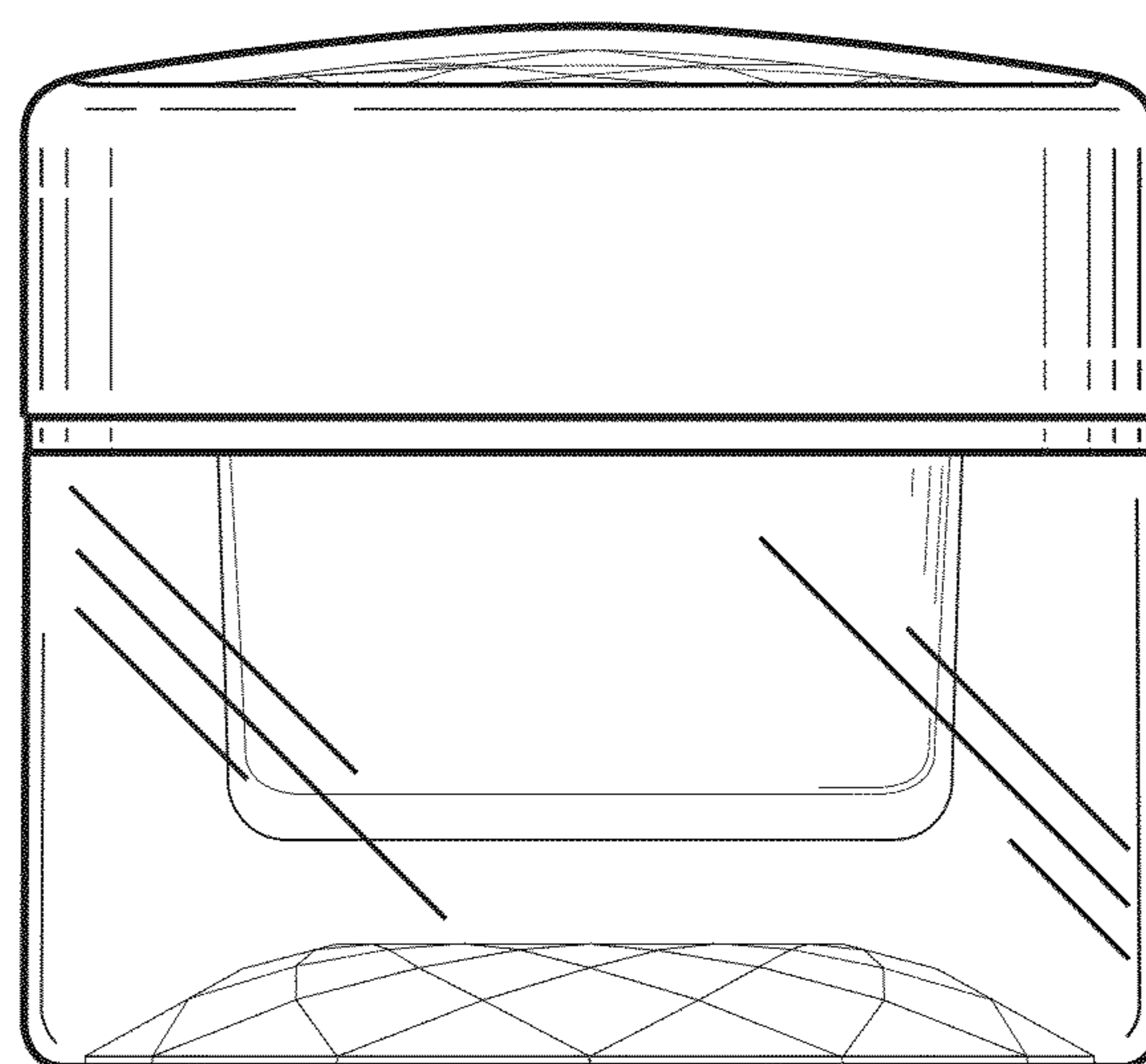


FIG. 3

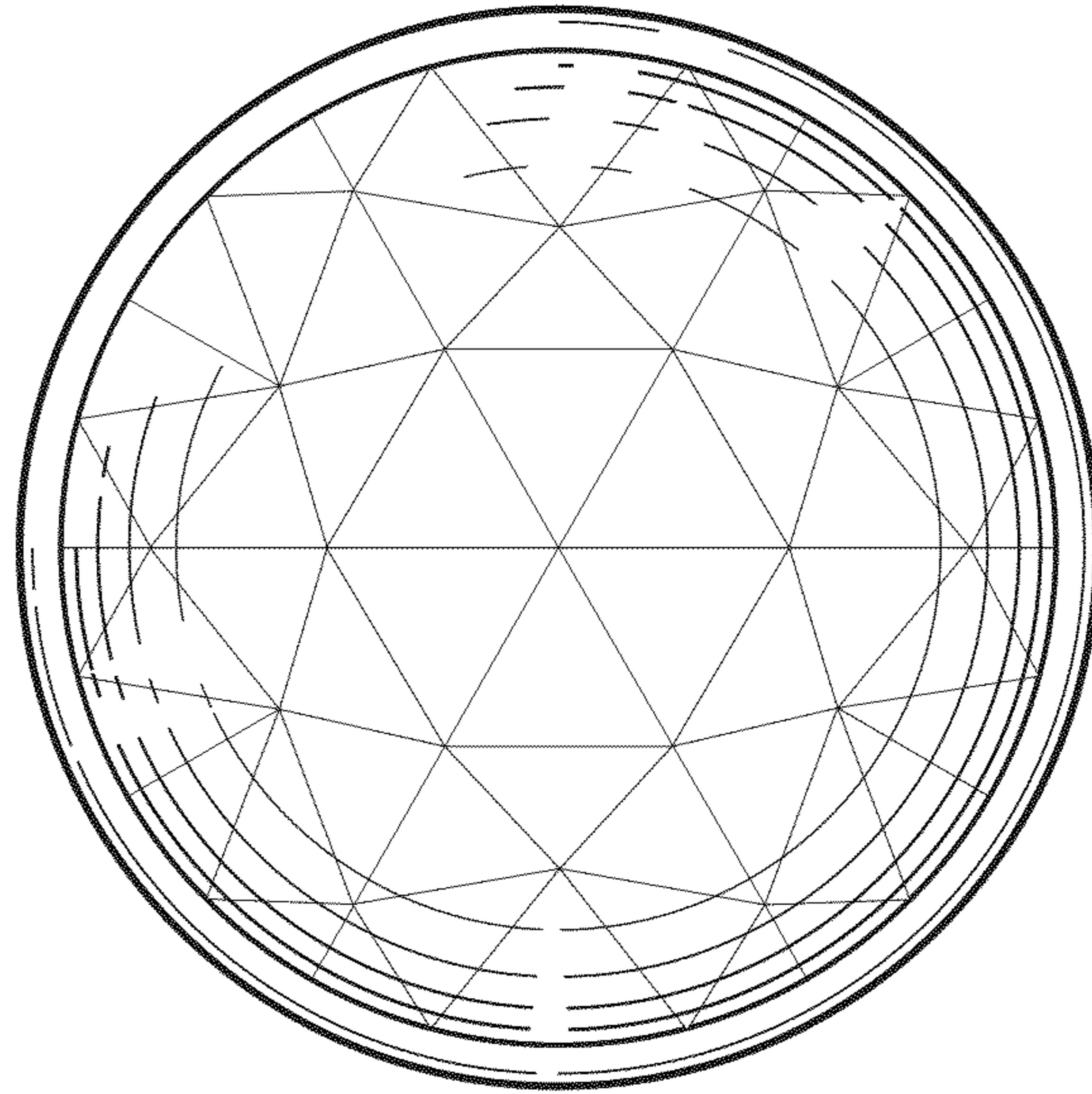


FIG. 4

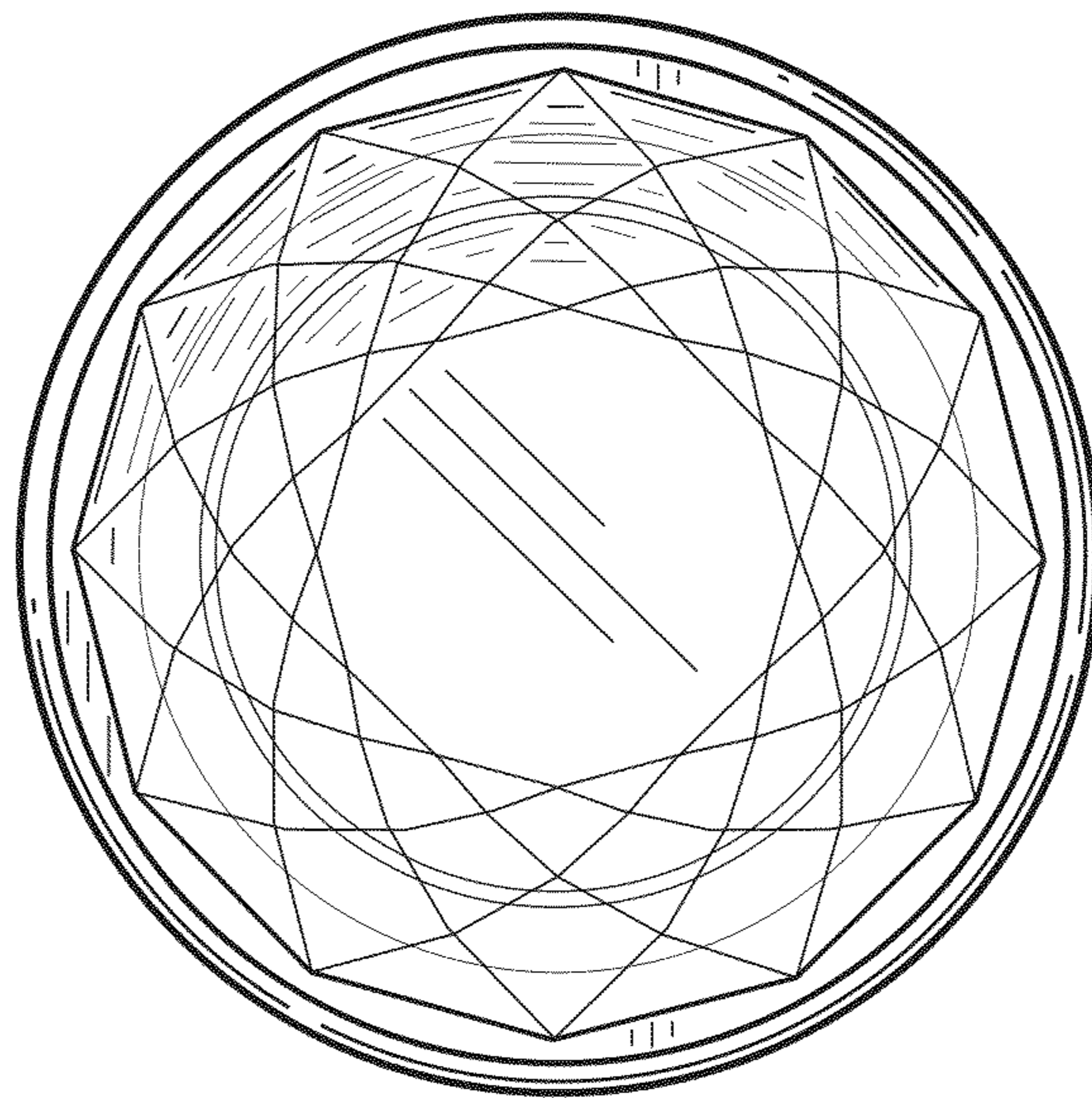


FIG. 5

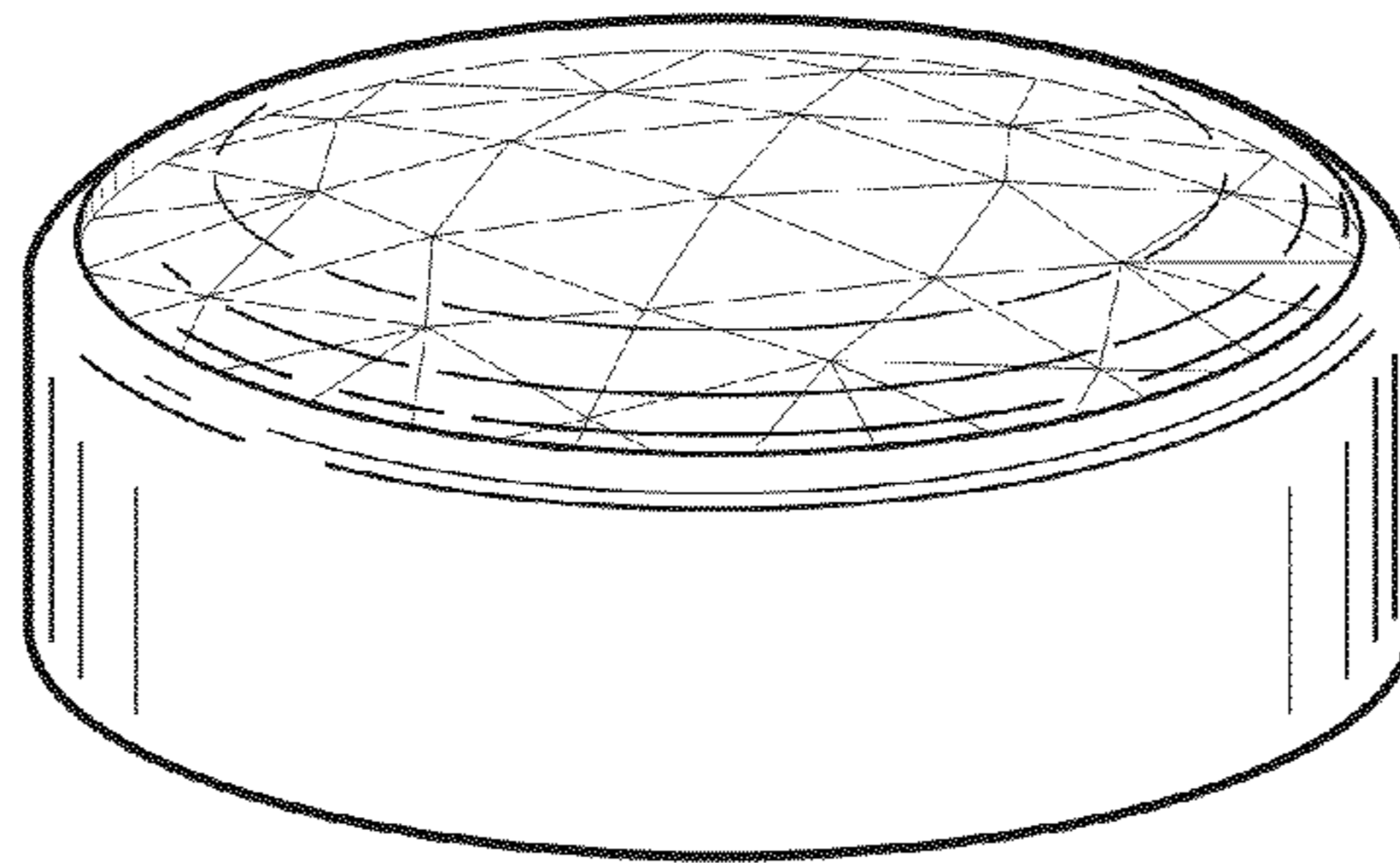


FIG. 6

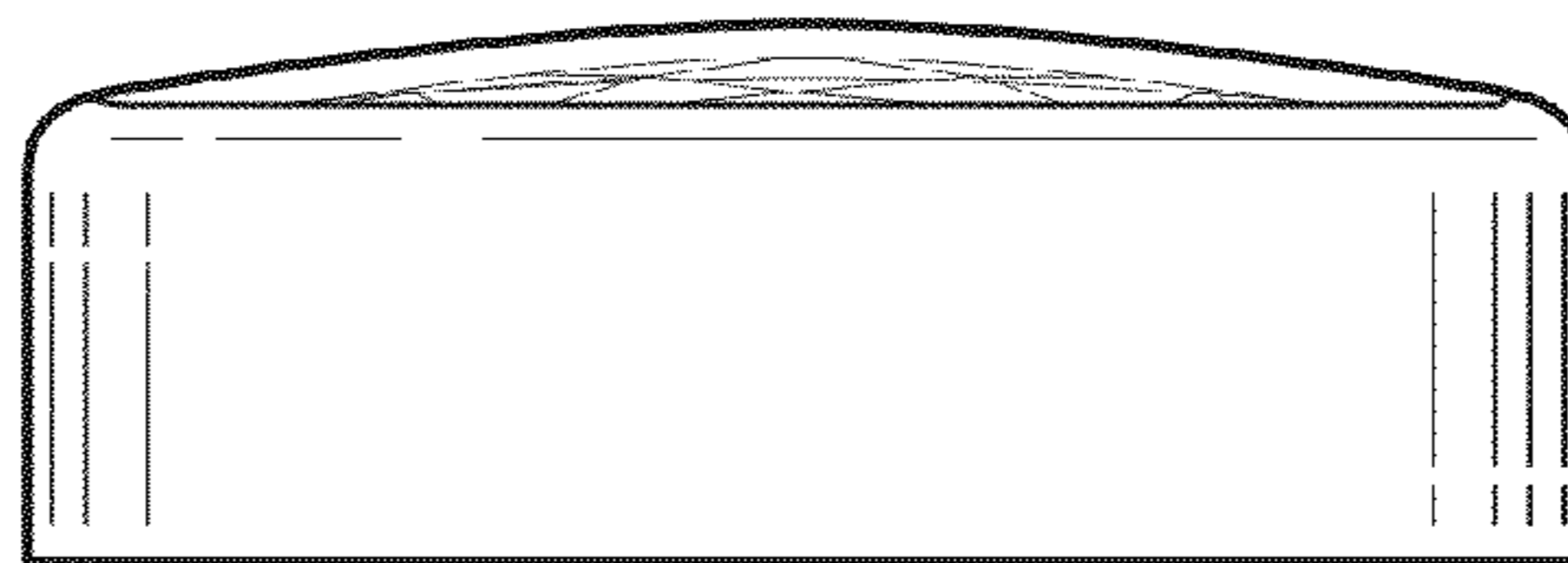


FIG. 7

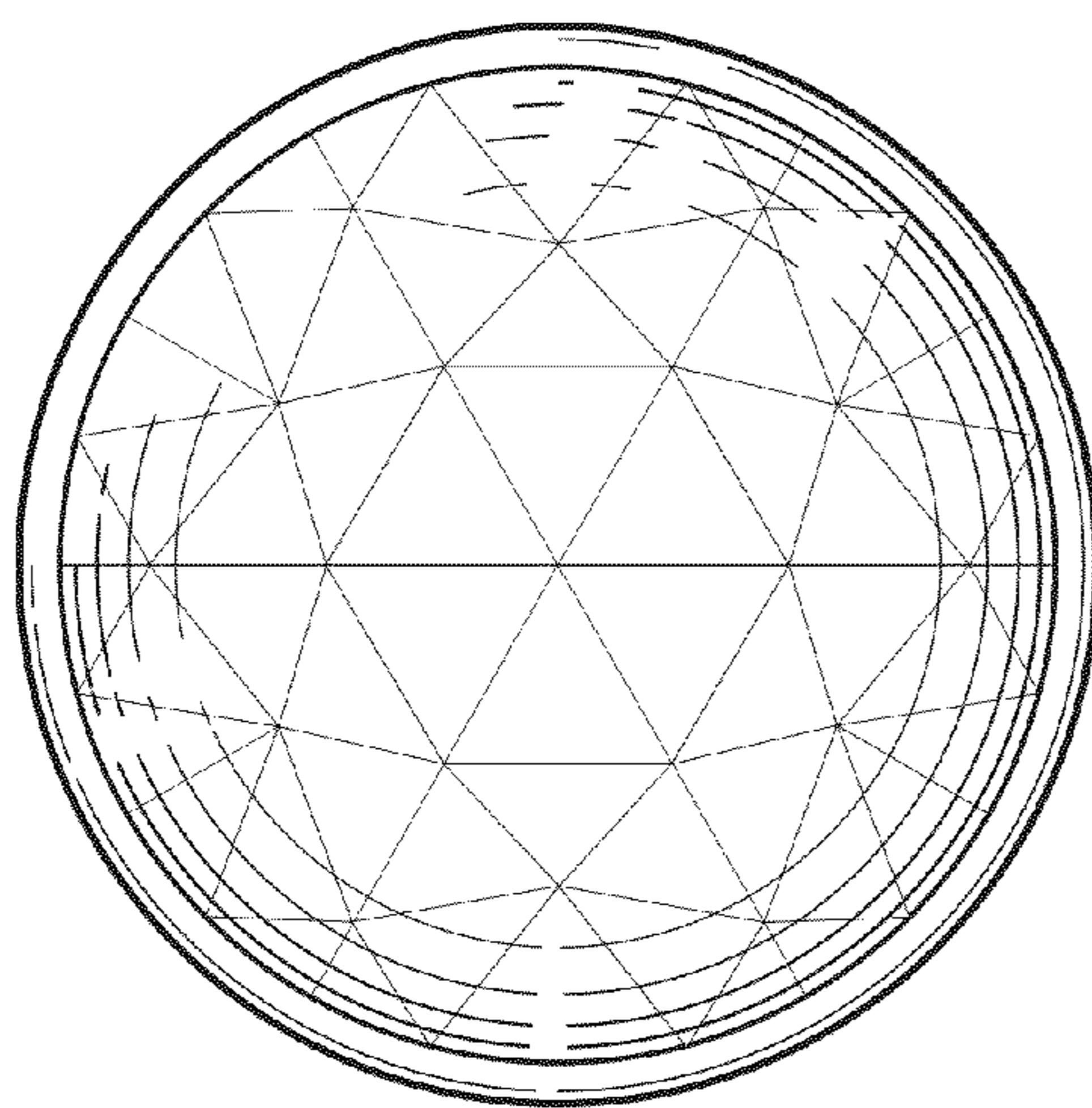


FIG. 8

