



US00D755050S

(12) **United States Design Patent**  
**Sato**

(10) **Patent No.:** **US D755,050 S**  
(45) **Date of Patent:** **\*\* May 3, 2016**

(54) **FLASK FOR A PERFUMERY PRODUCT**

(71) Applicant: **KENZO**, Paris (FR)

(72) Inventor: **Oki Sato**, Tokyo (JP)

(73) Assignee: **KENZO**, Paris (FR)

(\*\*) Term: **14 Years**

(21) Appl. No.: **29/502,244**

(22) Filed: **Sep. 12, 2014**

(30) **Foreign Application Priority Data**

Mar. 31, 2014 (EM) ..... 002436543-0001

(51) **LOC (10) Cl.** ..... **09-01**

(52) **U.S. Cl.**  
USPC ..... **D9/502**; D9/529; D9/558

(58) **Field of Classification Search**  
USPC ..... D9/500, 502-505, 516, 530, 537-539,  
D9/549, 558, 575, 682, 686, 688-691, 715,  
D9/719; D28/91.1, 76; D4/116; D7/679  
CPC ..... B65D 1/04; B65D 83/384; B65D 41/16;  
B65D 77/06  
See application file for complete search history.

(56) **References Cited**

**U.S. PATENT DOCUMENTS**

D93,172 S *	8/1934	Koff	.....	D7/372
D129,968 S *	10/1941	Robinson	.....	D21/388
D185,602 S *	6/1959	Gonfreville	.....	D9/500
D202,003 S *	8/1965	Douglas	.....	D9/669
D212,351 S *	10/1968	Strobe	.....	D9/689
4,509,698 A *	4/1985	David	.....	A47J 42/04 241/169.1
D303,926 S *	10/1989	Venne	.....	D19/71
D317,256 S *	6/1991	Samuels	.....	D9/503
D379,151 S *	5/1997	Stevens	.....	D9/503
D424,942 S *	5/2000	Ohchi	.....	D9/503

D466,401 S *	12/2002	Cohen	.....	D9/504
D471,068 S *	3/2003	Smiszek	.....	D7/679
D519,840 S *	5/2006	Abadinsky	.....	D9/502
D532,315 S *	11/2006	Moutinho	.....	D9/725
D542,659 S *	5/2007	Meether	.....	D23/211.1
D564,357 S *	3/2008	Kapoor	.....	D9/503
D575,640 S *	8/2008	Alaama	.....	D9/500
D586,650 S *	2/2009	Zhang	.....	D8/402
D589,362 S *	3/2009	Takounseun	.....	D9/691
D611,986 S *	3/2010	Ott	.....	D19/162
D655,004 S *	2/2012	Ruiz, Sr.	.....	D24/133
D721,966 S *	2/2015	Mathiez	.....	D9/504
2005/0035233 A1 *	2/2005	Fredericks	.....	A47J 42/06 241/169.1
2005/0211806 A1 *	9/2005	Ng	.....	A47J 42/06 241/169.1
2006/0060686 A1 *	3/2006	Cheng	.....	A47J 42/42 241/169.1
2015/0257598 A1 *	9/2015	Krus	.....	A47J 42/04 241/30

\* cited by examiner

*Primary Examiner* — Philip S Hyder

*Assistant Examiner* — Keith Frank

(74) *Attorney, Agent, or Firm* — Stephen J. Weyer, Esq.;  
Stites & Harbison, PLLC.

(57) **CLAIM**

The ornamental design for a flask for a perfumery product, as shown and described.

**DESCRIPTION**

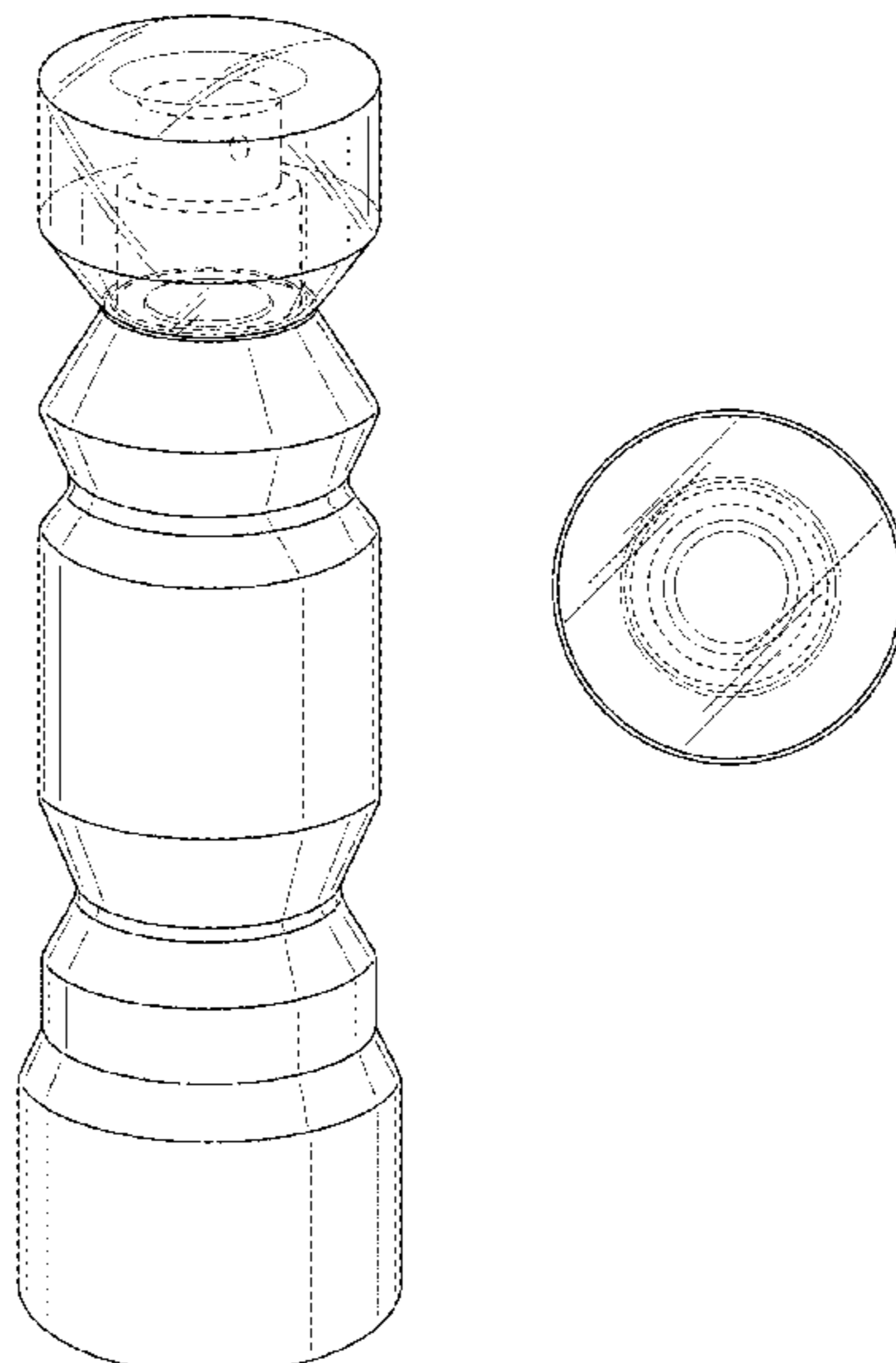
FIG. 1 is a front, top and right side perspective view of a flask for a perfumery product showing the new design.

FIG. 2 is a top view thereof; and,

FIG. 3 is a front view thereof, with the elevation views from the right, left and back sides of the claimed design being identical.

In the drawings, the broken lines in FIGS. 1-3 depict portions of a nozzle that form no part of the claimed design.

**1 Claim, 1 Drawing Sheet**



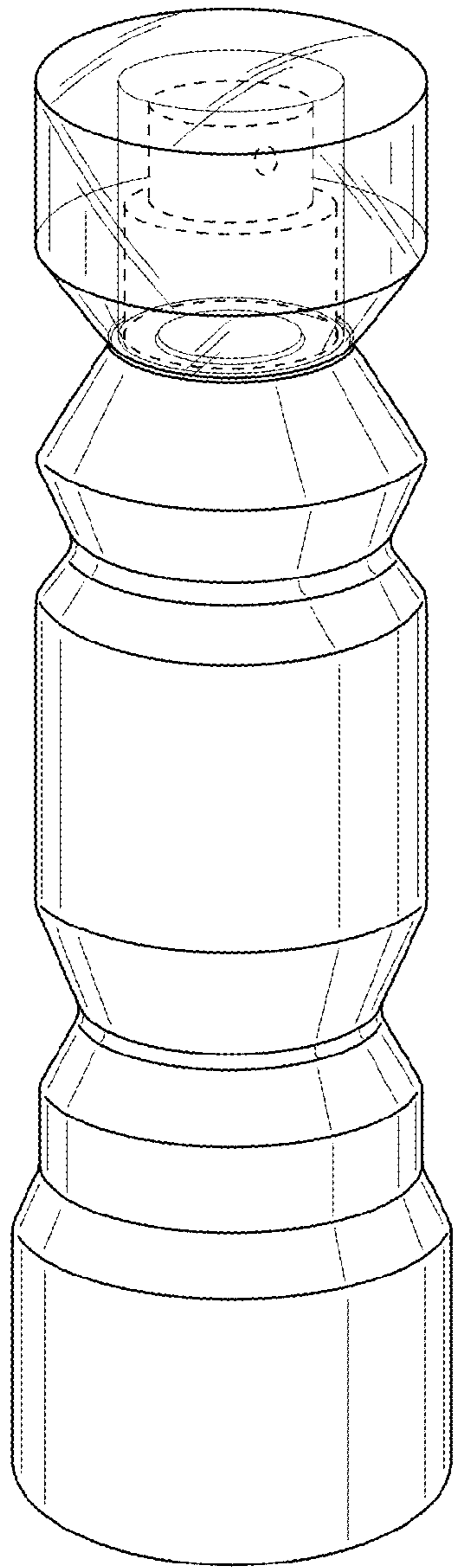


FIG. 1

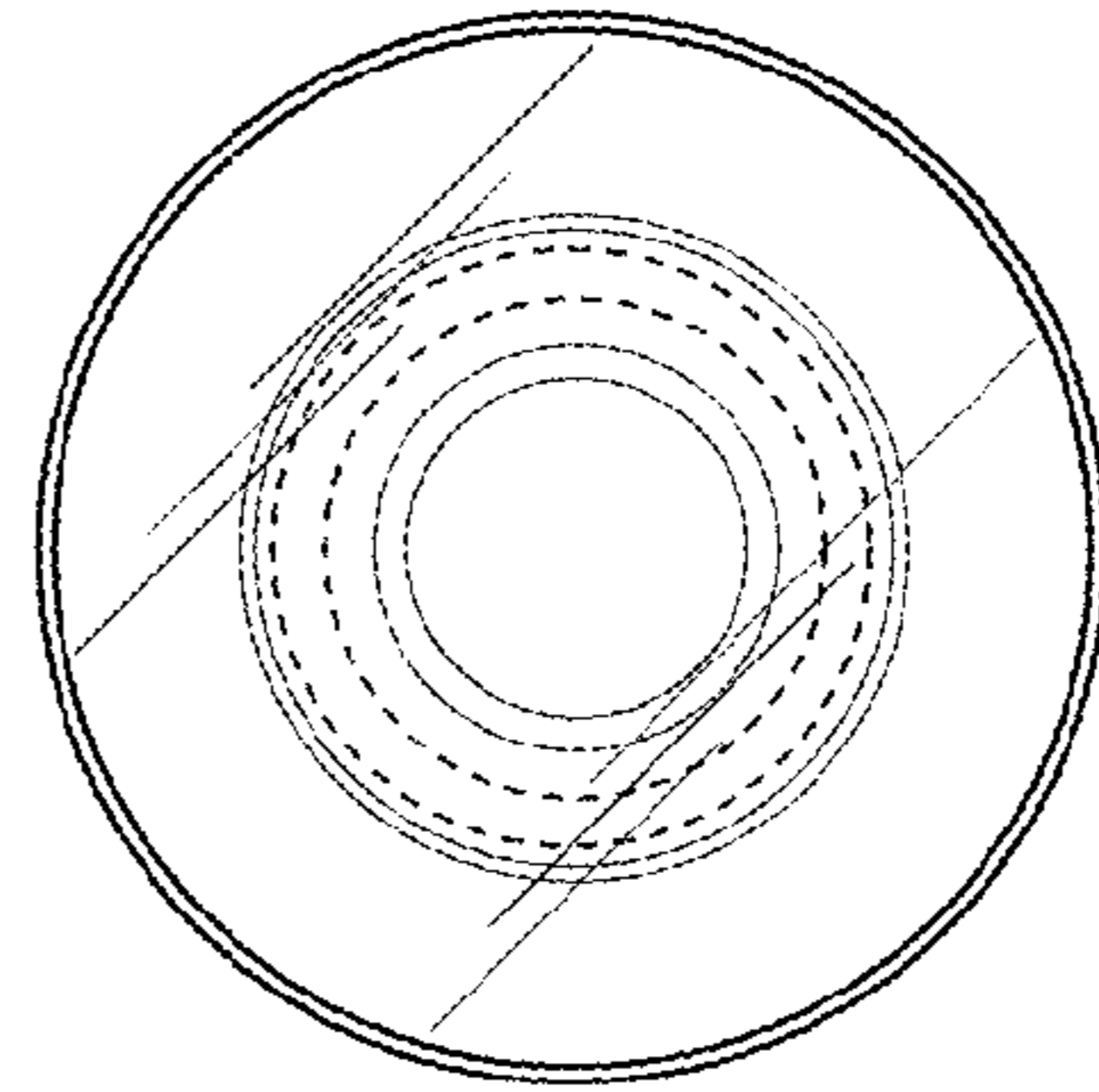


FIG. 2

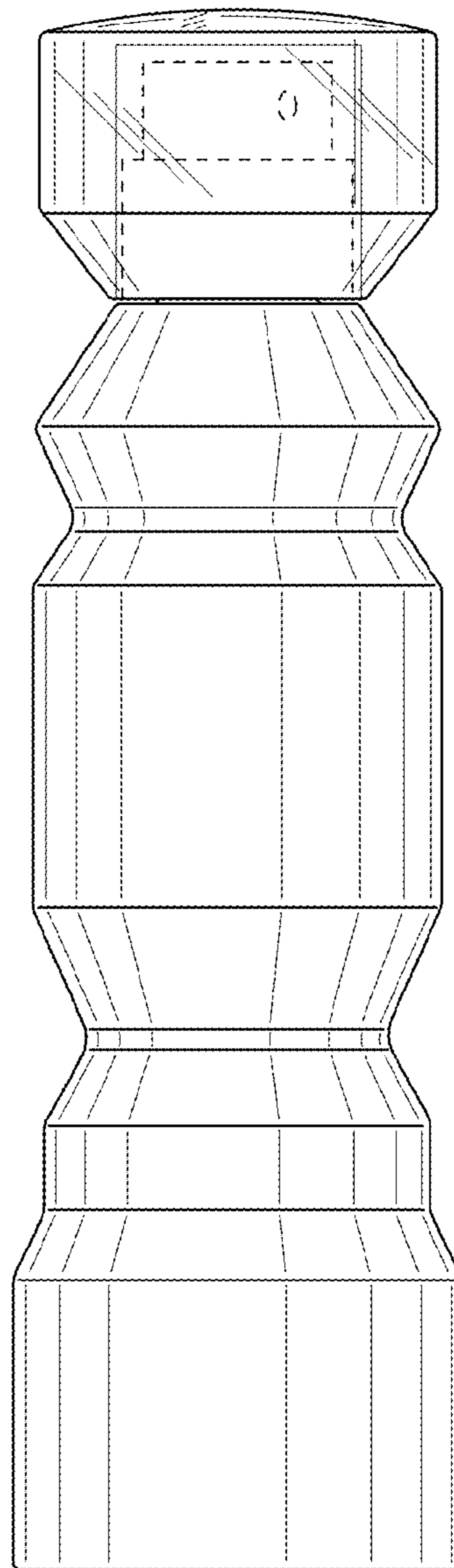


FIG. 3