



US00D755048S

(12) **United States Design Patent**
Baissero et al.

(10) **Patent No.:** **US D755,048 S**
(45) **Date of Patent:** **** May 3, 2016**

(54) **CLOSURE**

- (71) Applicant: **AptarGroup, Inc.**, Crystal Lake, IL (US)
- (72) Inventors: **David Baissero**, Buenos Aires (AR);
Marcelo Santarelli, Buenos Aires (AR);
Hernán Torres, Buenos Aires (AR)
- (73) Assignee: **AptarGroup, Inc.**, Crystal Lake, IL (US)
- (**) Term: **14 Years**
- (21) Appl. No.: **29/499,121**
- (22) Filed: **Aug. 12, 2014**
- (51) **LOC (10) Cl.** **09-07**
- (52) **U.S. Cl.**
USPC **D9/449**
- (58) **Field of Classification Search**
USPC D7/300, 300.1, 300.2, 303, 313, 317,
D7/602, 387, 509, 510, 511, 538; D9/434,
D9/435, 436, 439, 440, 441, 442, 443, 444,
D9/445, 446, 447, 448, 449, 450, 451, 452,
D9/453, 454, 499; D3/203.2, 202
CPC B65D 41/26; B65D 41/32; B65D 59/06;
B65D 47/0814; B65D 47/2031; B65D 51/249;
B65D 2251/1066; B65D 41/02; B65D 23/00;
B65D 39/08; B67D 3/0032; A47G 19/26;
A47G 19/2266; B65F 1/14
See application file for complete search history.

(56) **References Cited**

U.S. PATENT DOCUMENTS

- D314,147 S * 1/1991 Davis D9/446
- 5,279,451 A * 1/1994 Mueller B65D 47/242
222/507
- D426,158 S * 6/2000 Flurer D9/449
- D439,516 S * 3/2001 Bakic D9/440
- D493,720 S * 8/2004 Bakic D9/440
- D496,861 S * 10/2004 Lovell D9/435
- D505,327 S * 5/2005 Bakic D9/449

- D506,390 S * 6/2005 Bakic D9/449
- D526,568 S * 8/2006 Bakic D9/558
- D536,974 S * 2/2007 Smith D9/435
- D576,038 S * 9/2008 Mazurkiewicz D9/449
- D576,490 S * 9/2008 Mazurkiewicz D9/449
- D594,747 S * 6/2009 Moretti D9/435
- D607,726 S * 1/2010 Wisniewski D9/449
- D612,728 S * 3/2010 Borstel D9/449
- D617,190 S * 6/2010 Holmes D9/449
- D661,583 S * 6/2012 Santarelli D9/449
- D695,613 S * 12/2013 Miranda De Araujo D9/449
- D713,723 S * 9/2014 den Boer D9/449
- D743,790 S * 11/2015 Hussain D9/447
- 2011/0174817 A1 * 7/2011 Blomdahl B65D 51/247
220/212
- 2012/0199610 A1 * 8/2012 Cain B65D 47/0838
222/212
- 2014/0110407 A1 * 4/2014 Ferraro B65D 51/221
220/265
- 2015/0048124 A1 * 2/2015 Wisniewski B65D 47/0809
222/478

* cited by examiner

Primary Examiner — Robert M Spear

Assistant Examiner — Marissa J Cash

(74) *Attorney, Agent, or Firm* — Wood Phillips, Katz, Clark & Mortimer

(57) **CLAIM**

The ornamental design for a closure, as shown and described.

DESCRIPTION

FIG. 1 is an isometric view taken from the top, front, and right side view of a closure.

FIG. 2 is another isometric view thereof rotated from the view shown in FIG. 1;

FIG. 3 is a top plan view thereof;

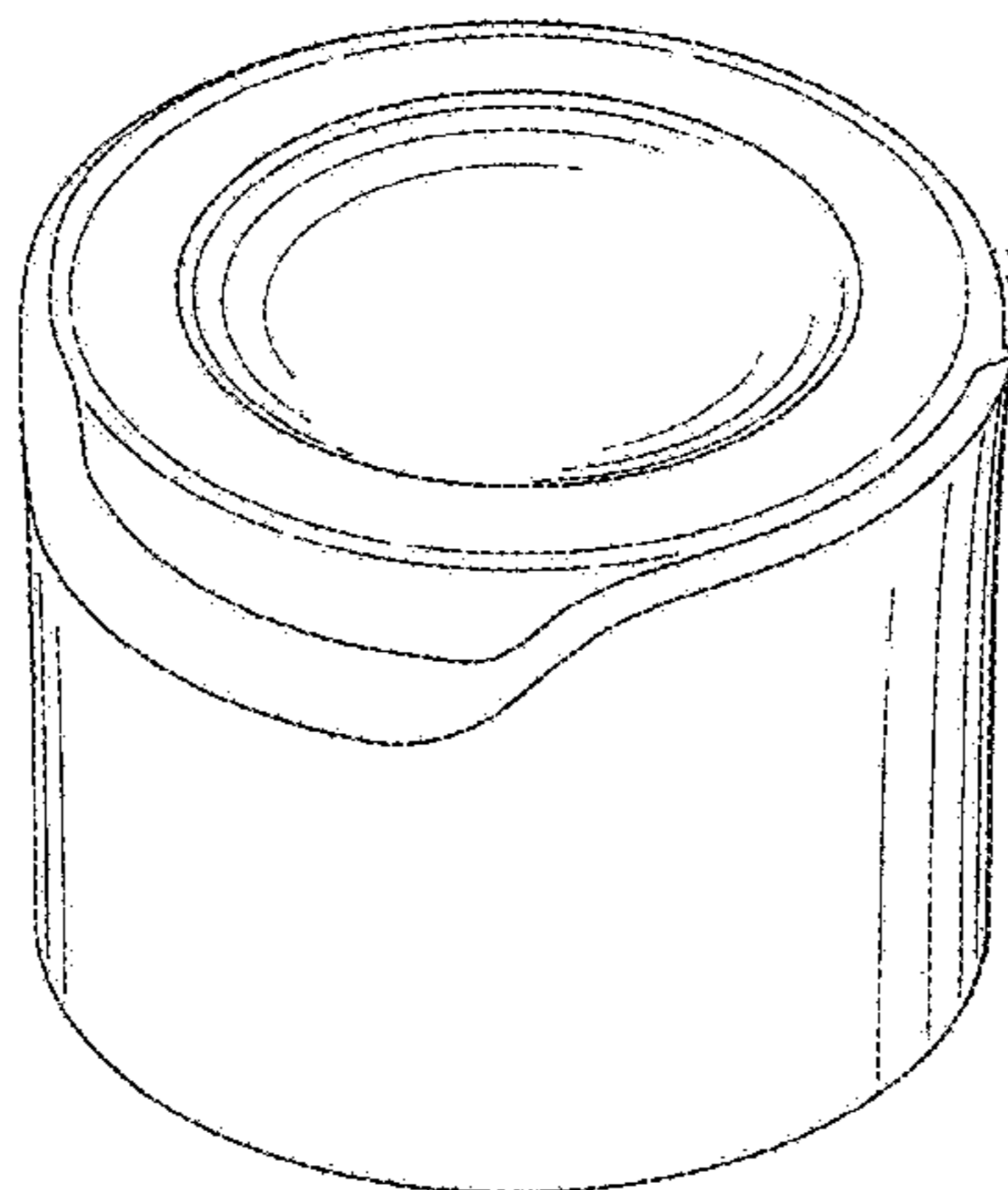
FIG. 4 is a front elevational view thereof;

FIG. 5 is a rear elevational view thereof; and,

FIG. 6 is a left side elevational view thereof, the right side elevational view thereof being a mirror image.

In the drawings, the broken lines depict environmental subject matter only and form no part the claimed design.

1 Claim, 4 Drawing Sheets



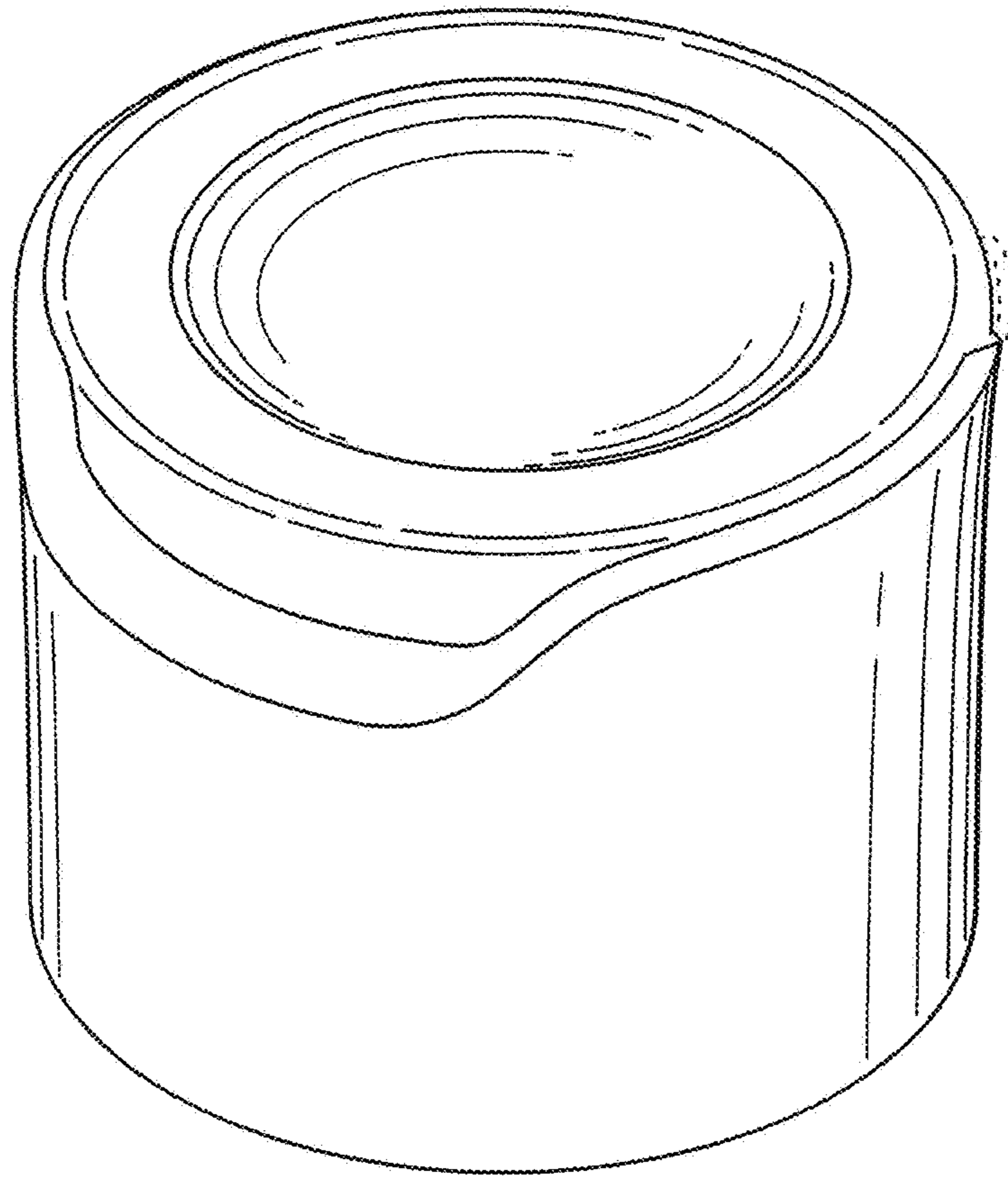


FIG. 1

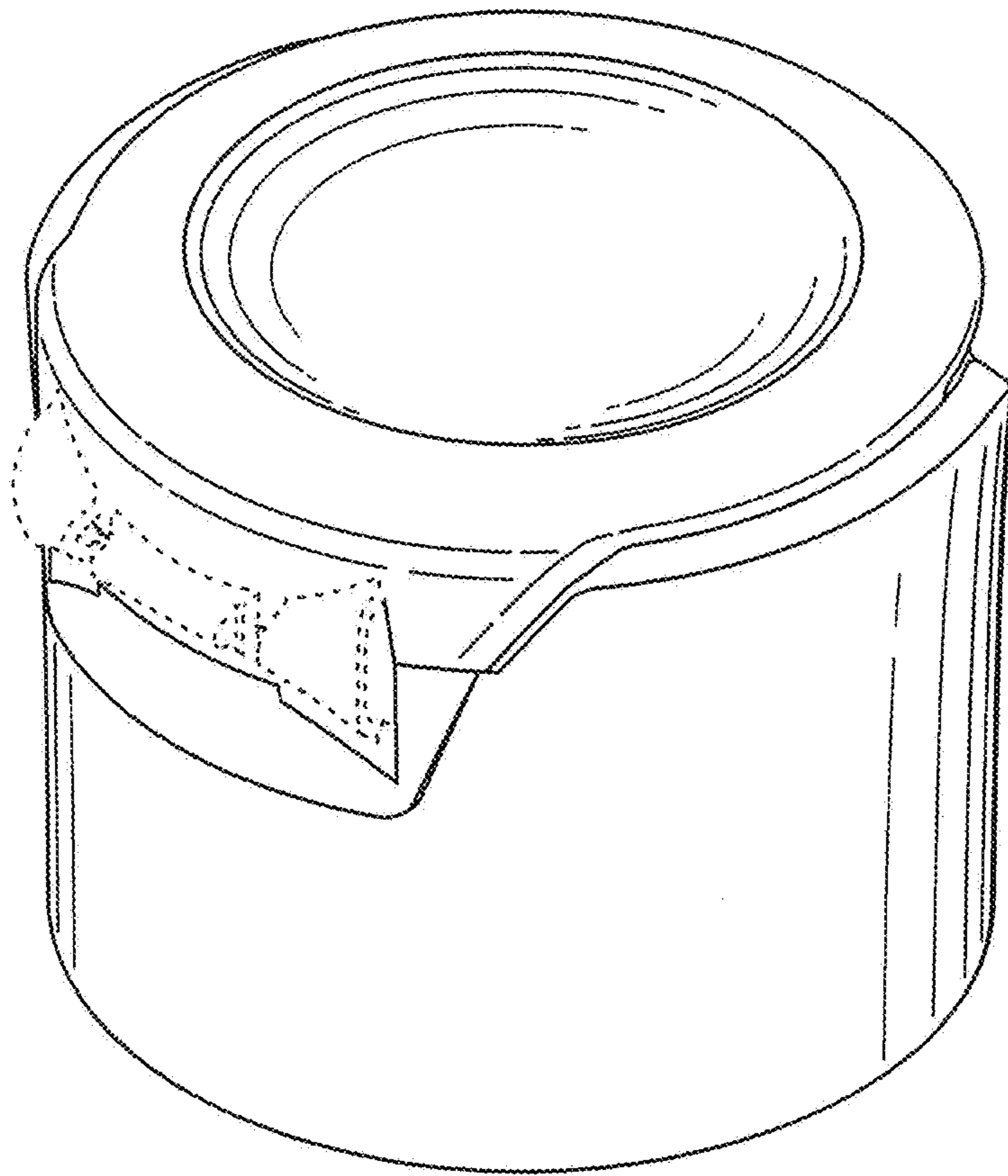


FIG. 2

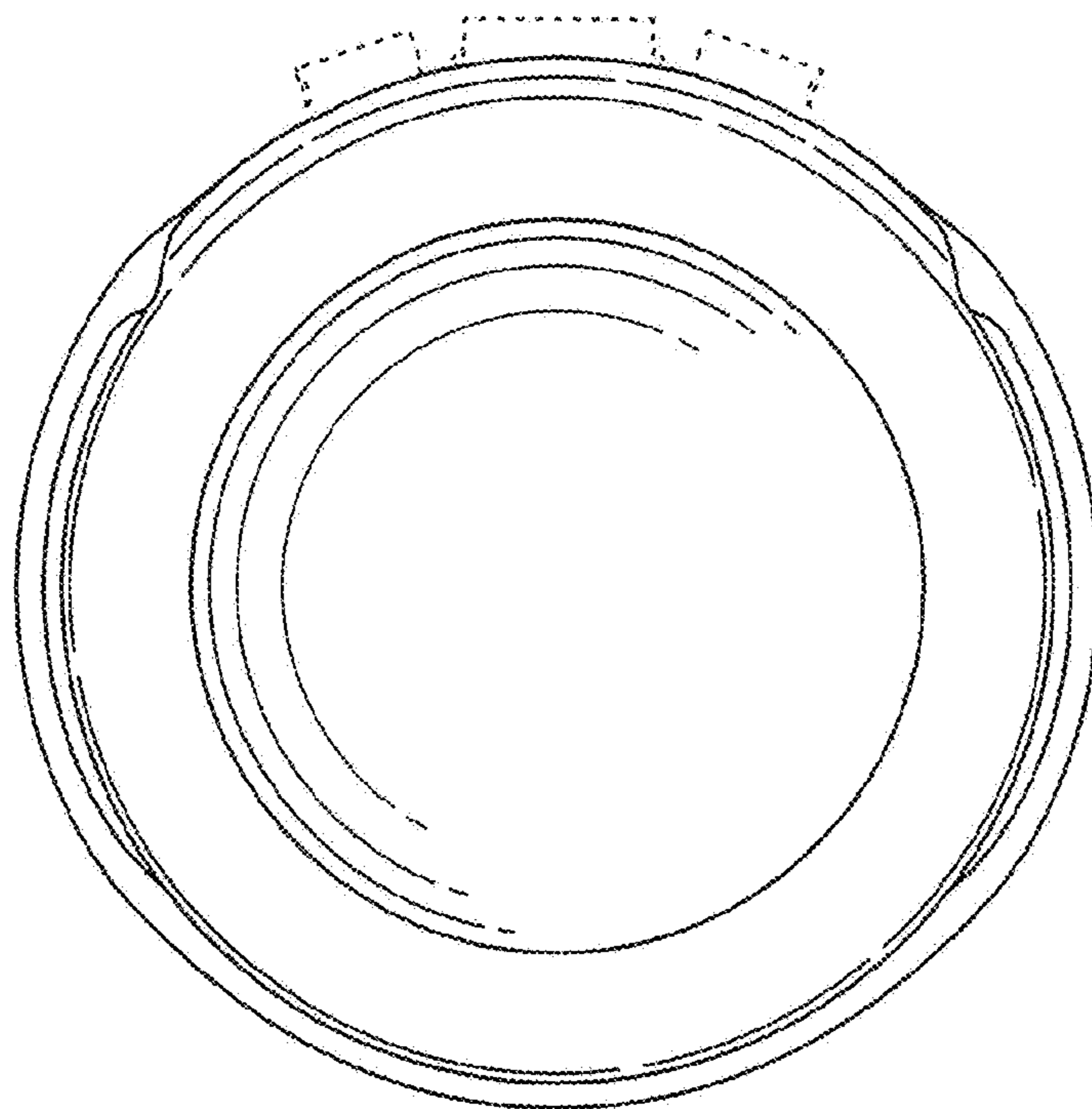


FIG. 3

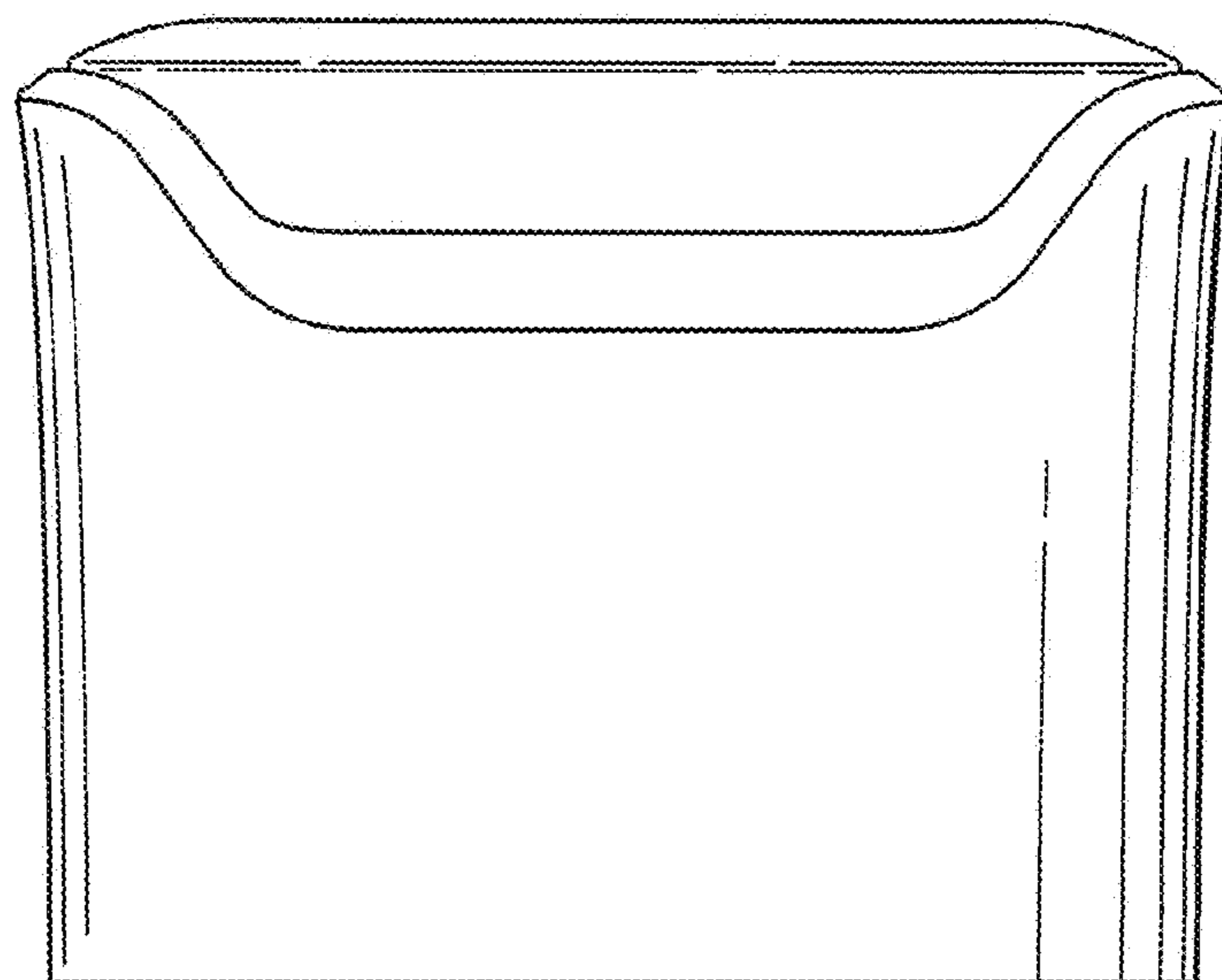


FIG. 4

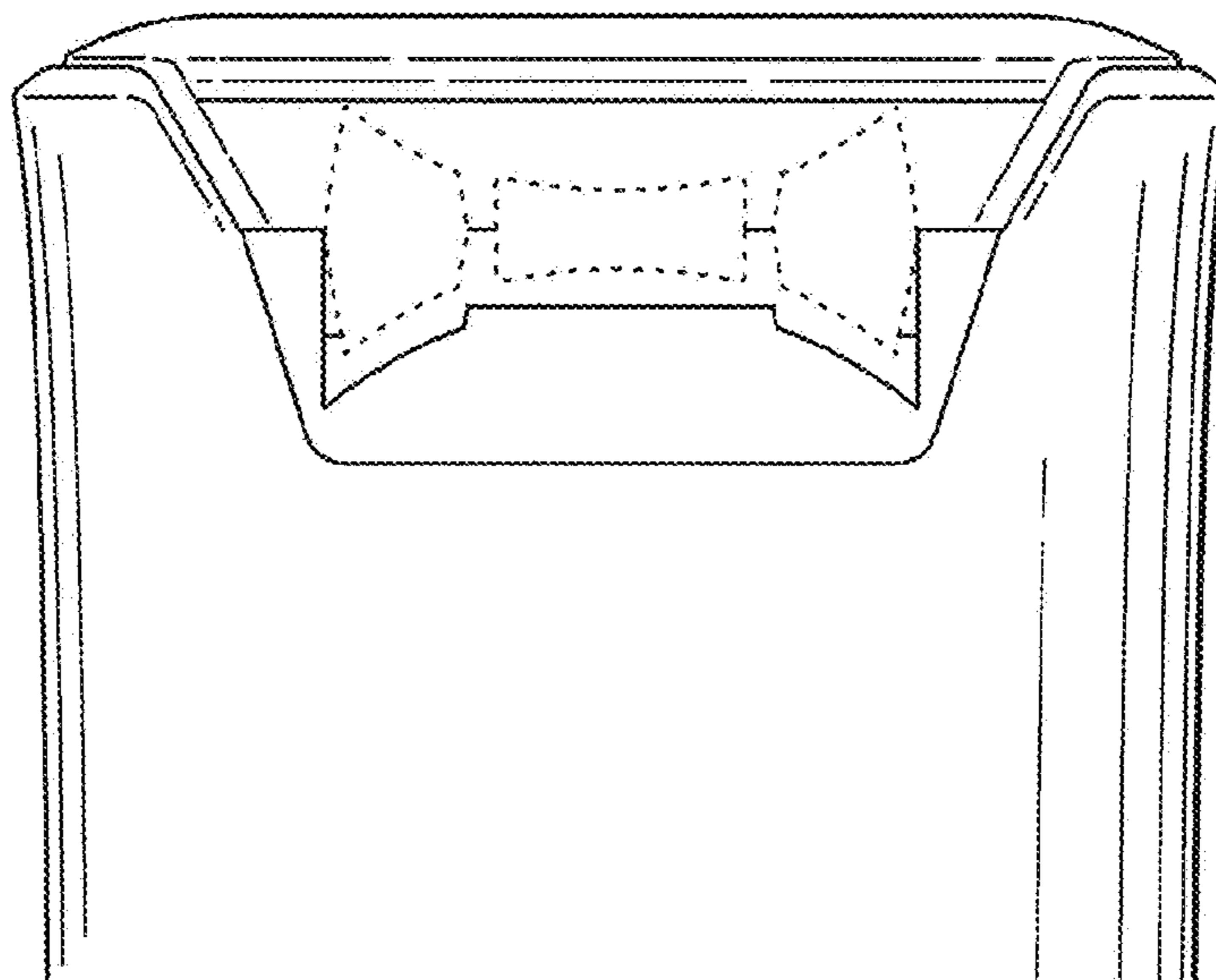


FIG. 5

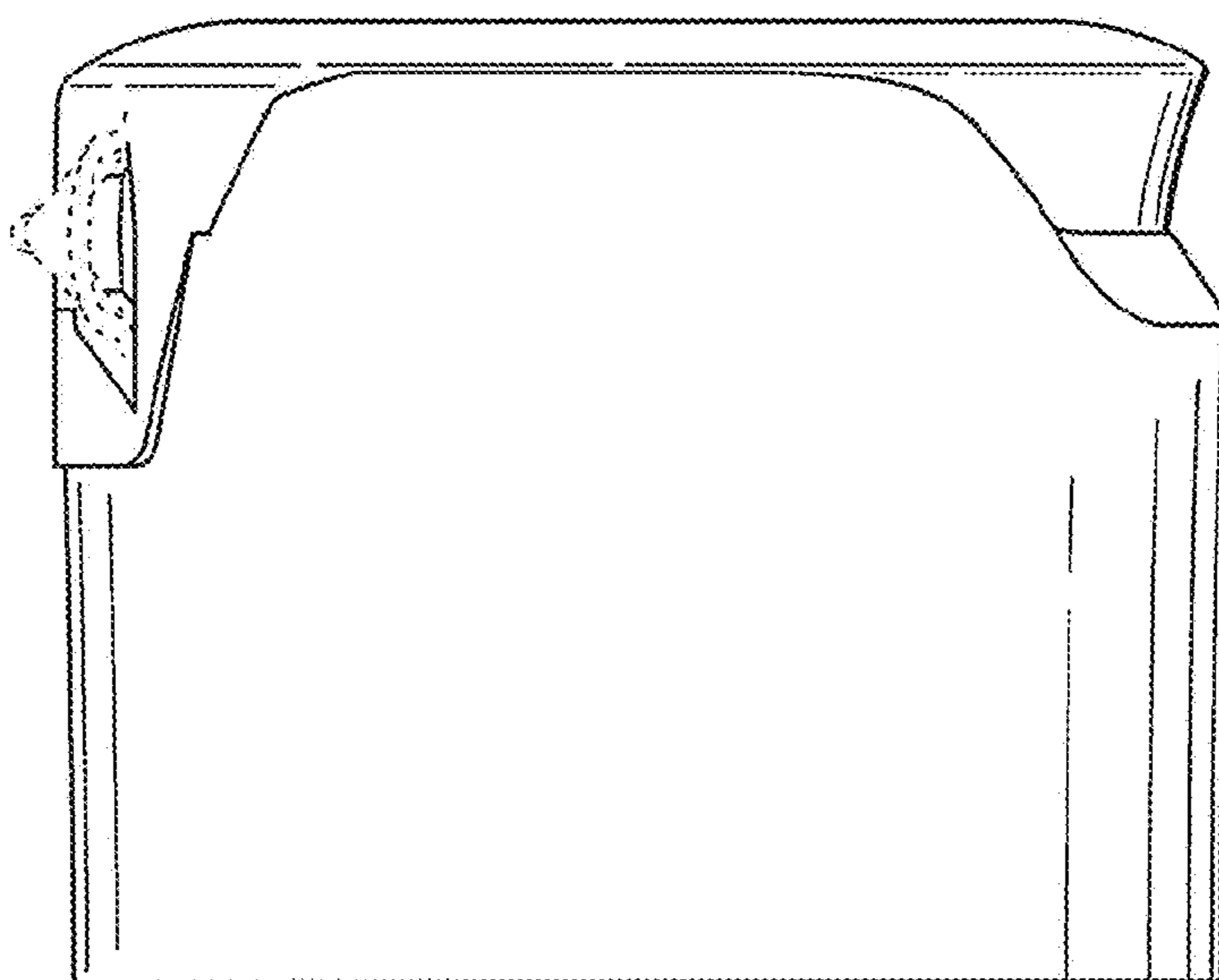


FIG. 6