



US00D755045S

(12) **United States Design Patent**
Kuo

(10) **Patent No.:** **US D755,045 S**

(45) **Date of Patent:** **** May 3, 2016**

(54) **PROTECTIVE CLIP FOR PUMP-DISPENSING HEAD**

(71) Applicant: **Roy Kuo**, Taipei (TW)

(72) Inventor: **Roy Kuo**, Taipei (TW)

(**) Term: **14 Years**

(21) Appl. No.: **29/513,934**

(22) Filed: **Jan. 7, 2015**

(51) **LOC (10) Cl.** **09-01**

(52) **U.S. Cl.**
USPC **D9/445**

(58) **Field of Classification Search**
USPC D7/387, 391, 392, 392.1, 397, 404,
D7/602; D9/434-436, 440, 443-445, 447,
D9/449, 450, 453-455, 499; D23/206;
222/182, 321.9, 562; 294/137
CPC B05B 11/0032; B05B 11/3059
See application file for complete search history.

(56) **References Cited**

U.S. PATENT DOCUMENTS

D436,799 S *	1/2001	Bellacicco	D7/387
6,196,423 B1 *	3/2001	Erleben	B05B 11/0027 222/153.09
6,276,569 B1 *	8/2001	Tsai	B05B 11/3047 222/321.7
D494,065 S *	8/2004	Hook	D9/435
D507,742 S *	7/2005	Haggard	D9/434
7,044,339 B1 *	5/2006	Kuo	B05B 11/3059 222/182
D600,115 S *	9/2009	Trayser	D9/434
D601,017 S *	9/2009	Hungerford	D9/434
D601,018 S *	9/2009	Trayser	D9/434

D610,399 S *	2/2010	Hamlin	D7/387
D624,406 S *	9/2010	Cronican	D9/434
D625,183 S *	10/2010	Bartsch	D9/434
D683,581 S *	6/2013	Archer	D7/392.1
2003/0197025 A1 *	10/2003	Cabarroque	B05B 11/0032 222/162
2012/0031925 A1 *	2/2012	Greenberg	B05B 11/3059 222/135

* cited by examiner

Primary Examiner — Robert M Spear

Assistant Examiner — Darcey E Heflin

(74) *Attorney, Agent, or Firm* — Chun-Ming Shih

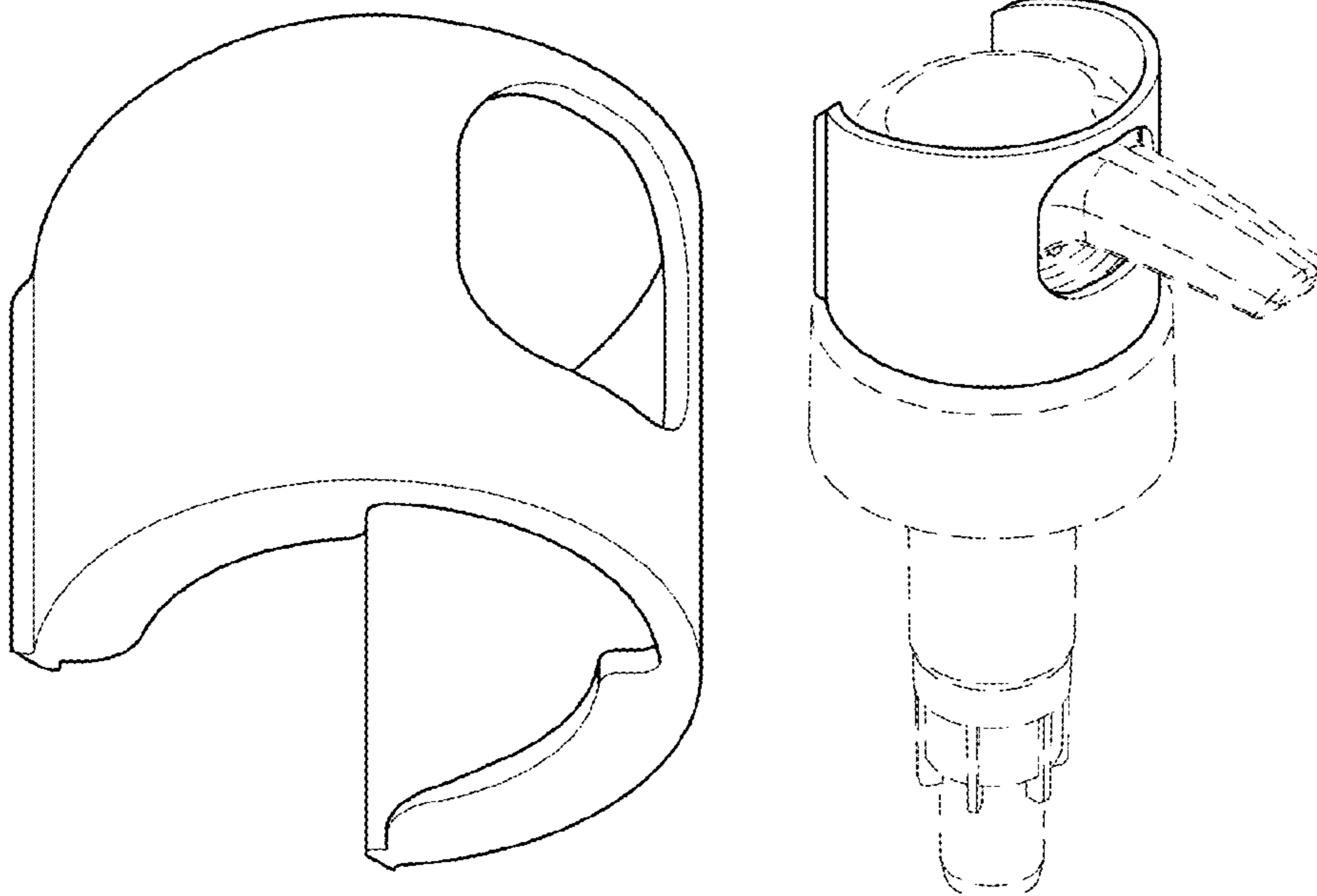
(57) **CLAIM**

The ornamental design for a protective clip for pump-dispensing head, as shown and described.

DESCRIPTION

FIG. 1 is a top perspective view of a protective clip for pump-dispensing head showing the new design; FIG. 2 is a left side elevational view thereof; FIG. 3 is a right side elevational view thereof; FIG. 4 is a rear elevational view thereof; FIG. 5 is a front elevational view thereof; FIG. 6 is a top plan view thereof; FIG. 7 is a bottom plan view thereof. FIG. 8 is bottom perspective showing the protective clip for pump-dispensing head; and, FIG. 9 is a perspective view showing the protective clip combined with the pump-dispensing head. The broken lines in the drawing depict environmental subject matter only and form no part of the claimed design.

1 Claim, 6 Drawing Sheets



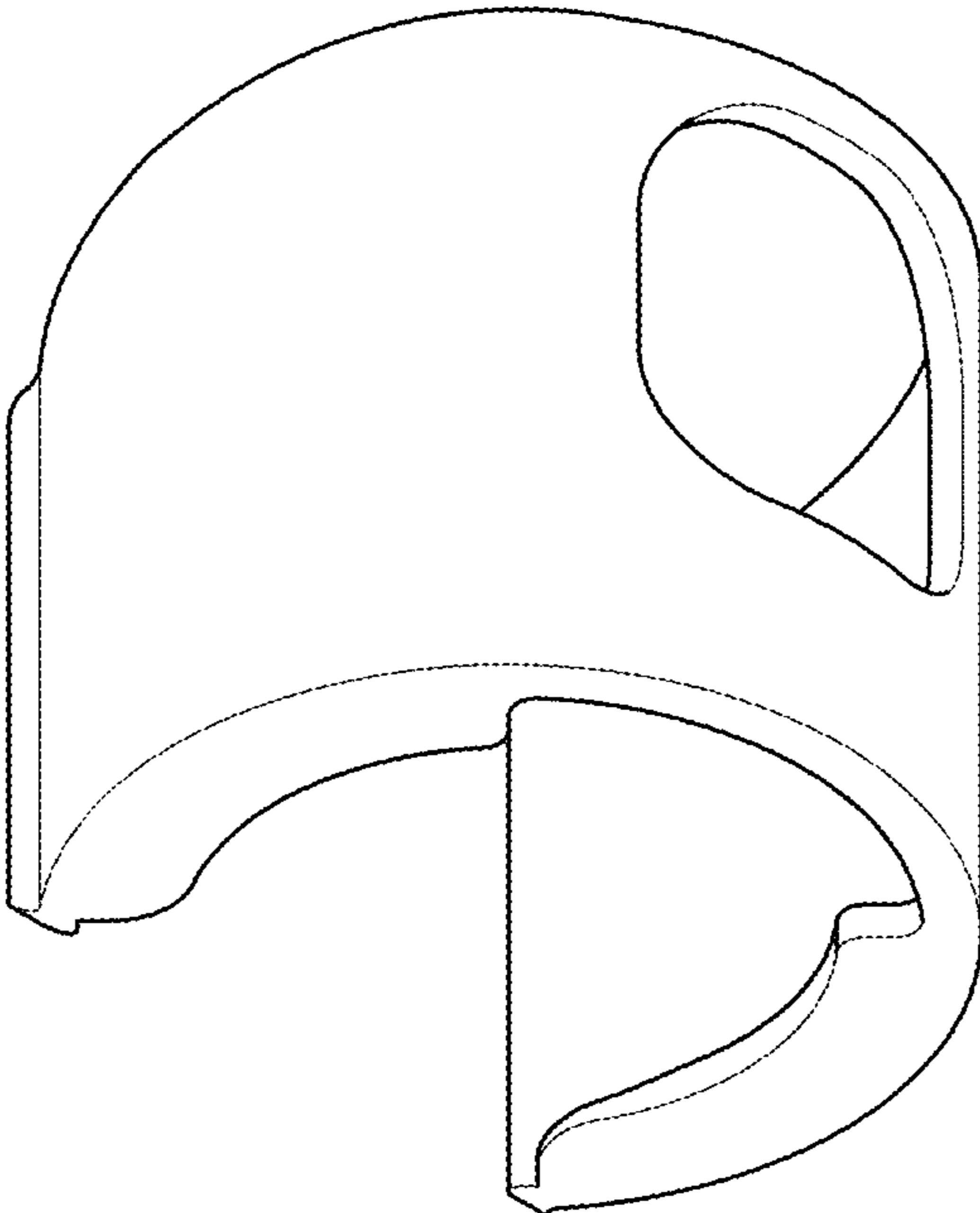


Fig. 1

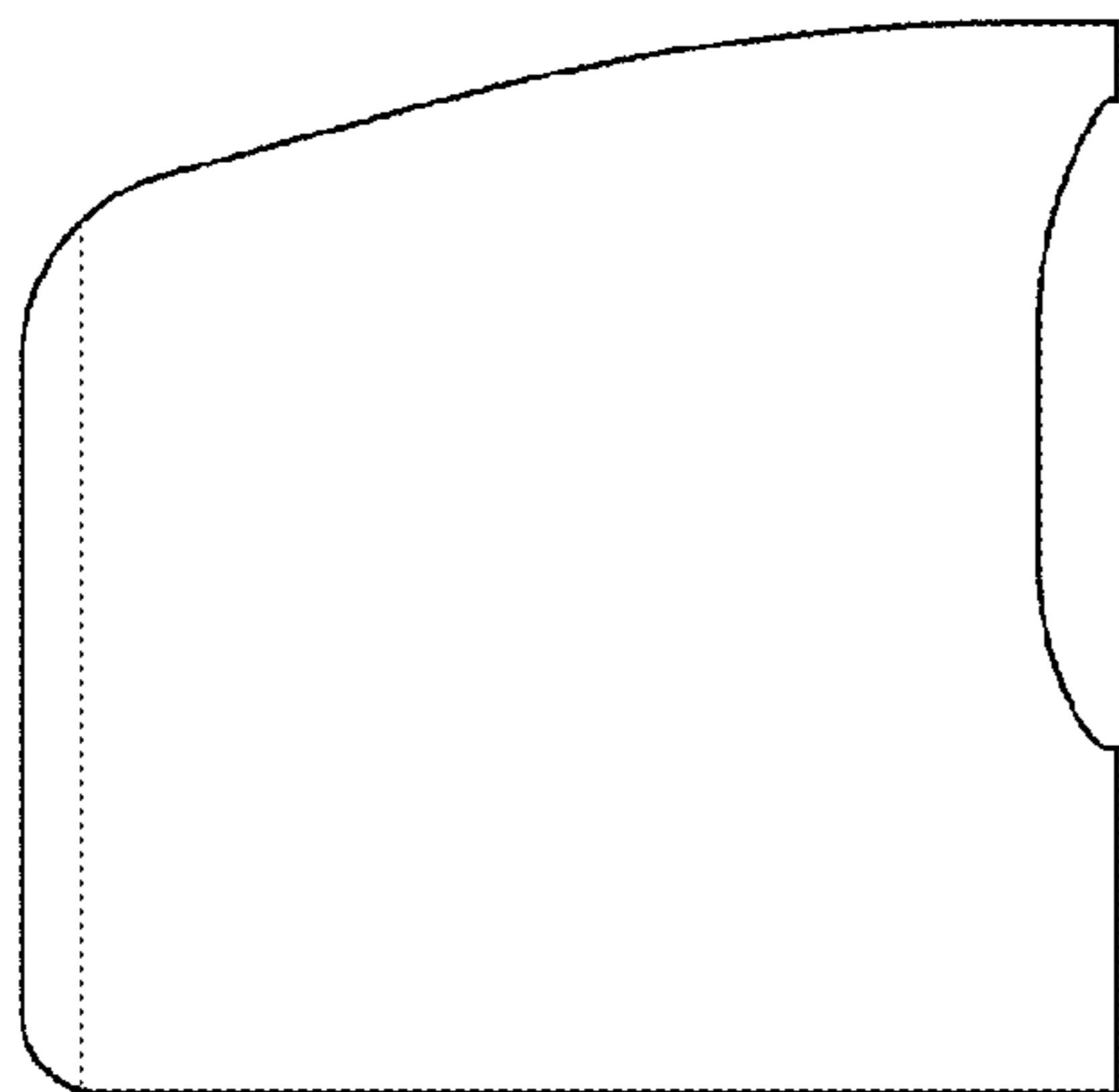


Fig. 2

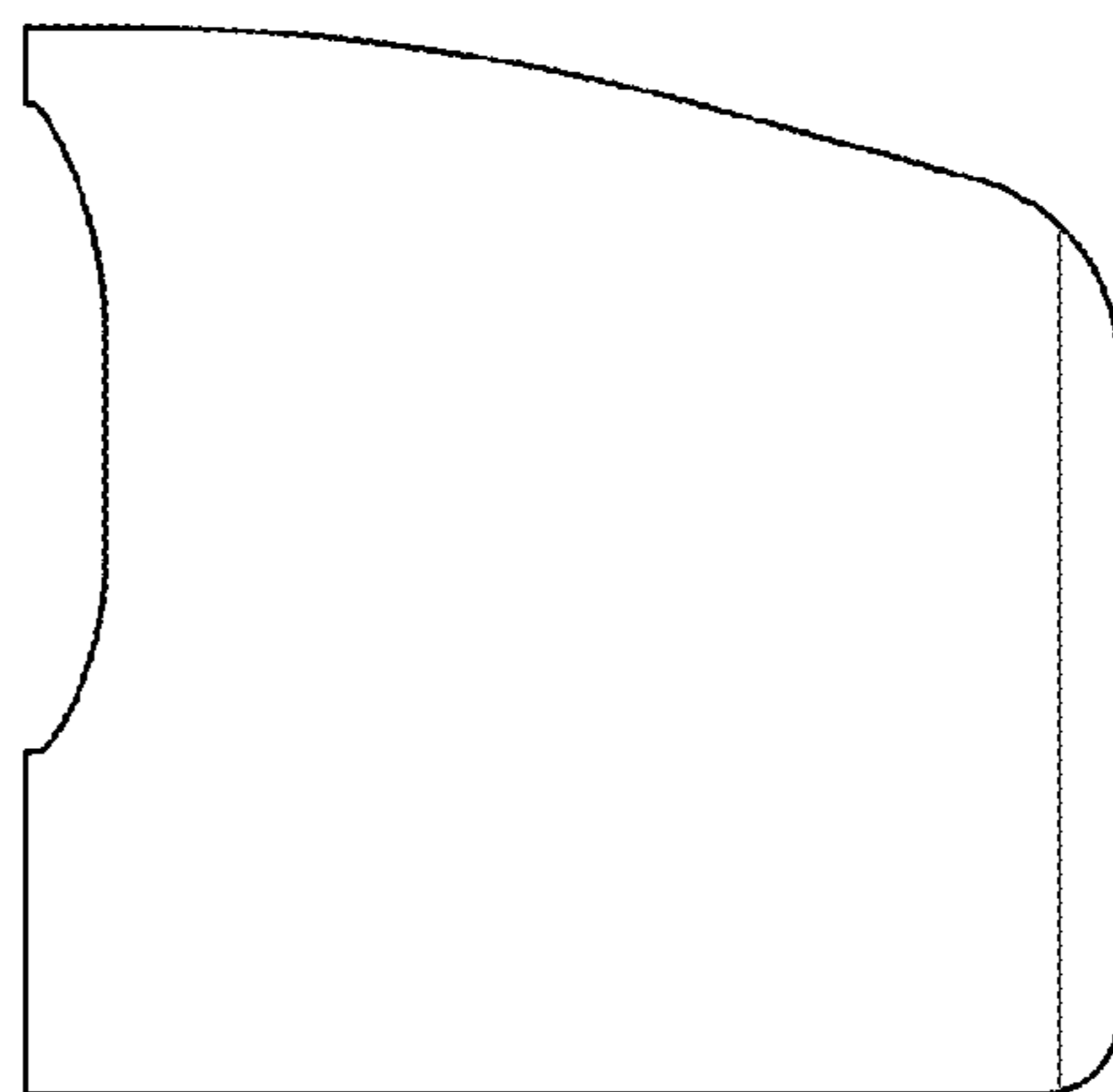


Fig. 3

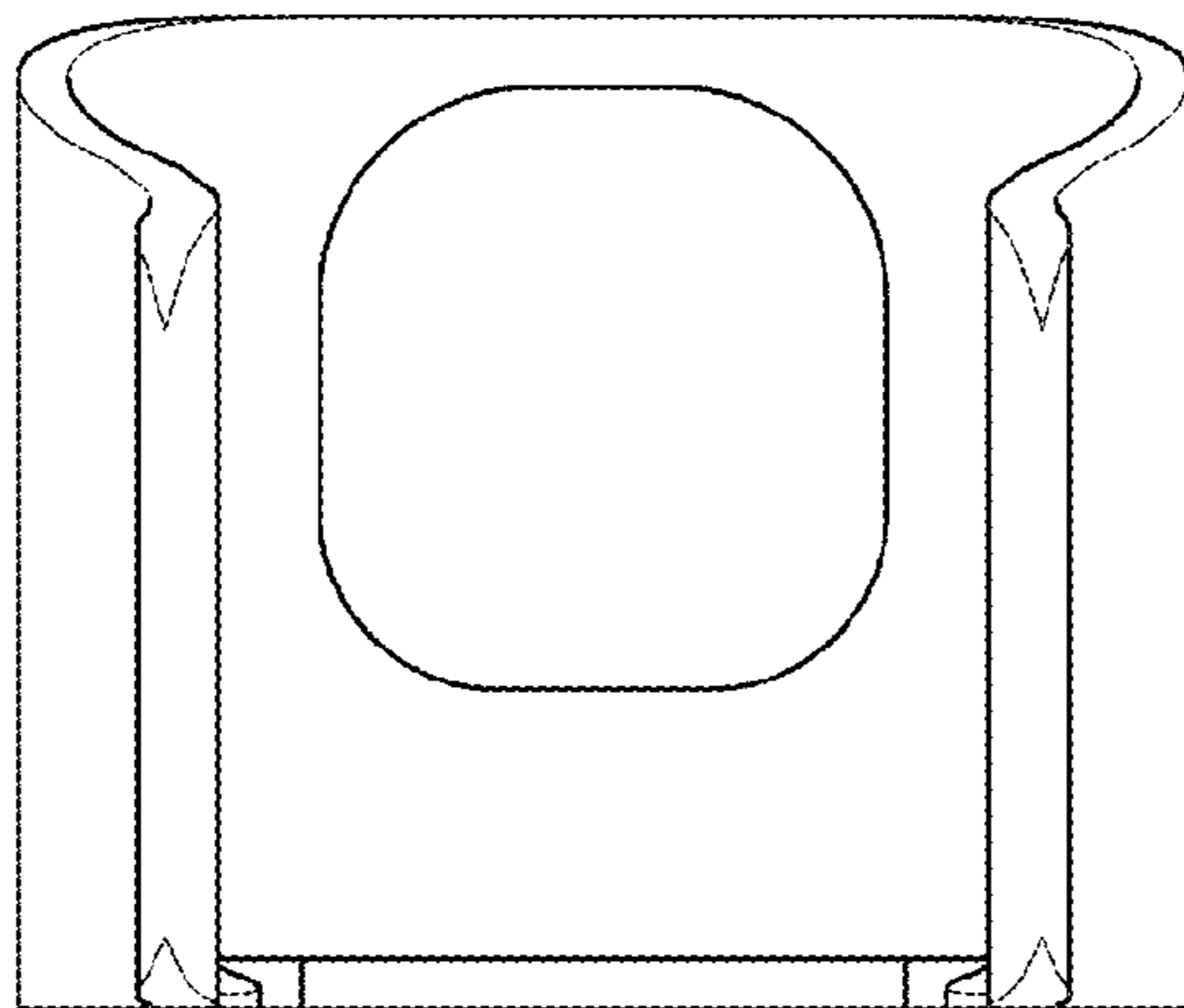


Fig. 4

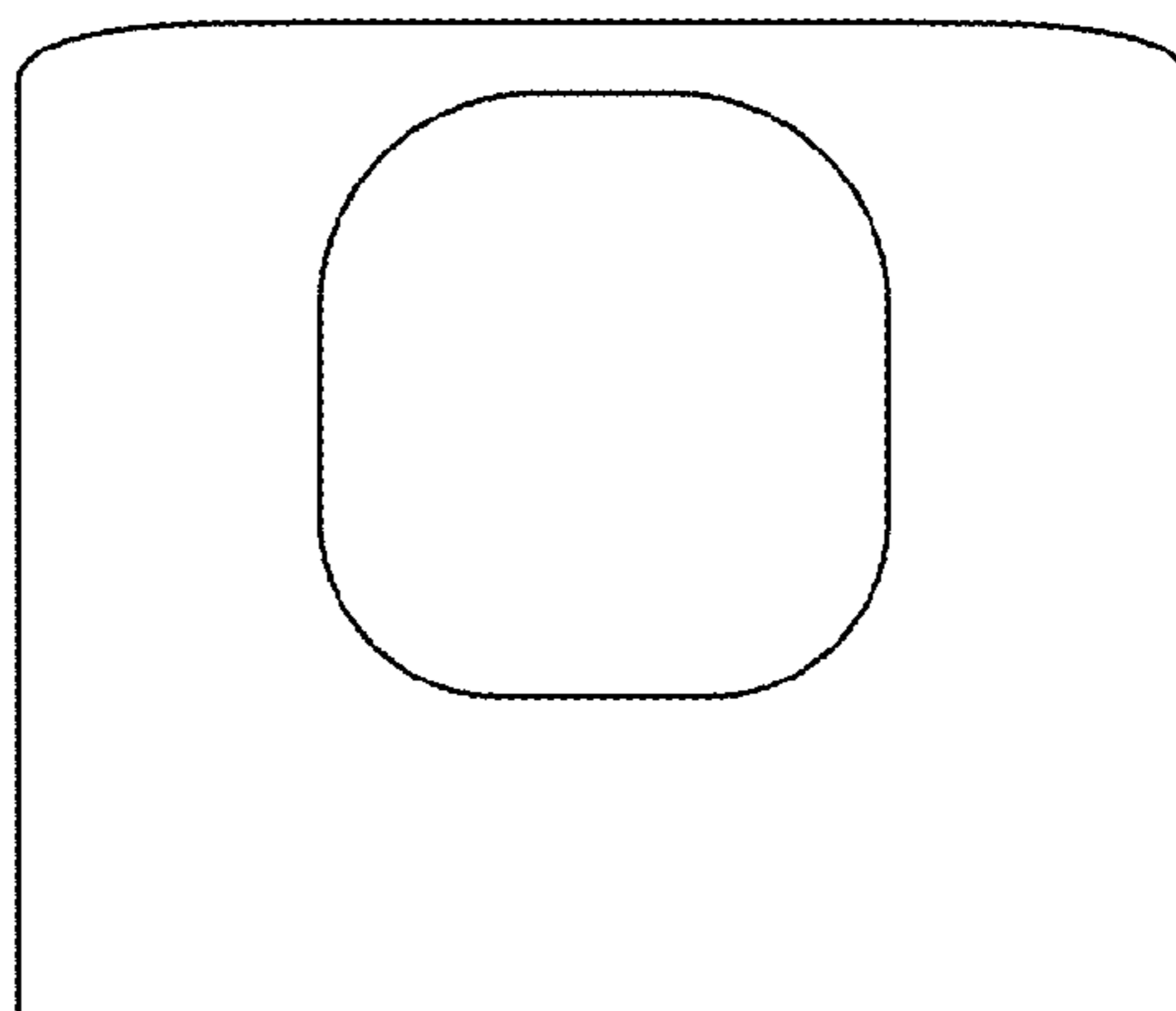


Fig. 5

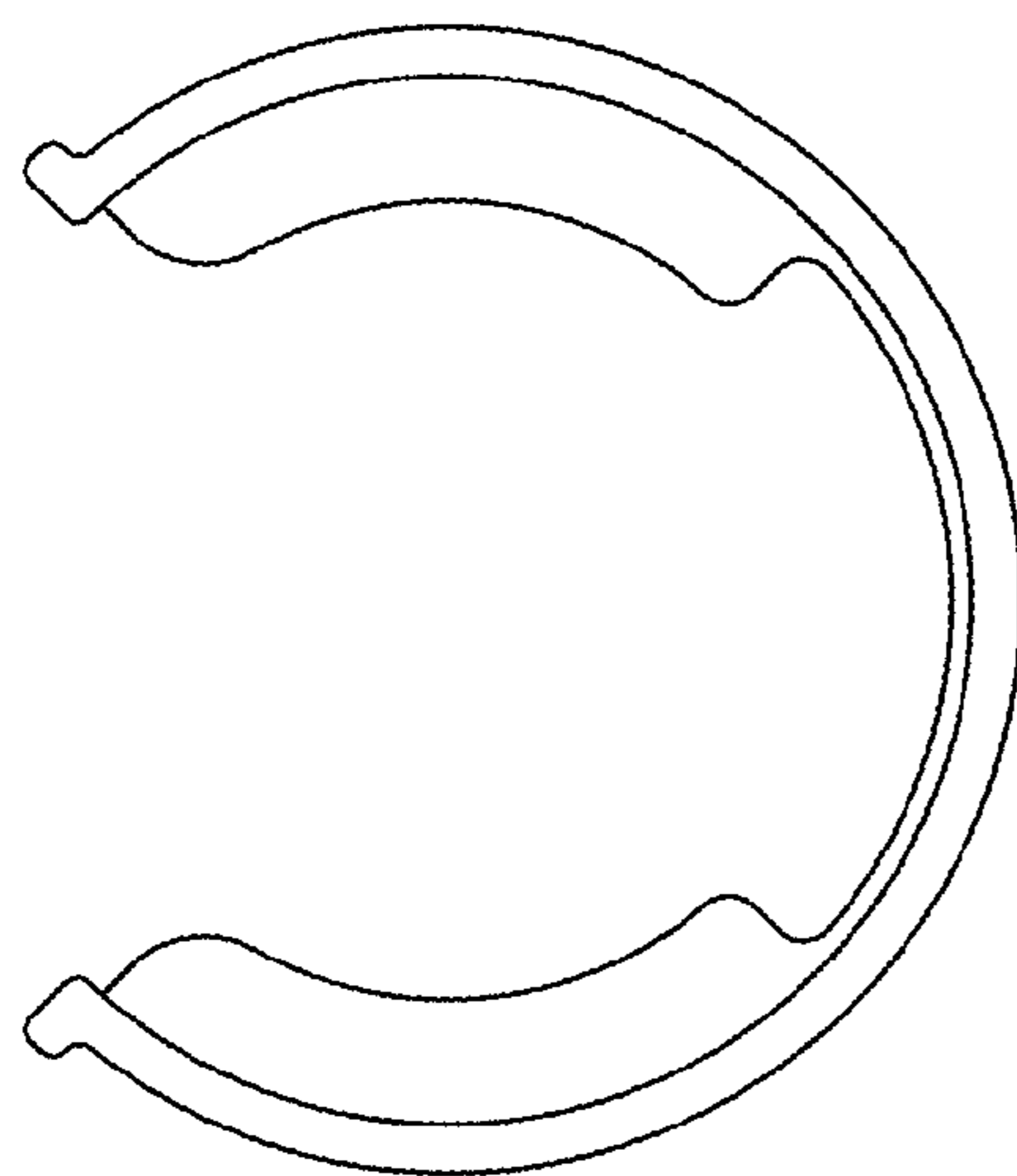


Fig. 6

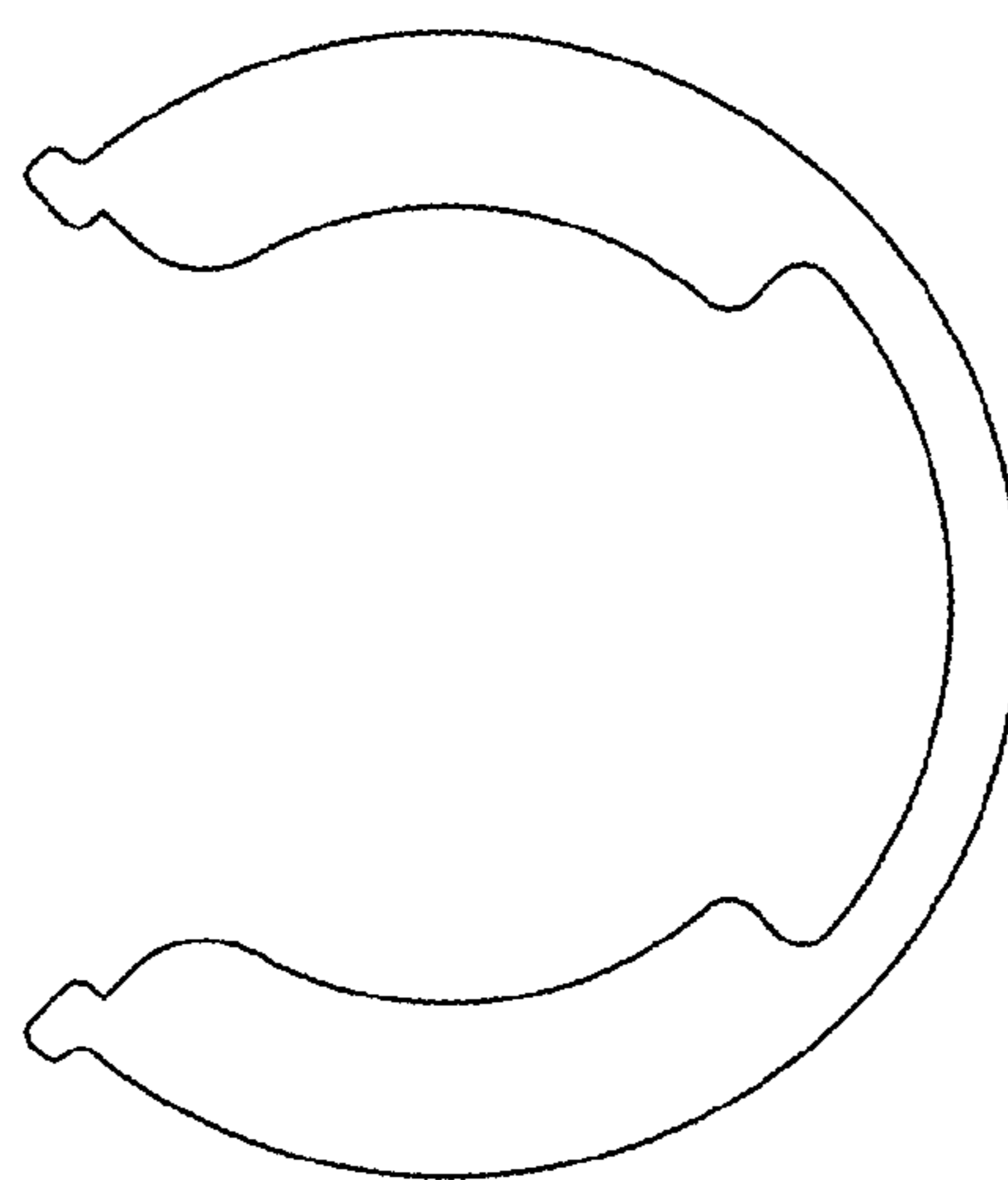


Fig. 7

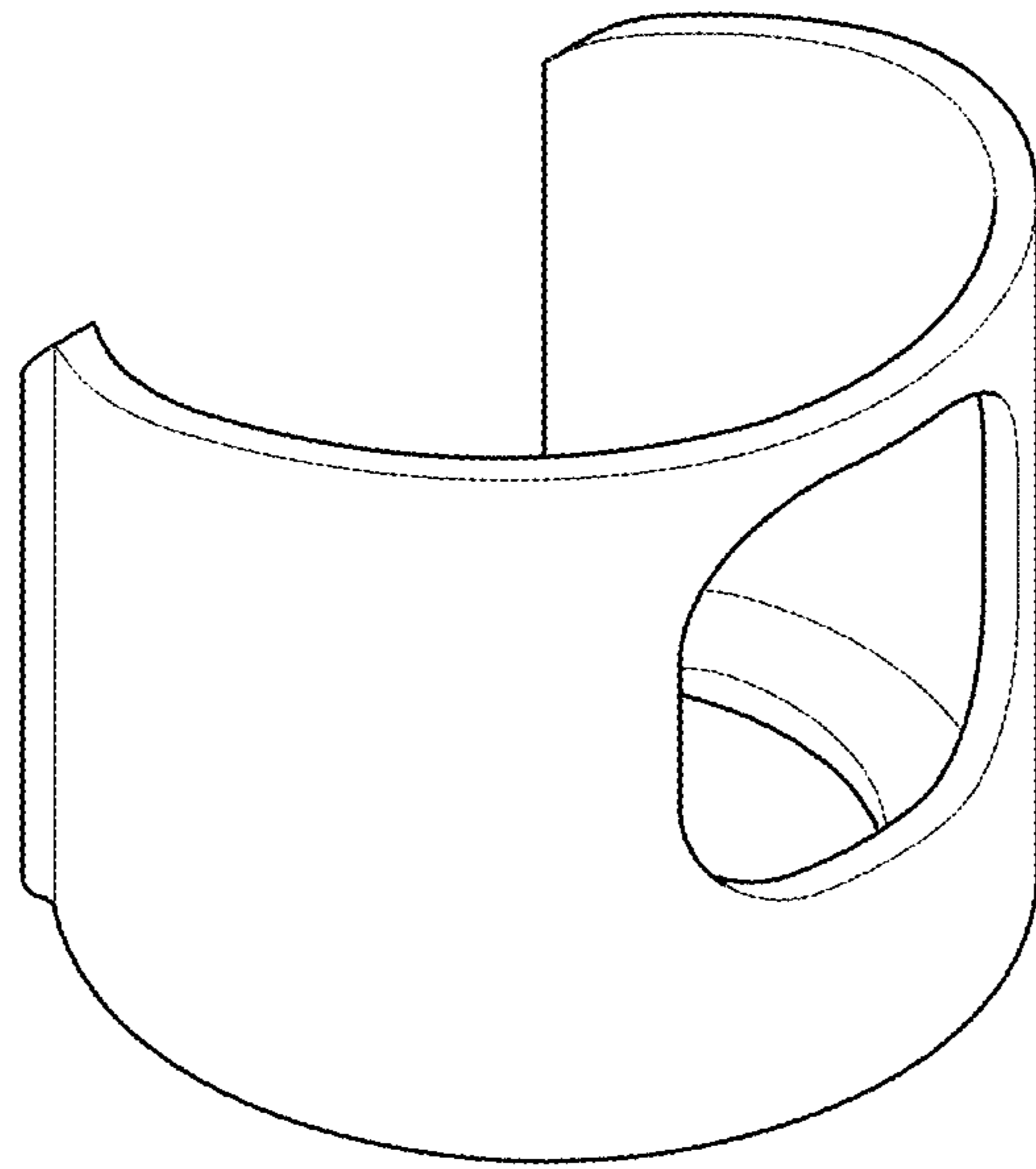


Fig. 8

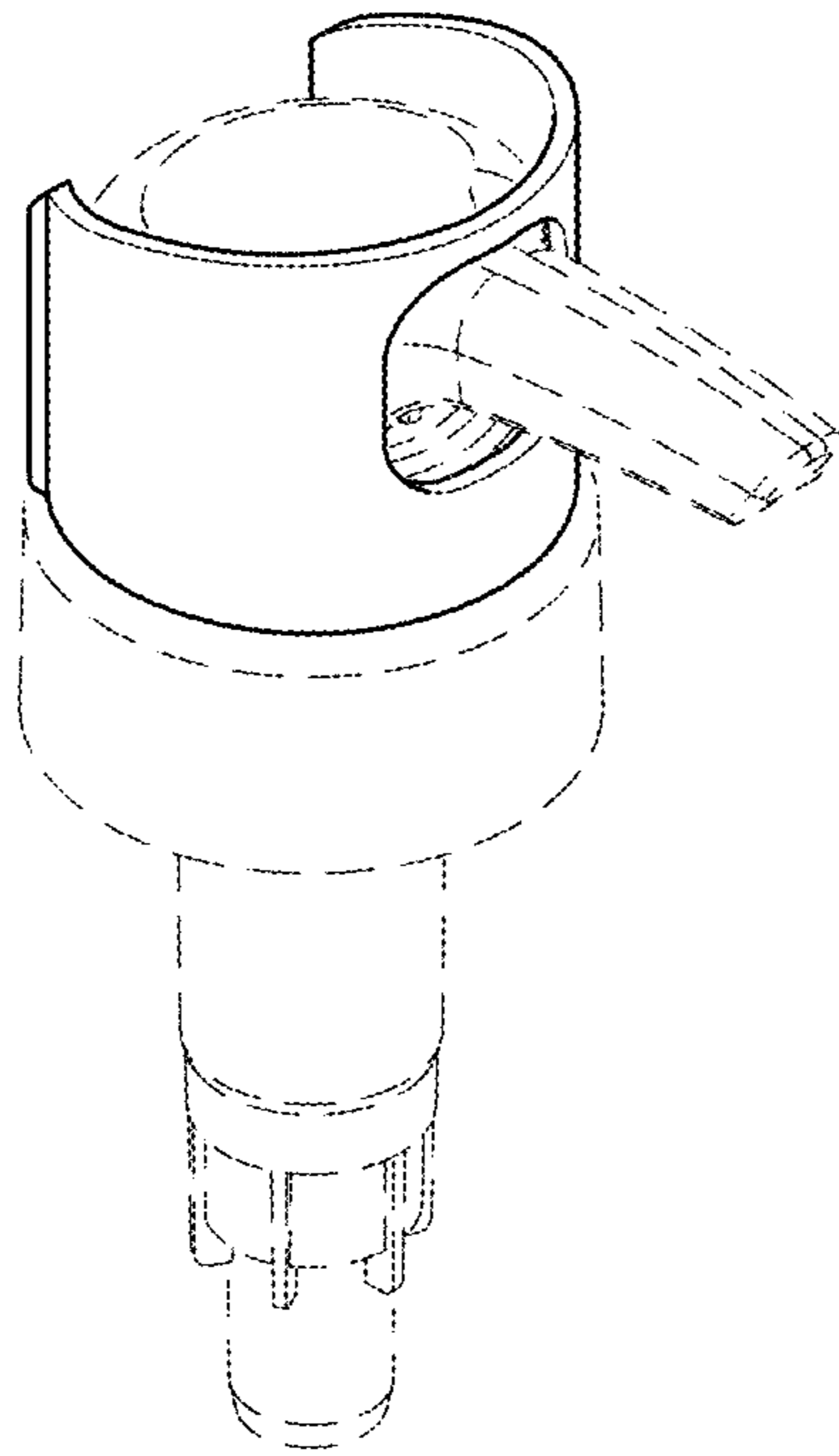


Fig. 9