



US00D755043S

(12) **United States Design Patent**  
**Bailey**

(10) **Patent No.:** **US D755,043 S**

(45) **Date of Patent:** **\*\* May 3, 2016**

(54) **WIRE RETAINER**

(71) Applicant: **Richard F. Bailey**, Gambrills, MD (US)

(72) Inventor: **Richard F. Bailey**, Gambrills, MD (US)

(\*\*) Term: **14 Years**

(21) Appl. No.: **29/485,607**

(22) Filed: **Mar. 20, 2014**

(51) **LOC (10) Cl.** ..... **08-08**

(52) **U.S. Cl.**  
USPC ..... **D8/394; D8/395**

(58) **Field of Classification Search**  
USPC ..... D8/349, 354, 356, 396; D13/154-157,  
D13/184; 104/275; 138/106, 107, 112, 113,  
138/116, 117, 155-158, 162, 163, 166-169,  
138/174; 14/169.5; 174/101, 38, 68.1, 68.3,  
174/72 A, 72 C, 75 R, 84 R, 91, 92, 95, 97  
CPC ... A62C 13/78; A47K 10/14; A47G 25/0657;  
A47G 1/21; E05C 19/145; B63B 19/24;  
F16L 33/12; F16L 33/08; F16L 33/02  
See application file for complete search history.

(56) **References Cited**

**U.S. PATENT DOCUMENTS**

3,807,675	A	4/1974	Seckerson et al.	
D272,785	S *	2/1984	Rumbaugh	D6/552
5,067,677	A	11/1991	Miceli	
5,090,645	A	2/1992	Zuercher	
D326,999	S *	6/1992	Johnson	D8/356
5,188,318	A	2/1993	Newcomer et al.	
D375,890	S *	11/1996	Takai	D8/380
D415,408	S *	10/1999	Wizikowski, Sr.	D8/354
D427,048	S *	6/2000	Potter	D8/356
D462,665	S *	9/2002	Witting	D13/155

D485,161	S *	1/2004	Hutchinson	D8/383
D520,863	S *	5/2006	Schwartz	D8/394
7,051,983	B2	5/2006	Sirignano	
D534,060	S *	12/2006	Kiely	D8/356
H2203	H *	10/2007	Borchardt	D8/396
D568,254	S *	5/2008	Patchett	D13/155
D597,493	S *	8/2009	Wu	D13/155
D612,225	S *	3/2010	Forte	D8/356
D719,103	S *	12/2014	Liang	D13/155
D728,349	S *	5/2015	Lake	D8/356

**OTHER PUBLICATIONS**

“Fastening Products.” pp. 165-172.

\* cited by examiner

*Primary Examiner* — John Windmuller

(74) *Attorney, Agent, or Firm* — Maier & Maier, PLLC

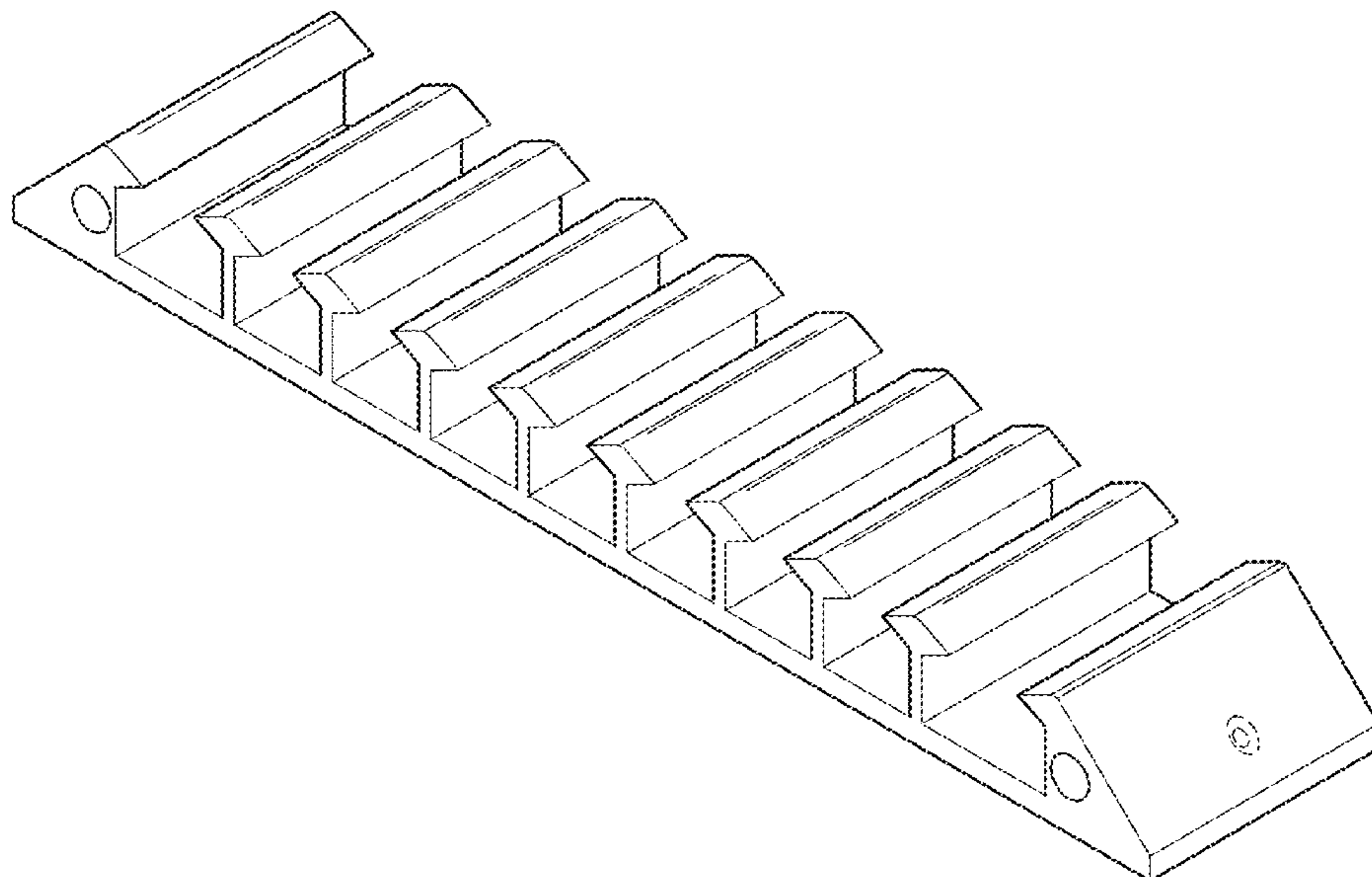
(57) **CLAIM**

The ornamental design for wire retainer, as shown and described.

**DESCRIPTION**

FIG. 1 is a front isometric view of a first embodiment of a wire retainer, showing my design;  
FIG. 2 is a front view thereof, the rear view being a mirror image of the front view;  
FIG. 3 is a top view thereof; and,  
FIG. 4 is a side view thereof, both side views being identical.  
The bottom of the wire retainer is flat and unornamented, and forms no part of the claimed design.  
The broken line showing of parts of the drawings illustrates portions of the wire retainer and forms no part of the claimed design.

**1 Claim, 2 Drawing Sheets**



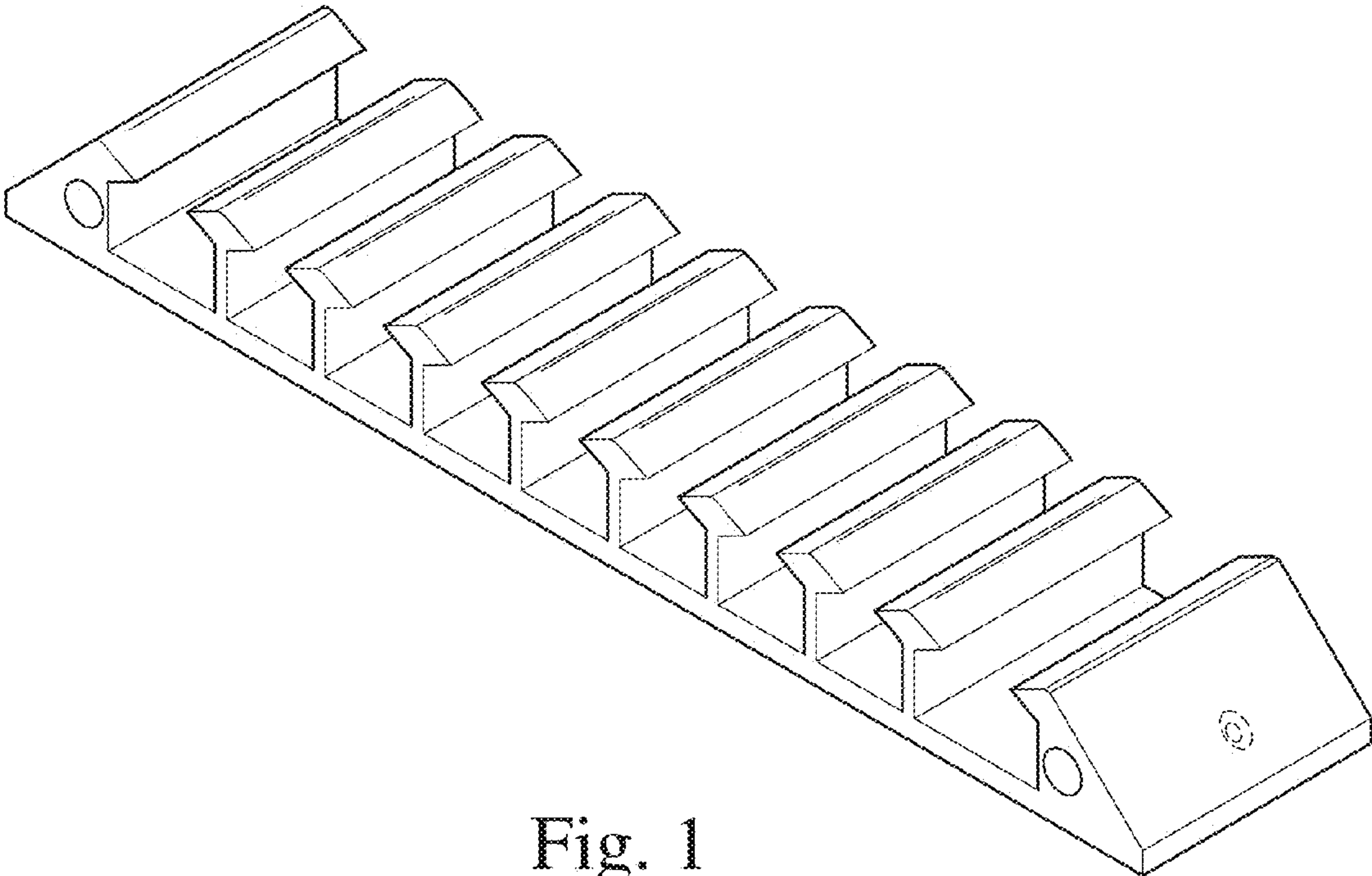


Fig. 1

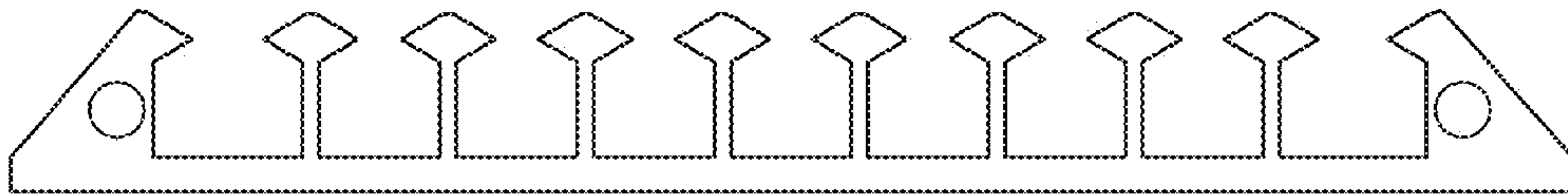


Fig. 2

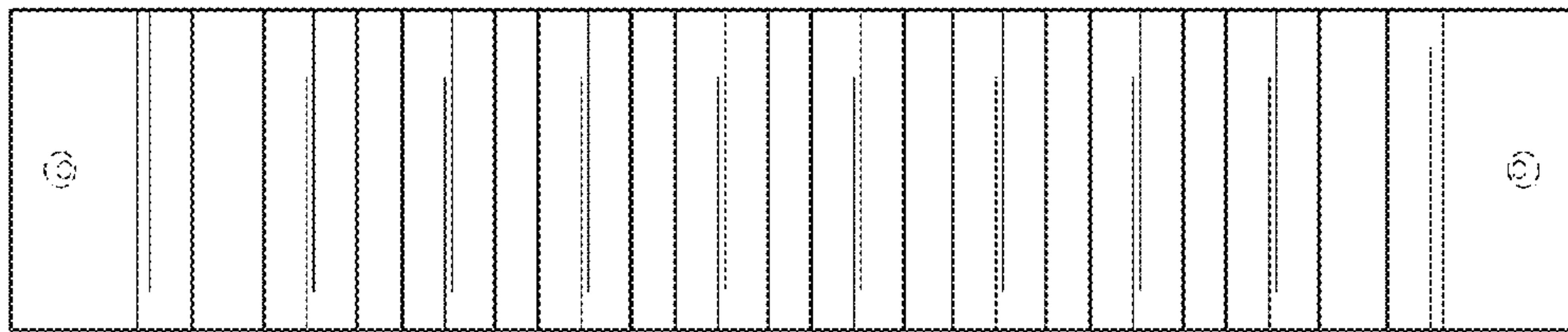


Fig. 3

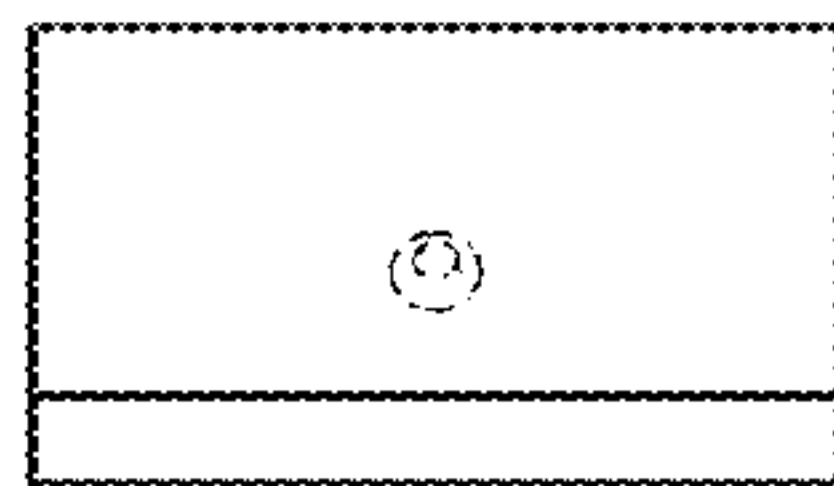


Fig. 4