



US00D755042S

(12) **United States Design Patent**  
**Kalis**

(10) **Patent No.:** **US D755,042 S**

(45) **Date of Patent:** **\*\* May 3, 2016**

(54) **SKATEBOARD TRUCK BOLT**

(71) Applicant: **Josh Kalis**, Carlsbad, CA (US)

(72) Inventor: **Josh Kalis**, Carlsbad, CA (US)

(\*\*) Term: **14 Years**

(21) Appl. No.: **29/500,832**

(22) Filed: **Aug. 28, 2014**

(51) **LOC (10) Cl.** ..... **08-08**

(52) **U.S. Cl.**  
USPC ..... **D8/387**

(58) **Field of Classification Search**  
USPC ..... D8/349, 382, 387, 391, 392, 393, 499  
CPC ..... F16B 23/0069; F16B 23/0046; F16B  
23/0053; F16B 23/00; F16B 23/0007; F16B  
23/003; F16B 23/0023; F16B 35/00; F16B  
35/06; B21K 1/463; Y10S 411/919; Y10S  
411/91

See application file for complete search history.

(56) **References Cited**

**U.S. PATENT DOCUMENTS**

|           |     |         |             |         |
|-----------|-----|---------|-------------|---------|
| 2,084,078 | A * | 6/1937  | Clark       | 470/9   |
| 2,140,449 | A * | 12/1938 | Brown       | 411/410 |
| 3,120,012 | A * | 2/1964  | Muenchinger | 470/63  |
| 3,238,541 | A * | 3/1966  | Muenchinger | 470/15  |
| 4,126,908 | A * | 11/1978 | Gill        | 470/63  |
| 4,202,244 | A * | 5/1980  | Gutshall    | 411/404 |
| D264,552  | S * | 5/1982  | Bogren      | D8/387  |
| 4,355,552 | A * | 10/1982 | Gutshall    | 81/460  |
| 5,020,954 | A * | 6/1991  | Dreger      | 411/403 |

|              |      |         |                |           |
|--------------|------|---------|----------------|-----------|
| 5,203,657    | A *  | 4/1993  | Nagoshi et al. | 411/399   |
| 5,364,212    | A *  | 11/1994 | Gill           | 411/404   |
| 6,302,632    | B1 * | 10/2001 | Lin            | 411/404   |
| 6,852,037    | B2 * | 2/2005  | Hughes         | 470/63    |
| 7,883,307    | B2 * | 2/2011  | Pippard et al. | 411/387.1 |
| D646,152     | S *  | 10/2011 | Shinjo         | D8/387    |
| 8,057,147    | B2 * | 11/2011 | Ernst et al.   | 411/387.1 |
| 2009/0257844 | A1 * | 10/2009 | Chou et al.    | 411/410   |
| 2010/0221086 | A1 * | 9/2010  | Pippard et al. | 411/387.3 |

**OTHER PUBLICATIONS**

Independent Phillips/Allen Combi Truck Bolts 1", Image post date Unknown, site visited on Jul. 20, 2015 (online), <<http://www.worldskateshop.com/independent-phillips-allen-combi-truck-bolts-1>>.\*

\* cited by examiner

*Primary Examiner* — Sheryl Lane

*Assistant Examiner* — Ieisha Price

(74) *Attorney, Agent, or Firm* — Steven W. Webb

(57) **CLAIM**

The ornamental design for a skateboard truck bolt, as shown and described.

**DESCRIPTION**

FIG. 1 is a perspective view of the skateboard truck bolt, showing my new invention.

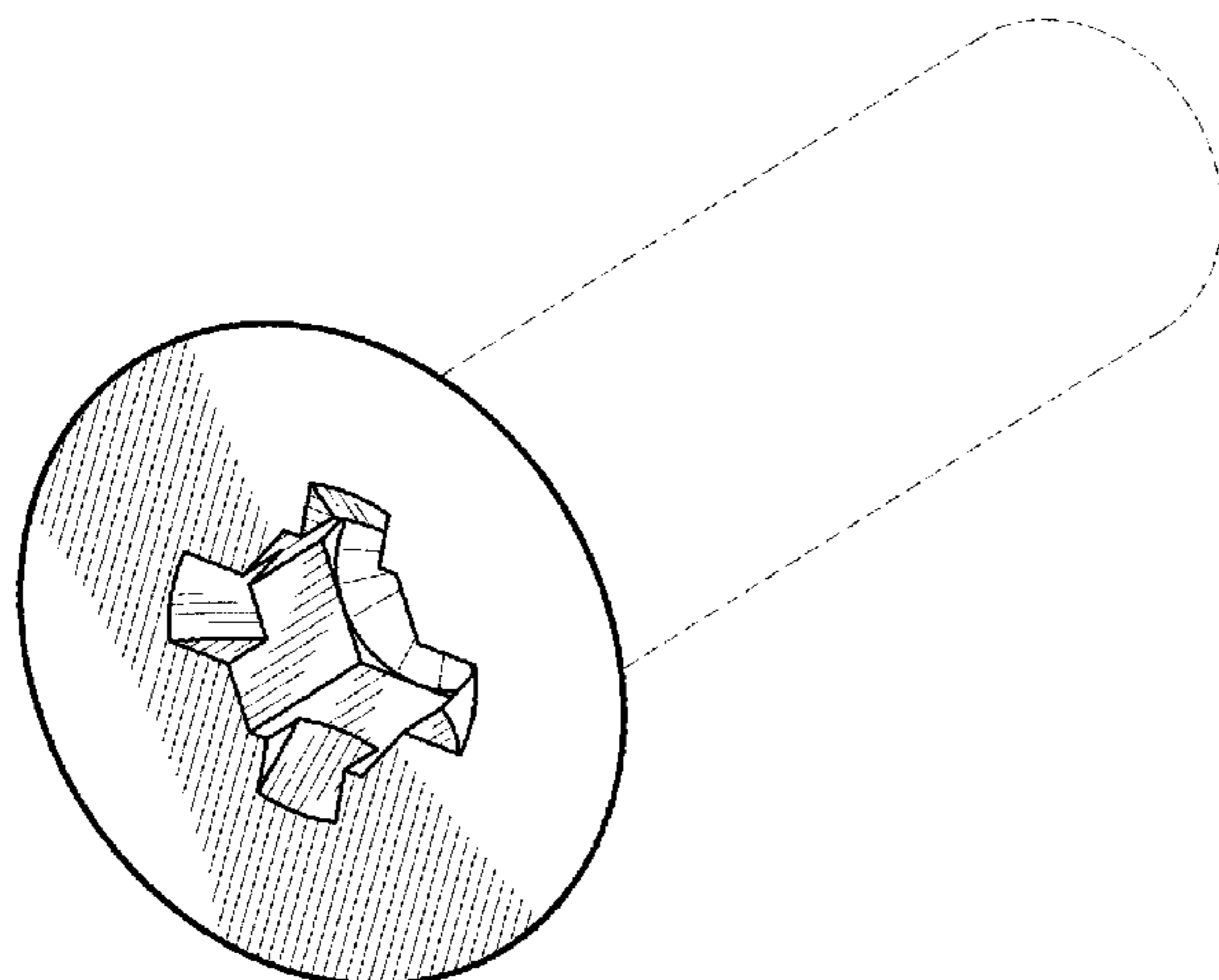
FIG. 2 is a side view of FIG. 1.

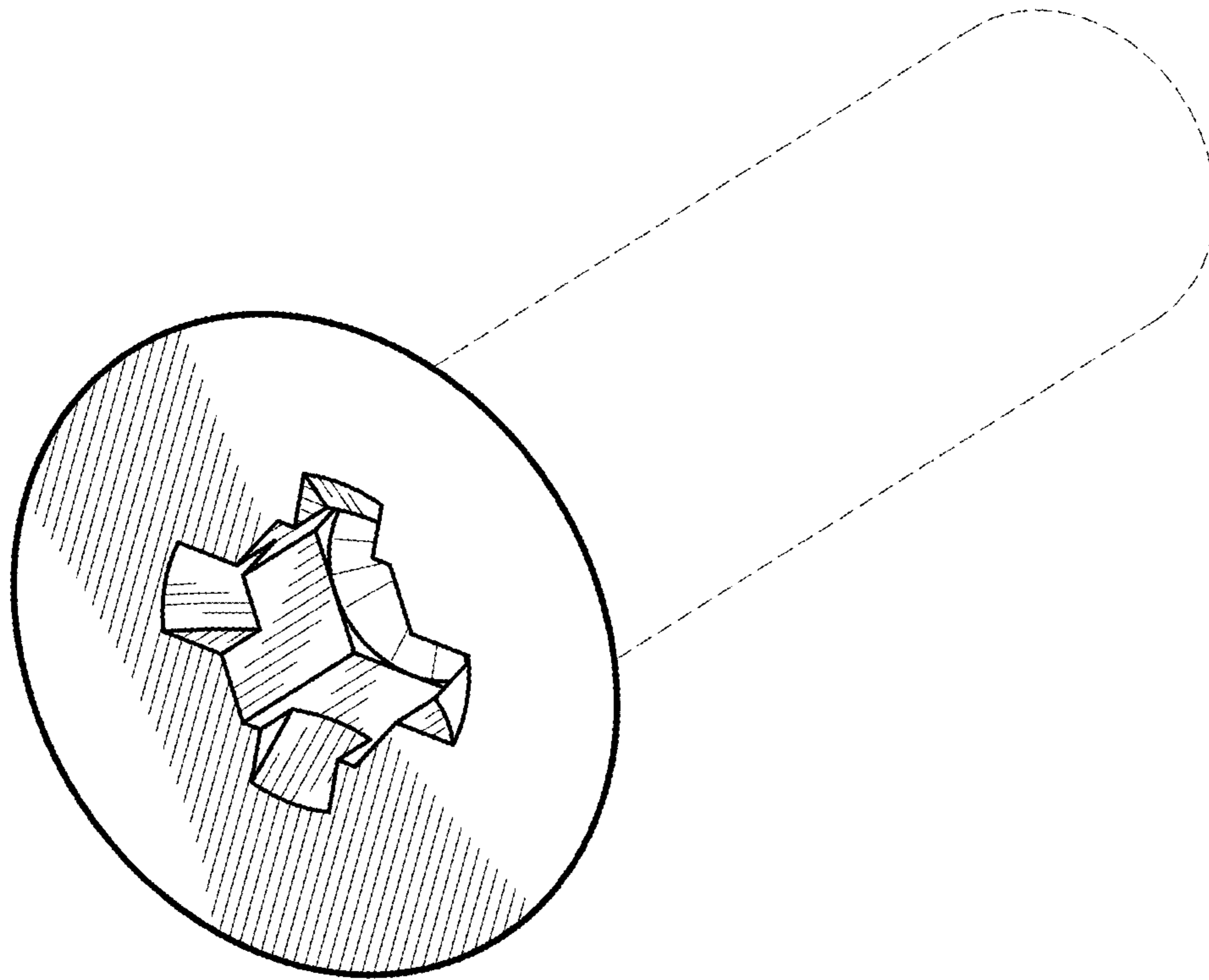
FIG. 3 is top view of FIG. 1.

FIG. 4 is a bottom view of FIG. 1; and,

FIG. 5 is a cross-section view, taken along line 5-5 of FIG. 3.

**1 Claim, 2 Drawing Sheets**

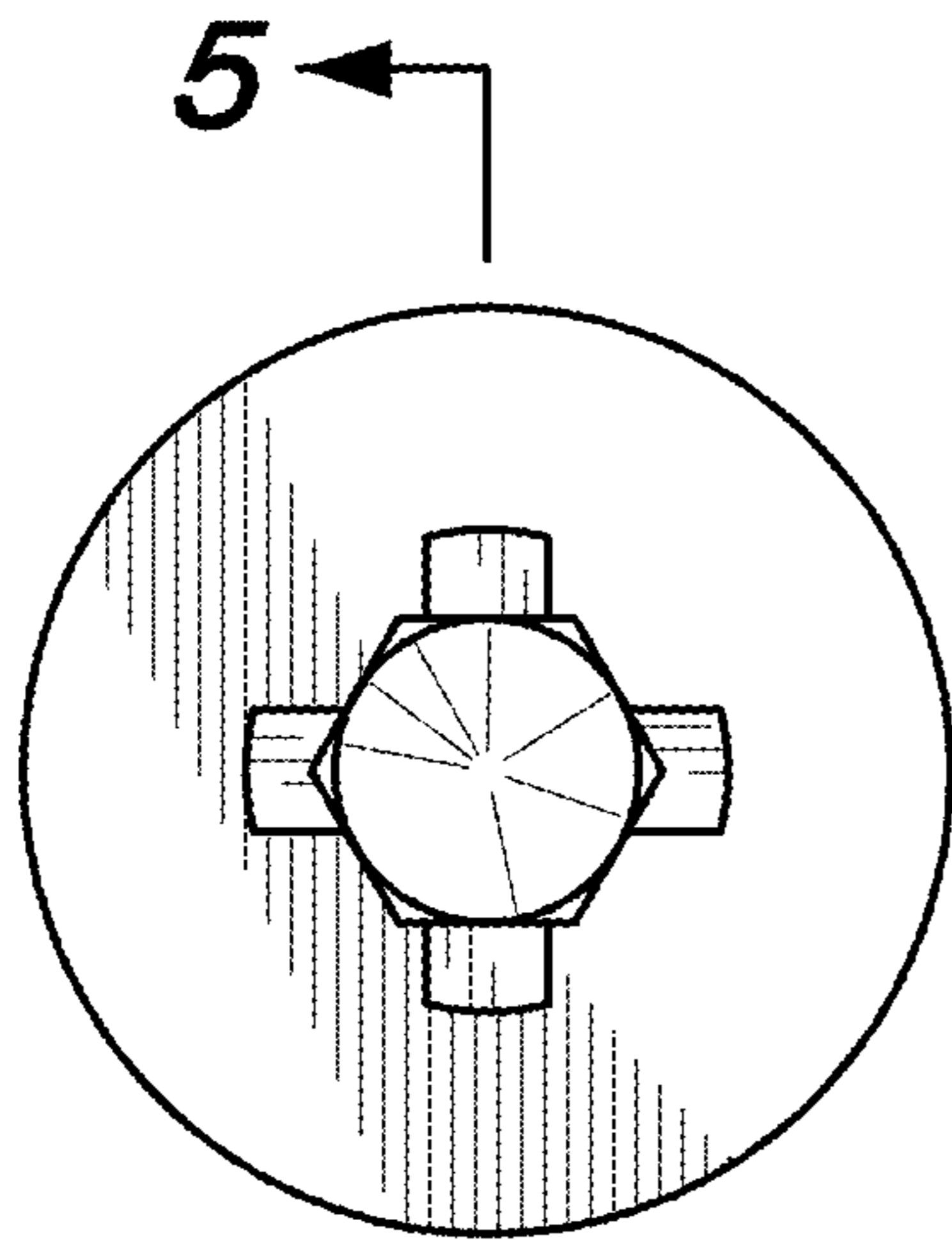




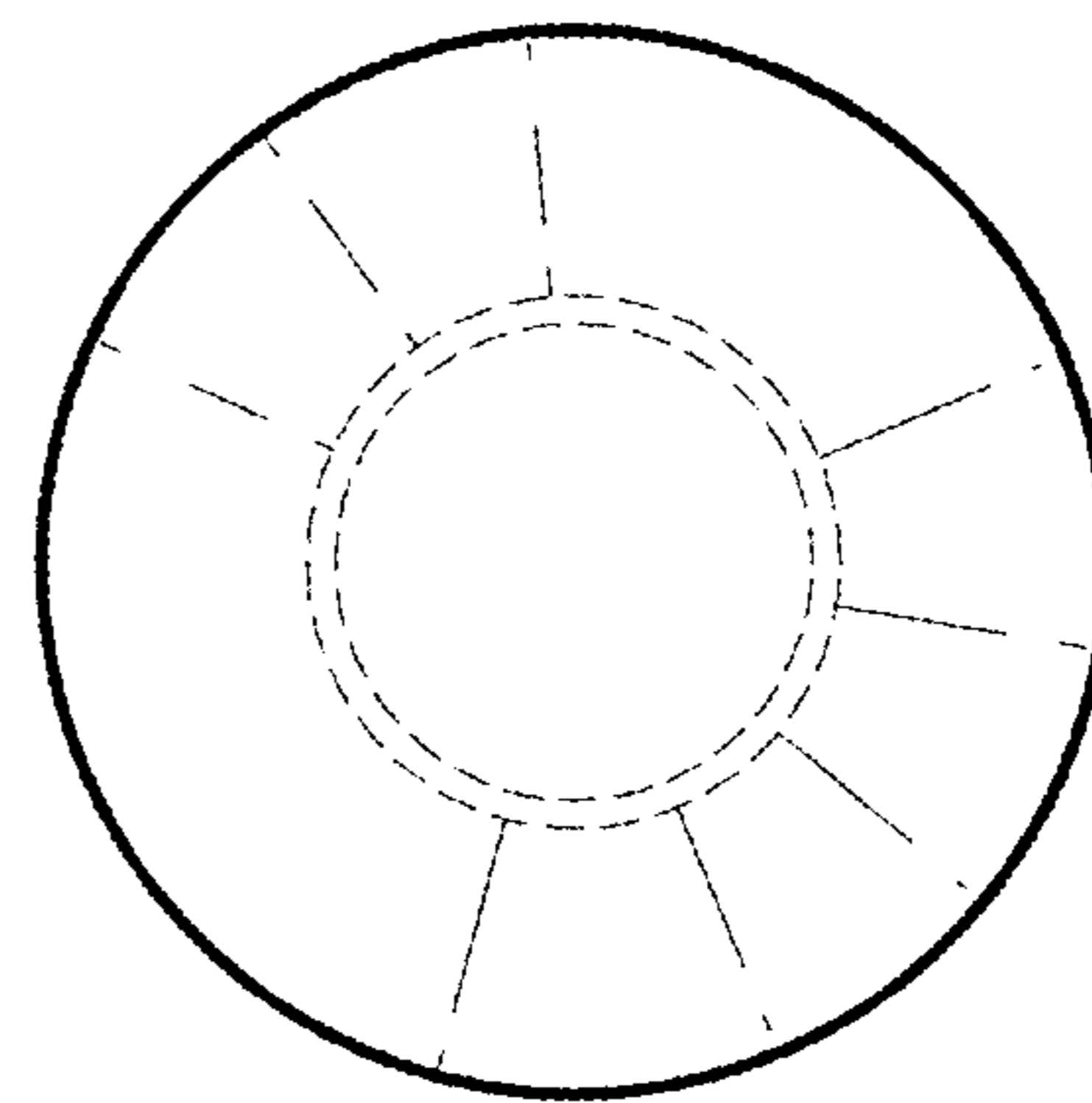
**FIG. 1**



**FIG. 2**



**5** ← *FIG. 3*



*FIG. 4*



*FIG. 5*