



US00D755039S

(12) **United States Design Patent**
Jansson

(10) **Patent No.:** **US D755,039 S**

(45) **Date of Patent:** **** May 3, 2016**

(54) **ROPE HITCH**

(71) Applicant: **Anders Jansson**, Helsinki (FI)

(72) Inventor: **Anders Jansson**, Helsinki (FI)

(**) Term: **14 Years**

(21) Appl. No.: **29/478,791**

(22) Filed: **Jan. 8, 2014**

(51) **LOC (10) Cl.** **08-05**

(52) **U.S. Cl.**
USPC **D8/356**

(58) **Field of Classification Search**
USPC 24/265 H, 265 R, 599.1, 599.8, 113 R,
24/573.5; 160/394.2; 294/82.18; 29/525.1,
29/45.3; 223/106; 248/215, 301, 339,
248/349.1; D8/354, 349, 367, 356, 371,
D8/373, 355; D6/24

CPC ... G06F 1/1626; G06F 1/1633; G06F 1/1675;
G06F 1/1679; G02F 1/1306; G02F 1/133;
G02F 1/133308; G02F 1/153; G02F 1/1533;
G02F 2001/133317; H04M 1/185; H04M
1/0252; H04B 1/3888; A63B 27/00

See application file for complete search history.

(56) **References Cited**

U.S. PATENT DOCUMENTS

1,808,328 A * 6/1931 Thomson 248/74.1
4,087,157 A * 5/1978 Hodges 385/70

D408,269 S *	4/1999	Ross	D8/356
D454,483 S *	3/2002	Wolf	D8/394
D470,034 S *	2/2003	Wu et al.	D8/356
D477,770 S *	7/2003	Baker et al.	D8/373
D497,305 S *	10/2004	Perri et al.	D8/356
D512,904 S *	12/2005	Thaler	D8/356
D532,292 S *	11/2006	Duwel	D8/395
D576,406 S *	9/2008	Chan	D3/318
D629,671 S *	12/2010	Ohuri et al.	D8/356
D697,784 S *	1/2014	Lavelle et al.	D8/356

* cited by examiner

Primary Examiner — Cynthia Underwood

(74) *Attorney, Agent, or Firm* — Skinner and Associates;
Joel Skinner

(57) **CLAIM**

The ornamental design for a rope hitch, as shown and described.

DESCRIPTION

FIG. 1 is a top view of a rope hitch showing an embodiment of the design of the invention.

FIG. 2 is an end view thereof.

FIG. 3 is a front, elevation view thereof.

FIG. 4 is an opposite end view thereof.

FIG. 5 is a bottom view thereof.

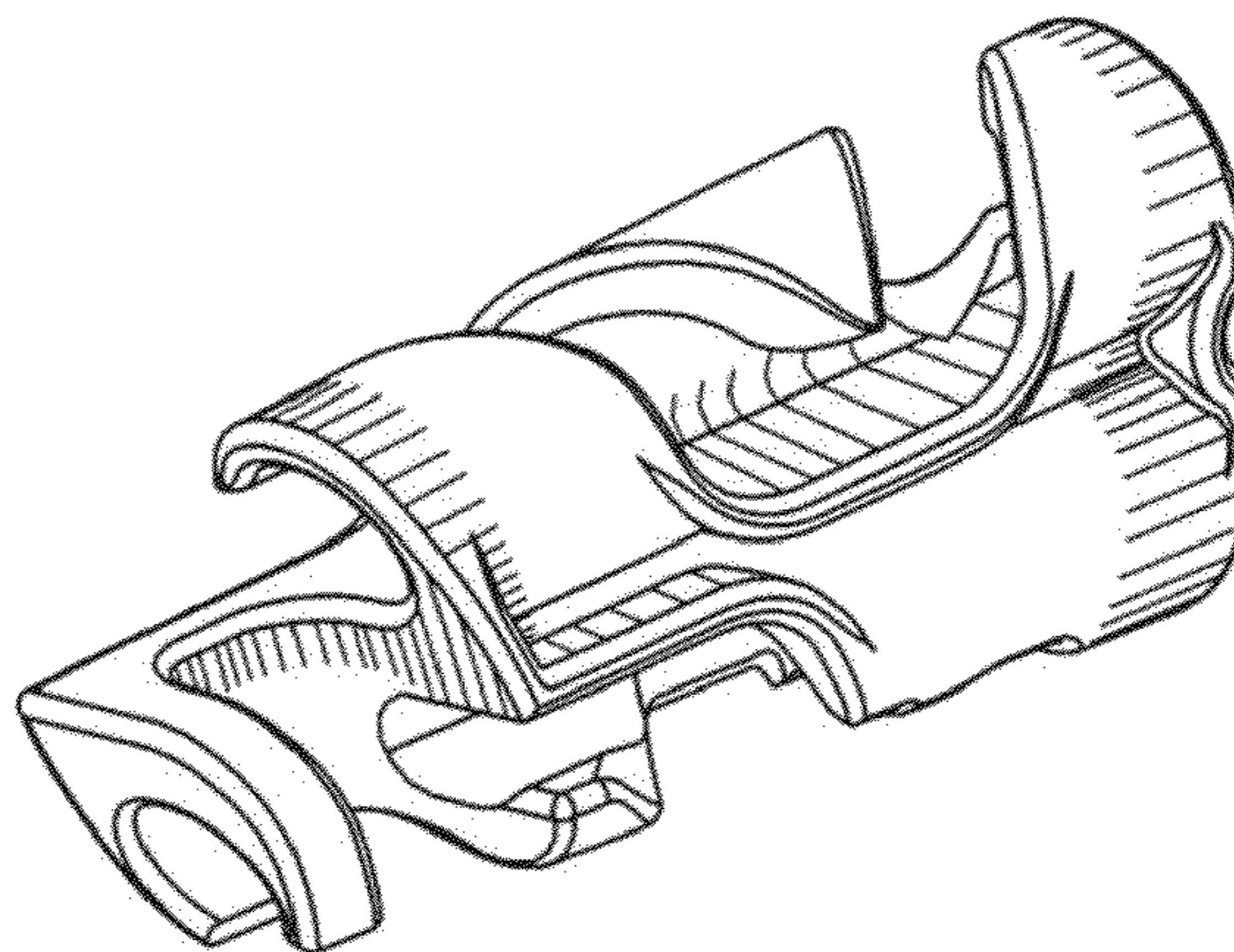
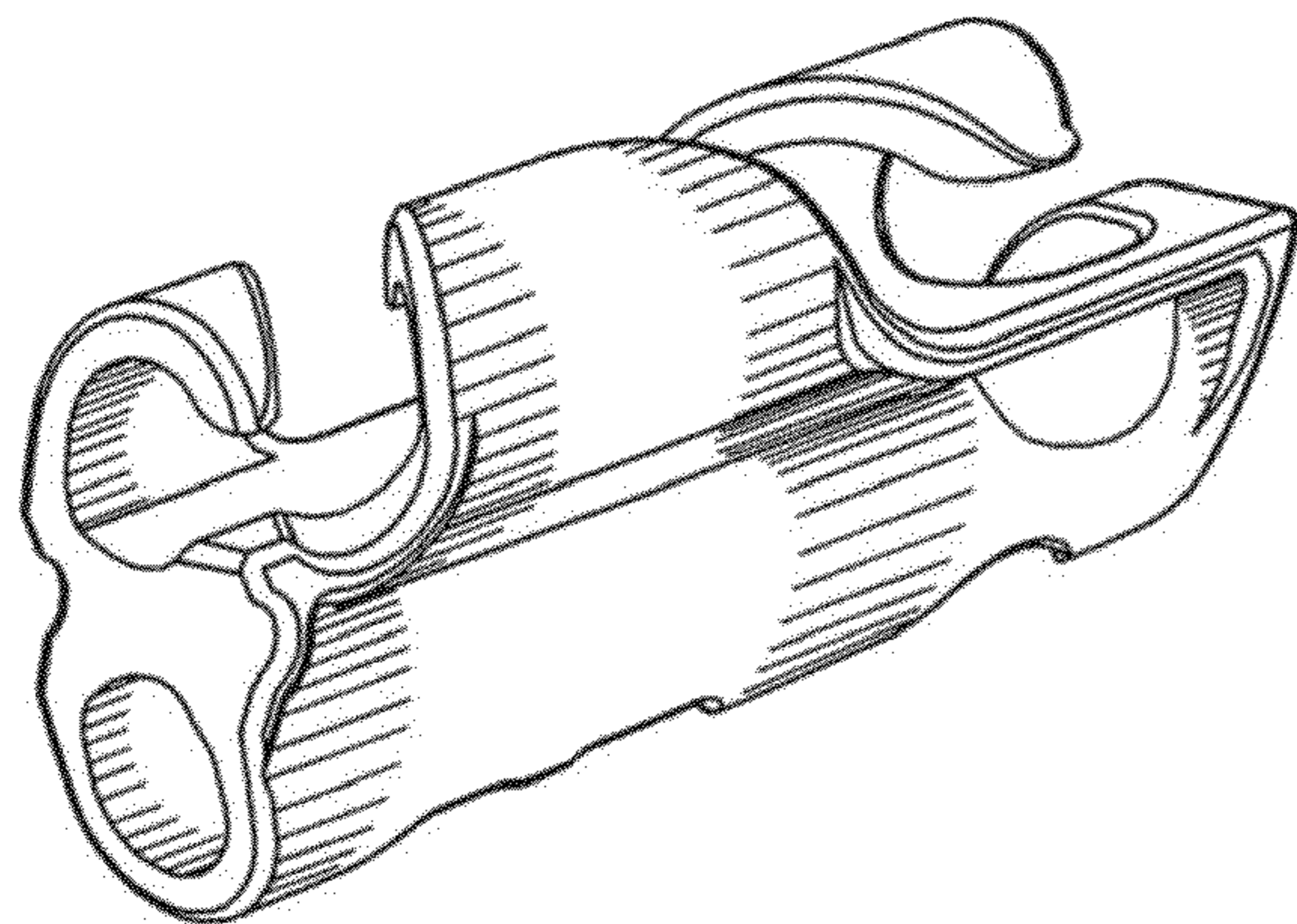
FIG. 6 is a back view thereof.

FIG. 7 is a perspective view thereof.

FIG. 8 is another perspective view thereof; and,

FIG. 9 is yet another perspective view thereof.

1 Claim, 4 Drawing Sheets



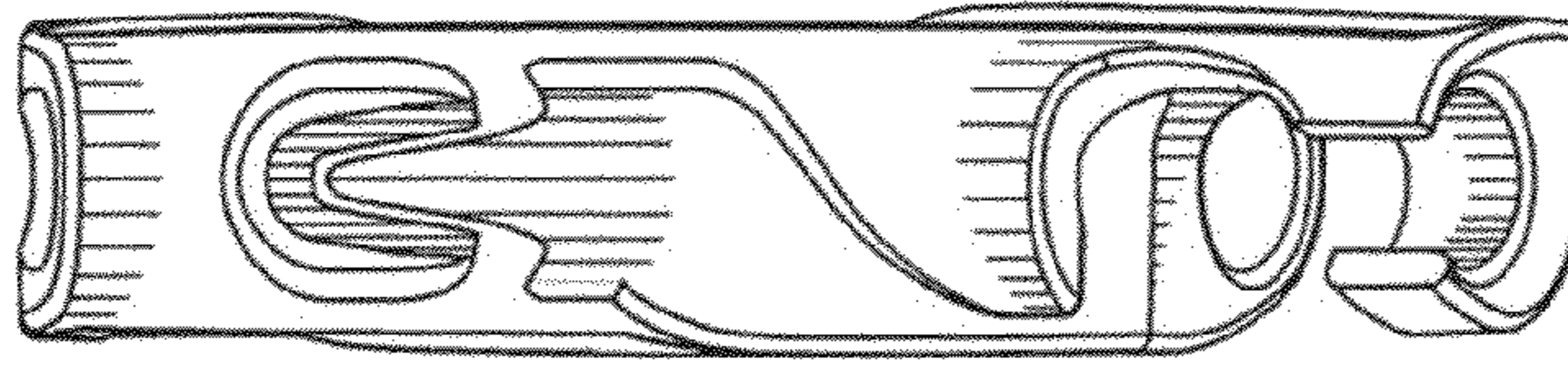


Fig. 1

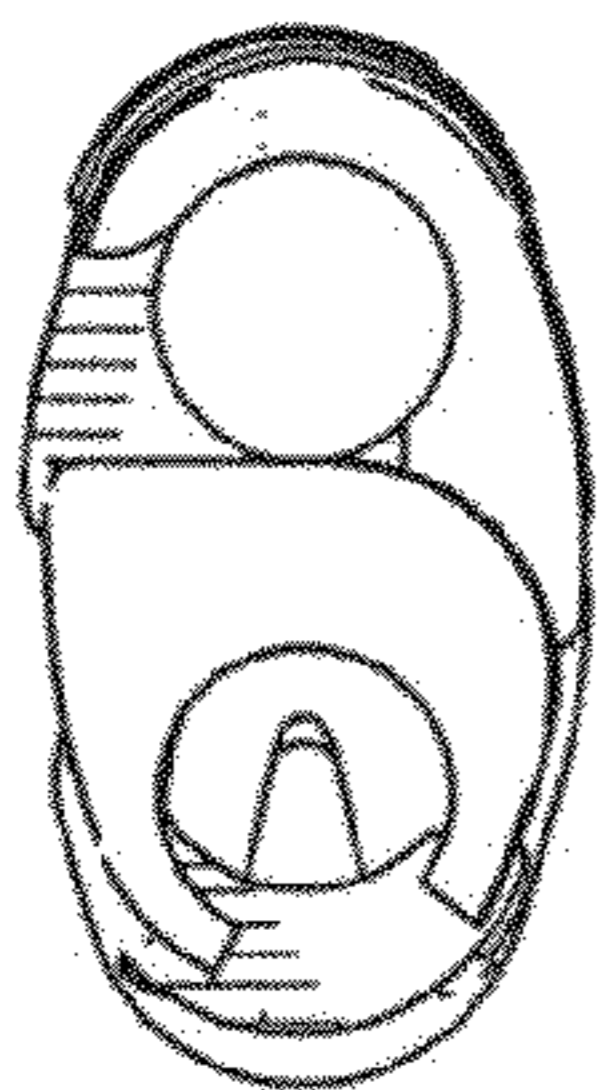


Fig. 2

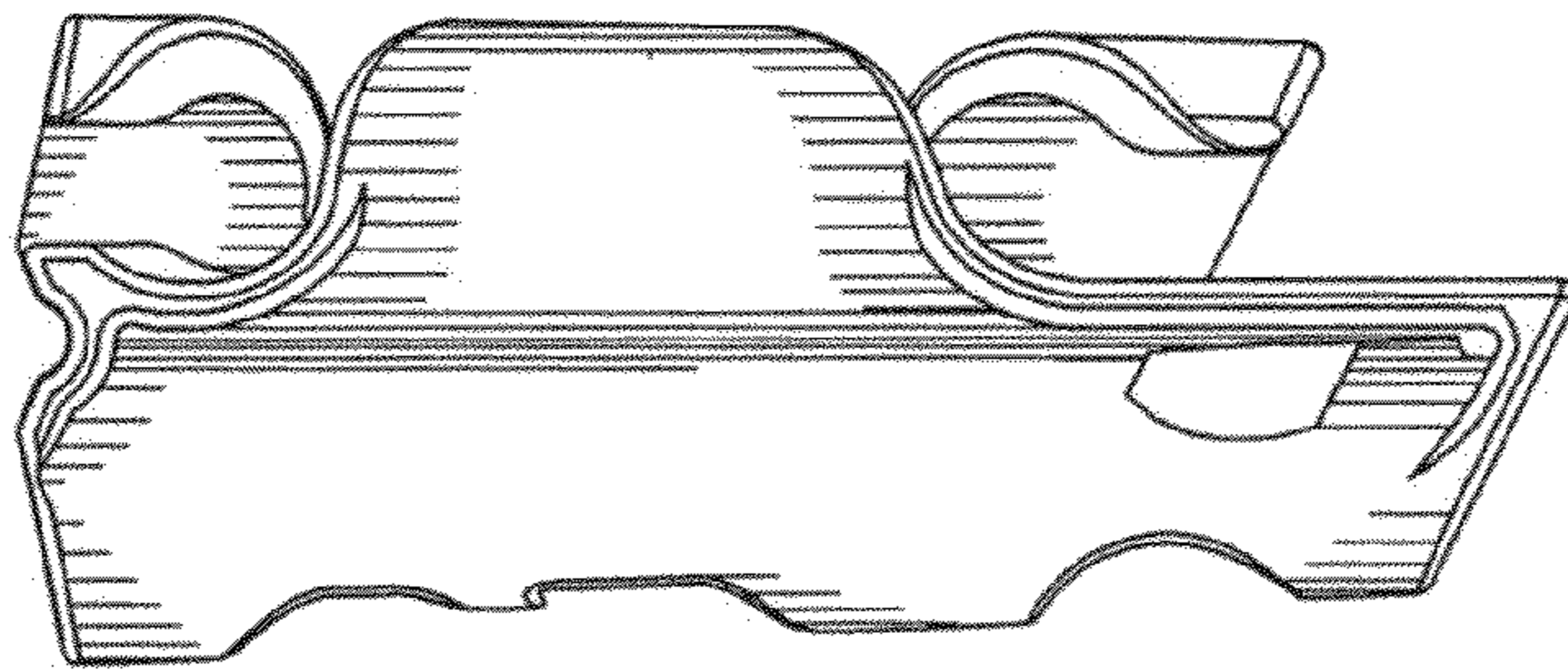


Fig. 3

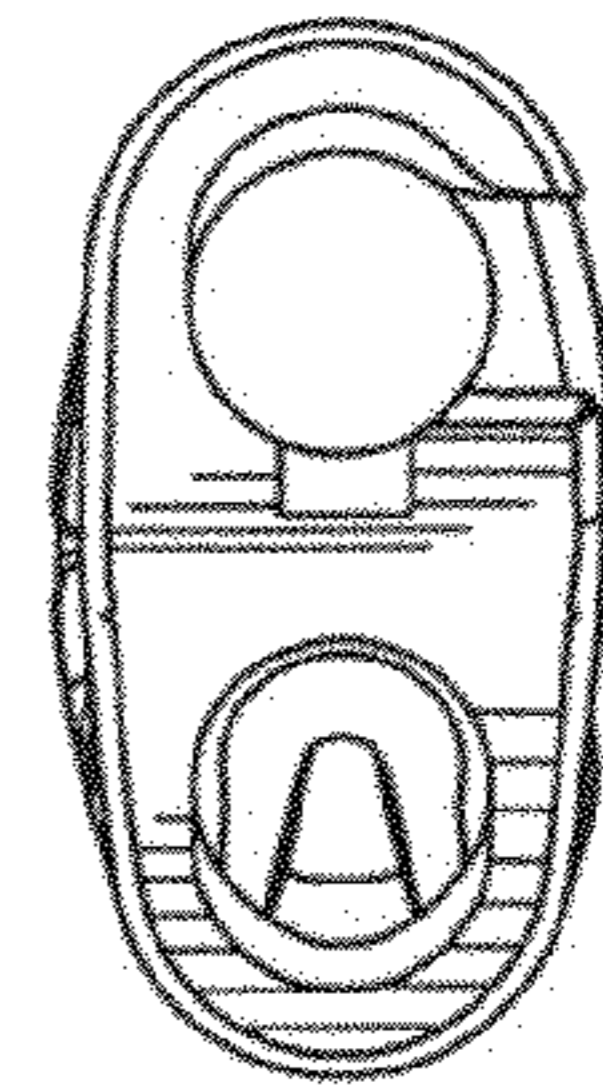


Fig. 4

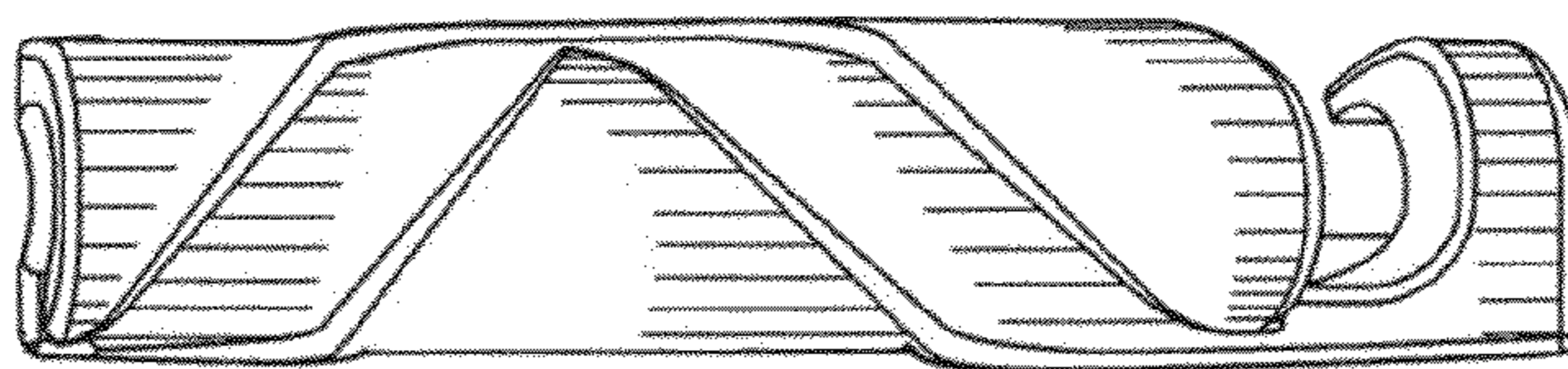


Fig. 5

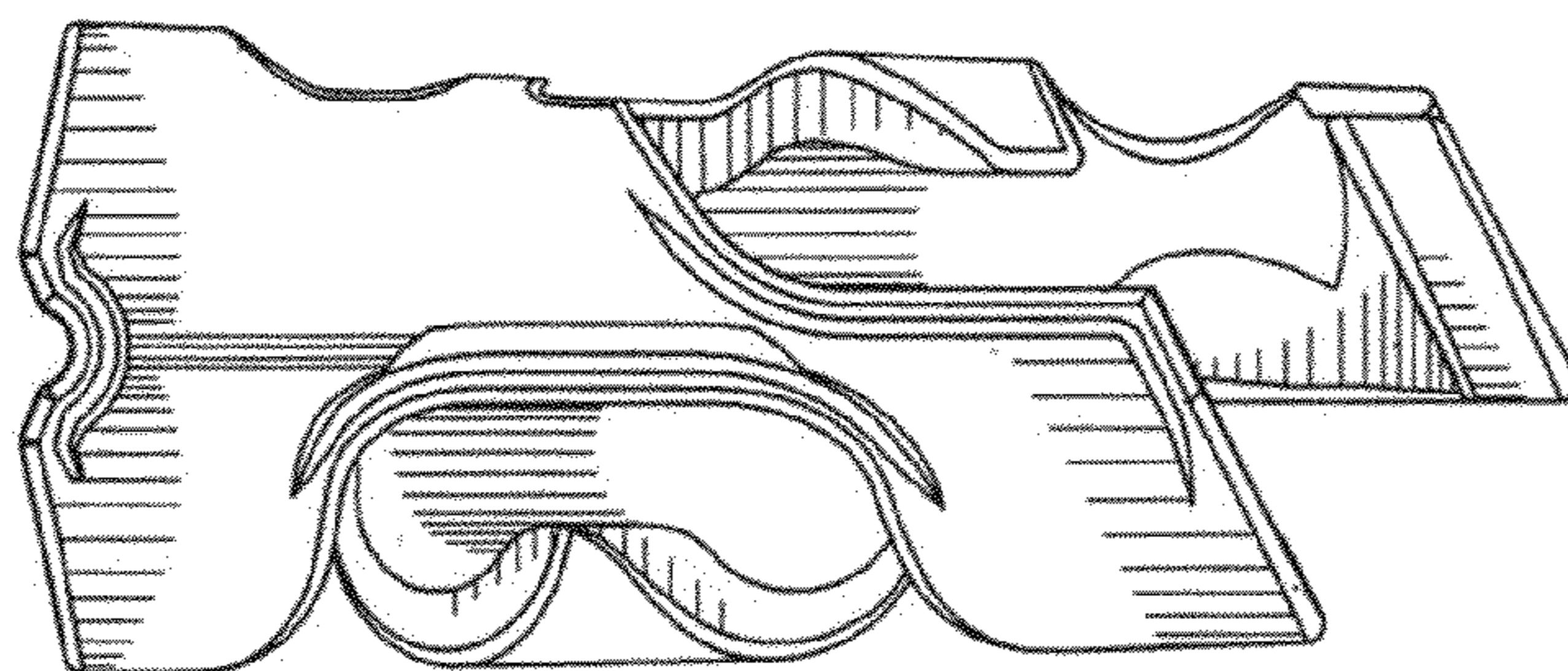


Fig. 6

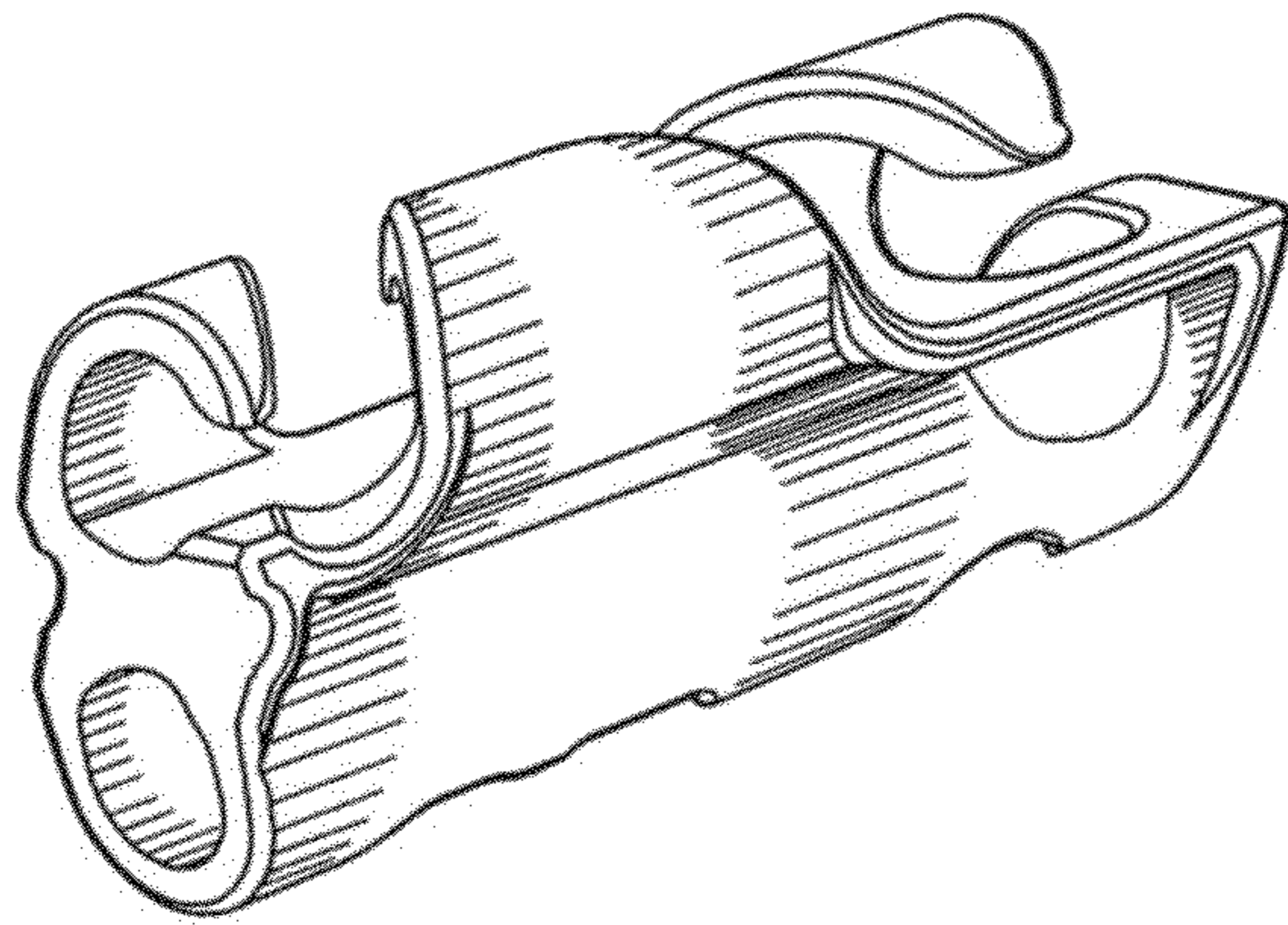


Fig. 7

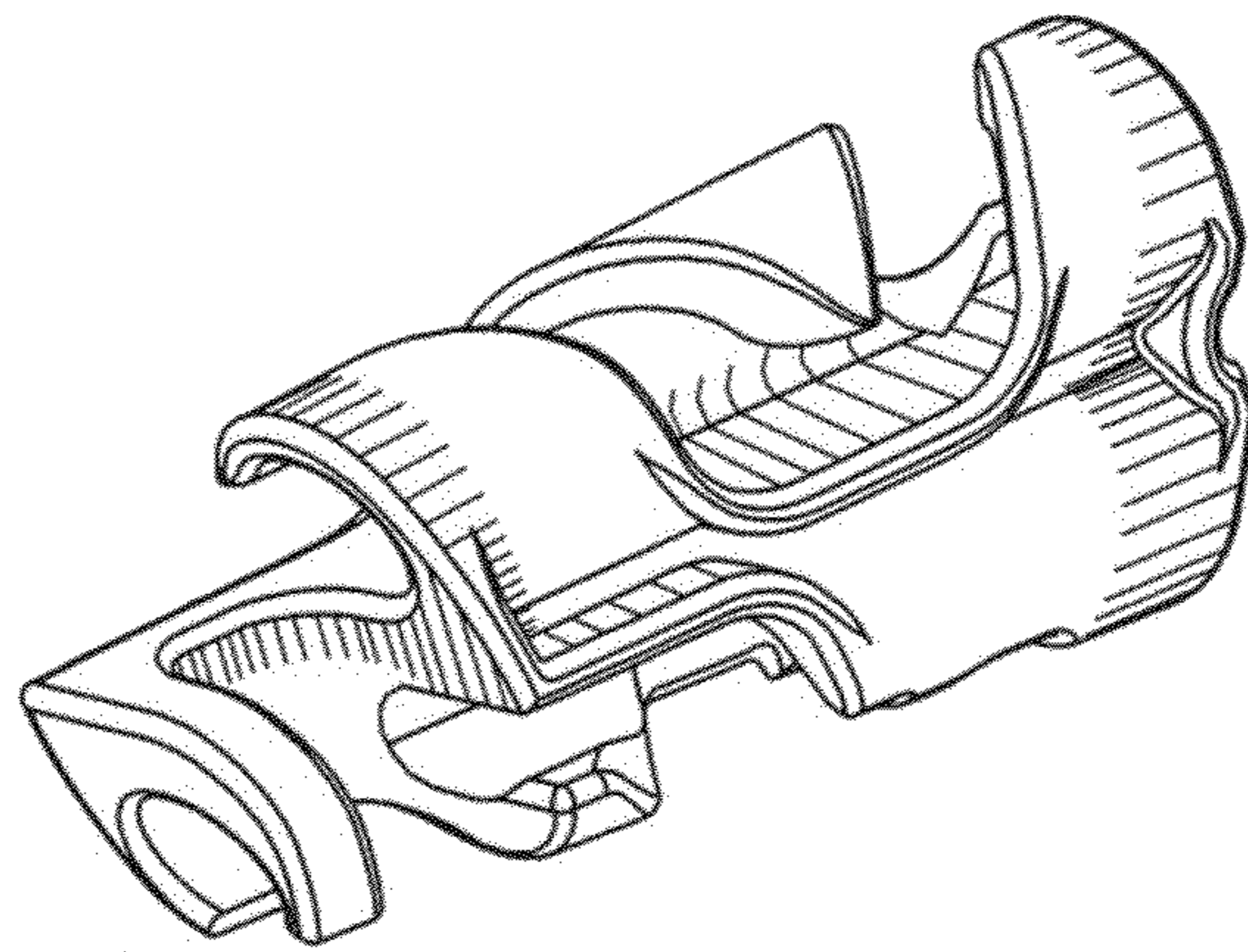


Fig. 8

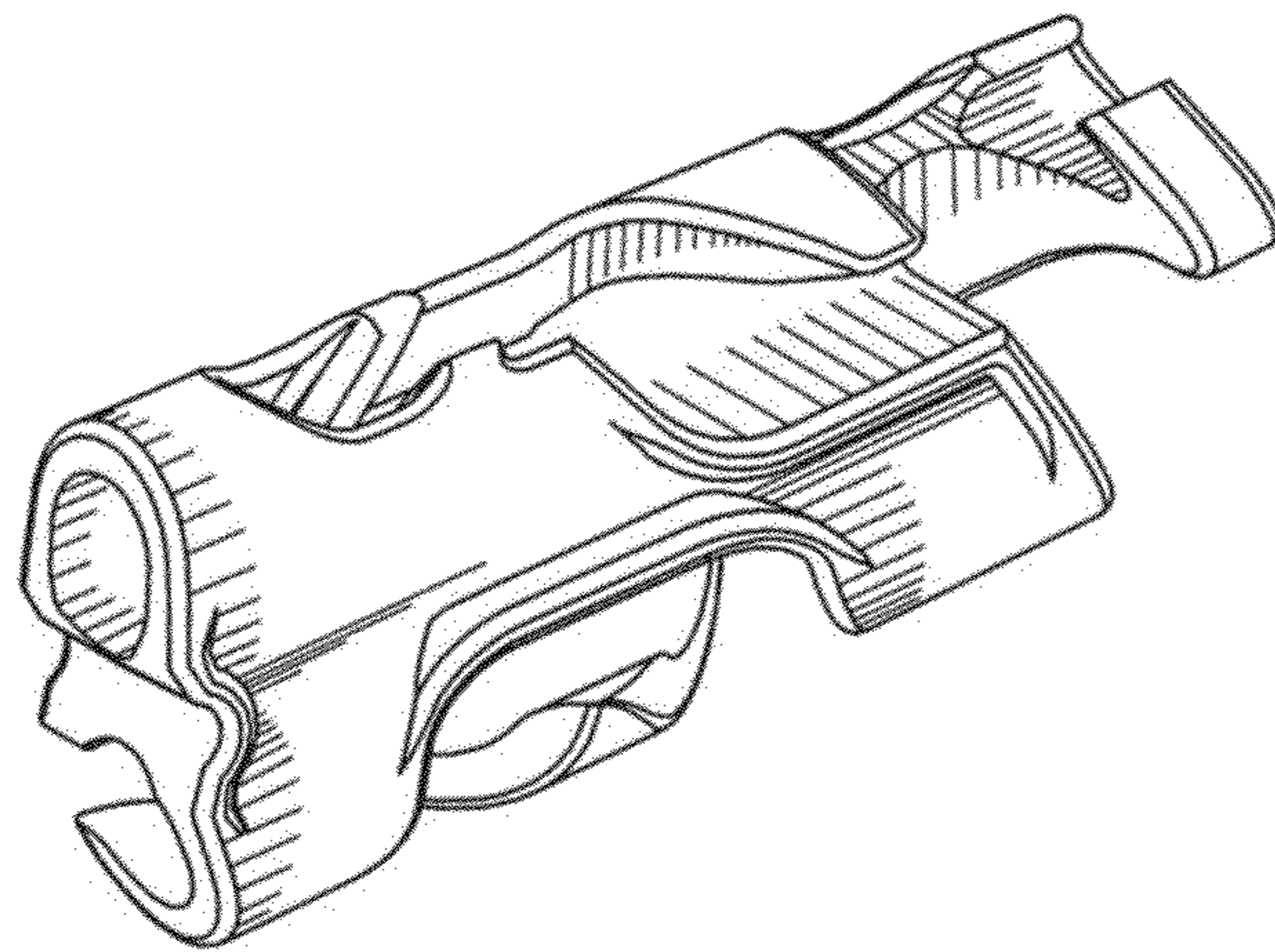


Fig. 9

UNITED STATES PATENT AND TRADEMARK OFFICE
CERTIFICATE OF CORRECTION

PATENT NO. : D755,039 S
APPLICATION NO. : 29/478791
DATED : May 3, 2016
INVENTOR(S) : Anders Jansson

Page 1 of 1

It is certified that error appears in the above-identified patent and that said Letters Patent is hereby corrected as shown below:

Title Page, item (30), should be inserted --EP2370221 Filed: 2013-12-16--

Signed and Sealed this
Twenty-eighth Day of June, 2016



Michelle K. Lee
Director of the United States Patent and Trademark Office