



US00D755036S

(12) **United States Design Patent**  
**Lu et al.**

(10) **Patent No.:** **US D755,036 S**  
(45) **Date of Patent:** **\*\* May 3, 2016**

(54) **LOCK ESCUTCHEON**

(71) Applicant: **TAIWAN FU HSING INDUSTRIAL CO., LTD.**, Kaohsiung (TW)

(72) Inventors: **Shih-Min Lu**, Kaohsiung (TW);  
**Fu-Chih Huang**, Kaohsiung (TW)

(73) Assignee: **TAIWAN FU HSING INDUSTRIAL CO., LTD.**, Kaohsiung (TW)

(\*\*) Term: **14 Years**

(21) Appl. No.: **29/522,420**

(22) Filed: **Mar. 31, 2015**

(30) **Foreign Application Priority Data**

Feb. 17, 2015 (TW) ..... 104300933

(51) **LOC (10) Cl.** ..... **08-07**

(52) **U.S. Cl.**  
USPC ..... **D8/331**

(58) **Field of Classification Search**  
USPC ..... D8/330, 331, 334, 300, 301, 302, 350;  
70/14, 20-22, 57, 57.1, 284-286, 314,  
70/DIG. 44  
CPC ..... E05B 1/00; E05B 3/00; E05B 47/00;  
E05B 49/00  
See application file for complete search history.

(56) **References Cited**

**U.S. PATENT DOCUMENTS**

D362,380 S \* 9/1995 Ellis ..... D8/301  
7,091,429 B2 \* 8/2006 Case ..... E05B 15/02  
200/314

D553,953 S \* 10/2007 Roberts ..... D8/330  
D637,472 S \* 5/2011 Singtoroj ..... D8/330  
7,984,631 B2 \* 7/2011 Case ..... E05B 15/02  
70/278.1  
7,990,280 B2 \* 8/2011 Gray ..... G08B 7/062  
340/540  
8,210,581 B2 \* 7/2012 Cramer ..... E05B 3/06  
292/348  
D682,656 S \* 5/2013 Cramer ..... D8/331  
D682,657 S \* 5/2013 Roberts, III ..... D8/331  
D699,096 S \* 2/2014 Chan ..... D8/331  
D729,610 S \* 5/2015 Gao ..... D8/331

\* cited by examiner

*Primary Examiner* — Prabhakar Deshmukh

(74) *Attorney, Agent, or Firm* — Jackson IPG PLLC;  
Demian K. Jackson

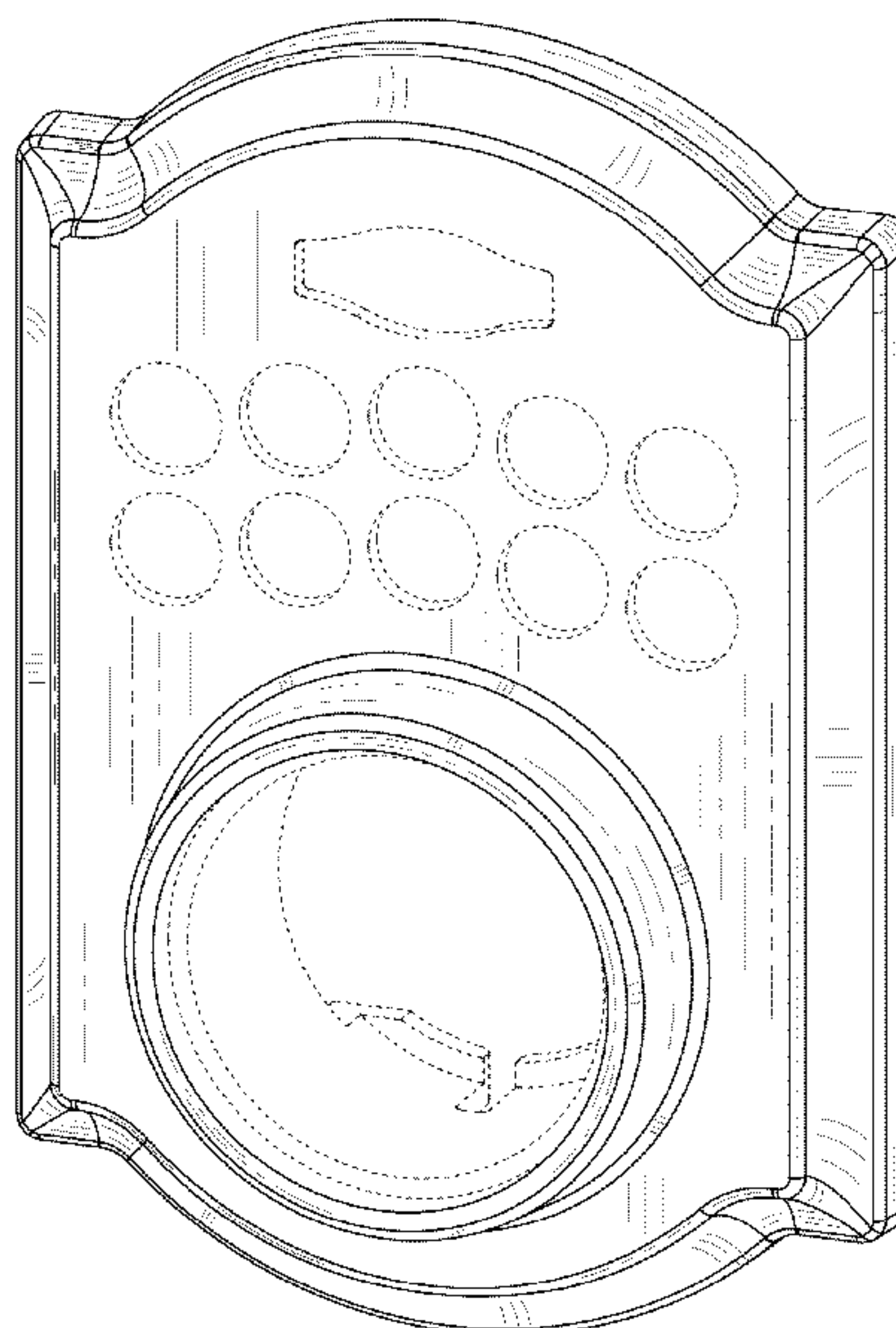
(57) **CLAIM**

The ornamental design for a lock escutcheon, as shown and described.

**DESCRIPTION**

FIG. 1 is a perspective view of a lock escutcheon showing our new design;  
FIG. 2 is a front elevational view thereof;  
FIG. 3 is a top plan view thereof;  
FIG. 4 is a right side elevational view thereof;  
FIG. 5 is a left side elevational view thereof;  
FIG. 6 is a rear elevational view thereof; and,  
FIG. 7 is a bottom plan view thereof.  
The broken lines shown in the drawings depict environmental subject matter only and form no part of the claimed design.

**1 Claim, 7 Drawing Sheets**



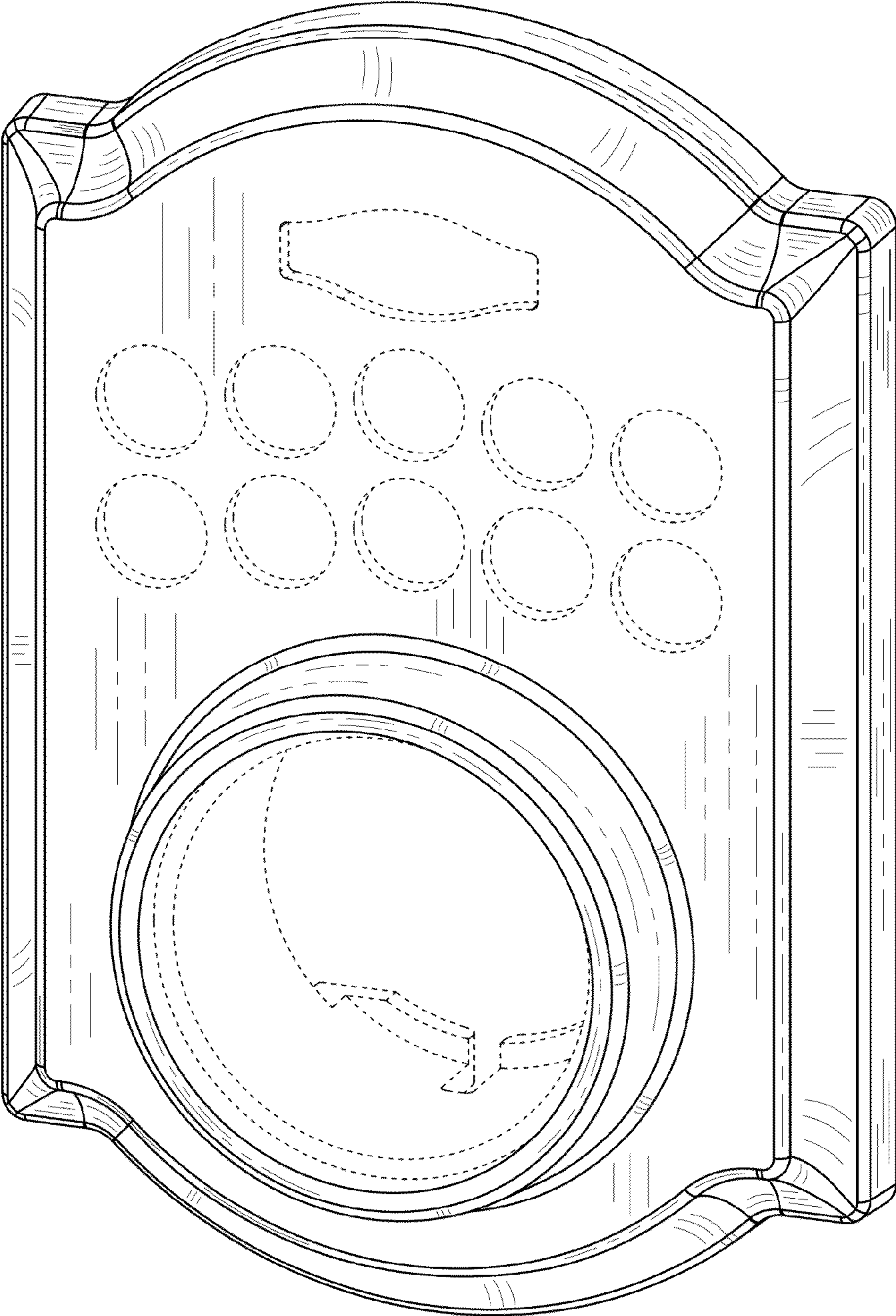


FIG. 1



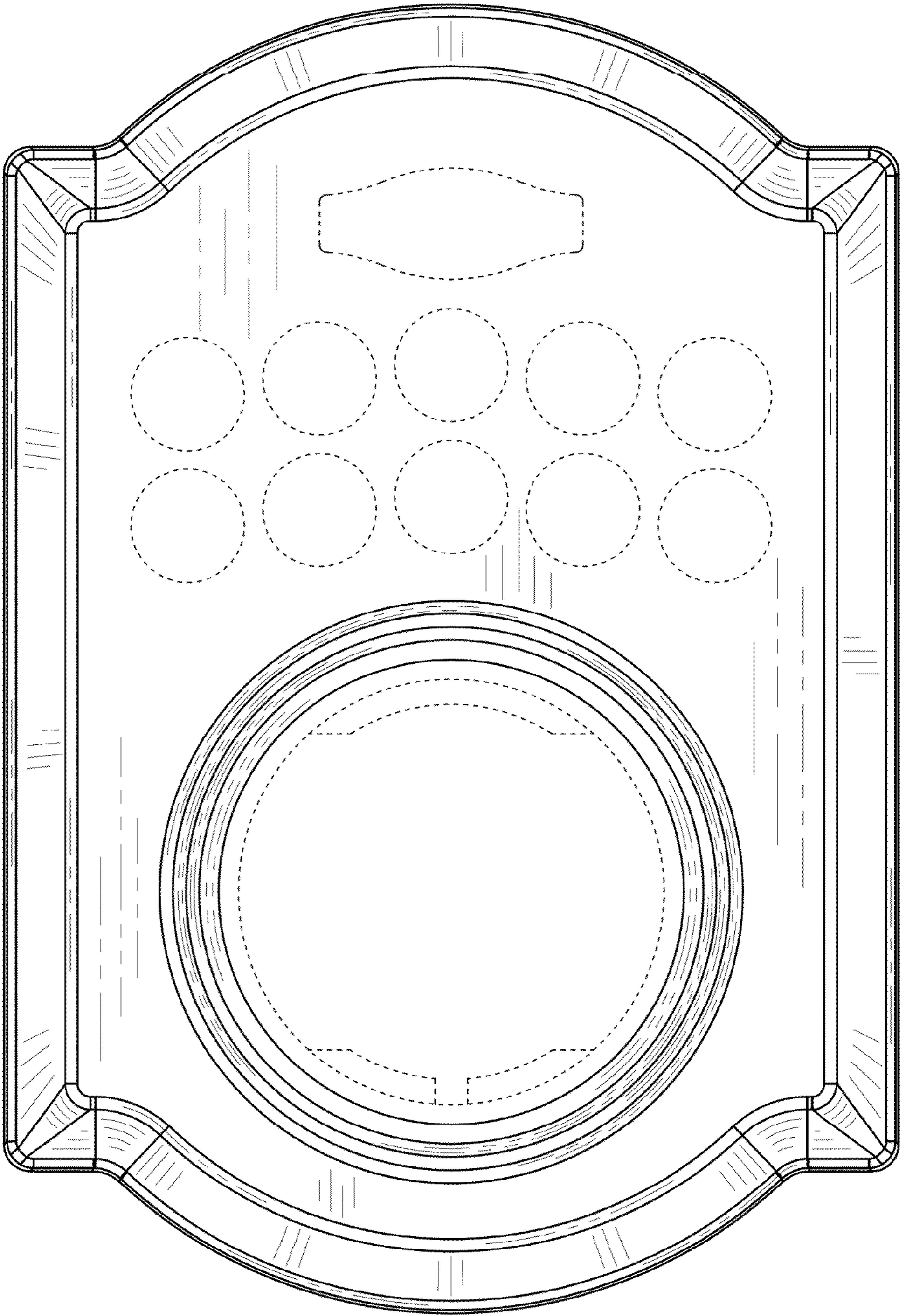


FIG. 2

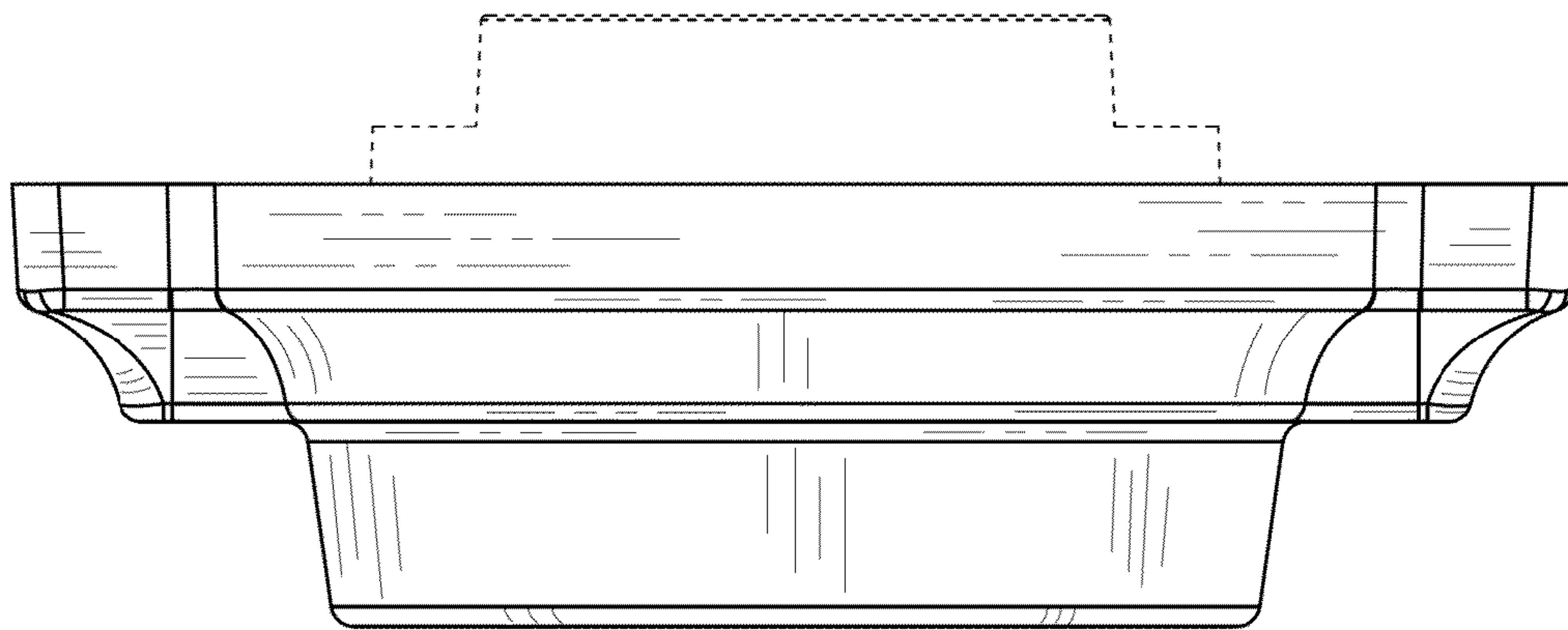


FIG. 3

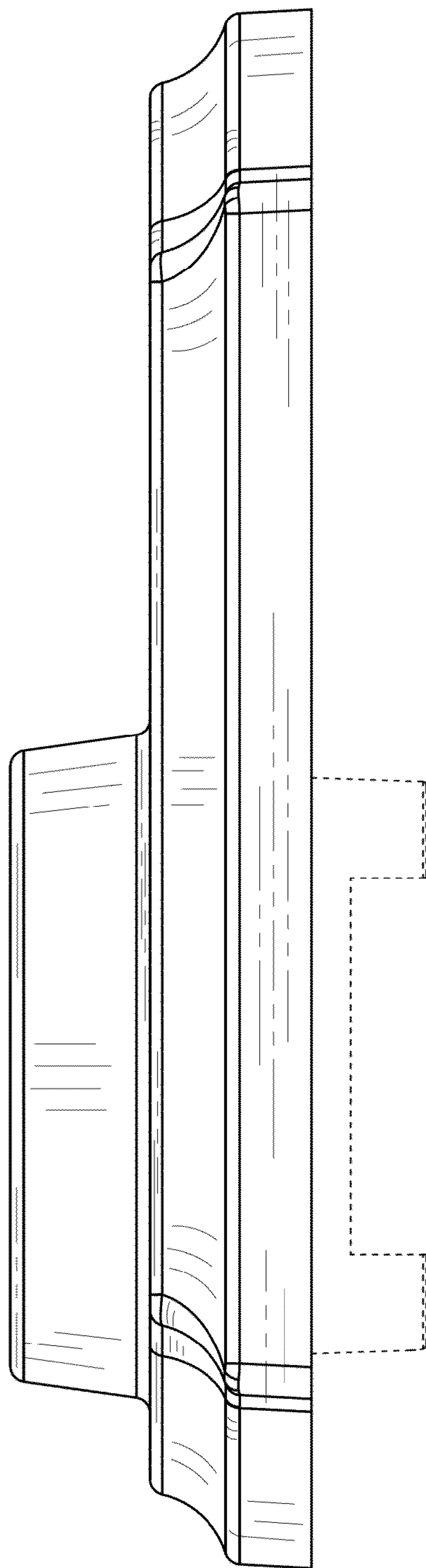


FIG. 4

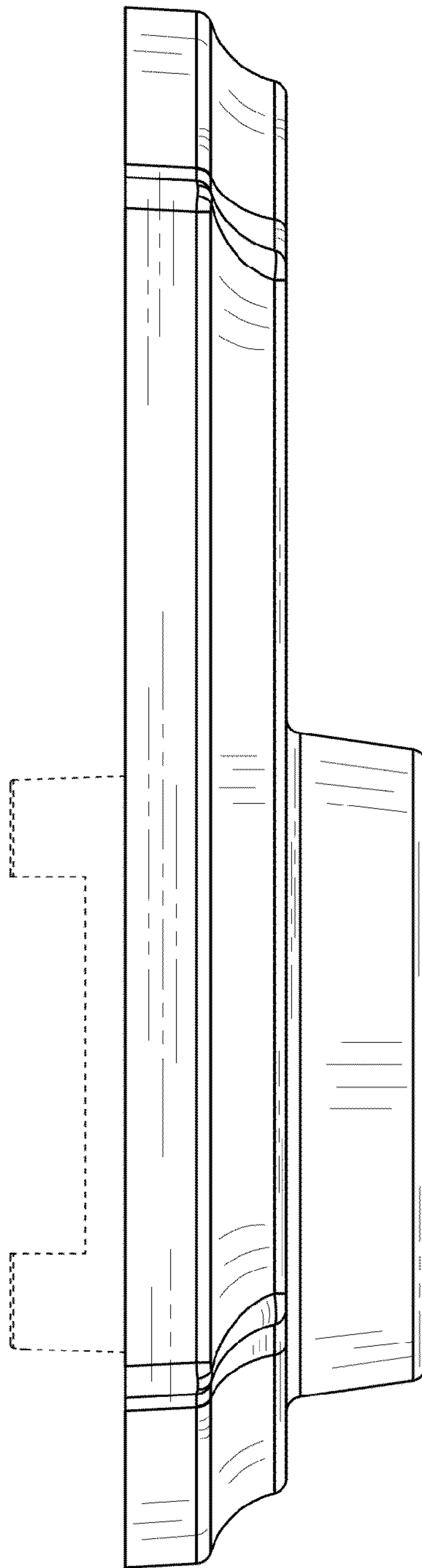


FIG. 5

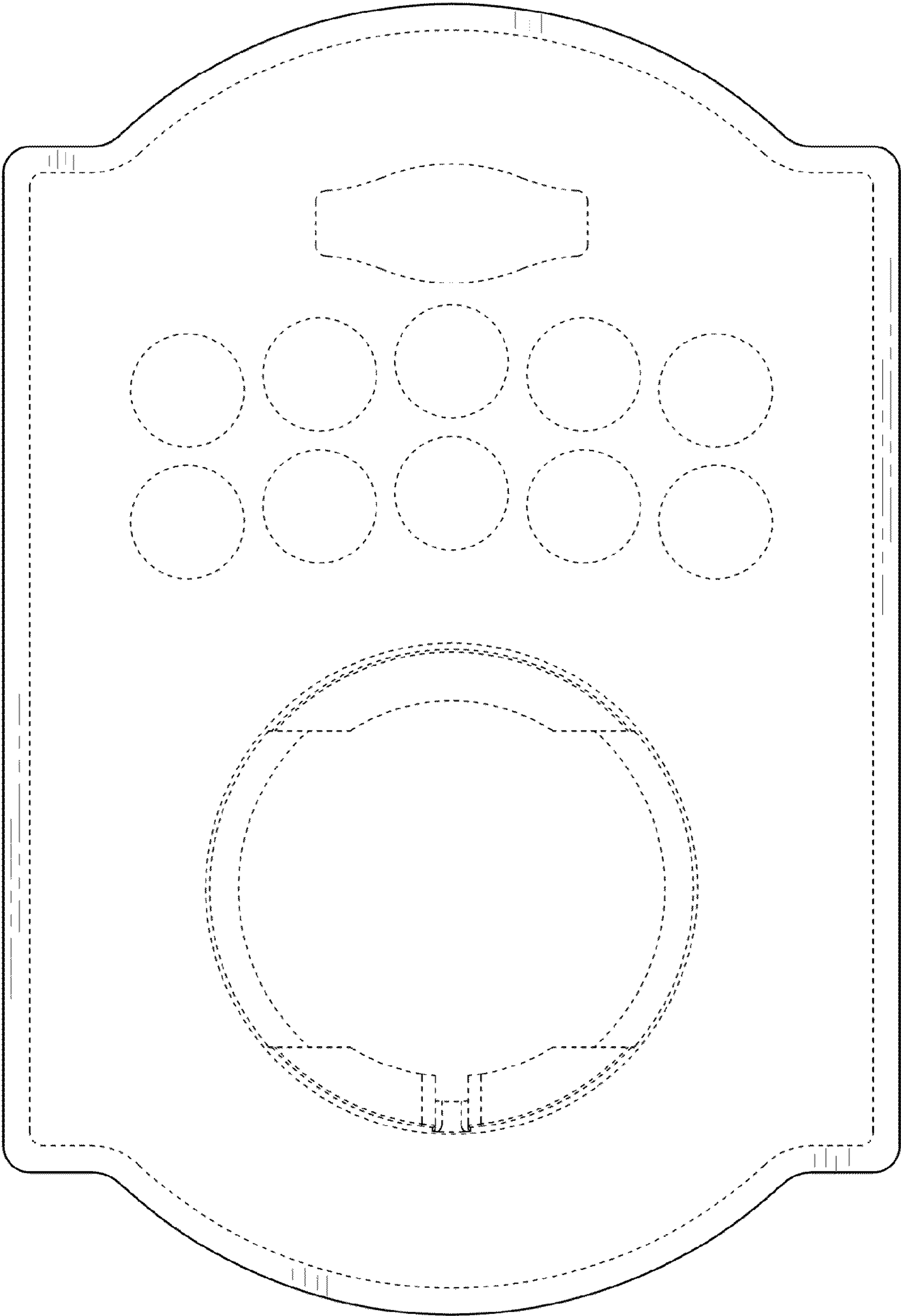


FIG. 6

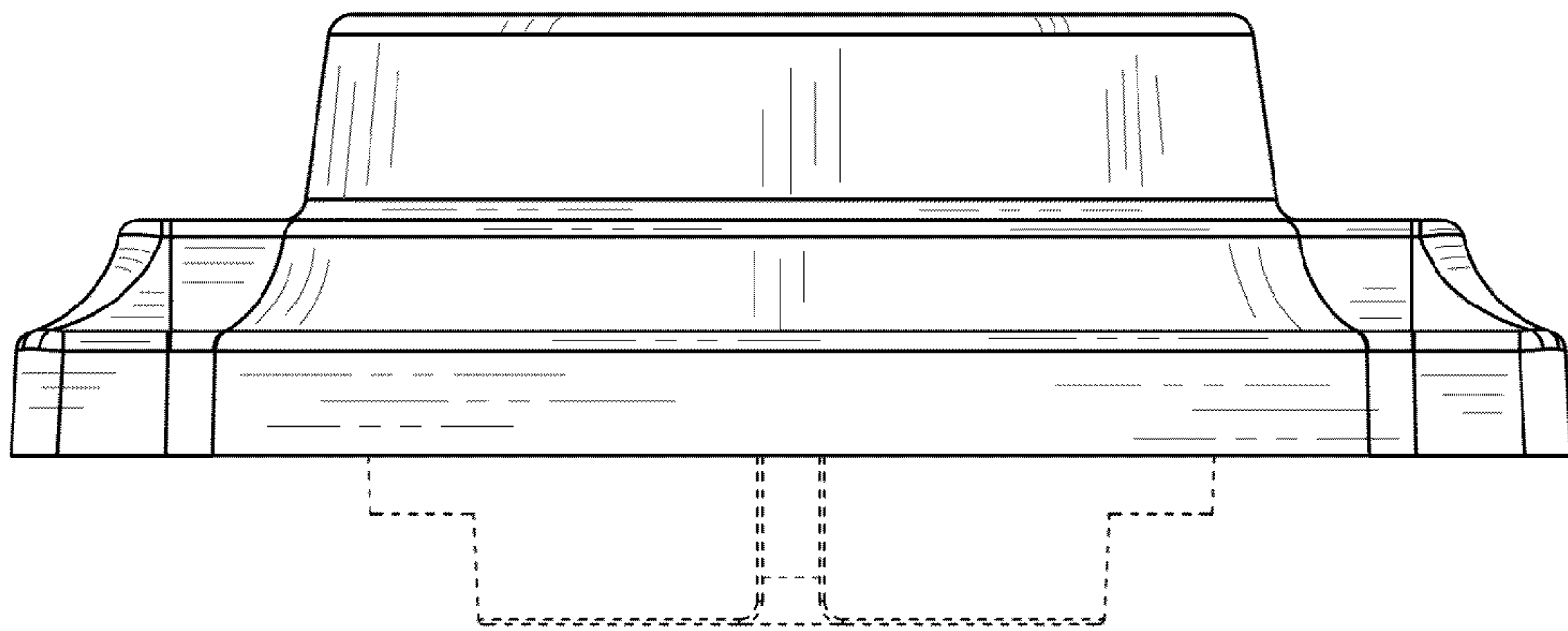


FIG. 7