



US00D755035S

(12) **United States Design Patent**
Bahler

(10) **Patent No.:** **US D755,035 S**

(45) **Date of Patent:** **** May 3, 2016**

(54) **DRAWER PULL**

E05B 55/005; E05B 1/00; E05B 85/107;
E05B 3/00

(71) Applicant: **Delta Faucet Company**, Indianapolis,
IN (US)

See application file for complete search history.

(72) Inventor: **Jordan Renee Bahler**, Frankfort, IN
(US)

(56) **References Cited**

(73) Assignee: **DELTA FAUCET COMPANY**,
Indianapolis, IN (US)

U.S. PATENT DOCUMENTS

(**) Term: **14 Years**

D162,861 S *	4/1951	Morehouse	D6/581
D204,461 S *	4/1966	Voker et al.	D22/108
D235,617 S *	7/1975	Tegner	D8/307
D317,705 S *	6/1991	Tinz	D8/307
D432,633 S *	10/2000	Higgins	D23/250
D551,934 S *	10/2007	Krumpe	D8/307
D605,024 S *	12/2009	Cotton	D8/302
D718,111 S *	11/2014	Han	D8/307

(21) Appl. No.: **29/513,849**

(22) Filed: **Jan. 6, 2015**

* cited by examiner

(51) **LOC (10) Cl.** **08-06**

Primary Examiner — Derrick Holland

(52) **U.S. Cl.**
USPC **D8/307**

Assistant Examiner — Lauren Calve

(74) *Attorney, Agent, or Firm* — Edgar A. Zarins; Nirav D. Parikh

(58) **Field of Classification Search**
USPC D8/300, 305, 307, 310, 311, 312;
D7/393; D23/250, 254; 16/110.1, 413,
16/414, 415, 417, 422, 441, DIG. 30;
292/336.3, 347

CPC ... Y10T 292/57; Y10T 292/82; Y10T 16/469;
Y10T 16/44; Y10T 16/506; Y10T 292/85;
Y10T 16/458; Y10T 74/2084; Y10T 16/46;
Y10T 16/459; Y10T 74/20732; Y10T 292/03;
Y10T 16/4713; Y10T 16/466; Y10T 292/88;
Y10T 29/49599; Y10T 16/487; Y10T 16/462;
Y10T 16/4636; Y10T 74/20864; Y10T
70/5155; Y10T 16/4559; Y10T 292/0951;
Y10T 292/0891; Y10T 292/0934; Y10T
292/0968; E05B 1/0007; E05B 1/0015;
E05B 79/06; E05B 85/10; E05B 1/0053;

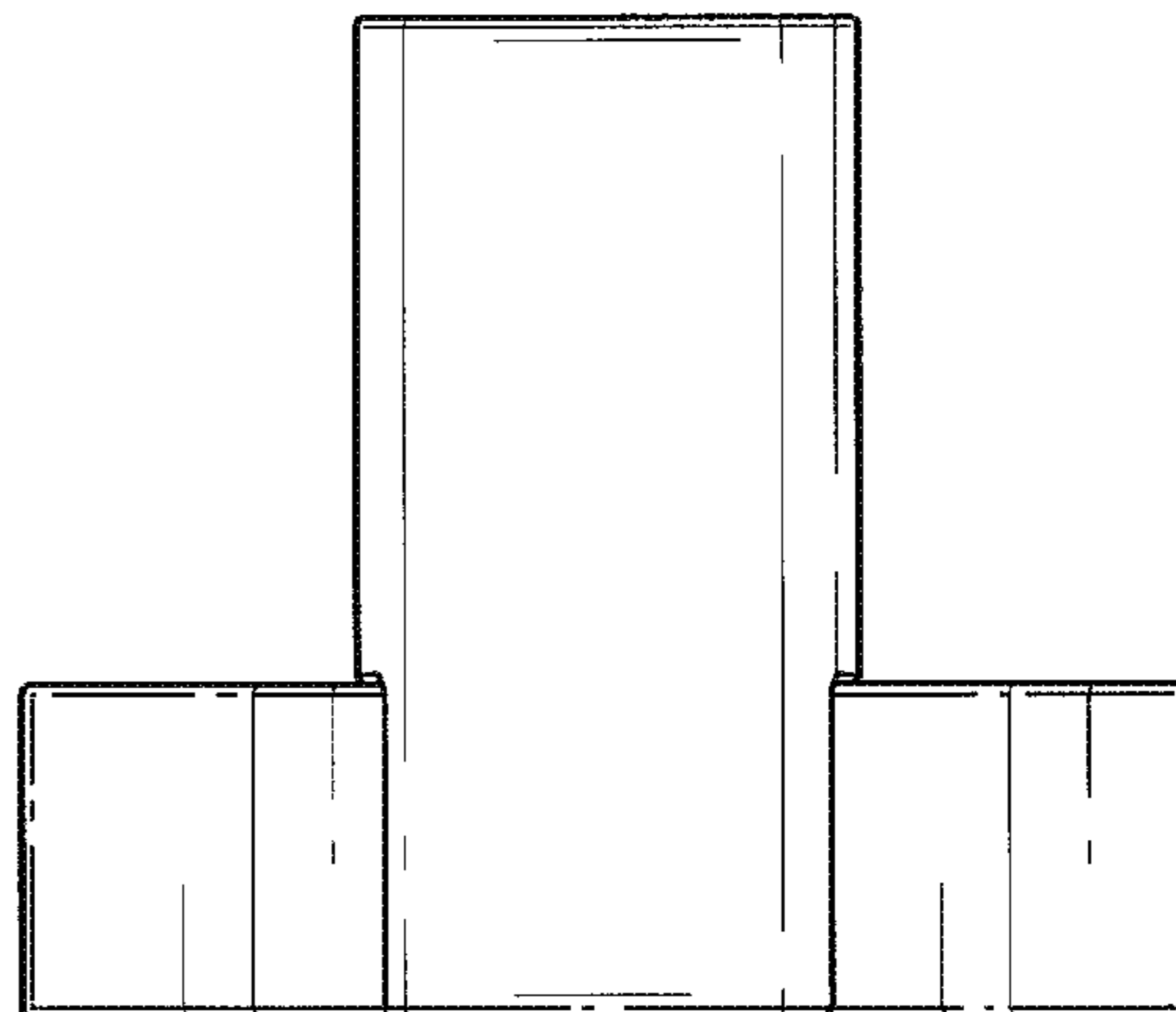
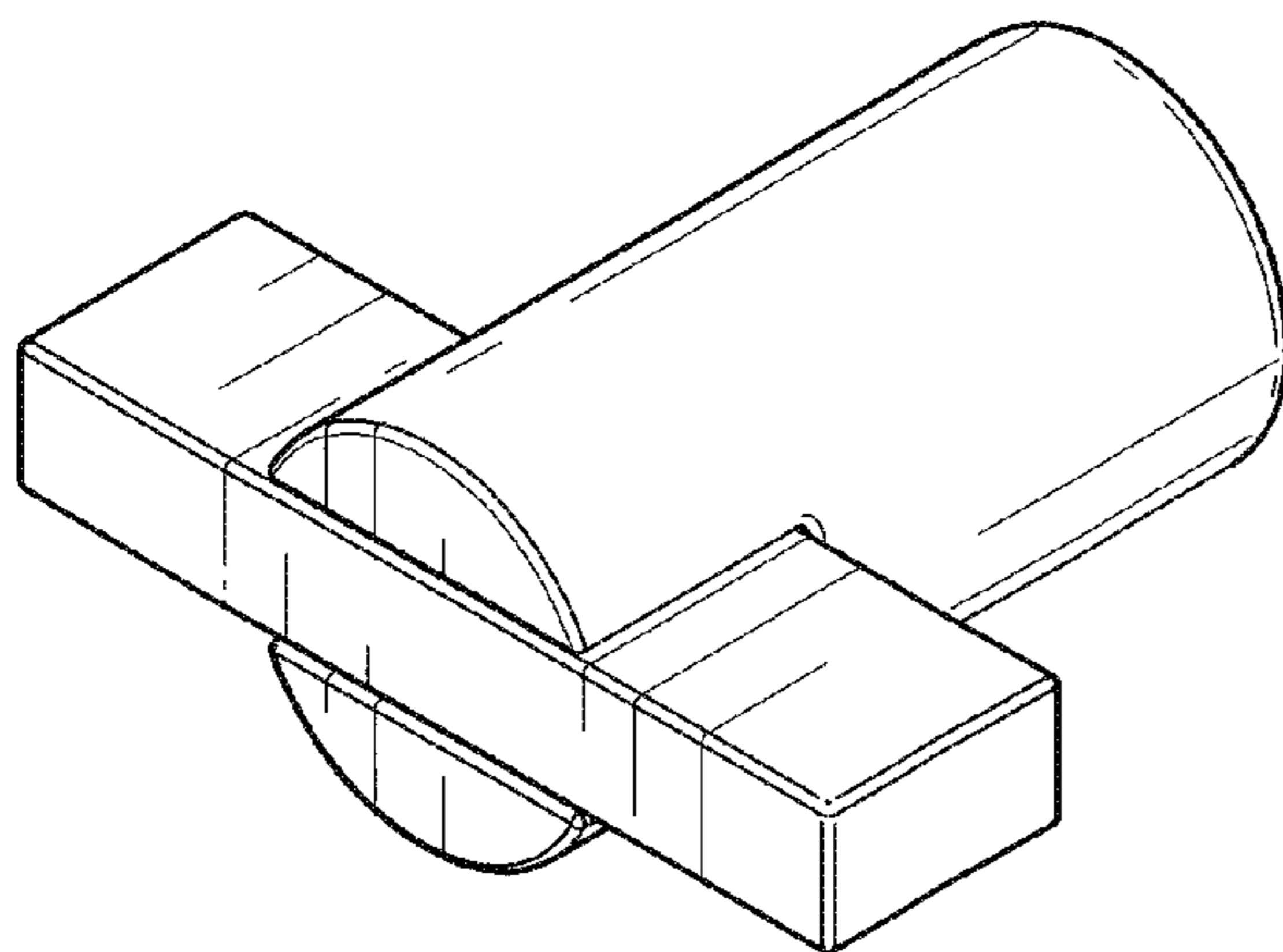
(57) **CLAIM**

The ornamental design for a drawer pull, as shown and described.

DESCRIPTION

FIG. 1 is a perspective view of a drawer pull showing my new design;
FIG. 2 is a front view thereof;
FIG. 3 is a rear view thereof;
FIG. 4 is a first end view thereof, the opposite end being a mirror image of the end shown; and,
FIG. 5 is a first side view thereof, the opposite side being a mirror image of the side shown.

1 Claim, 1 Drawing Sheet



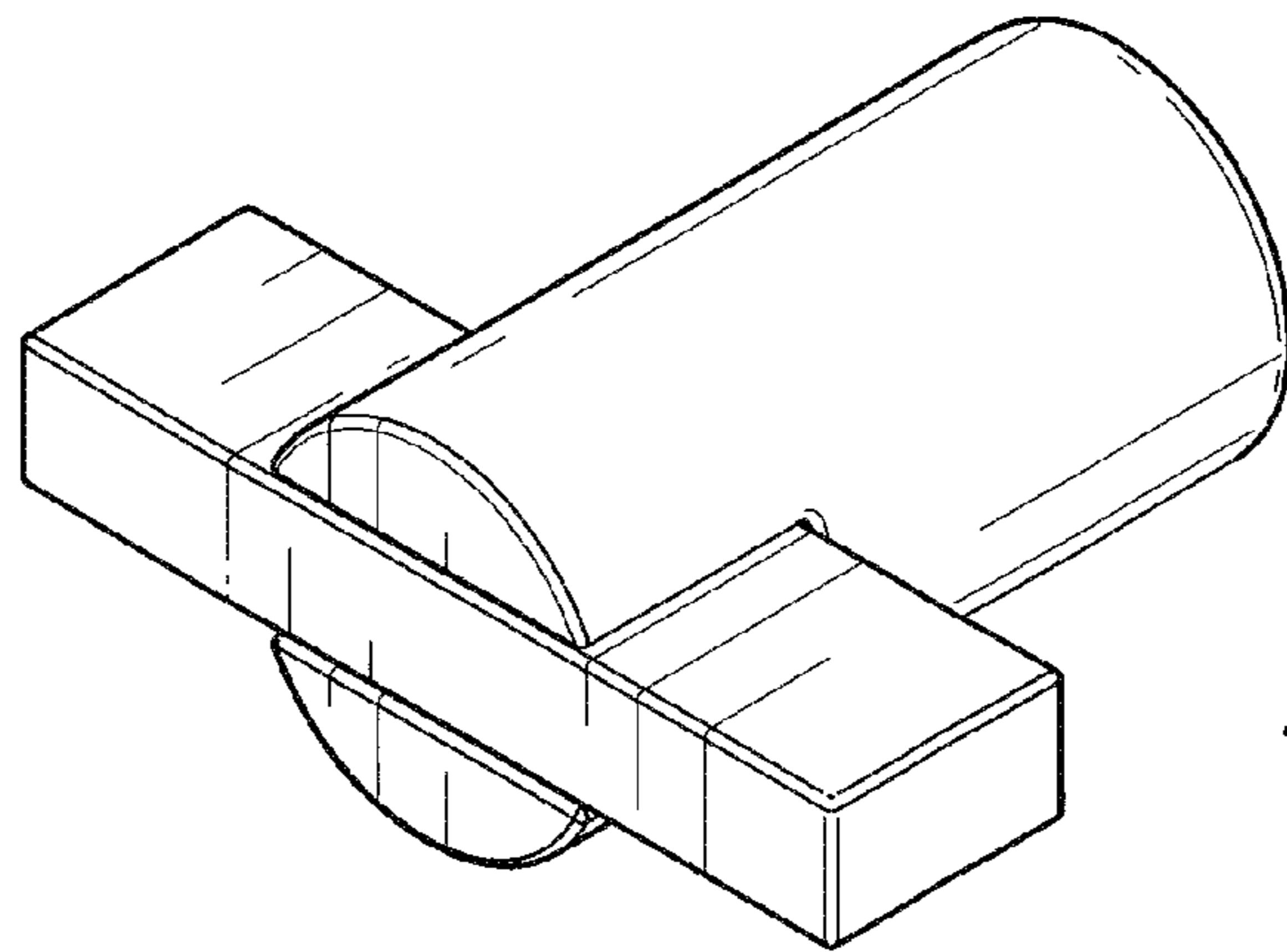


Fig-1

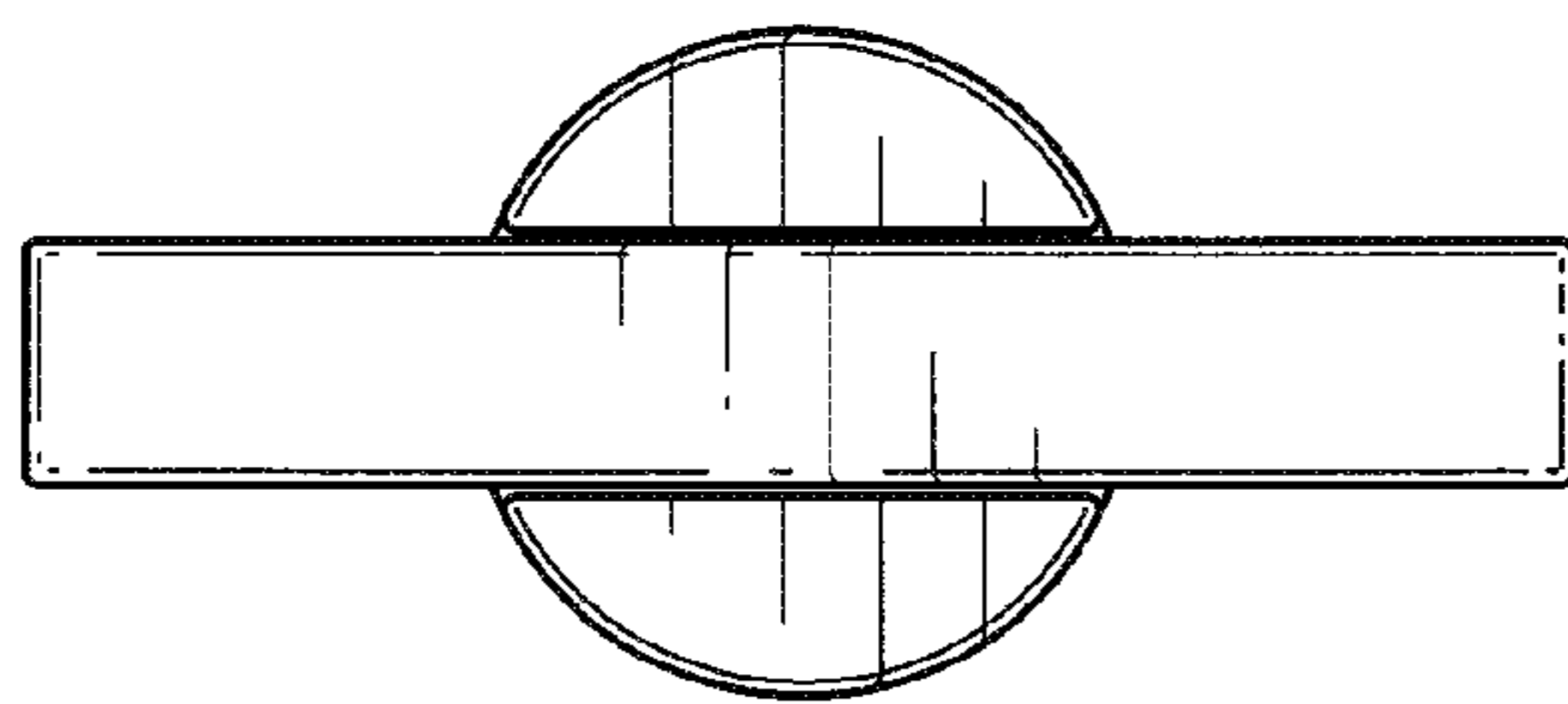


Fig-2

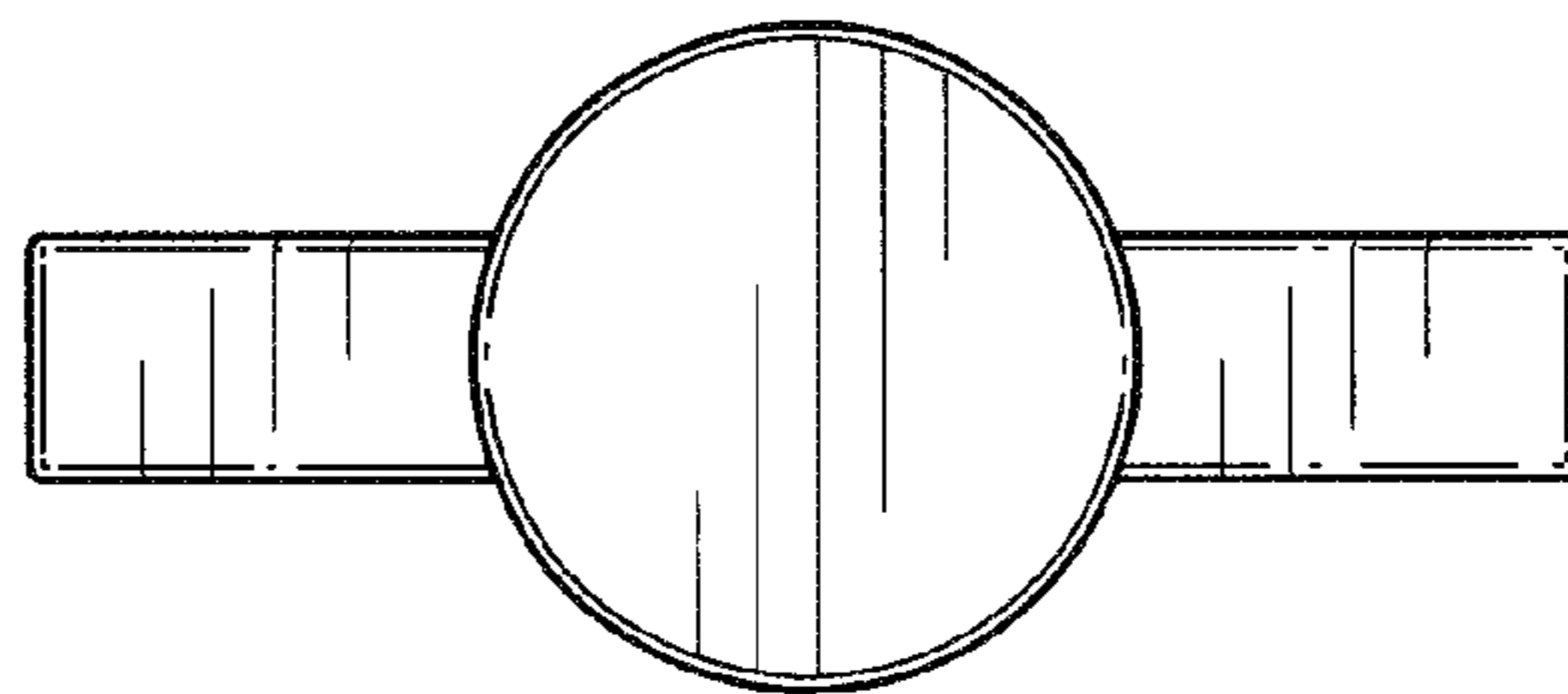


Fig-3

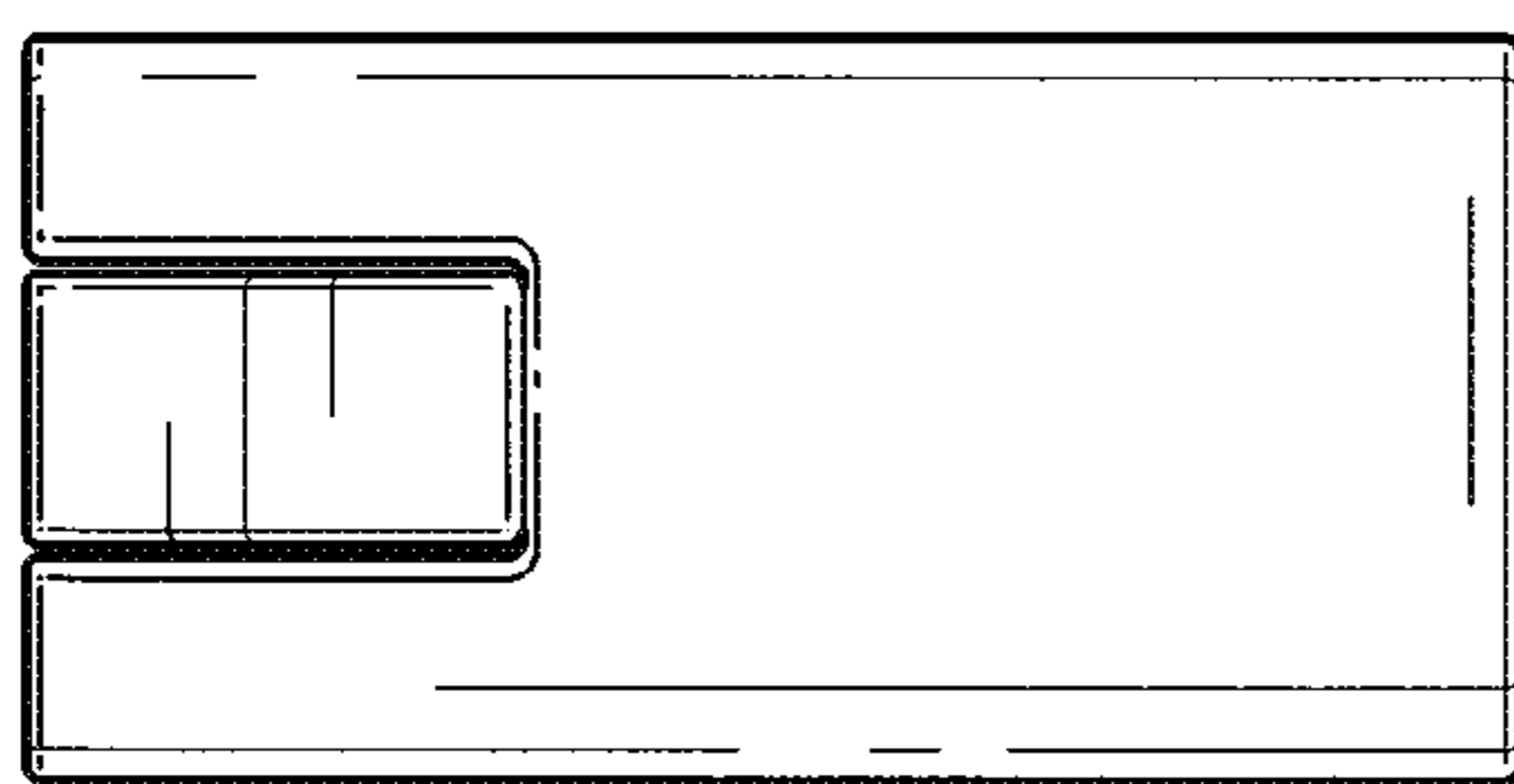


Fig-4

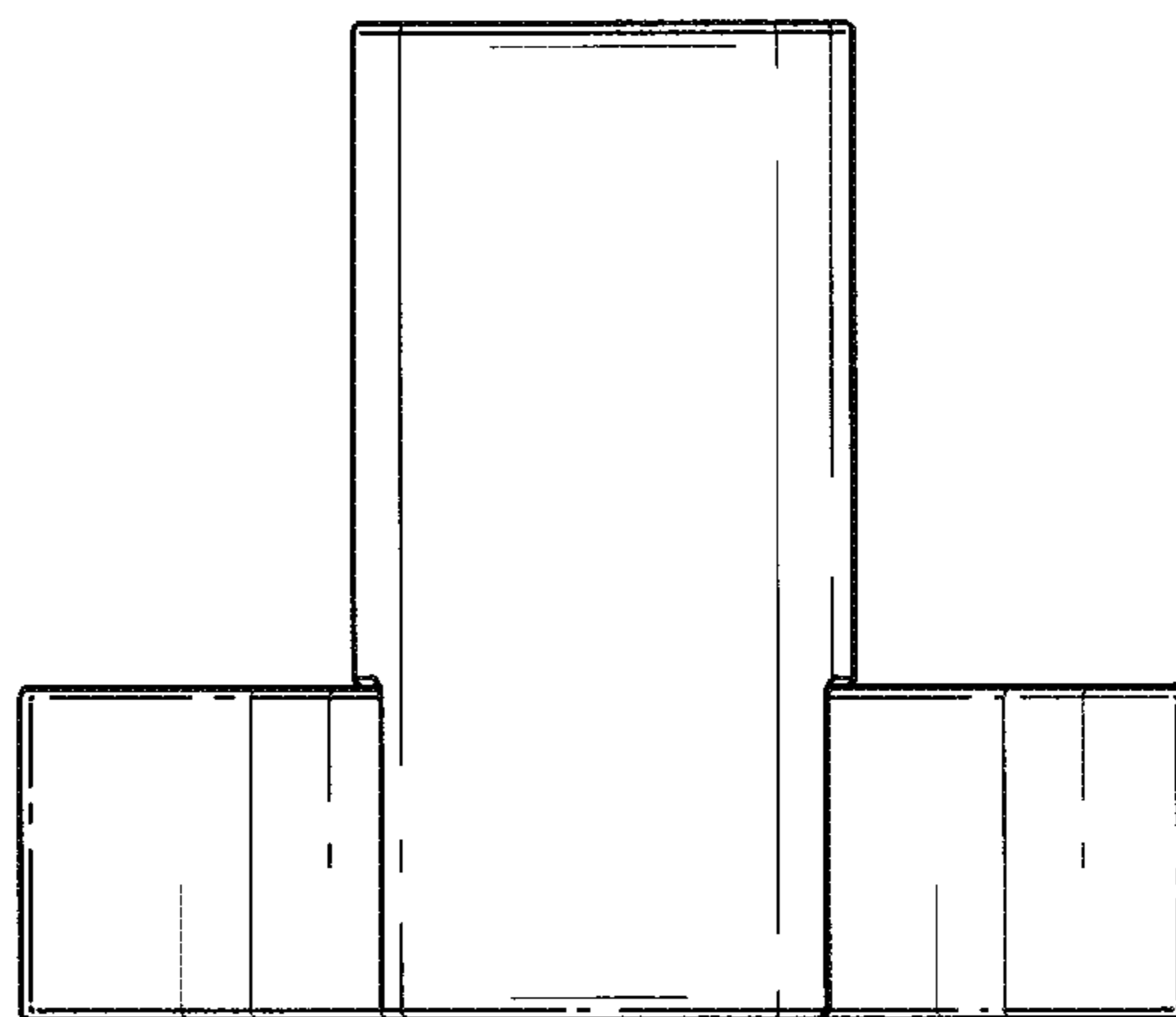


Fig-5