



US00D755033S

(12) **United States Design Patent**
Zhou

(10) **Patent No.:** **US D755,033 S**

(45) **Date of Patent:** **** May 3, 2016**

(54) **CHAIN SAW**

(71) Applicant: **CHERVON INTELLECTUAL
PROPERTY LIMITED**, Road Town
(VG)

(72) Inventor: **Haibo Zhou**, Nanjing (CN)

(73) Assignee: **Chevron Intellectual Property
Limited**, Road Town (VG)

(**) Term: **14 Years**

(21) Appl. No.: **29/511,394**

(22) Filed: **Dec. 10, 2014**

(30) **Foreign Application Priority Data**

Jun. 17, 2014 (CN) 2014 3 0185218

(51) **LOC (10) Cl.** **08-03**

(52) **U.S. Cl.**
USPC **D8/65**

(58) **Field of Classification Search**

USPC D8/65, 7, 8, 9, 70, 66, 67, 62, 63, 64,
D8/61, 91; 30/386, 383, 382, 371, 123,
30/381; 125/21; D21/532; 83/832, 833,
83/834; 123/185.3

CPC B23D 57/02; B23D 57/023; B23D 59/007;
B27B 33/02; B27B 33/14; B27B 33/145;
B27B 1/002; F02N 3/02

See application file for complete search history.

(56) **References Cited**

U.S. PATENT DOCUMENTS

D663,182 S * 7/2012 Schoening D8/65
D663,599 S * 7/2012 Tinius D8/65

D690,570 S * 10/2013 Tinius D8/65
D707,094 S * 6/2014 Carl D8/65
D725,452 S * 3/2015 Carl D8/65
D729,027 S * 5/2015 Tinius D8/65
D731,868 S * 6/2015 Tinius D8/65
D737,646 S * 9/2015 Tinius D8/65
D738,175 S * 9/2015 Tinius D8/65
D741,678 S * 10/2015 Tinius D8/65
D744,308 S * 12/2015 Tinius D8/65

* cited by examiner

Primary Examiner — Austin Murphy

(74) *Attorney, Agent, or Firm* — Greenberg Traurig, LLP

(57) **CLAIM**

What is claimed is the ornamental design for a chain saw, as shown and described.

DESCRIPTION

FIG. 1 is a right side elevational view of a chain saw showing my new design;

FIG. 2 is a left side elevational view thereof;

FIG. 3 is a back side elevational view thereof;

FIG. 4 is front side elevational view thereof;

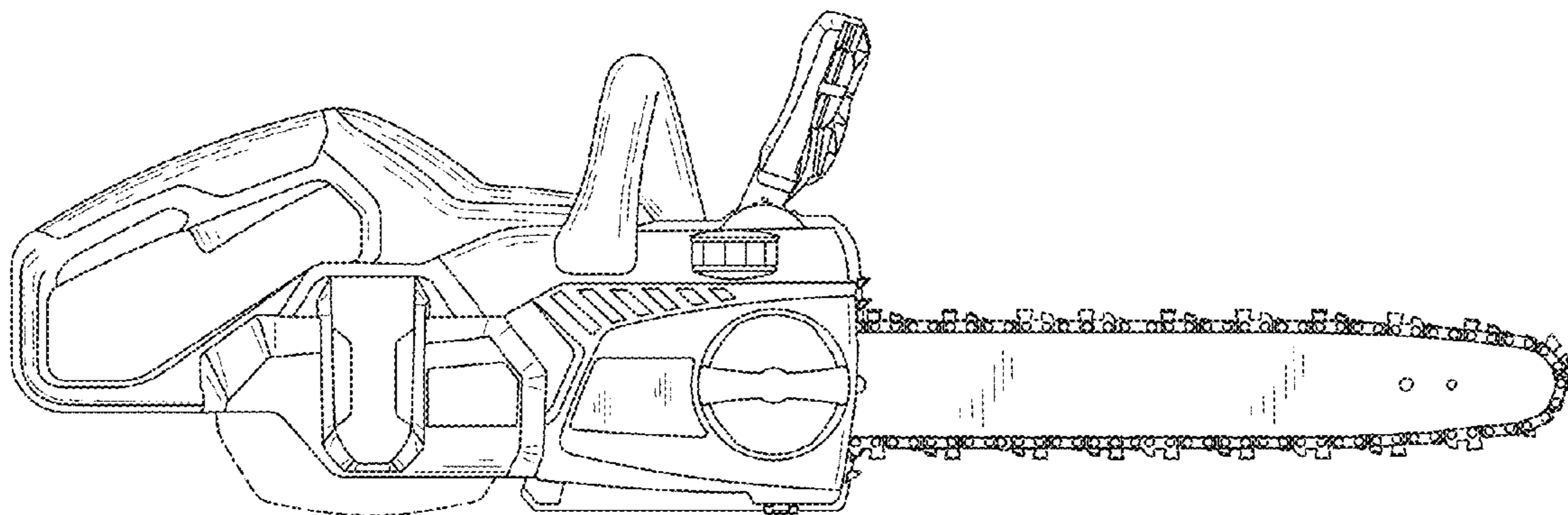
FIG. 5 is a top plan view thereof;

FIG. 6 is a bottom plan view thereof; and,

FIG. 7 is a perspective view thereof.

The broken lines in the drawings illustrate portions of the chain saw which form no part of the claimed design.

1 Claim, 6 Drawing Sheets



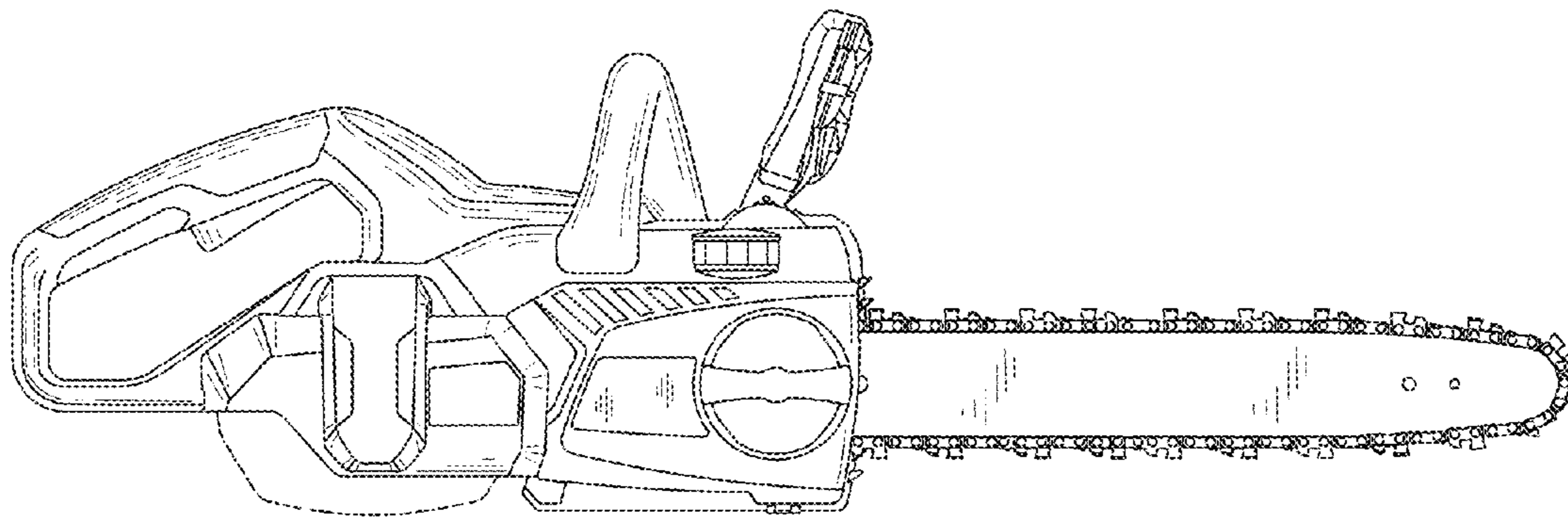


Fig. 1

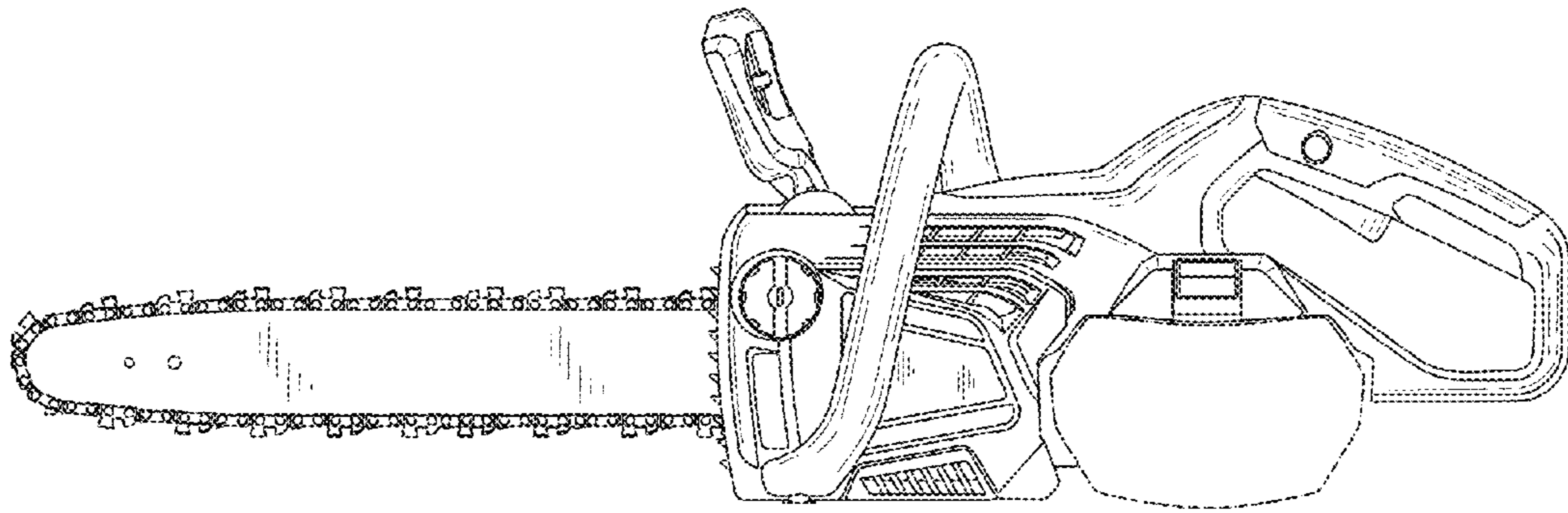


Fig. 2

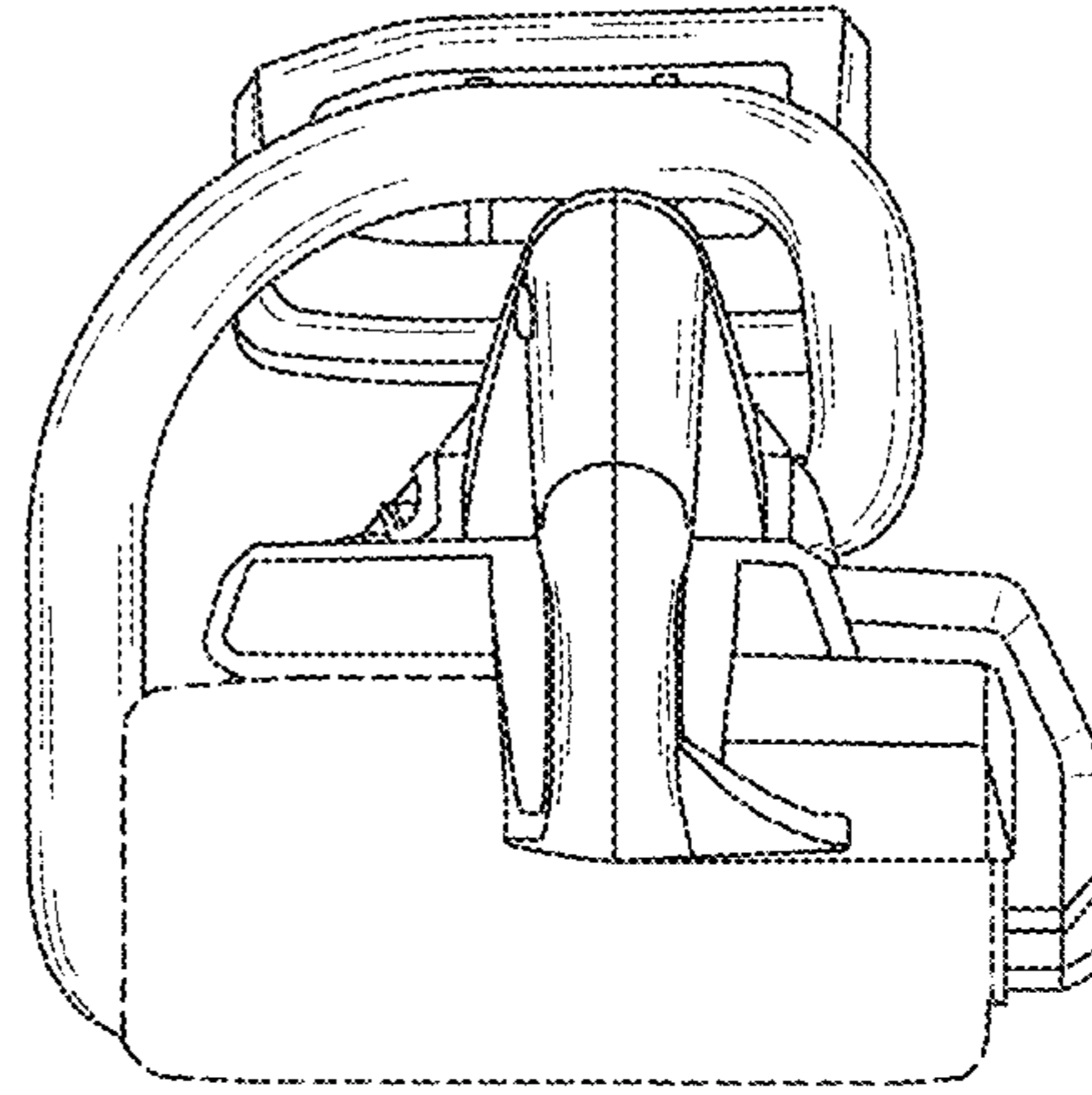


Fig. 3

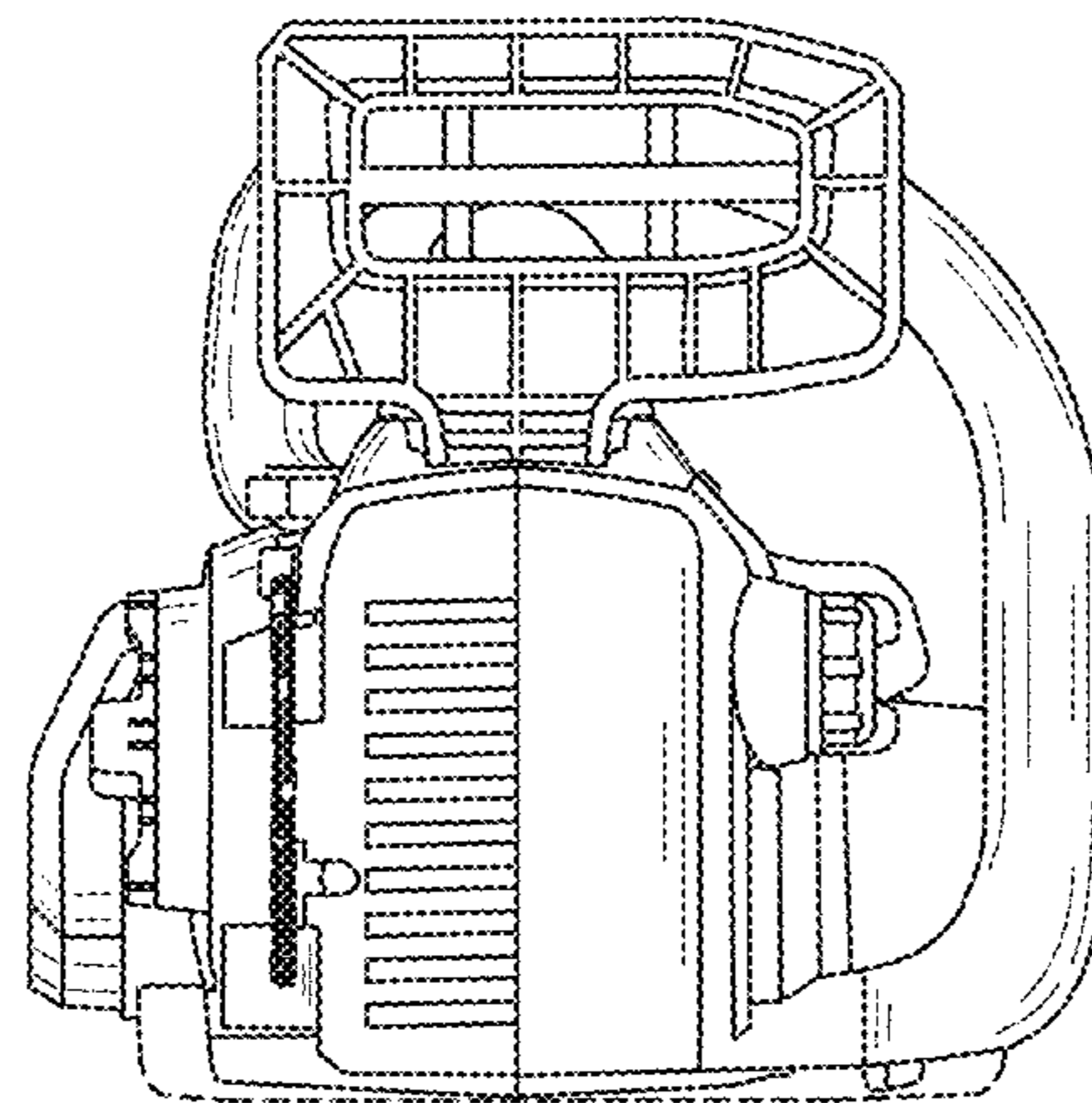


Fig. 4

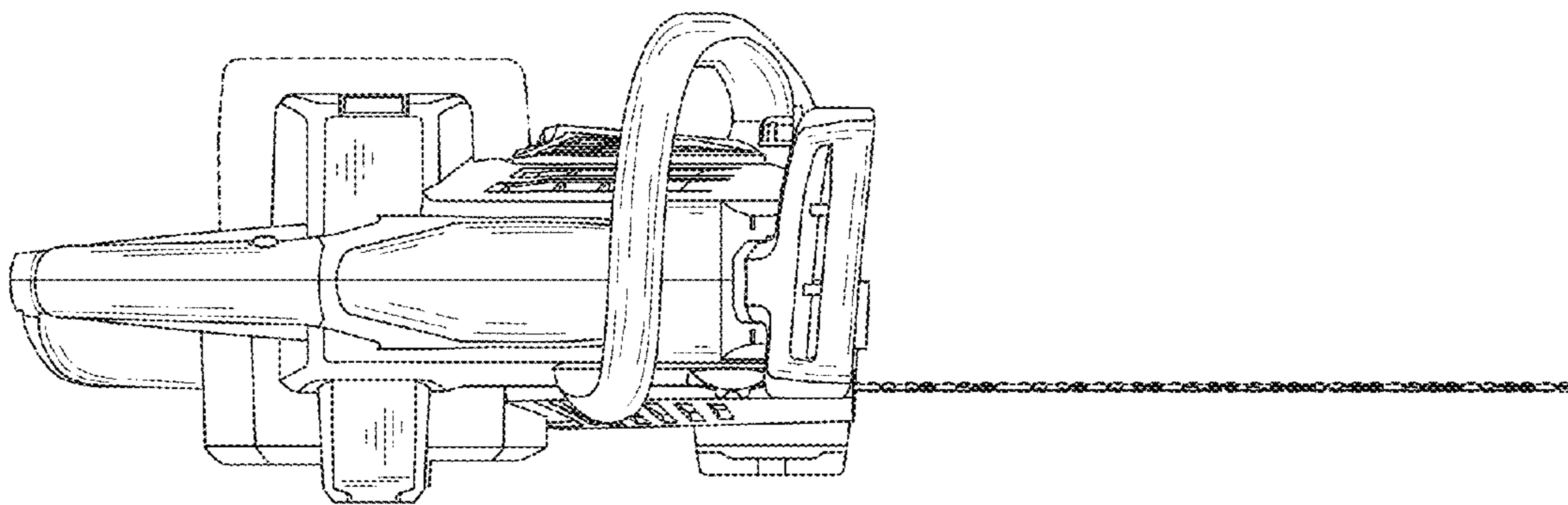


Fig. 5

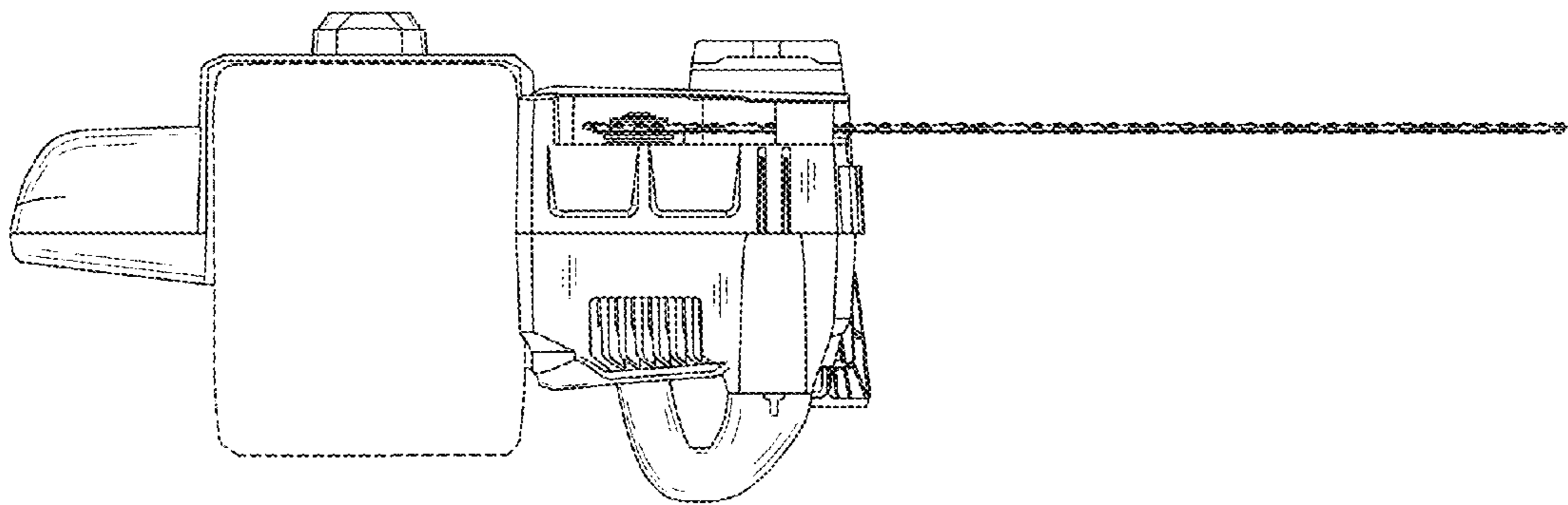


Fig. 6

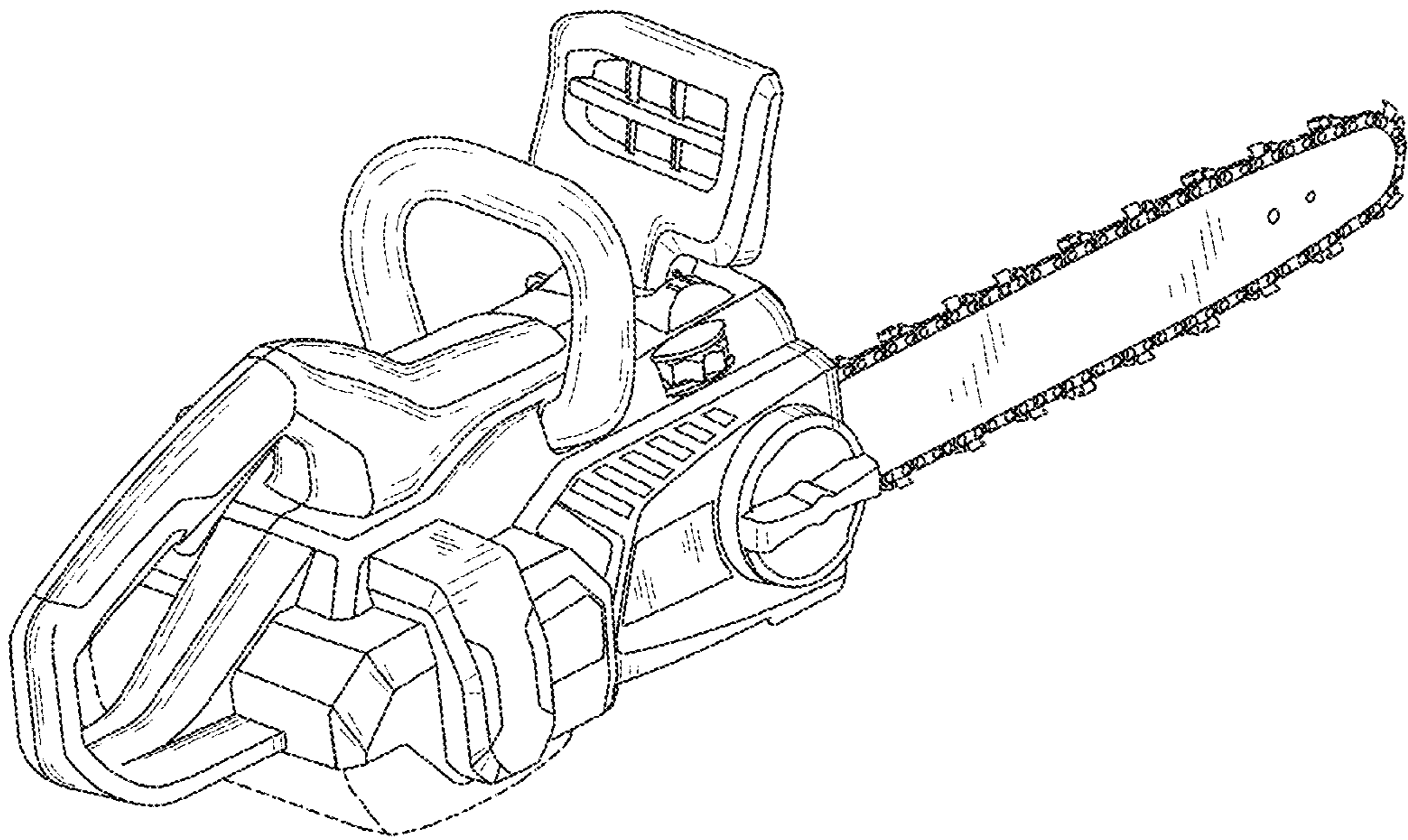


Fig. 7