



US00D755032S

(12) **United States Design Patent**  
**Martinez et al.**

(10) **Patent No.:** **US D755,032 S**  
(45) **Date of Patent:** **\*\* May 3, 2016**

(54) **ELECTRIC SCREWDRIVER**  
(71) Applicant: **CHERVON INTELLECTUAL PROPERTY LIMITED**, Road Town (VG)  
(72) Inventors: **Michael Martinez**, Nanjing (CN); **Dennis Wrobleski**, Nanjing (CN)  
(73) Assignee: **Chervon Intellectual Property Limited**, Road Town (GB)

D586,195 S *	2/2009	Okuda	.....	D8/61
D618,079 S *	6/2010	Blythe	.....	D8/61
7,866,235 B2 *	1/2011	Hi	.....	B25G 1/066 81/177.7
D634,998 S *	3/2011	Garfield	.....	D8/61
D663,180 S *	7/2012	Jerome	.....	D8/61
D689,354 S *	9/2013	Mitchell	.....	D8/61
D696,092 S *	12/2013	Yaschur	.....	D8/61
D702,522 S *	4/2014	Steinfels	.....	D8/61
D711,714 S *	8/2014	Sawaya	.....	D8/61
D715,615 S *	10/2014	Nagy	.....	D8/61
D720,196 S *	12/2014	Hsiao	.....	D8/61

\* cited by examiner

(\*\*) Term: **14 Years**

*Primary Examiner* — Austin Murphy

(21) Appl. No.: **29/526,064**

(74) *Attorney, Agent, or Firm* — Greenberg Traurig, LLP

(22) Filed: **May 6, 2015**

(30) **Foreign Application Priority Data**

Feb. 5, 2015 (CN) ..... 2015 3 0034811

(51) **LOC (10) Cl.** ..... **08-01**

(52) **U.S. Cl.**  
USPC ..... **D8/61**

(58) **Field of Classification Search**  
USPC ..... D8/61, 62, 67, 69; 81/57, 57.11, 57.14, 81/57.26, 429, 464, 469; 173/2, 170, 176, 173/181  
CPC ..... B25B 21/00; F16D 41/206; B25F 5/001  
See application file for complete search history.

(56) **References Cited**

U.S. PATENT DOCUMENTS

D565,916 S *	4/2008	Chen	.....	D8/61
D577,974 S *	10/2008	Miller	.....	D8/70

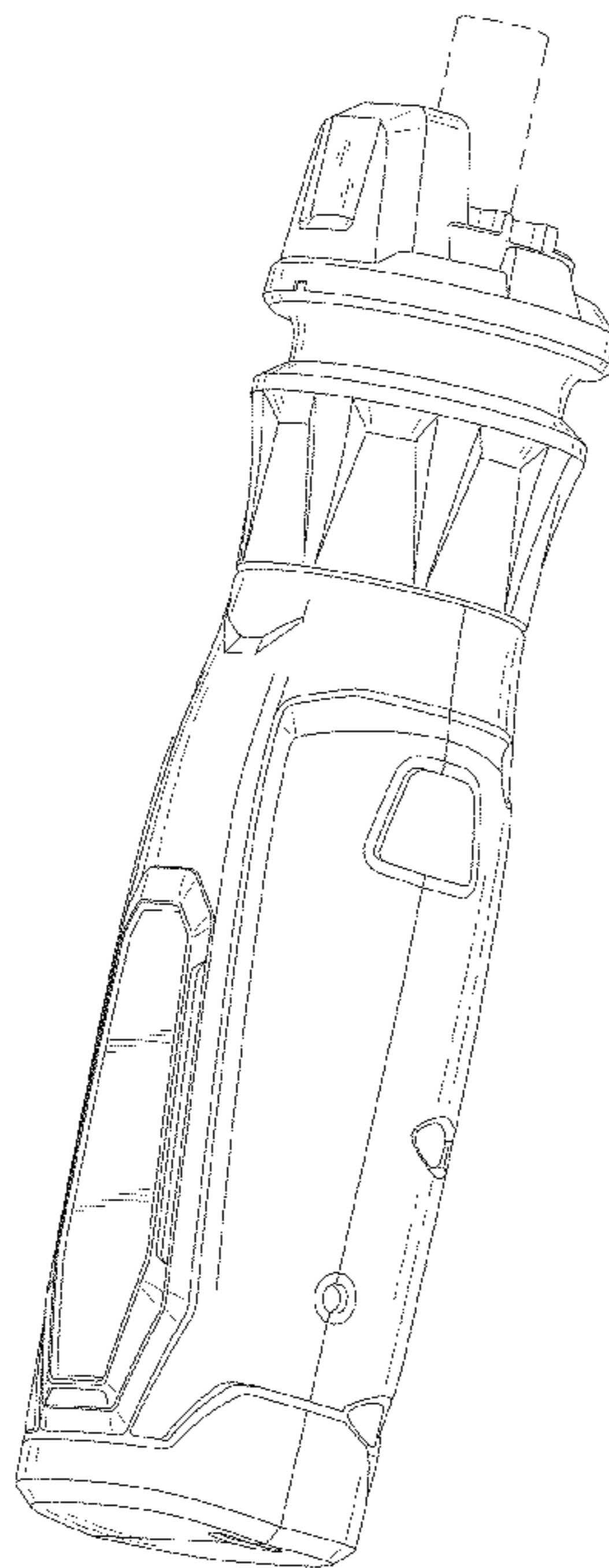
(57) **CLAIM**

What is claimed is the ornamental design for an electric screwdriver, as shown and described.

**DESCRIPTION**

FIG. 1 is a right side elevational view of an electric screwdriver showing our new design;  
FIG. 2 is a left side elevational view thereof;  
FIG. 3 is a back side elevational view thereof;  
FIG. 4 is front side elevational view thereof;  
FIG. 5 is a top plan view thereof;  
FIG. 6 is a bottom plan view thereof; and,  
FIG. 7 is a perspective view thereof.  
The broken lines in the drawings illustrate a portion of an output shaft of the electric screwdriver which form no part of the claimed design.

**1 Claim, 6 Drawing Sheets**



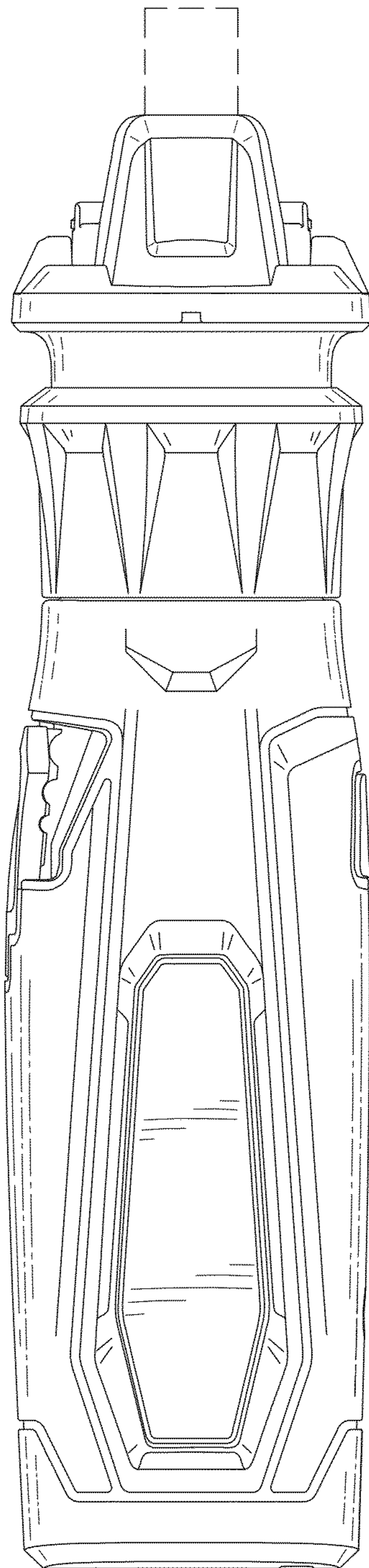


Fig. 1

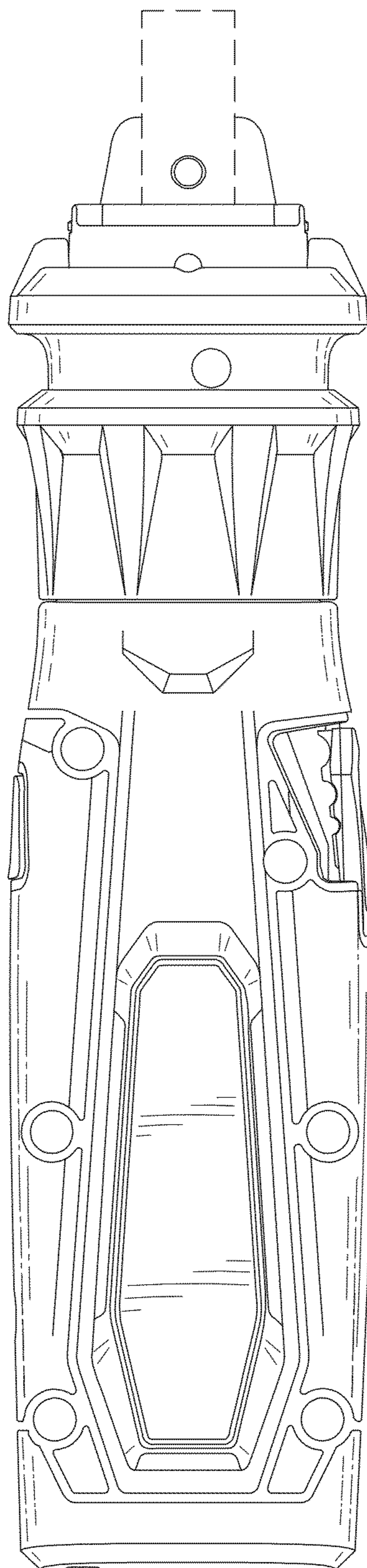


Fig. 2

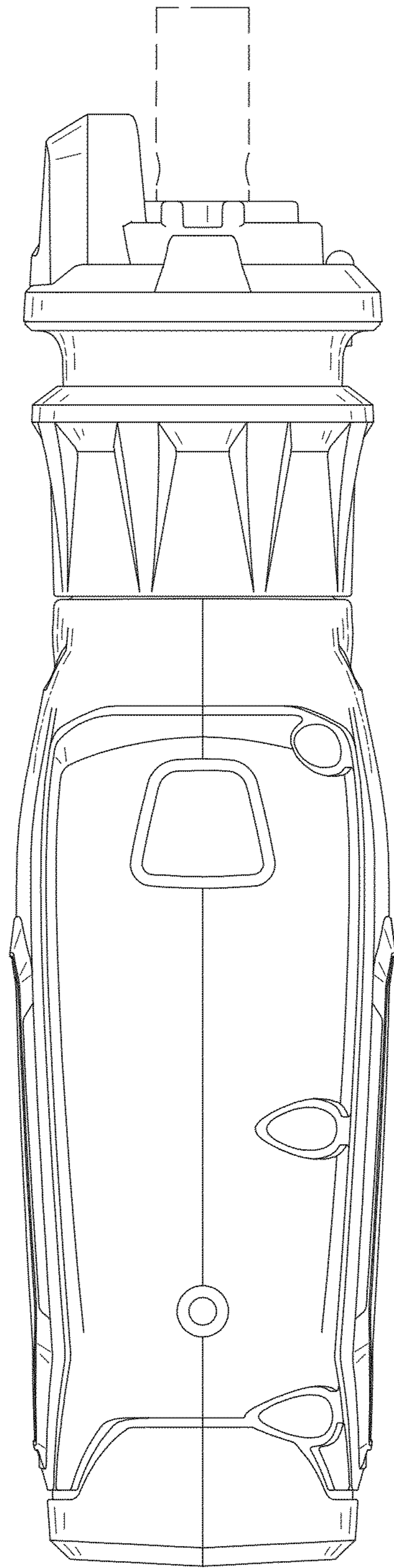


Fig. 3

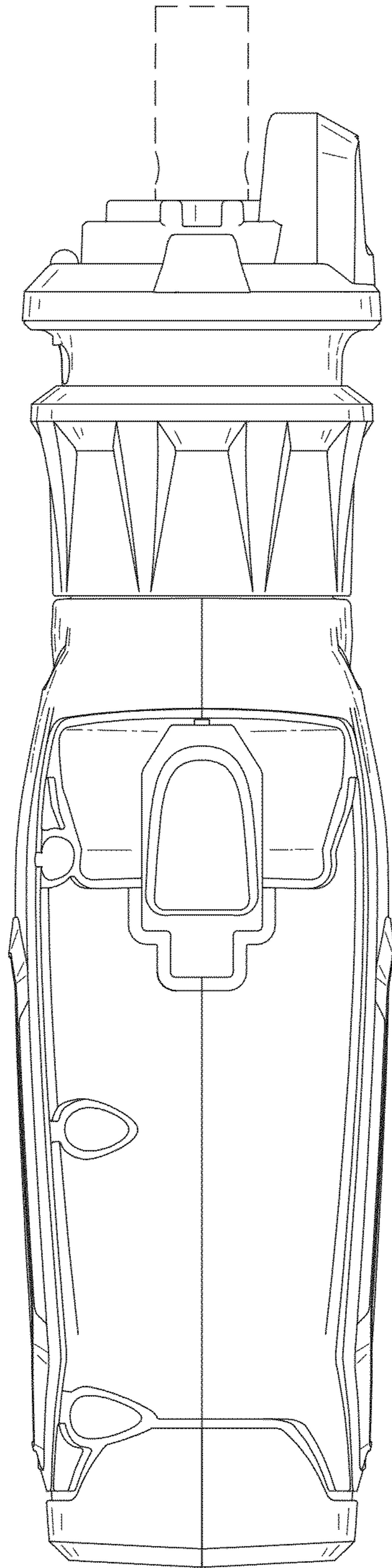


Fig. 4

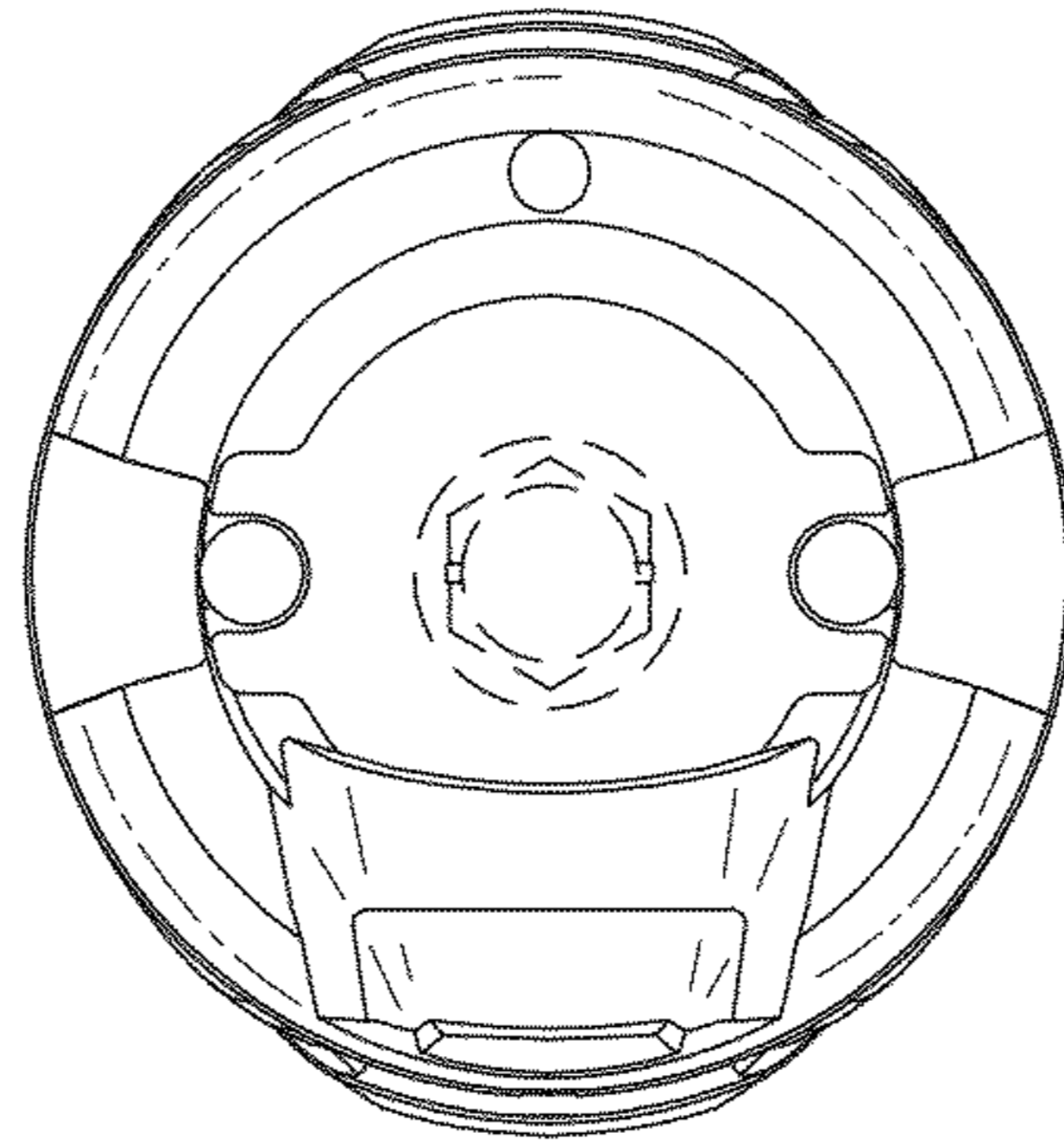


Fig. 5

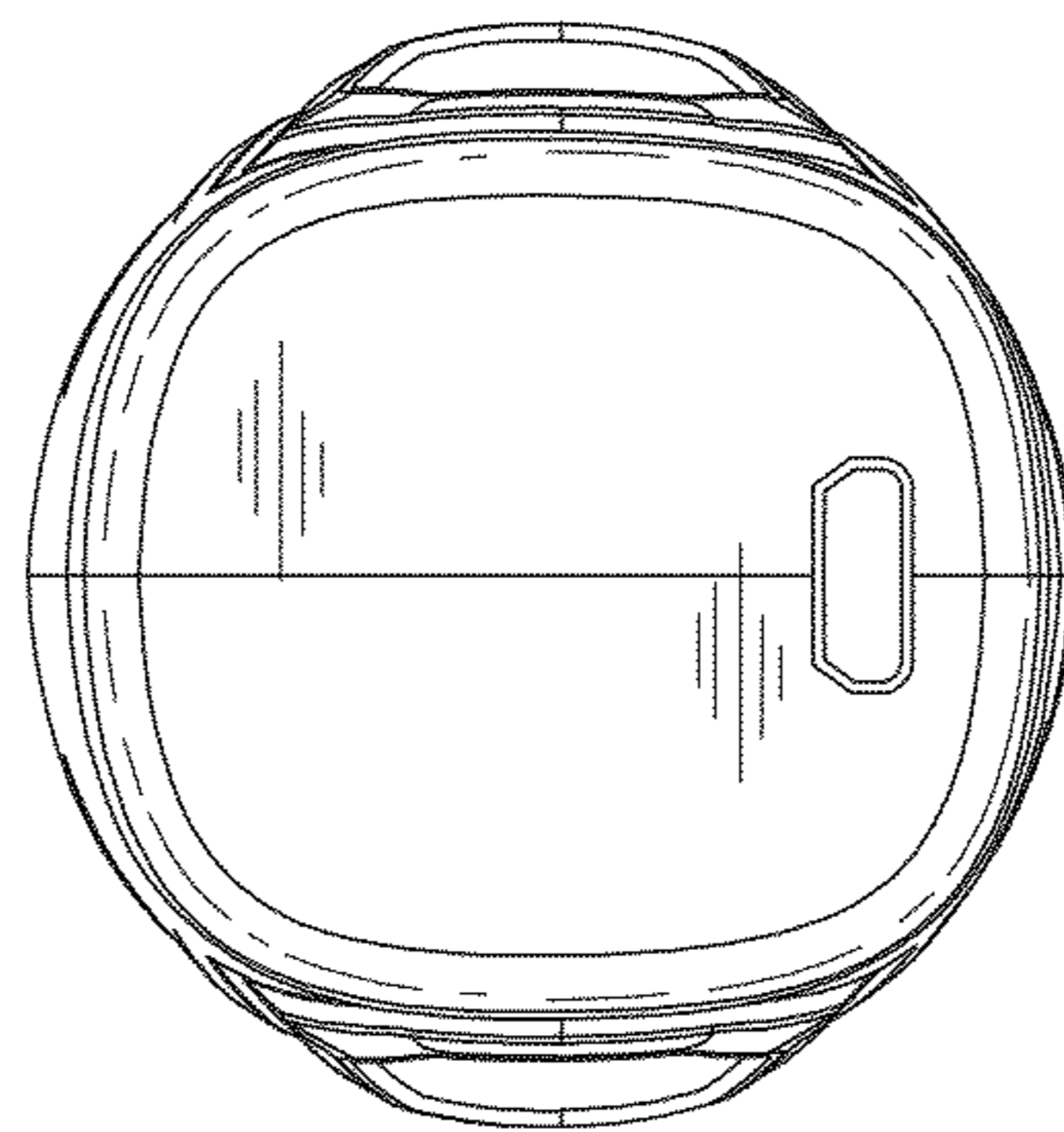


Fig. 6

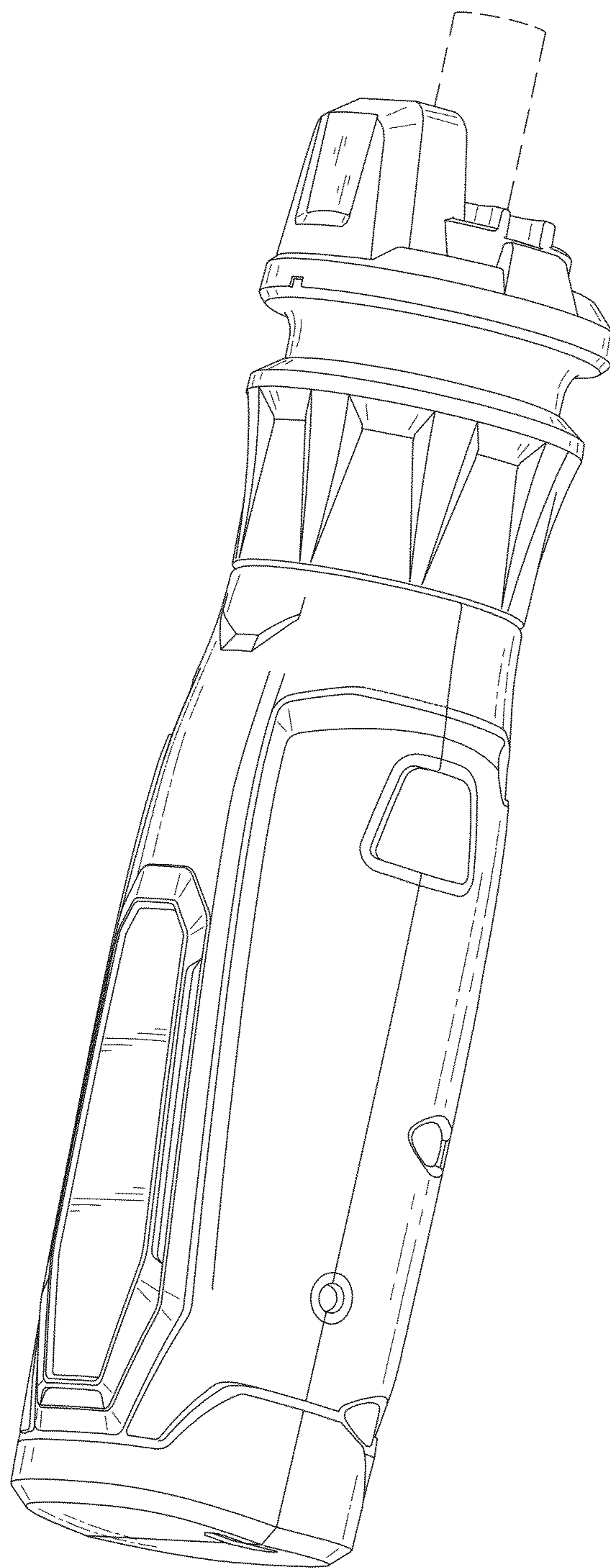


Fig. 7