



US00D755031S

(12) **United States Design Patent**
McConnell et al.

(10) **Patent No.:** **US D755,031 S**

(45) **Date of Patent:** **** May 3, 2016**

(54) **SHEARS**

(71) Applicant: **Whirlpool Corporation**, Benton Harbor, MI (US)

(72) Inventors: **John W. McConnell**, St. Joseph, MI (US); **Patrick J. Schiavone**, Benton Harbor, MI (US); **Wenkai Wu**, Aurora, IL (US)

(73) Assignee: **Whirlpool Corporation**, Benton Harbor, MI (US)

(**) Term: **14 Years**

(21) Appl. No.: **29/517,605**

(22) Filed: **Feb. 13, 2015**

(51) **LOC (10) Cl.** **08-07**

(52) **U.S. Cl.**
USPC **D8/57**

(58) **Field of Classification Search**
USPC D8/51-58; D7/693, 687, 674
CPC A01G 3/02; A01G 3/065; A61B 17/3201;
B26B 13/20; B26B 13/00
See application file for complete search history.

(56) **References Cited**

U.S. PATENT DOCUMENTS

D398,501 S * 9/1998 Jacquet D8/57
D398,502 S * 9/1998 Jacquet D8/57

D413,240 S * 8/1999 Jacquet D8/57
D483,635 S * 12/2003 Silver D8/57
D651,496 S * 1/2012 Bhasin D8/57
D680,836 S * 4/2013 Bhasin D8/57
D703,507 S * 4/2014 Bhasin D8/57
D716,123 S * 10/2014 Teraguchi D8/57
2007/0101582 A1 * 5/2007 Escobar B25G 1/102
30/232
2014/0290071 A1 * 10/2014 Yoshida B26B 13/06
30/254

* cited by examiner

Primary Examiner — Deanna L Pratt

(57) **CLAIM**

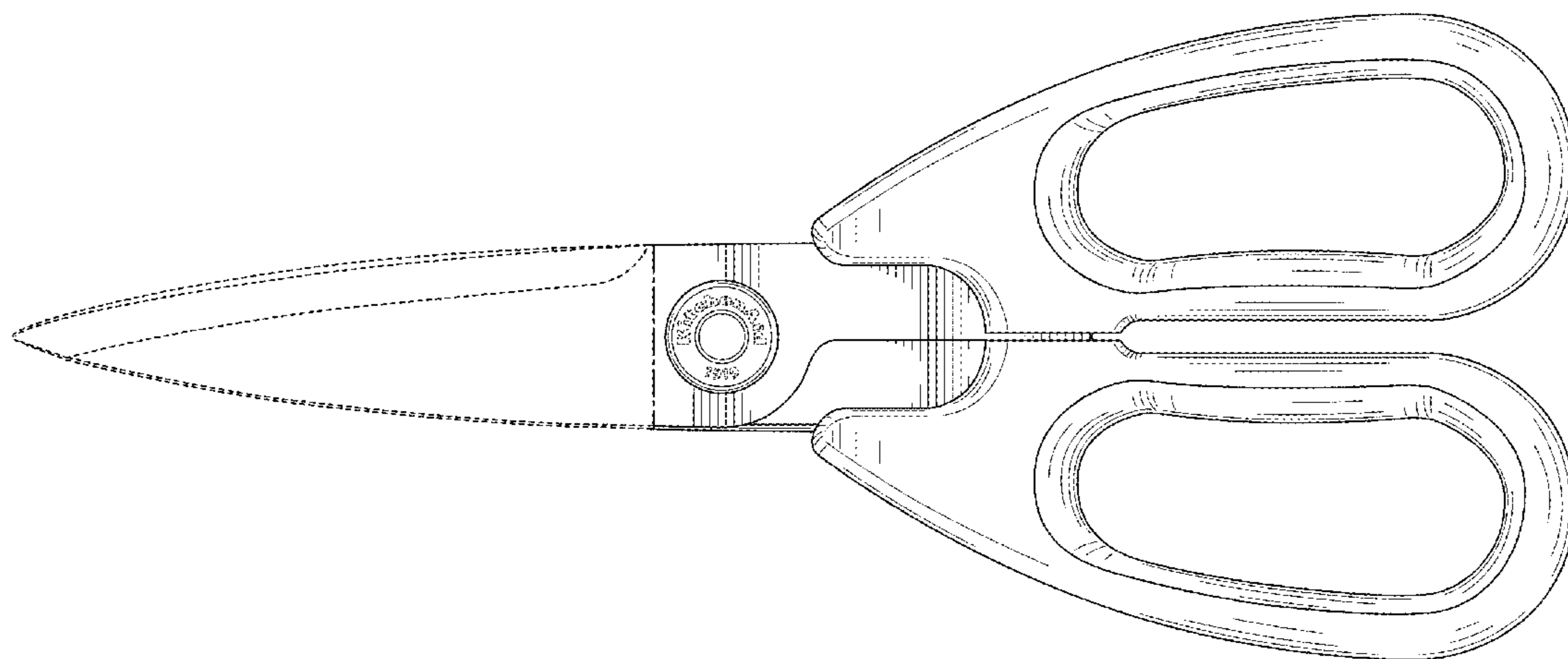
The ornamental design for shears, as shown and described.

DESCRIPTION

FIG. 1 is a front perspective view of shears according to a first embodiment of our design;
FIG. 2 is a left side view thereof;
FIG. 3 is a right side view thereof;
FIG. 4 is a bottom view thereof;
FIG. 5 is a top view thereof;
FIG. 6 is a front view thereof; and,
FIG. 7 is a back view thereof.

Broken lines are environmental only and form no part of the claimed design; and
Dash-dot lines adjacent un-shaded areas represent bounds of the claimed design and form no part of the claimed design themselves.

1 Claim, 5 Drawing Sheets



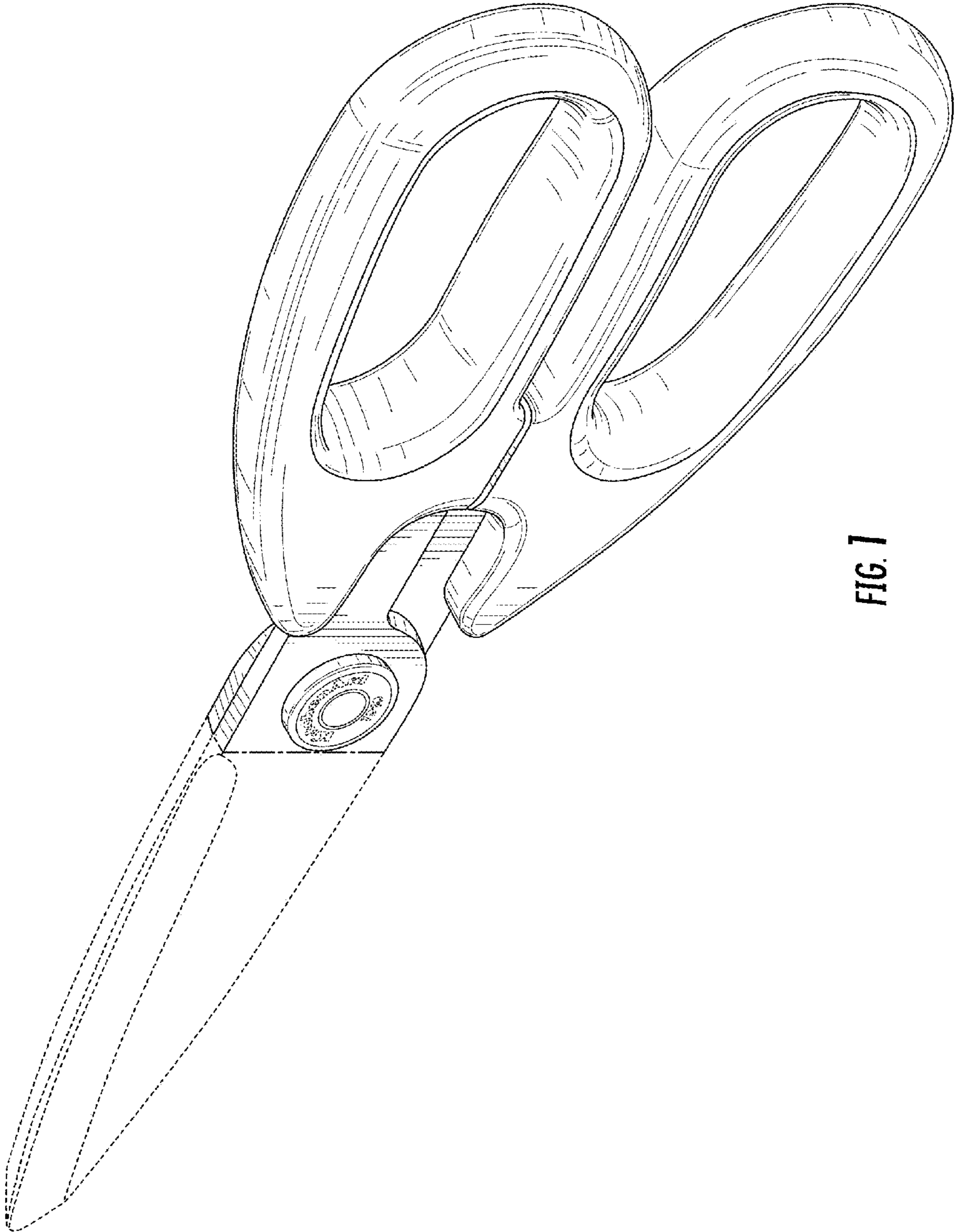


FIG. 1

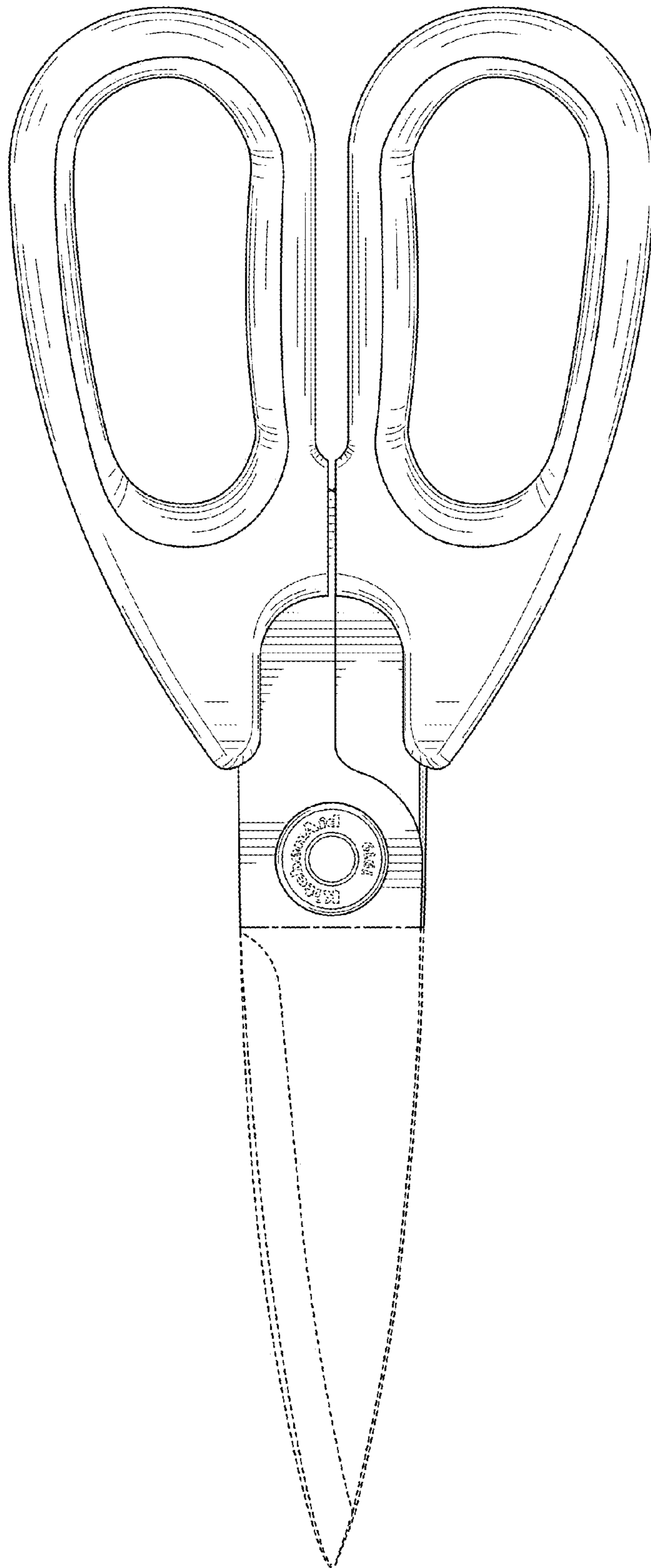


FIG. 2

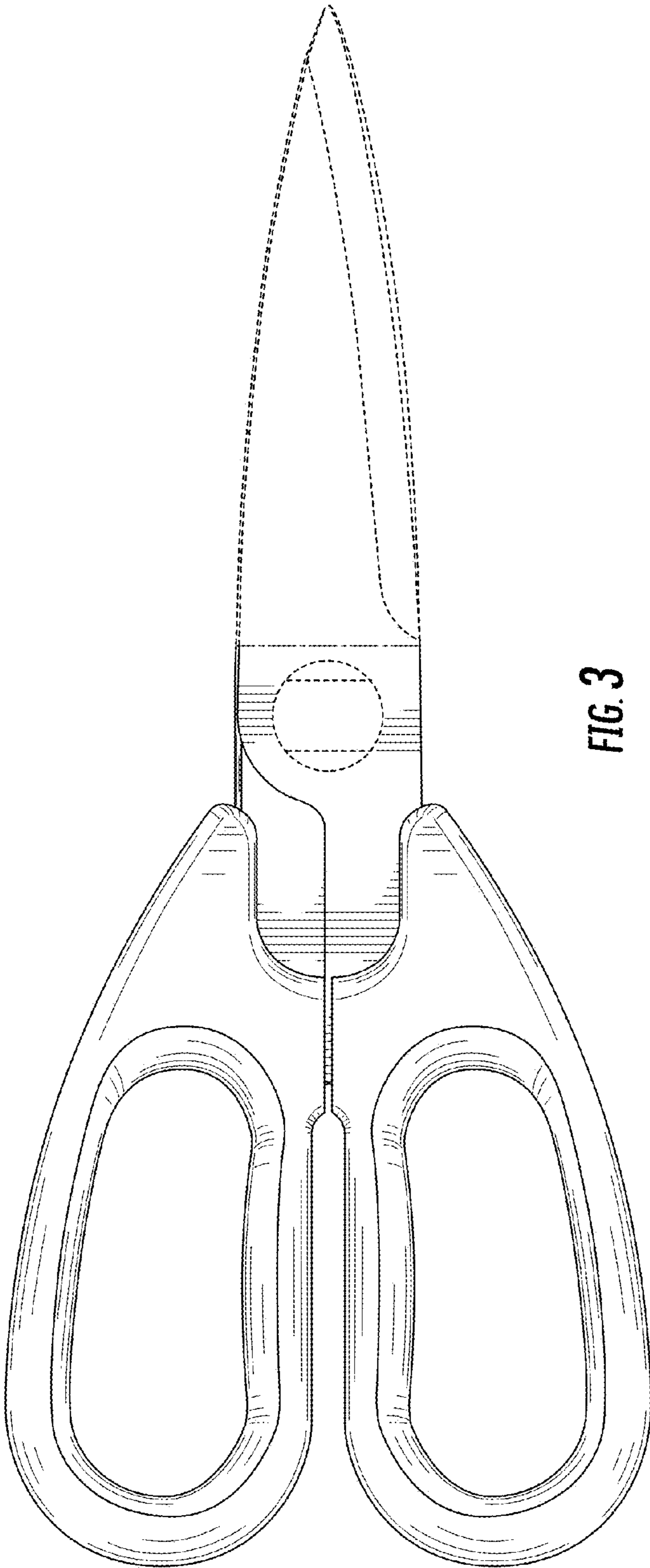


FIG. 3

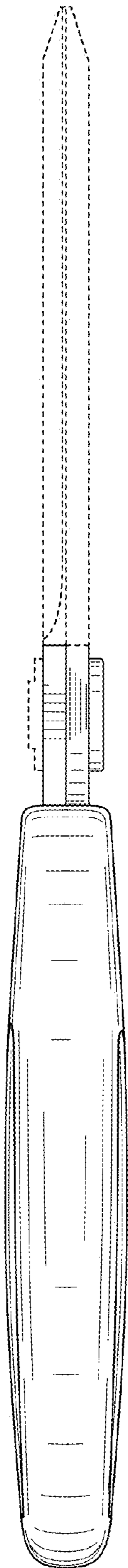


FIG. 4

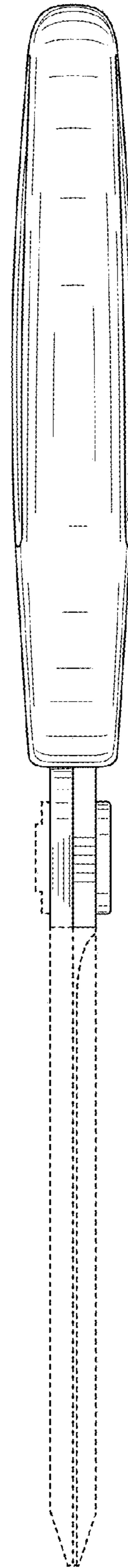


FIG. 5

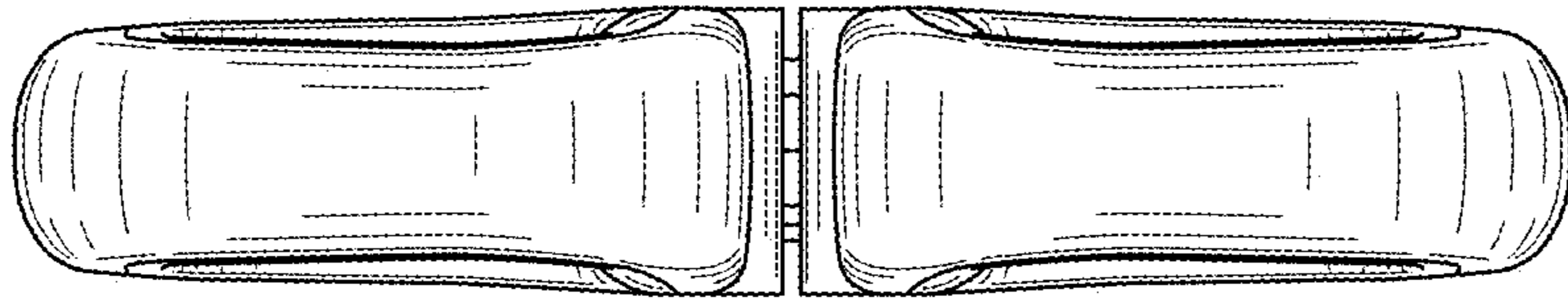


FIG. 7

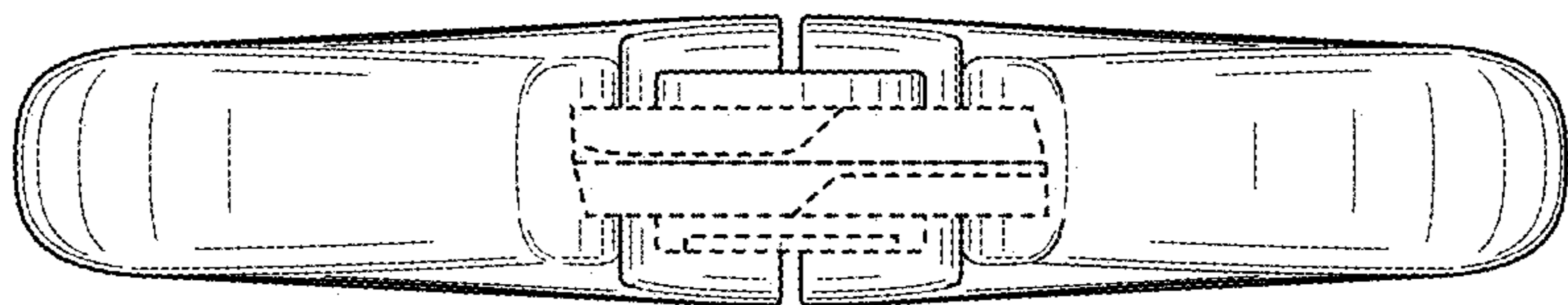


FIG. 6