

US00D755028S

(12) **United States Design Patent**
Yu

(10) **Patent No.:** **US D755,028 S**

(45) **Date of Patent:** **** May 3, 2016**

(54) **SOCKET**

(71) Applicant: **Chiu-Hsia Yu**, Taichung (TW)

(72) Inventor: **Chiu-Hsia Yu**, Taichung (TW)

(**) Term: **14 Years**

(21) Appl. No.: **29/503,771**

(22) Filed: **Sep. 29, 2014**

(51) **LOC (10) Cl.** **08-05**

(52) **U.S. Cl.**
USPC **D8/29**

(58) **Field of Classification Search**

USPC D8/29, 85, 81, 82; 81/60, 177.1,
81/177.85, 121.1, 124.3, 165-170, 110.1,
81/176.2, 124.6, 176.1, 176.15, 177.2;
16/110.1; D15/144.1; 219/75, 227,
219/229, 121.16, 121.18
CPC B25B 1/00; B25B 13/00; B25B 31/00
See application file for complete search history.

(56) **References Cited**

U.S. PATENT DOCUMENTS

D241,520 S * 9/1976 Fujita D8/397
4,649,620 A * 3/1987 Omori 29/511

6,158,310 A * 12/2000 Goss et al. 81/121.1
D506,908 S * 7/2005 Hsien D8/29
6,945,142 B1 * 9/2005 Chen 81/124.3
D539,131 S * 3/2007 Hsien D8/382
D675,238 S * 1/2013 Launius, Jr. D15/139
8,347,761 B2 * 1/2013 Goss 81/121.1

* cited by examiner

Primary Examiner — Randall Gholson

(74) *Attorney, Agent, or Firm* — Leong C. Lei

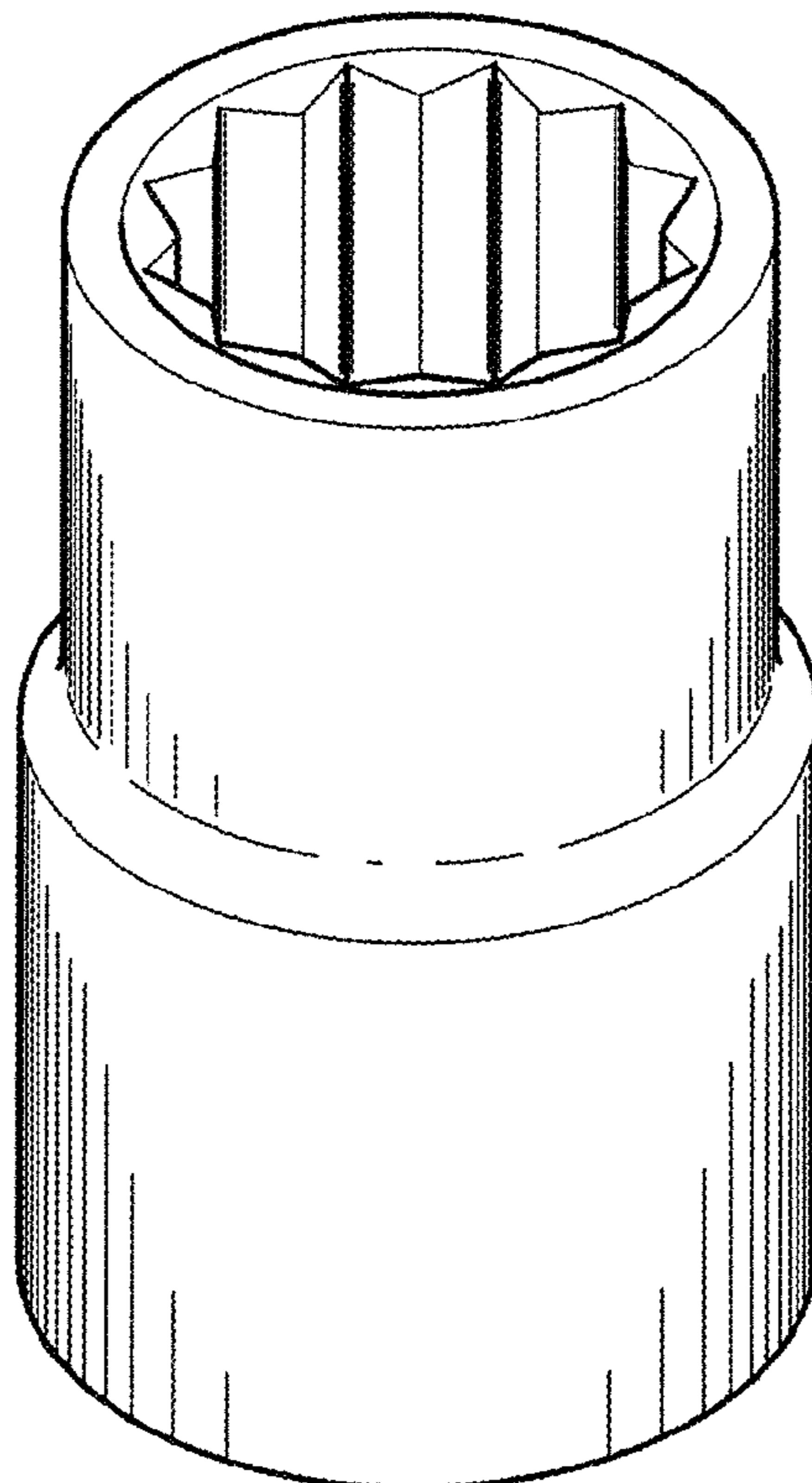
(57) **CLAIM**

The ornamental design for a socket, as shown and described.

DESCRIPTION

FIG. 1 is a front perspective view of a socket showing my new design;
FIG. 2 is a front elevational view thereof;
FIG. 3 is a rear elevational view thereof;
FIG. 4 is a left elevational view thereof;
FIG. 5 is a right elevational view thereof;
FIG. 6 is a top plan view thereof;
FIG. 7 is a bottom plan view thereof; and,
FIG. 8 is another perspective view thereof, with a portion thereof cut off showing the internal portion of the sleeve.

1 Claim, 7 Drawing Sheets



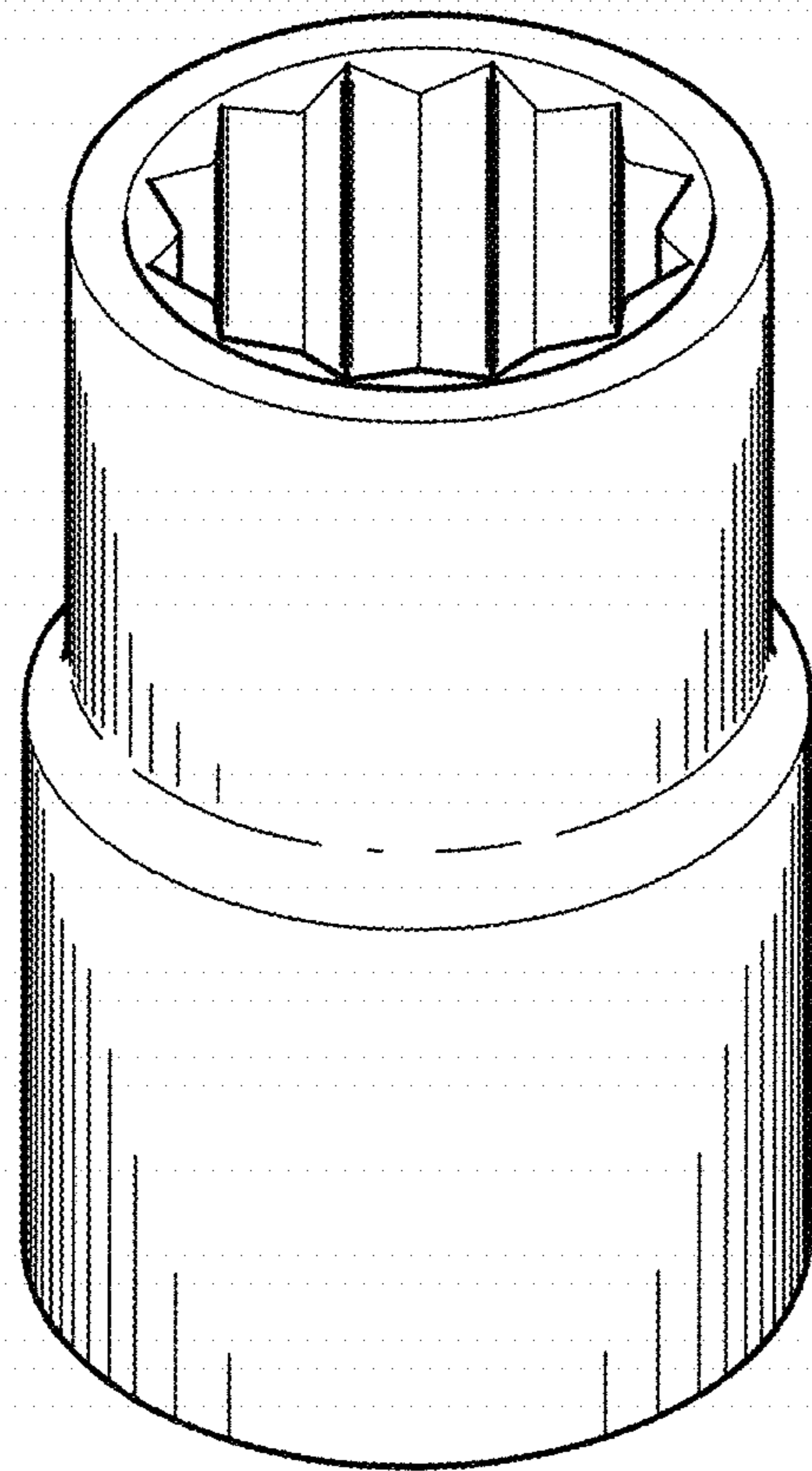


FIG. 1

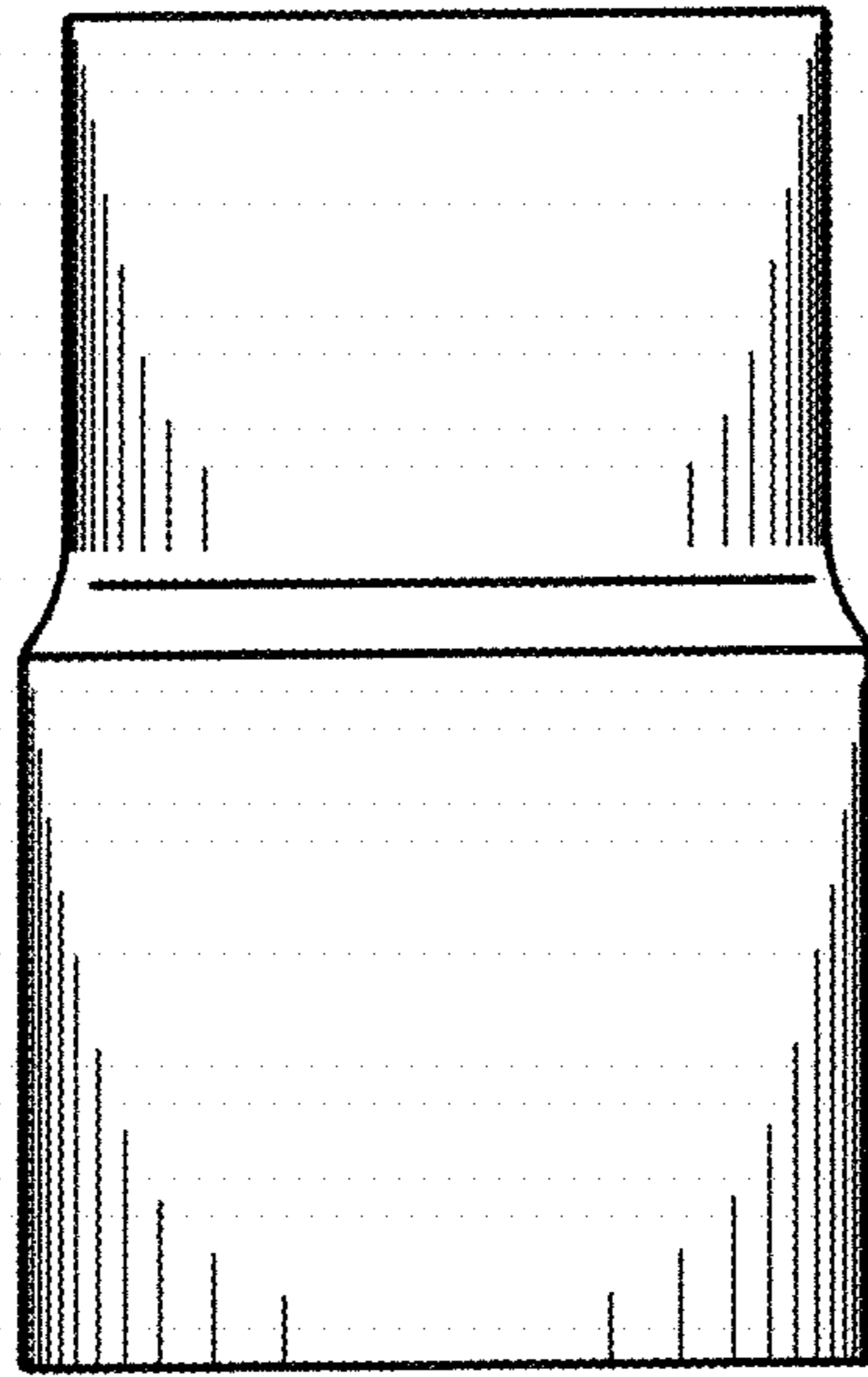


FIG.2

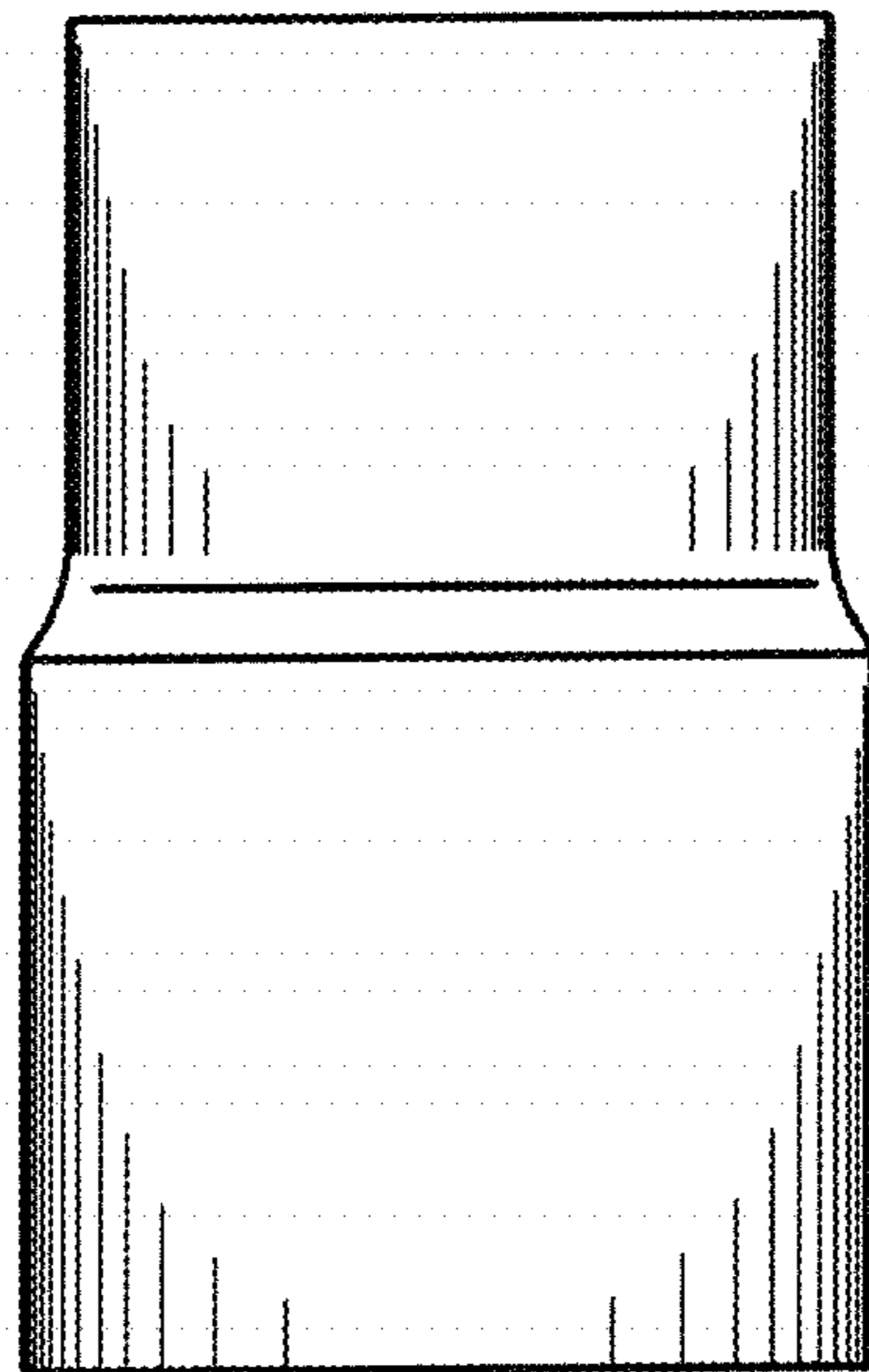


FIG.3

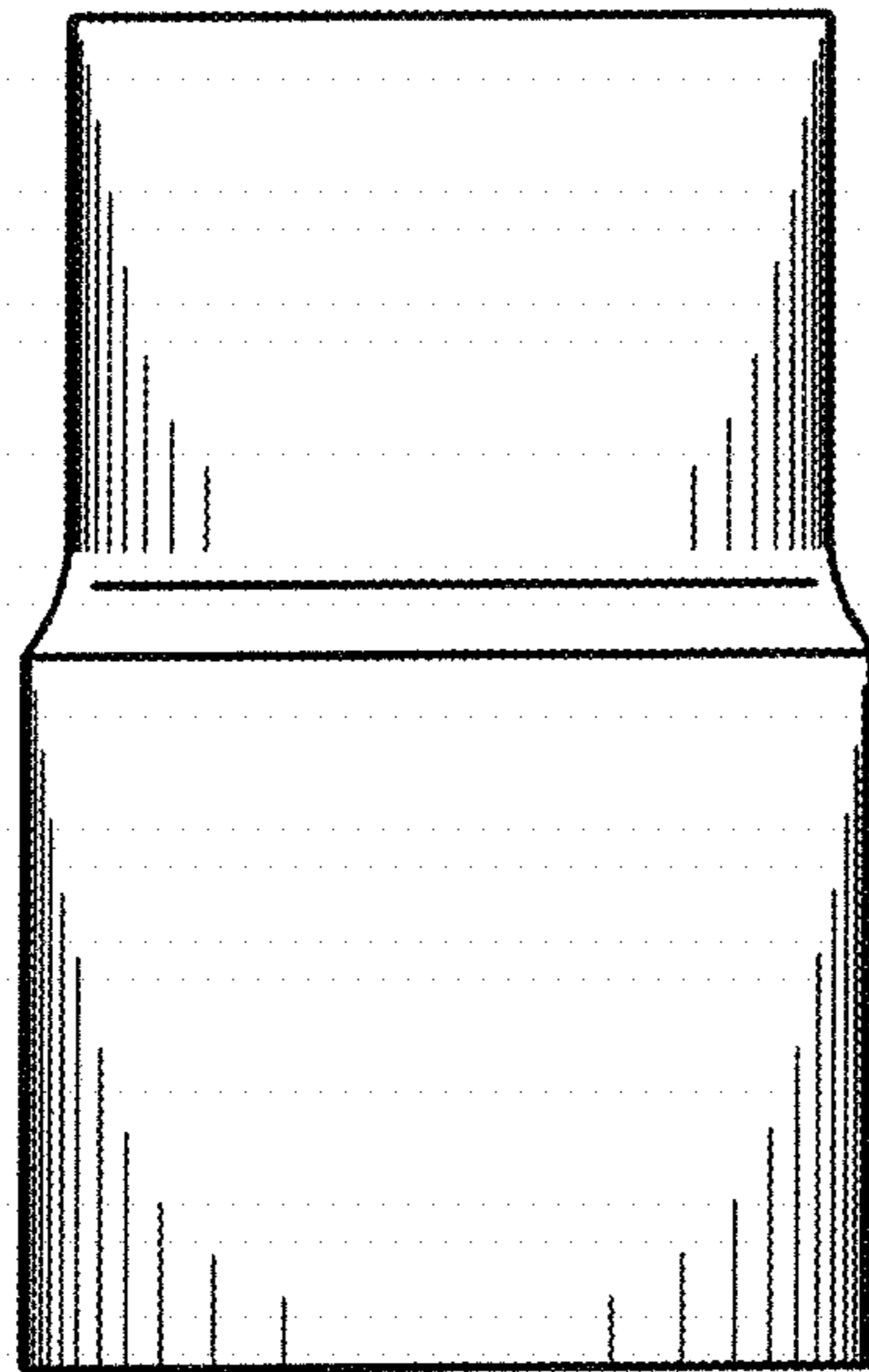


FIG. 4

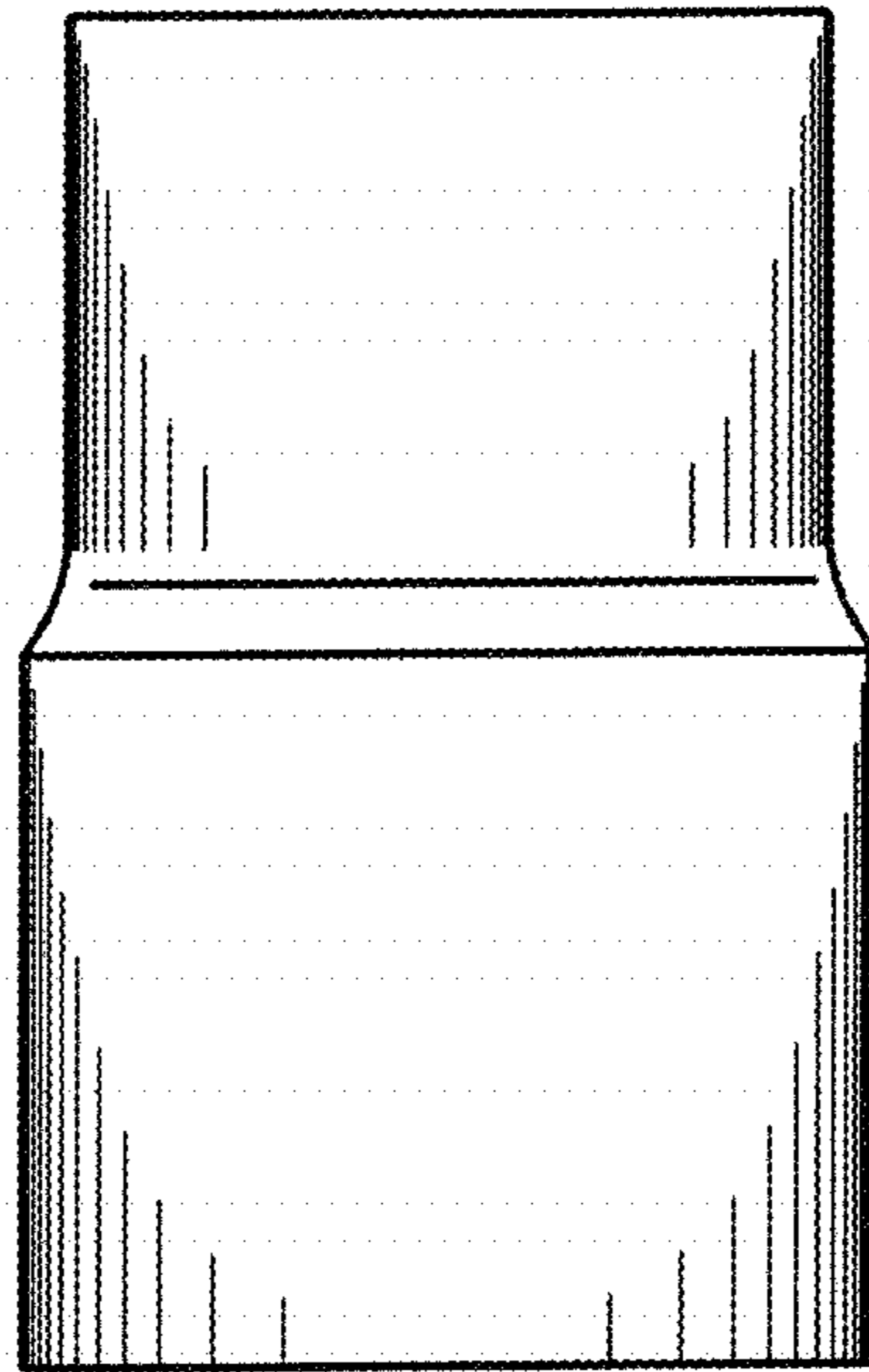


FIG. 5

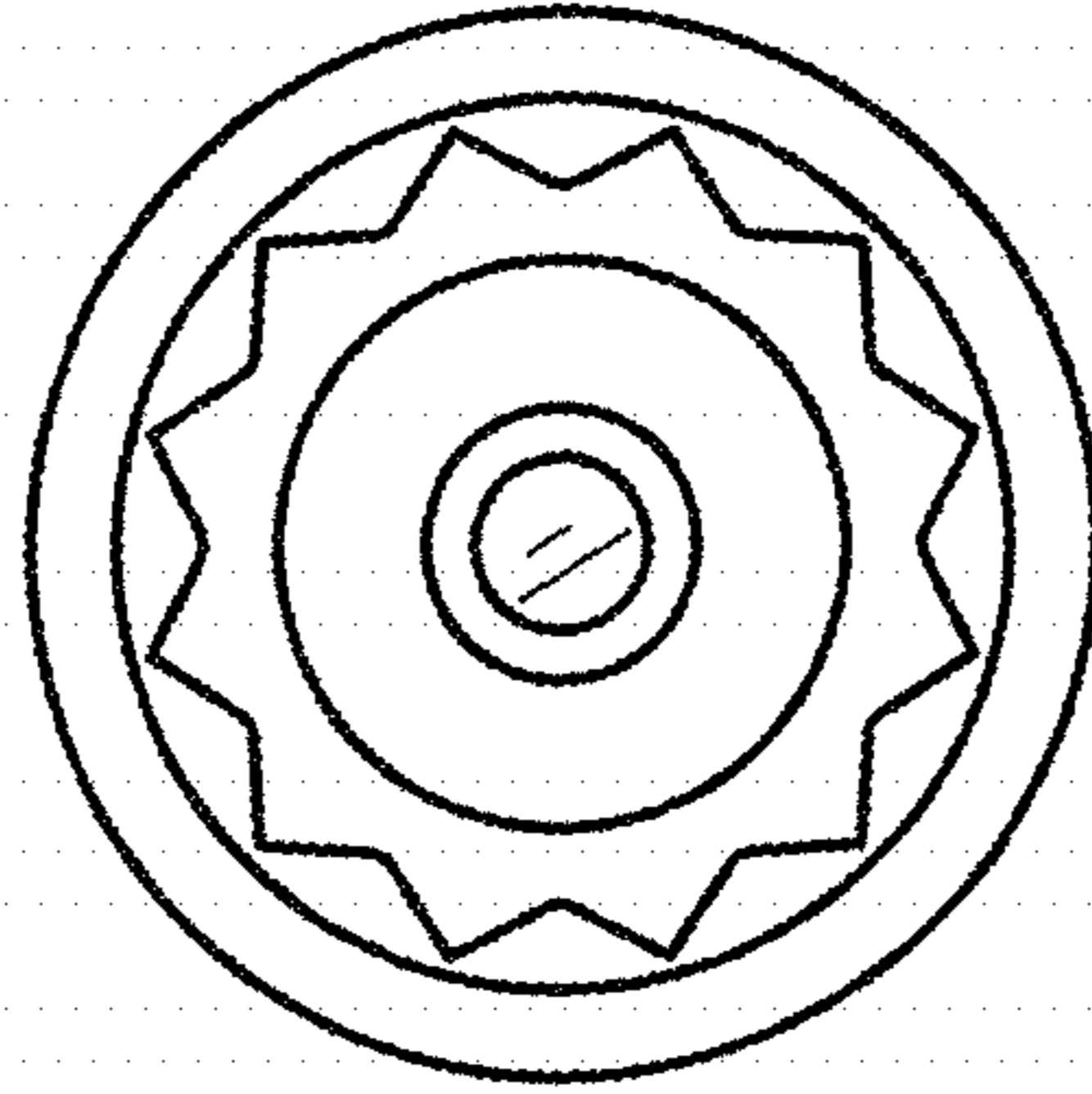


FIG. 6

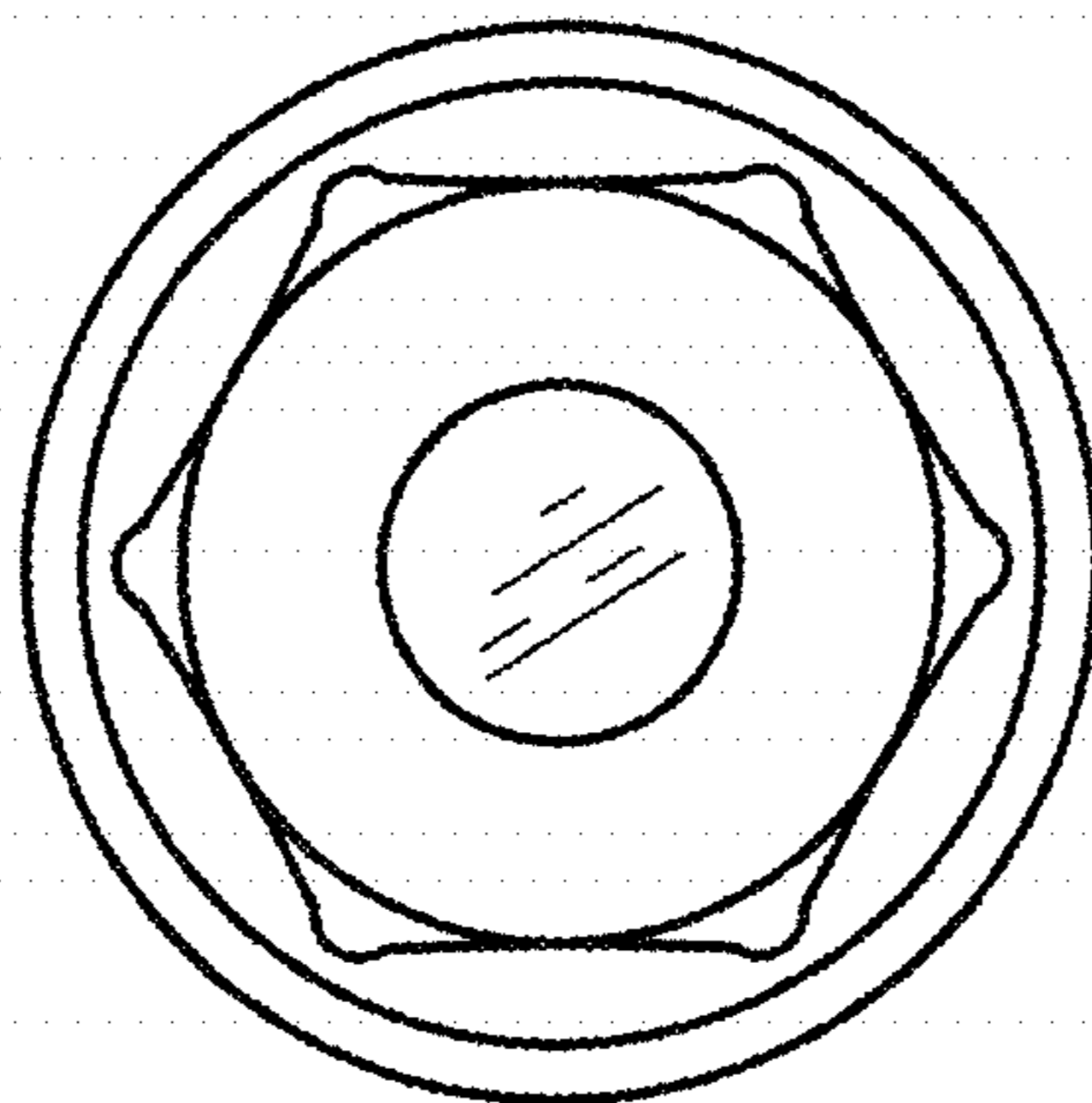


FIG. 7

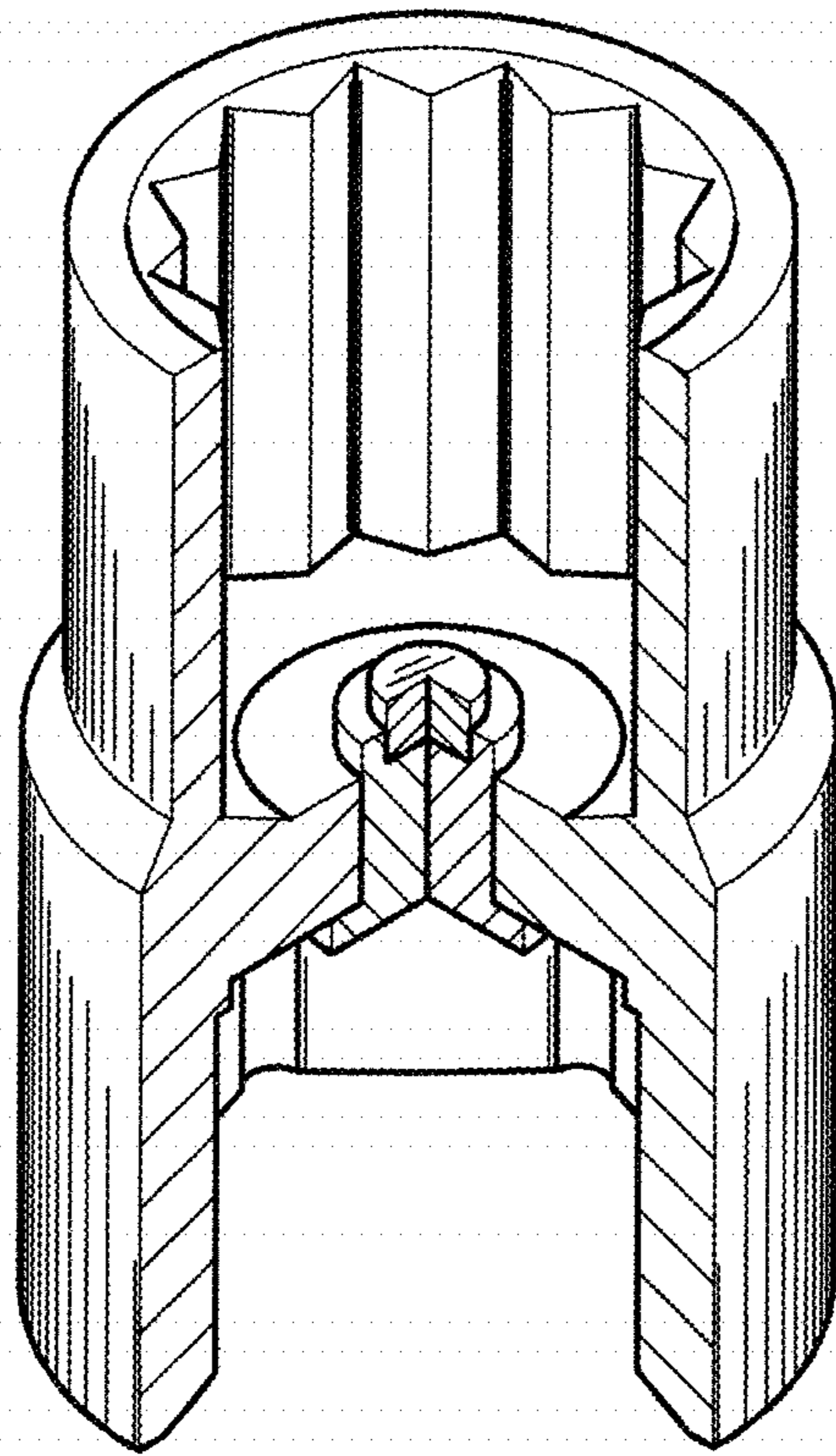


FIG. 8