



US00D755027S

(12) **United States Design Patent**
Robinson et al.

(10) **Patent No.:** **US D755,027 S**

(45) **Date of Patent:** **** May 3, 2016**

(54) **TOOL HANDLE**

(71) Applicants: **Glenn Robinson**, Parkland, FL (US);
Rodrigo Lima, Fort Lauderdale, FL
(US)

(72) Inventors: **Glenn Robinson**, Parkland, FL (US);
Rodrigo Lima, Fort Lauderdale, FL
(US)

(**) Term: **14 Years**

(21) Appl. No.: **29/474,860**

(22) Filed: **Mar. 2, 2015**

(51) **LOC (10) Cl.** **08-05**

(52) **U.S. Cl.**
USPC **D8/28**

(58) **Field of Classification Search**
USPC D8/21-29; 81/60, 177.1, 177.85, 121.1,
81/124.3, 165-170, 110.1, 176.2, 124.6,
81/176.1, 176.15, 177.2, 186, 125, 119,
81/180.1, 185.02; 16/110.1; D15/144.1;
219/75, 227, 229, 121.16, 121.18
CPC B25B 13/463; B25B 13/04; B25B 13/46;
B25B 13/461

See application file for complete search history.

(56) **References Cited**

U.S. PATENT DOCUMENTS

D445,014 S *	7/2001	Douglas	D8/107
6,418,820 B1 *	7/2002	Lamond	B25G 1/105 81/177.1
D485,144 S *	1/2004	Levine	D8/21
D617,617 S *	6/2010	Garcia	D8/22
D619,866 S *	7/2010	Deguglimo	D8/25
D634,601 S *	3/2011	Good	D8/107
D651,056 S *	12/2011	Robinson	D8/25
D704,522 S *	5/2014	Chen	D8/27
D714,113 S *	9/2014	Robinson	D8/25

* cited by examiner

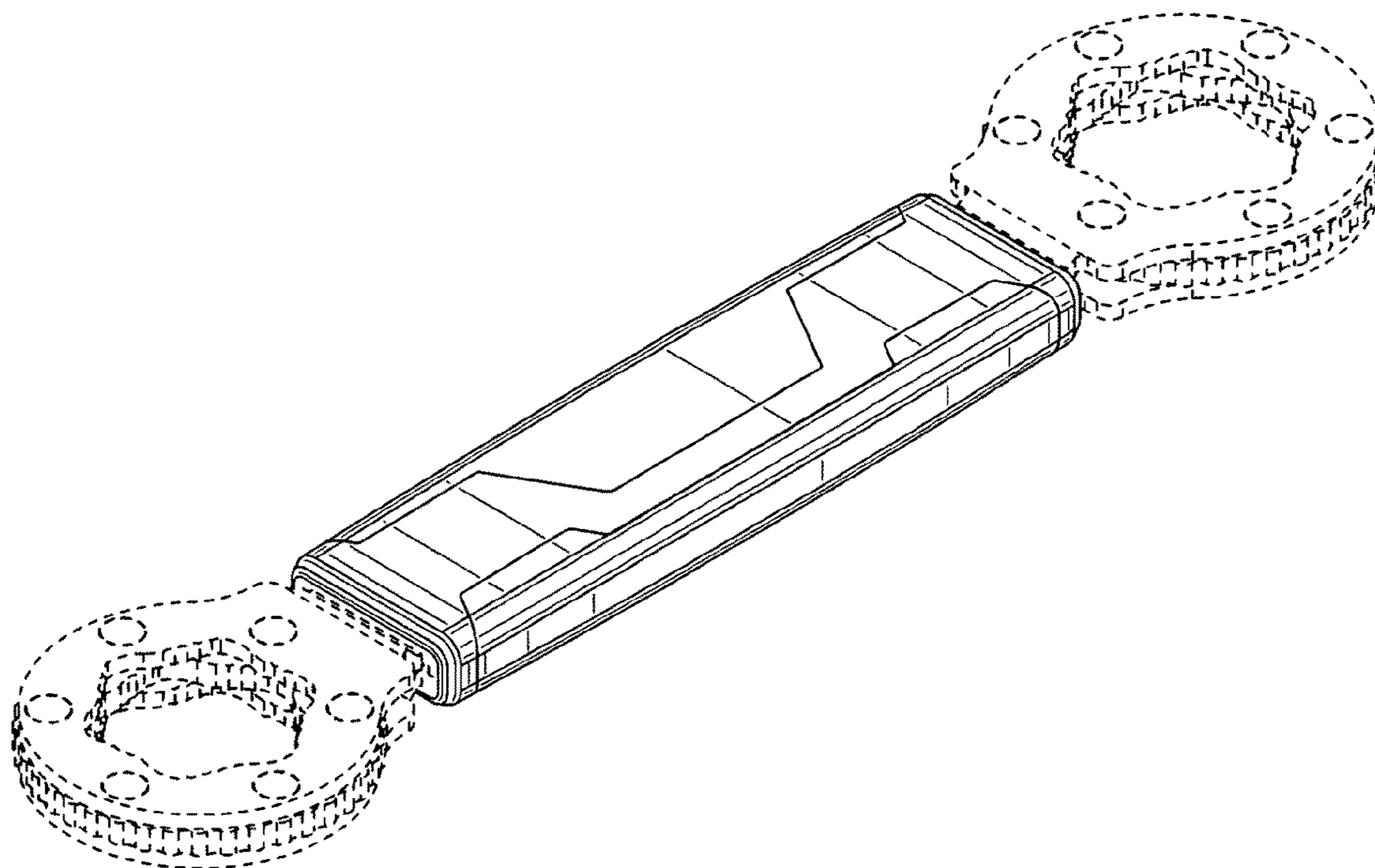
Primary Examiner — Raphael Barkai
Assistant Examiner — Randall Gholson
(74) *Attorney, Agent, or Firm* — Dan DeLaRosa

(57) **CLAIM**
The ornamental design for a tool handle, as shown and described.

DESCRIPTION

FIG. 1 is a front perspective view of a tool handle showing our new design;
FIG. 2 is a front side view thereof;
FIG. 3 is a back side view thereof;
FIG. 4 is a left side view thereof;
FIG. 5 is a right side view thereof;
FIG. 6 is a top plan view thereof; and,
FIG. 7 is a bottom plan view thereof.
The broken lines shown in the drawings show unclaimed environment and form no part of the claimed design.

1 Claim, 4 Drawing Sheets



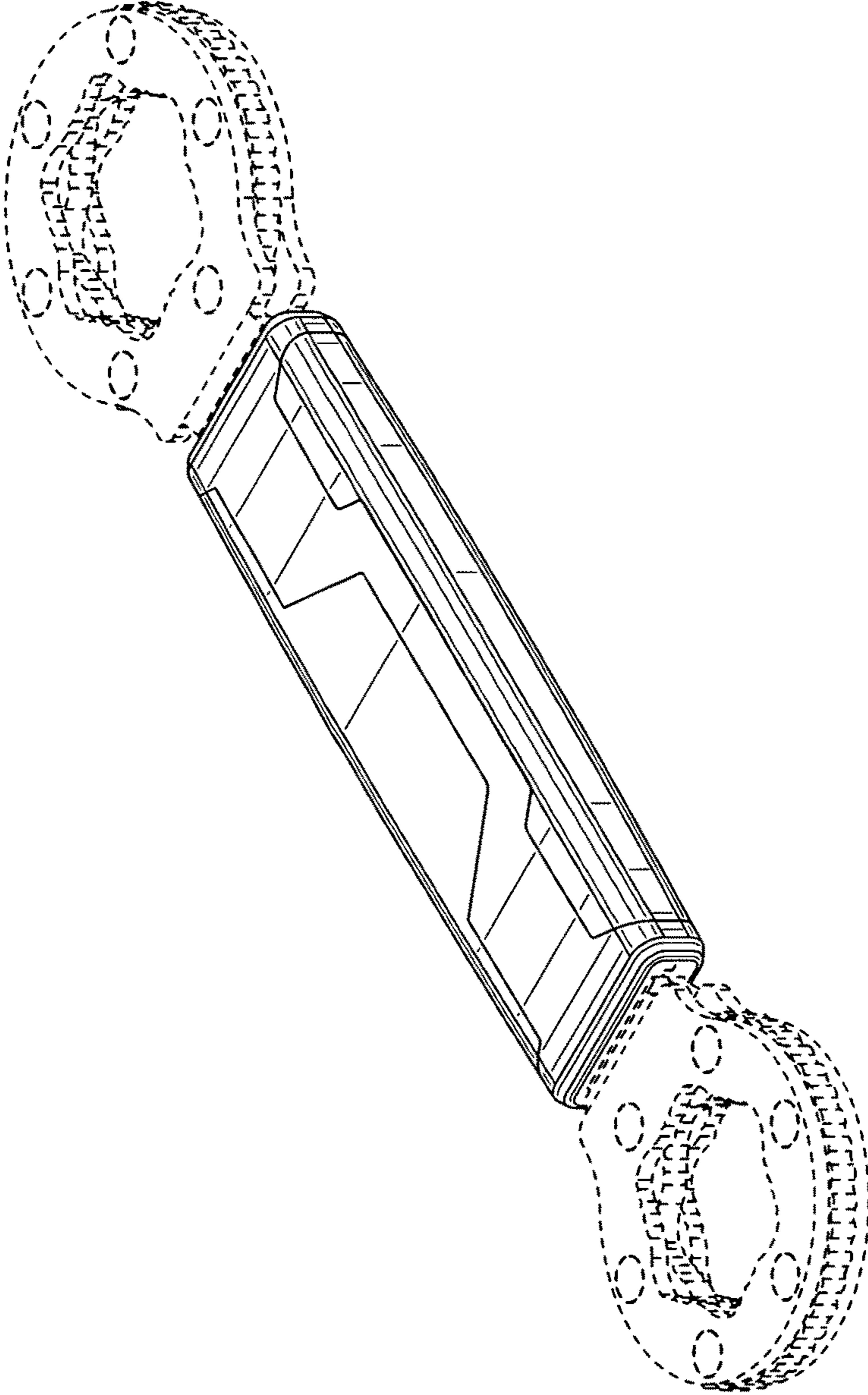


FIG. 1

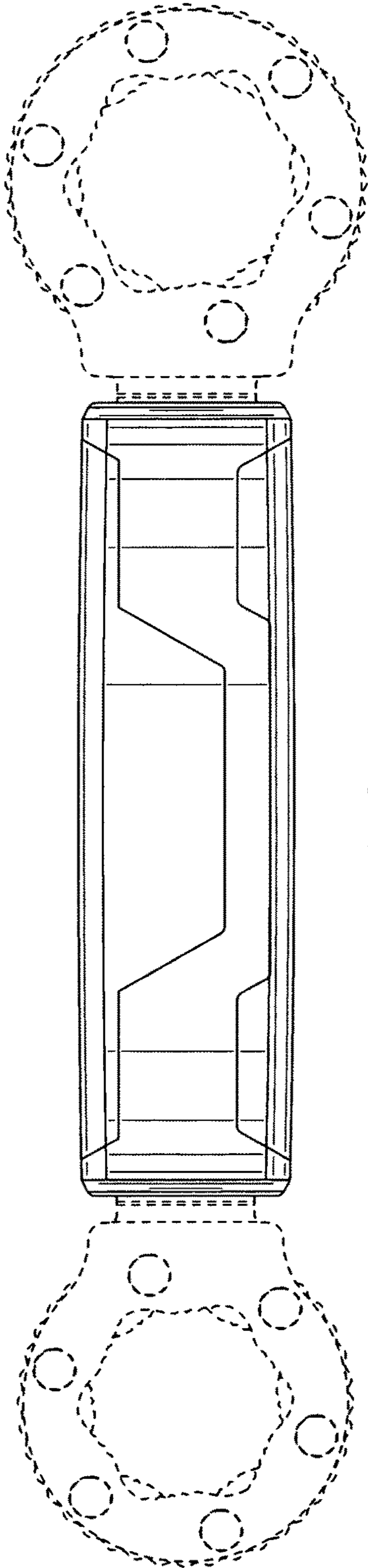


FIG. 2

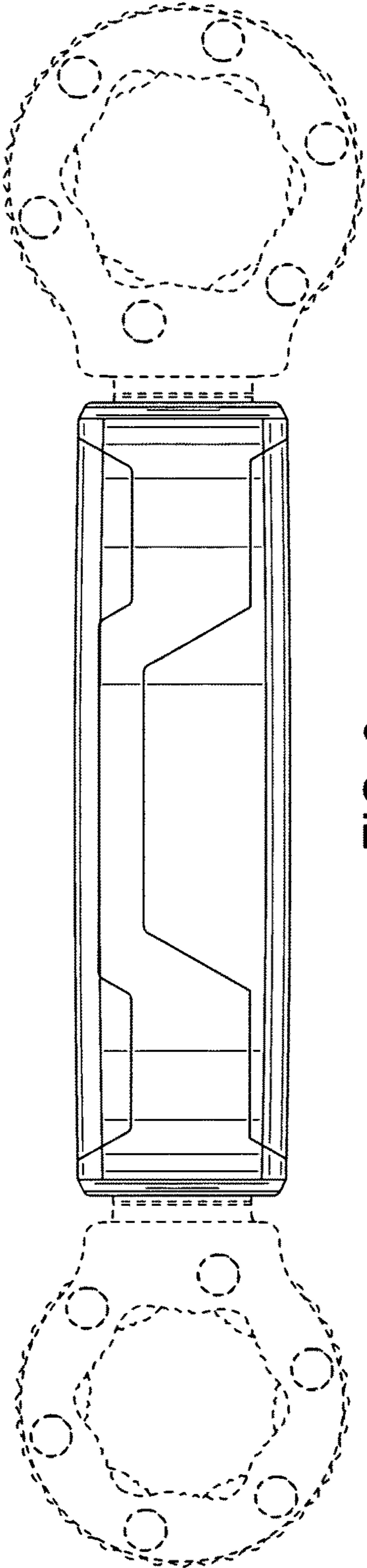


FIG. 3

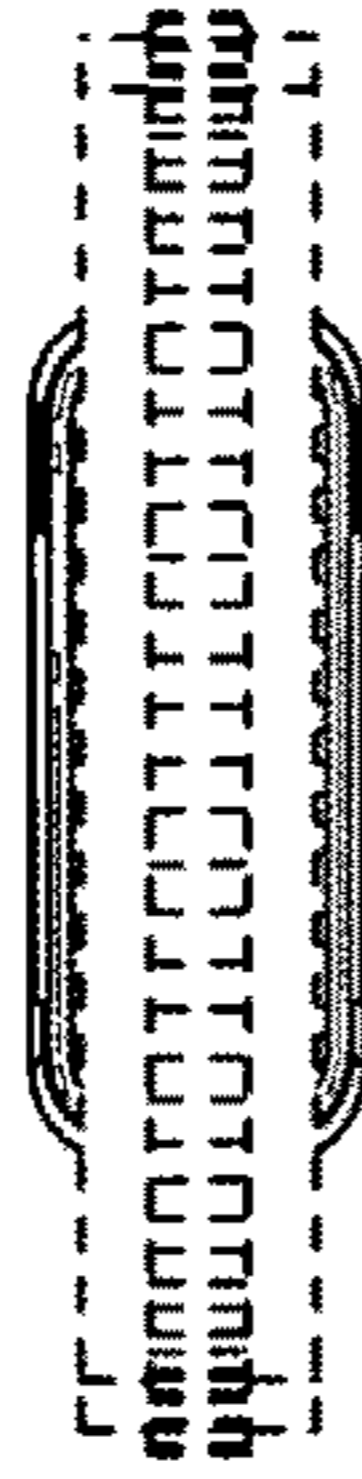


FIG. 4

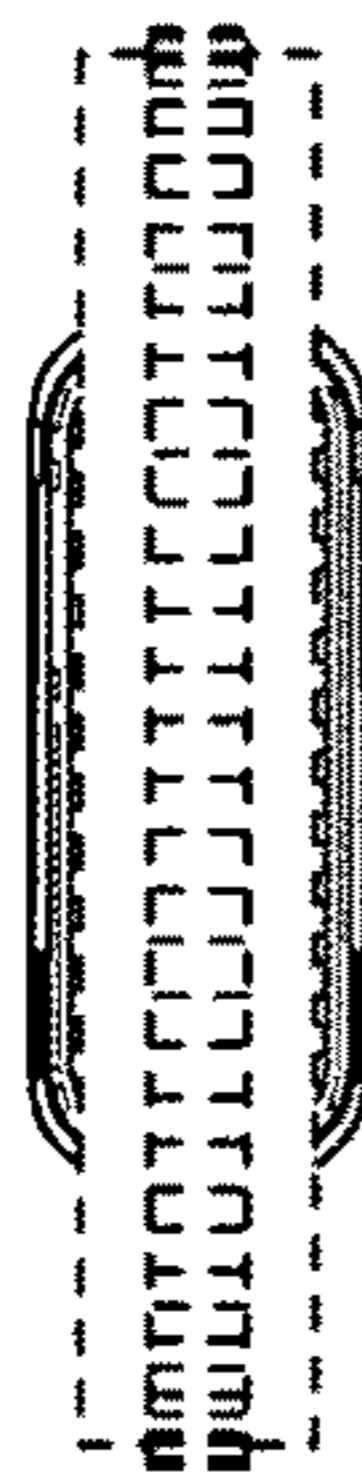


FIG. 5



FIG. 6



FIG. 7