



US00D755025S

(12) **United States Design Patent**  
**Conley**

(10) **Patent No.:** **US D755,025 S**  
(45) **Date of Patent:** **\*\* May 3, 2016**

(54) **TOOL TO MANIPULATE ITEMS WITHIN A TRUCK BED**

(71) Applicant: **John W. Conley**, Surprise, AZ (US)

(72) Inventor: **John W. Conley**, Surprise, AZ (US)

(\*\*) Term: **14 Years**

(21) Appl. No.: **29/524,039**

(22) Filed: **Apr. 15, 2015**

(51) **LOC (10) Cl.** ..... **08-05**

(52) **U.S. Cl.**  
USPC ..... **D8/14**

(58) **Field of Classification Search**  
USPC ..... D8/10, 11, 14, 88, 89, 105, 107;  
D32/49

CPC ..... B25J 1/04; B25J 1/02  
See application file for complete search history.

(56) **References Cited**

**U.S. PATENT DOCUMENTS**

D459,959 S *	7/2002	Fetterman	.....	D8/14
D476,201 S *	6/2003	Atnip	.....	D8/11
D493,680 S *	8/2004	Raymond	.....	D8/14
7,334,825 B1 *	2/2008	Sammon	.....	B25H 5/00 294/24
7,478,851 B2 *	1/2009	Geller	.....	B25G 1/102 16/413

7,673,912 B2 *	3/2010	Breining	.....	B25B 9/00 294/210
8,262,147 B2 *	9/2012	Boyum	.....	A47F 13/06 294/209
D714,600 S *	10/2014	Bond	.....	D8/14
8,915,529 B1 *	12/2014	Bond	.....	B25G 1/04 294/209

\* cited by examiner

*Primary Examiner* — Phillip S Hyder

(74) *Attorney, Agent, or Firm* — Iussa Law, PLLC

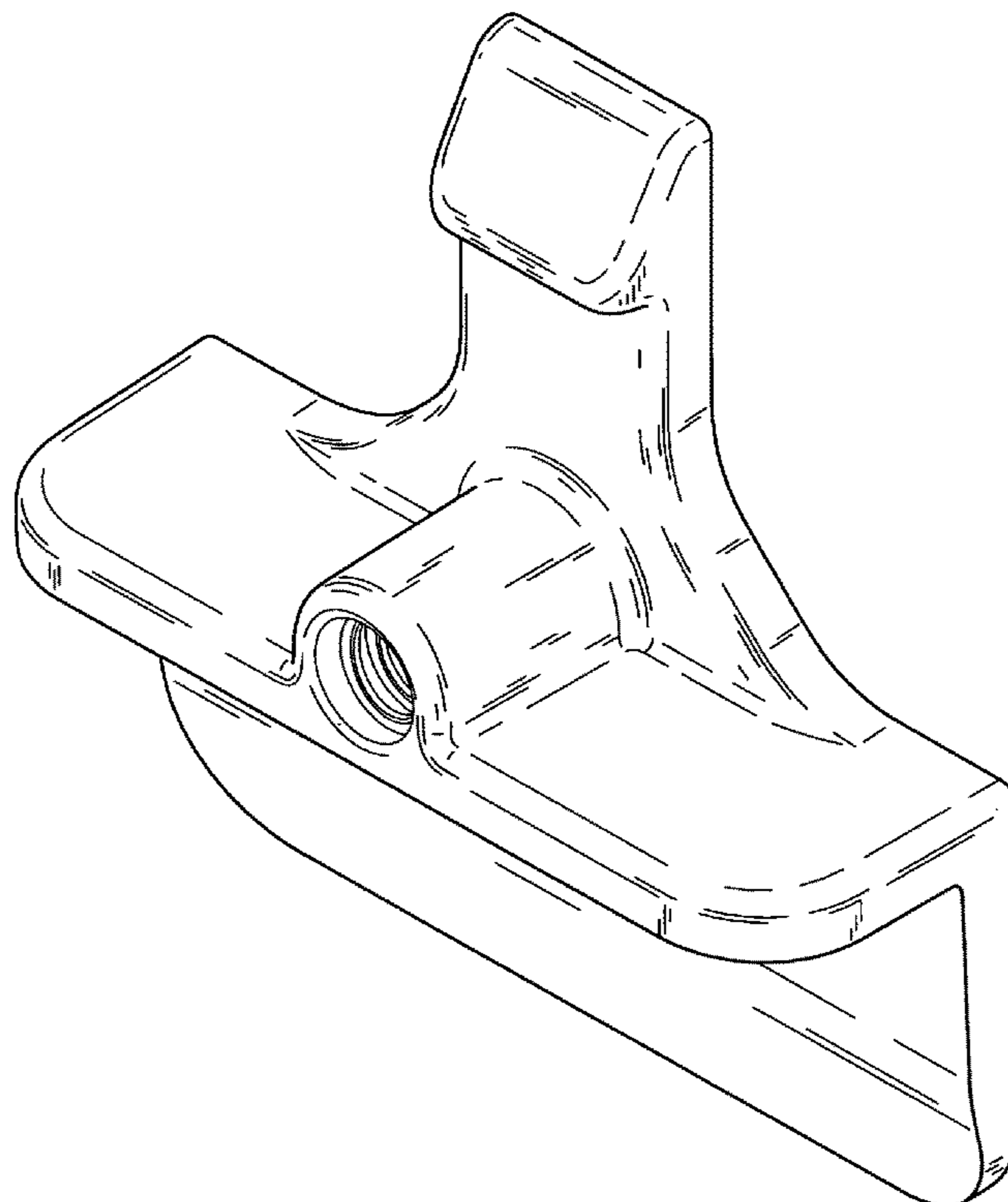
(57) **CLAIM**

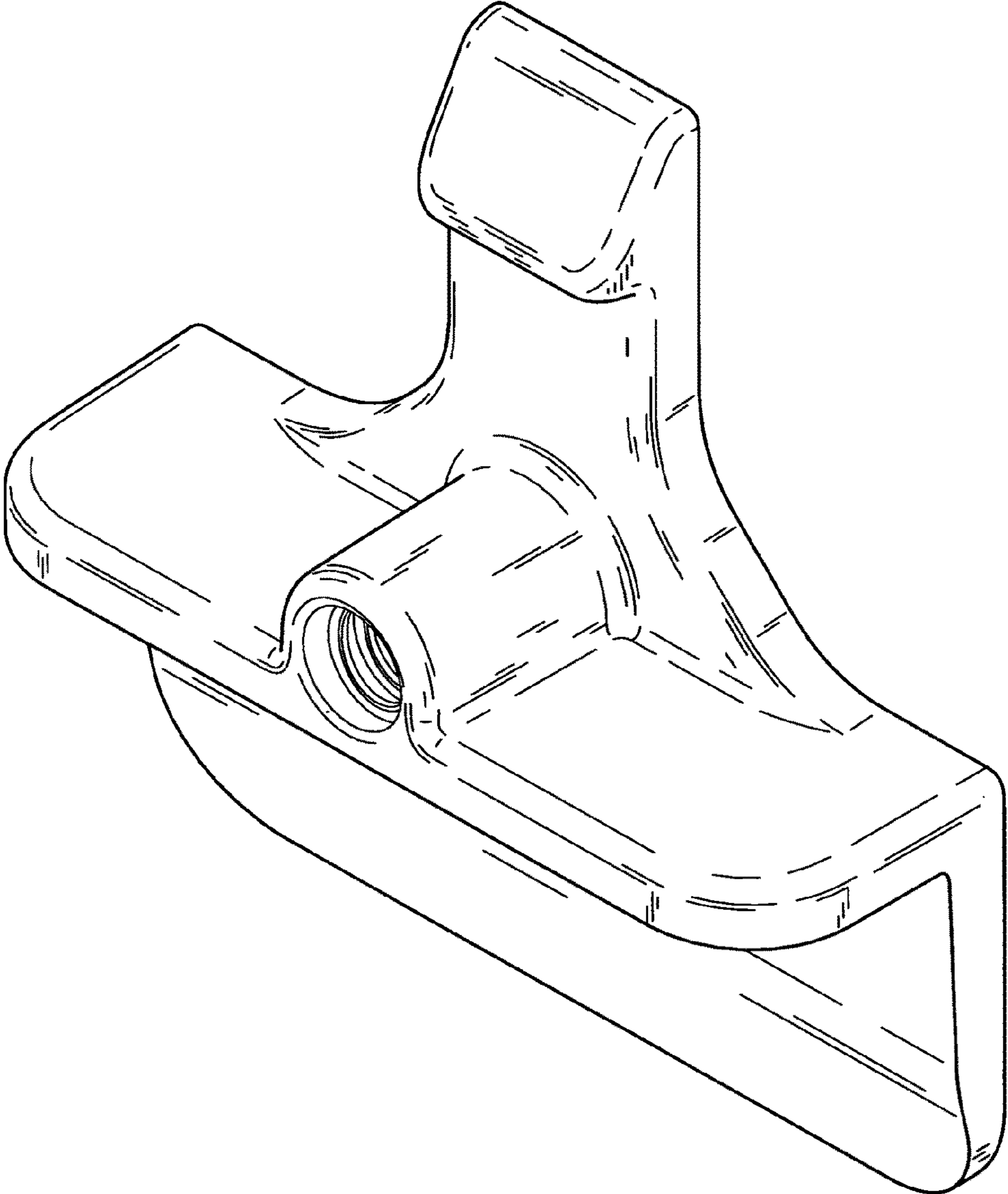
The ornamental design for a tool to manipulate items within a truck bed, as shown.

**DESCRIPTION**

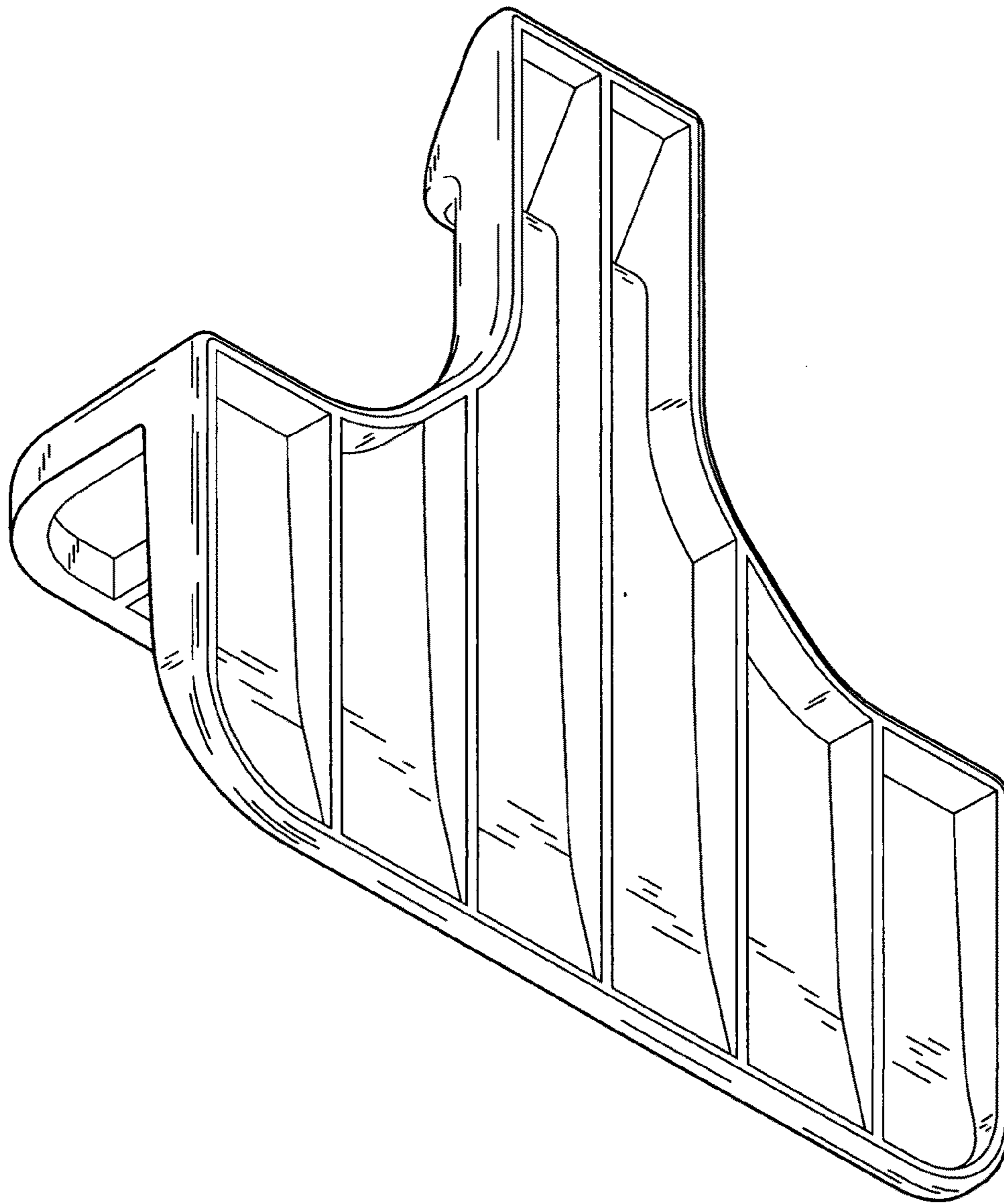
FIG. 1 is a perspective view of a tool to manipulate items within a truck bed showing a top, front, and right side of my new design;  
 FIG. 2 is a perspective view of the tool to manipulate items within a truck bed showing a bottom, rear, and right side of my new design;  
 FIG. 3 is a front view thereof;  
 FIG. 4 is a right side view thereof; a left side view is not shown but is a mirror image of the right side view;  
 FIG. 5 is a top view thereof;  
 FIG. 6 is a bottom view thereof; and,  
 FIG. 7 is a rear view thereof.

**1 Claim, 5 Drawing Sheets**

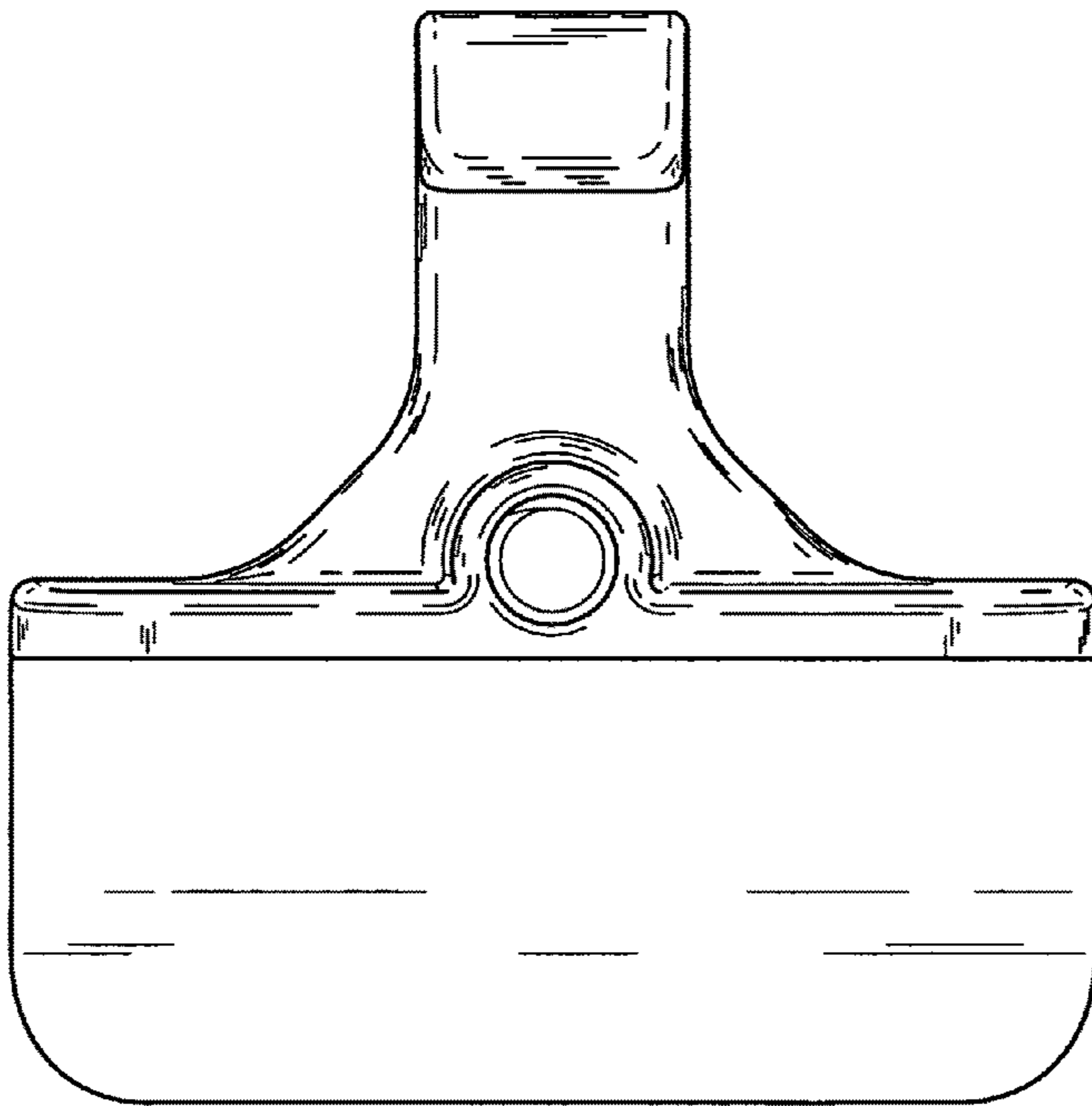




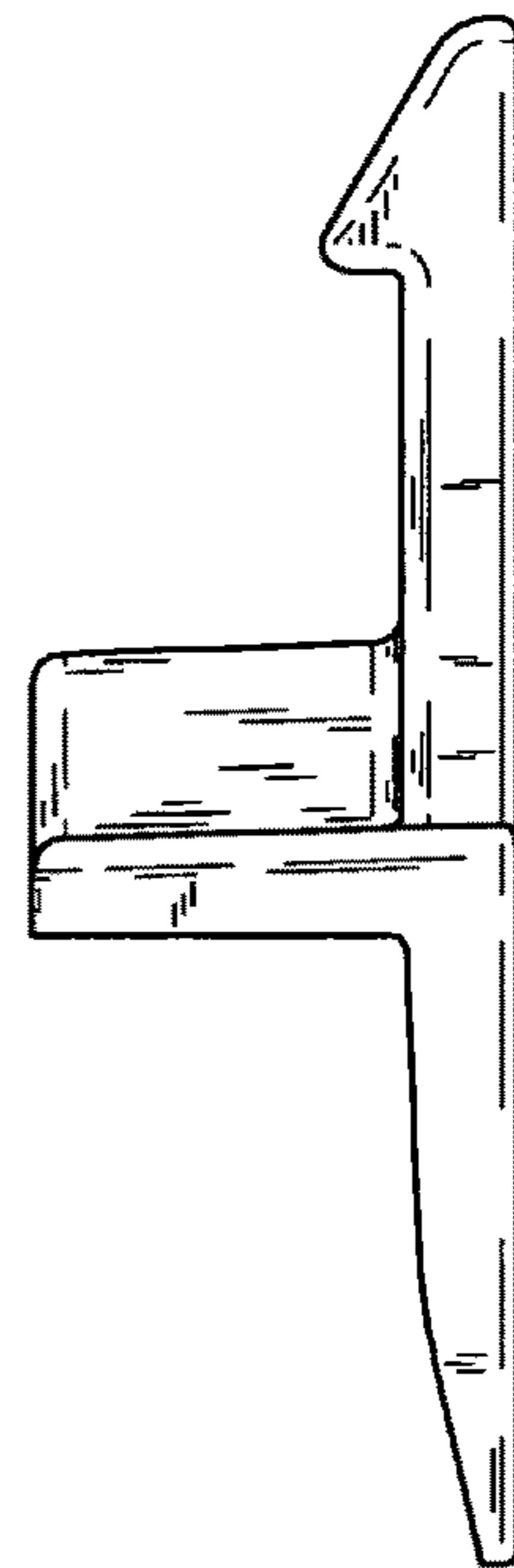
**FIG. 1**



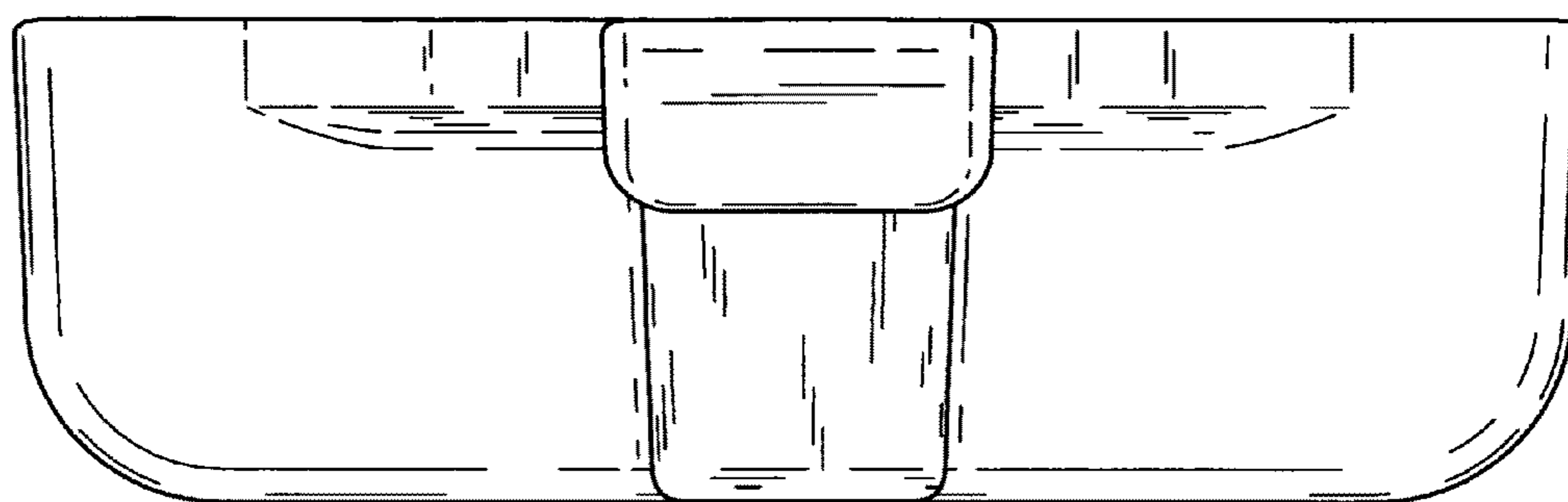
**FIG. 2**



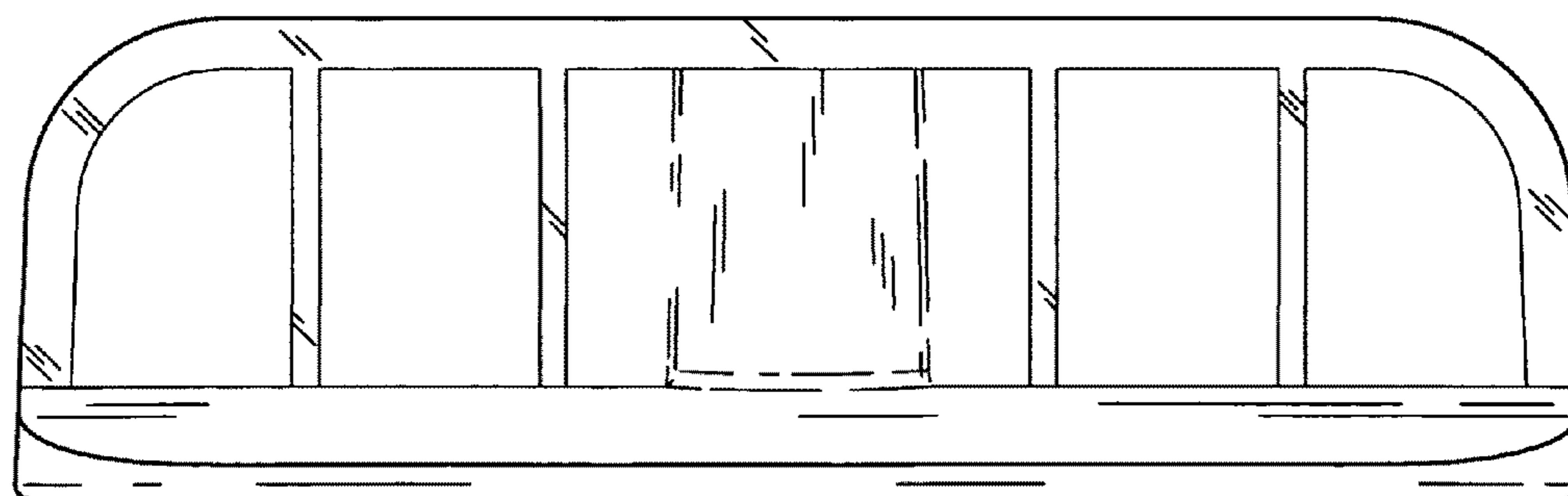
**FIG. 3**



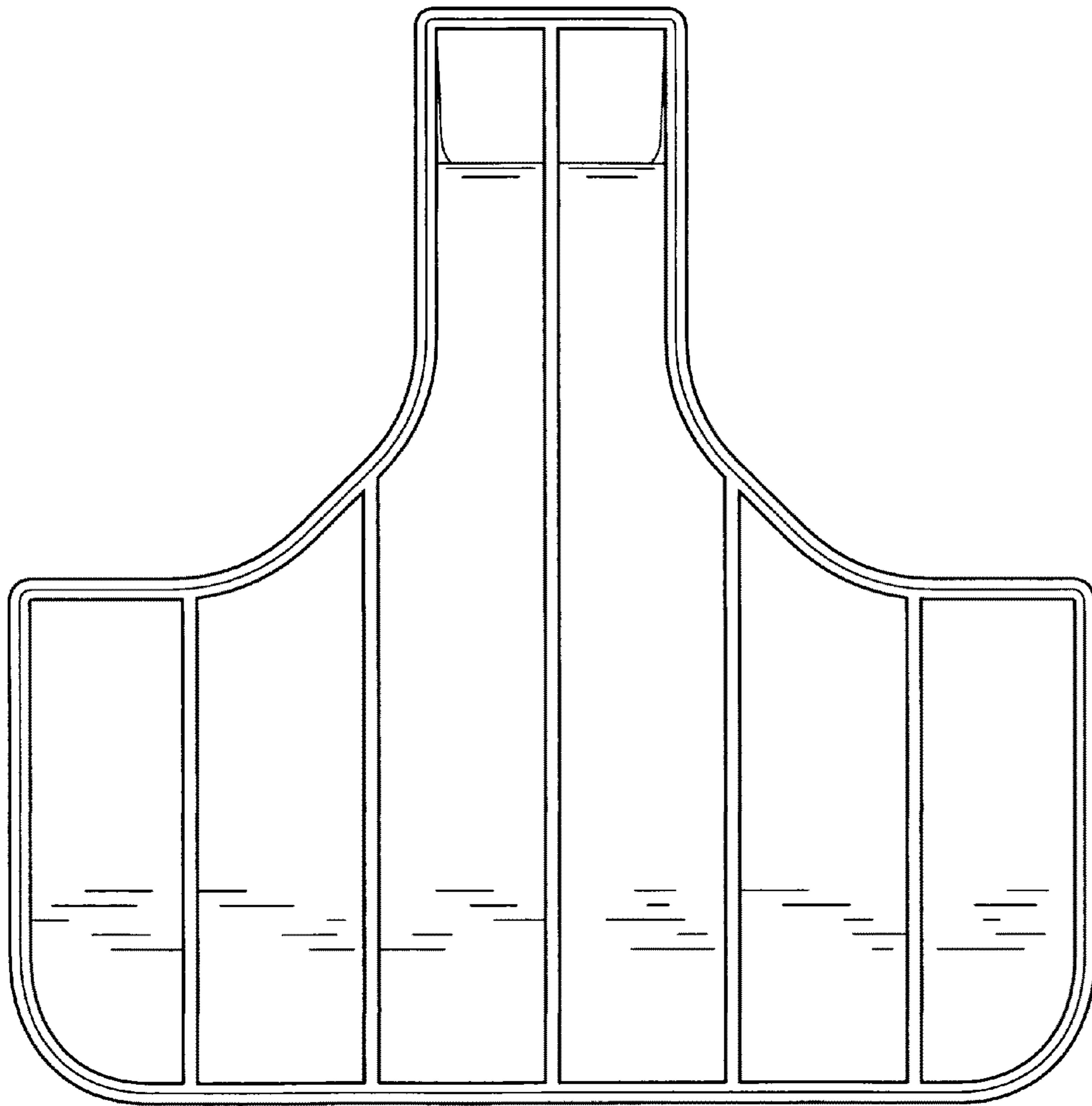
**FIG. 4**



**FIG. 5**



**FIG. 6**



**FIG. 7**