



US00D755024S

(12) **United States Design Patent**  
**Esty**

(10) **Patent No.:** **US D755,024 S**

(45) **Date of Patent:** **\*\* May 3, 2016**

(54) **BATTERING RAM**

(71) Applicant: **Charles Esty**, Foresthill, CA (US)

(72) Inventor: **Charles Esty**, Foresthill, CA (US)

(\*\*) Term: **14 Years**

(21) Appl. No.: **29/476,946**

(22) Filed: **Dec. 18, 2013**

(51) **LOC (10) Cl.** ..... **08-05**

(52) **U.S. Cl.**  
USPC ..... **D8/14**

(58) **Field of Classification Search**  
USPC ..... D8/14, 75, 76, 77, 78, 88, 89, 105  
CPC ..... A62B 3/00; A62B 3/005; B25D 1/00;  
Y10T 29/5393  
See application file for complete search history.

(56) **References Cited**

**U.S. PATENT DOCUMENTS**

2,998,087	A *	8/1961	Iddings	173/102
4,681,171	A *	7/1987	Kee et al.	173/90
D305,418	S *	1/1990	Blake	D12/345
5,067,237	A	11/1991	Holder	
5,177,850	A	1/1993	Hull et al.	
5,329,685	A *	7/1994	Gillespie	29/254
6,035,946	A	3/2000	Studley et al.	
D570,655	S *	6/2008	Meagher et al.	D8/14
D580,732	S *	11/2008	Meagher et al.	D8/107
7,490,813	B1	2/2009	Weddle	

D587,548	S *	3/2009	O'Toole	D8/75
D589,769	S *	4/2009	Timm et al.	D8/14
7,900,538	B2	3/2011	Phillips et al.	
8,015,682	B1	9/2011	Anders	
D655,142	S *	3/2012	Glynn et al.	D8/14
D658,953	S *	5/2012	Wilson	D8/14
2011/0062400	A1 *	3/2011	Lindskog	254/104

**OTHER PUBLICATIONS**

Esty, Charles; Declaration submitted under 37 CFR 1.56, dated Oct. 14, 2014.

\* cited by examiner

*Primary Examiner* — Phillip S Hyder

(74) *Attorney, Agent, or Firm* — Law Office of Andrei D Popovici, PC

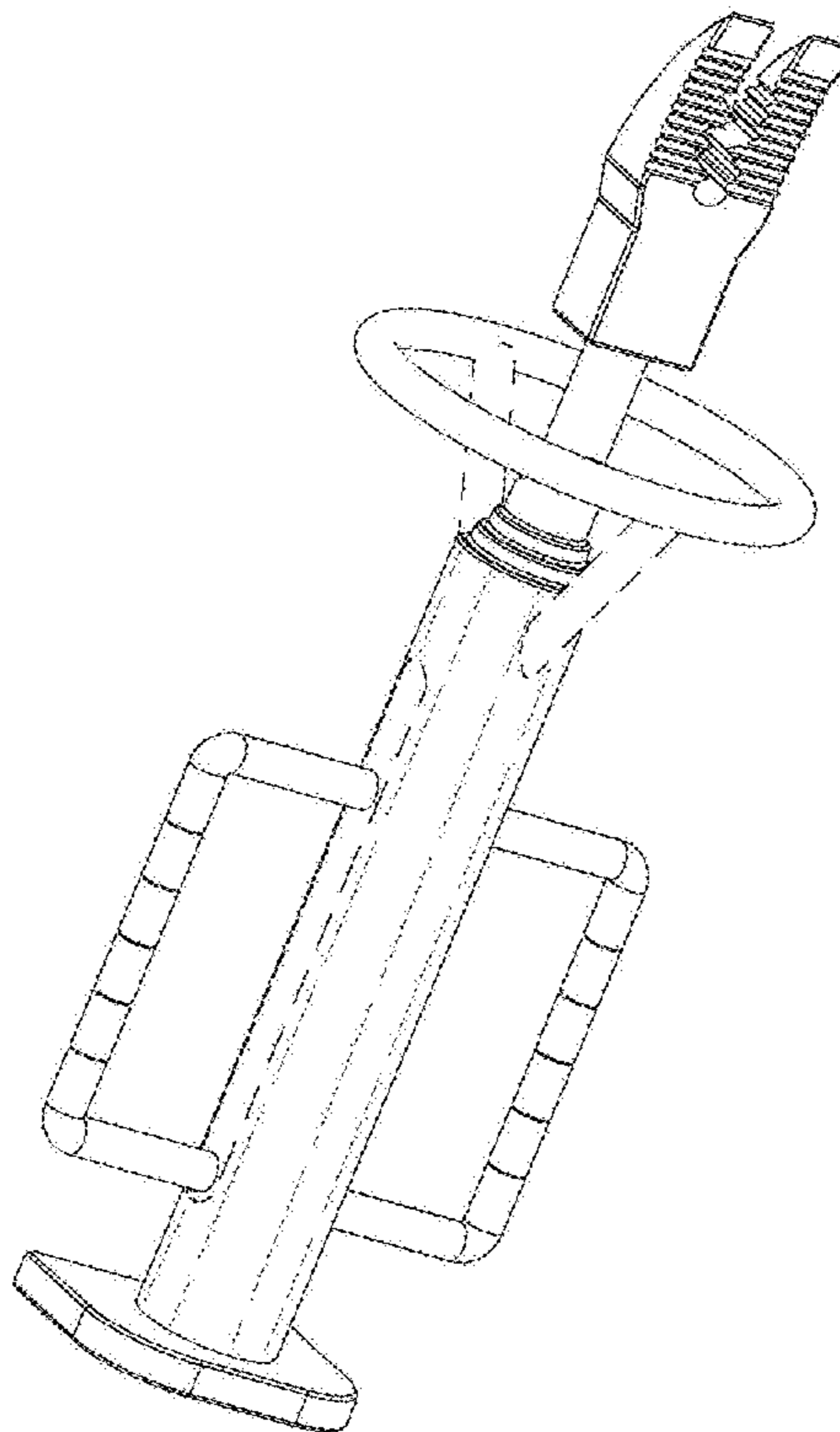
(57) **CLAIM**

What is claimed is the ornamental design for a battering ram, as shown.

**DESCRIPTION**

FIG. 1 shows an isometric view of a battering ram.  
FIG. 2 shows a bottom plan view of a battering ram.  
FIG. 3 shows a top plan of a battering ram.  
FIG. 4 shows a rear elevation view of a battering ram.  
FIG. 5 shows a front elevation view of a battering ram.  
FIG. 6 shows a left side elevation view of a battering ram; and,  
FIG. 7 shows a right side elevation view of a battering ram.  
The broken lines in the Figures show portions of the battering ram that form no part of the claimed design.

**1 Claim, 4 Drawing Sheets**



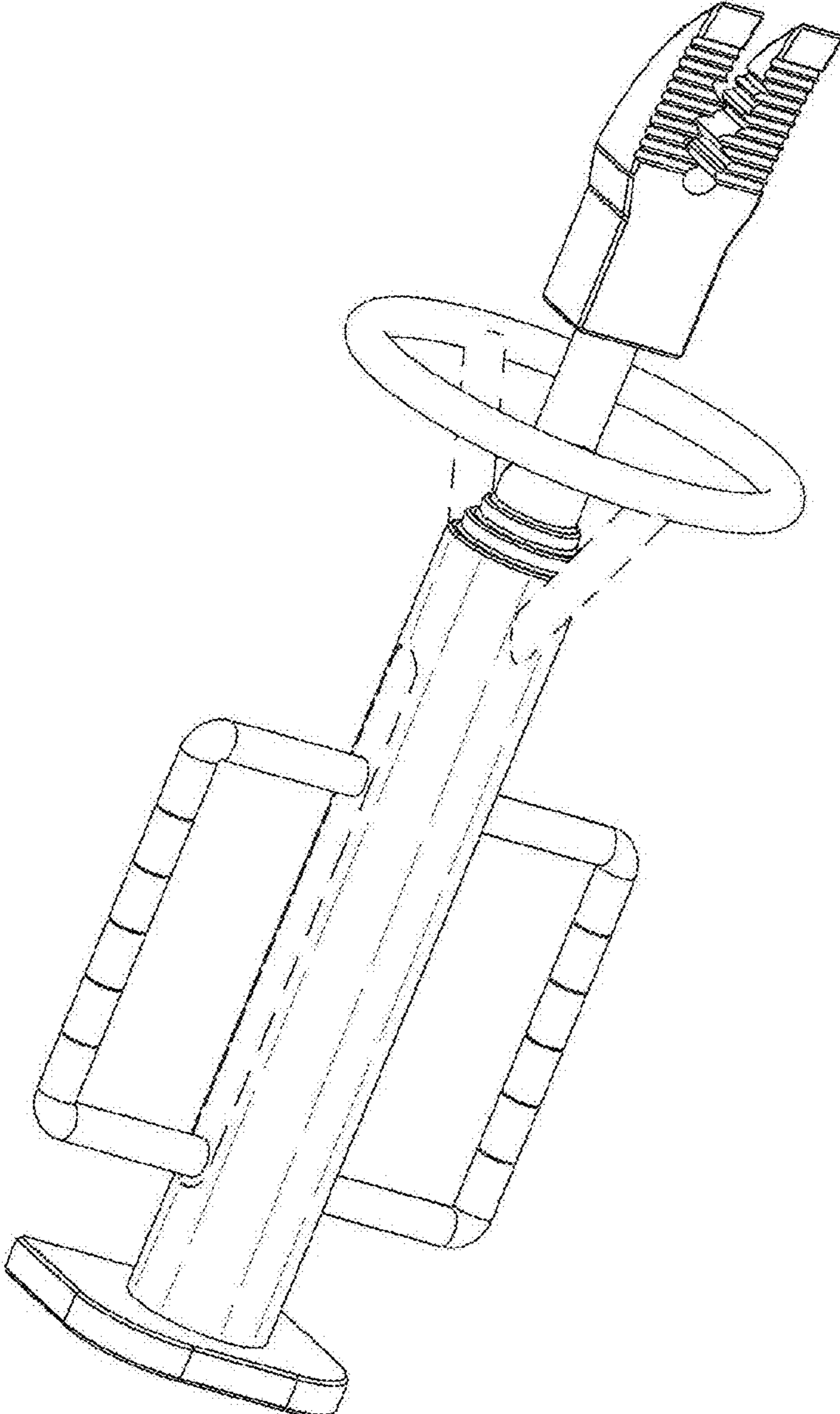


FIG. 1

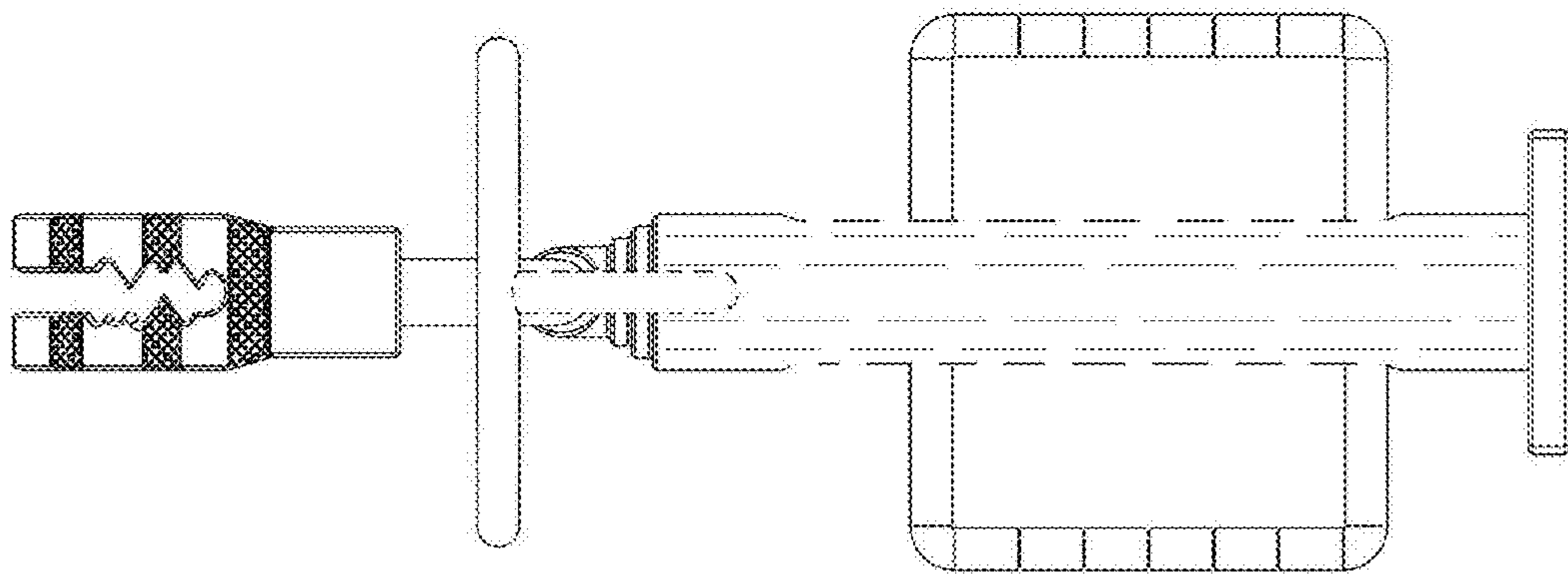


FIG. 2

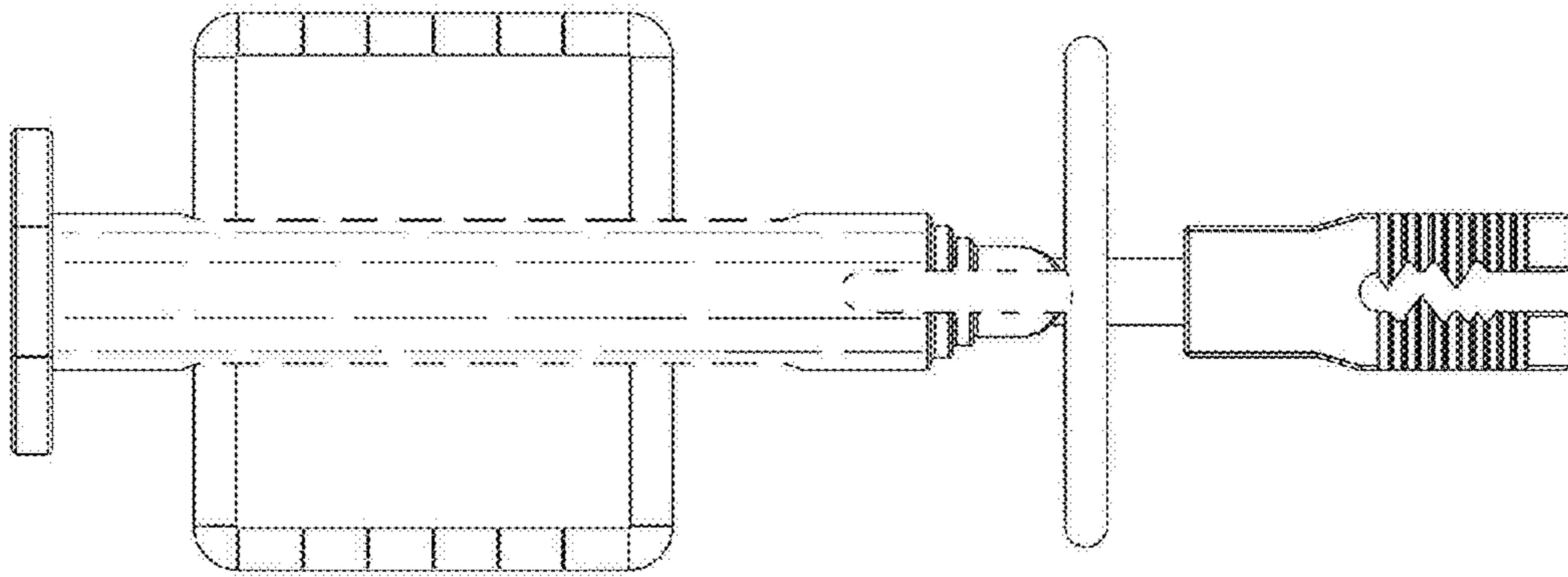


FIG. 3

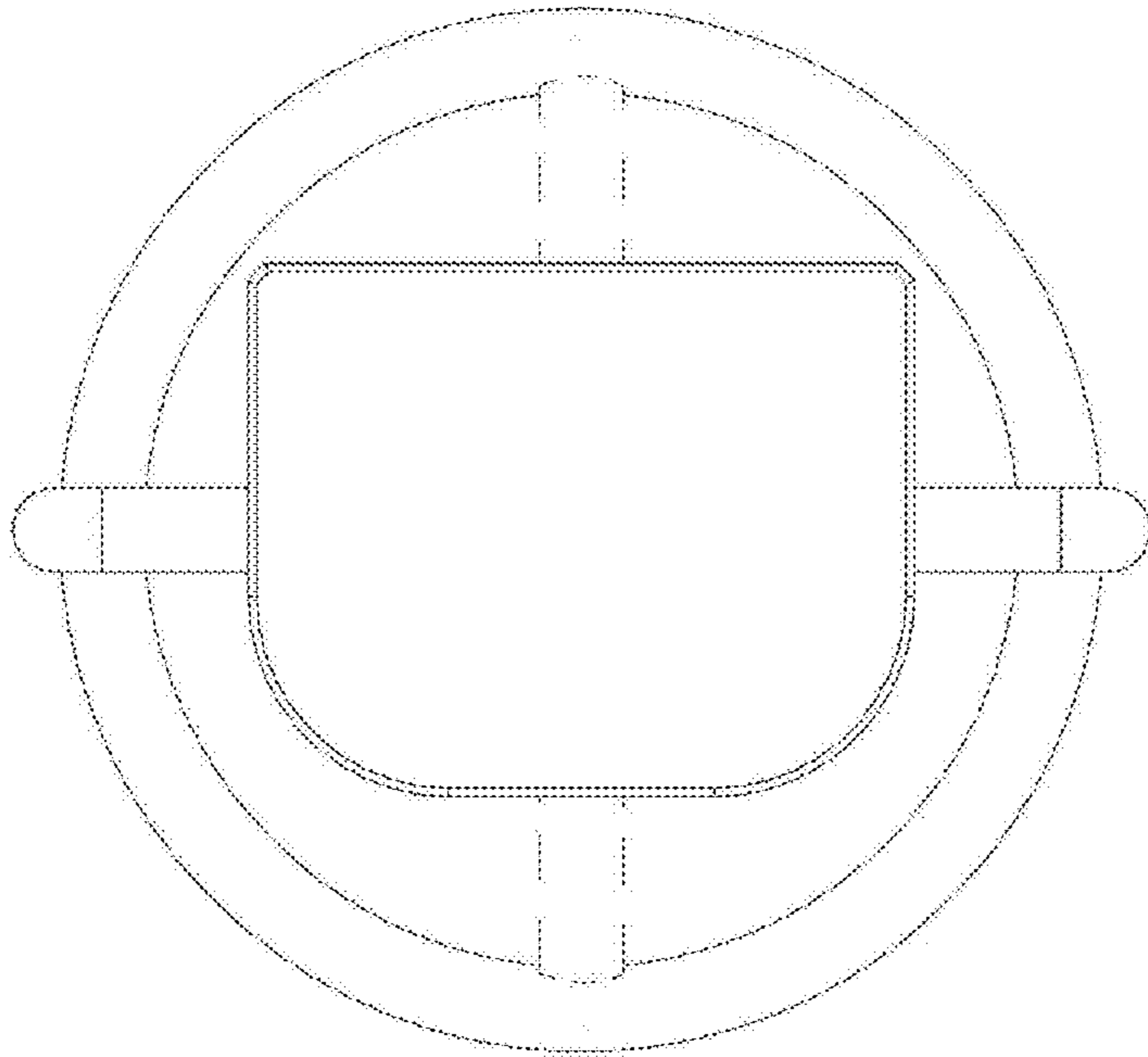


FIG. 4

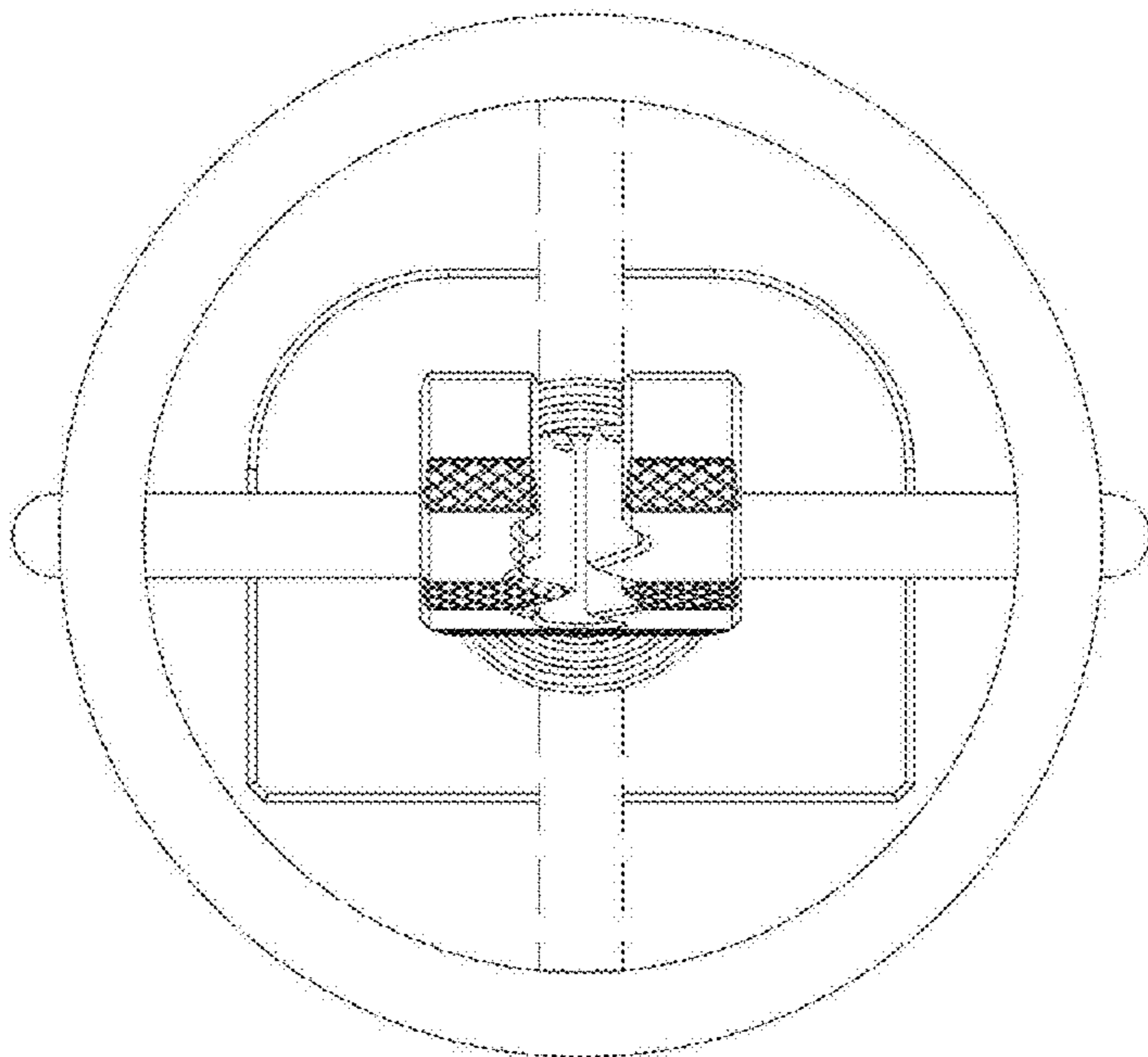


FIG. 5

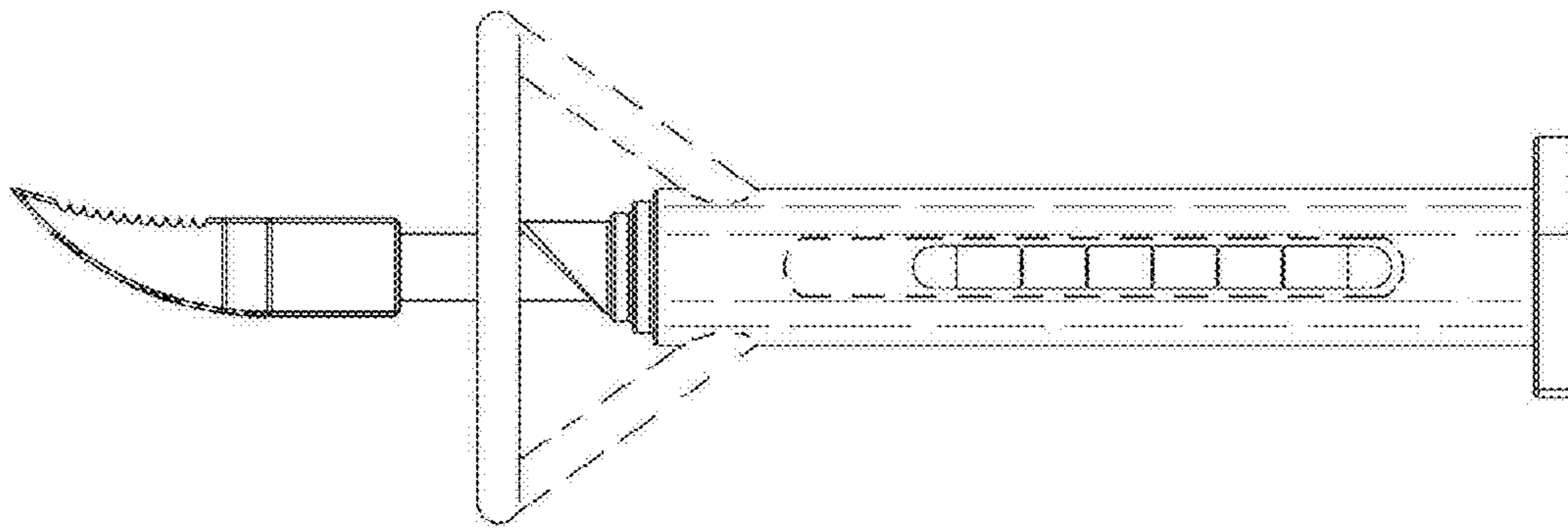


FIG. 6

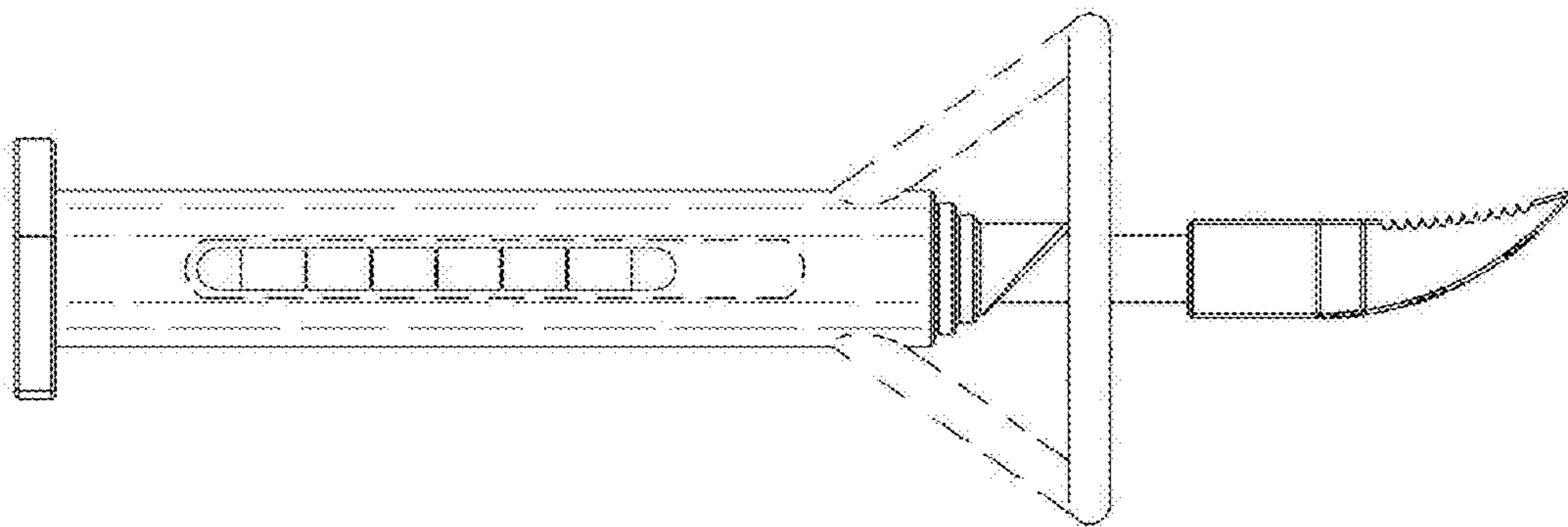


FIG. 7